



AC6520 Series

Uncooled 2.5 Gbps Receiver in 4-pin ROSA Package



Features:

- Wide dynamic range with differential output
- Low power +3.3 V operation
- Wide operation temperature (-40°C to +85°C)
- High reliability
- Suitable for 2.5 Gbps applications

Applications: Telecom and Datacom

Electrical/Optical Characteristics (T_c=25°C)

Parameter	Symbol	Min.	Typ.	Max.	Unit
Power Supply	V _{cc}	3.0	3.3	3.6	V
Supply Current ⁽¹⁾	I _{cc}		42	58	mA
Bandwidth	BW	1.5		2.4	GHz
Low-Frequency Cut Off	LF		50		kHz
Rise Time/Fall Time ^(2,3)	Tr/Tf			200	ps
Wavelength	λ	1100		1650	nm
Single Ended Output Impedance	R _o		50		Ohms
Overload ^(3,4)	P _{over}	0	+3		dBm
Sensitivity ^(3,4)	P _{sens}		-23		dBm
Conversion Gain ⁽⁵⁾			8		kV/W
Differential Output Voltage ⁽⁶⁾	V _{diff}		350	500	mVpp

(1) No Loads

(2) 20% to 80% at -18 dBm input

(3) λ=1550 nm, 0.9A/W

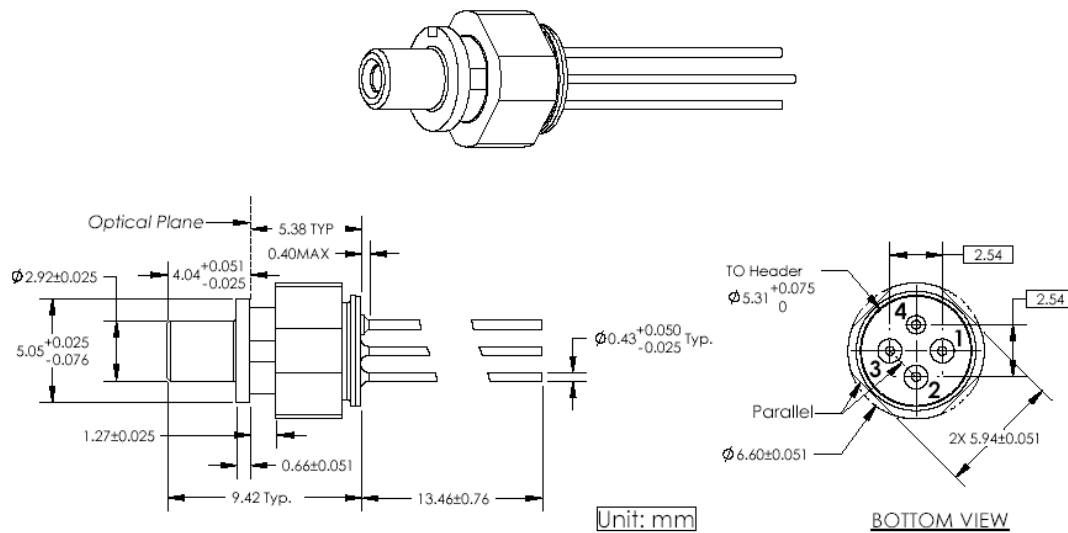
(4) BER = 10⁻¹², PRBS 2³¹-1, ER =10 dB

(5) Single ended output voltage (peak to peak) to optical power swing (OMA)

(6) Into 50 Ohms

Absolute Maximum Ratings:

Parameter	Symbol	Min	Max	Unit
Case Temperature	T _C	-40	+85	°C
Storage Temperature	T _{stg}	-40	100	°C
Humidity Range	RH	5	95	%
Amplifier Bias Voltage	V _{ccmax}		5	V
Input Optical Power	P _{max}		+6	dBm
Load Solder Temp. and Time			260 °C, 10sec	

Outline Drawing (Customer special order is available):**Pin-out Options:****X= B Pin-out Assignment Options (Customer specific pin-out available)**

4-pin Pin-out Assignment	
Pin #	"B"
1	Dout-P
2	Vcc
3	Dout-N
4	GND

Ordering Information:**AC6520-W-YZ**

W = Pin-out: "B" see table. (Custom pin-out available)

YZ = Receptacle type: "L1" for LC Plastic, "L2" for LC Metal, "S1" for SC plastic

Example: **AC6520-B-L1** is an Archcom 4-pin, 2.5 Gbps ROSA with Type-B pin-out with low cost plastic LC receptacle.

Archcom Technology, Inc. reserves the right to make changes in design, specifications and other information at any time without prior notice. Information in this data sheet is believed to be reliable. However, no responsibility is assumed for possible inaccuracy or omission.