

Description

The ACE4054 is a single cell, fully integrated constant current (CC) / constant voltage (CV) Li-ion battery charger. Its compact package with minimum external components requirement makes the ACE4054 ideal for portable applications.

No external sense resistor or blocking diode is necessary for the ACE4054. Build-in thermal feedback mechanism regulates the charge current to control the die temperature during high power operation or at elevated ambient temperature.

The ACE4054 has a pre-charge function for trickle charging deeply discharged batteries. The fast charge current can be programmed by an external resistor. CV regulation mode is automatically enabled once the battery's charging curve reaches the constant voltage portion. The output current then decays and is finally terminated once the charge current drops to 1/10th of the programmed value. The ACE4054 keeps monitoring the battery voltage and enables a new charge cycle once the voltage drops by 150mV below the CV value.

Power supply state is constantly monitored and the battery drain current is reduced to minimum value automatically when the ACE4054 sensed a lack of input power. In its shutdown mode, the ACE4054 can reduce the supply current to less than 25 μ A. A status pin outputs a logic HIGH/LOW to indicate the charging status and the presence of power supply.

Other features include charge current monitor, under-voltage lockout.

Features

- Standalone Capability with no Requirement of External MOSFET, Sense Resistor or Blocking Diode
- Complete Linear Charger in Compact Package for Single Cell Lithium-Ion Batteries
- Programmable Pre-charge, Fast Charge and Termination Current
- Constant-Current/Constant-Voltage Operation with Thermal Regulation to Maximize Charge Rate Without Risk of Overheating
- Charges Single Cell Li-Ion Batteries Directly from USB Port
- Preset 4.2V Charge Voltage with $\pm 1\%$ Accuracy
- Automatic Recharge
- Charge Status Output Pin
- C/10 Charge Termination
- 25 μ A Supply Current in Shutdown
- 2.9V Trickle Charge Threshold
- Soft-Start Limits Inrush Current
- Available in SOT-23-5 Package

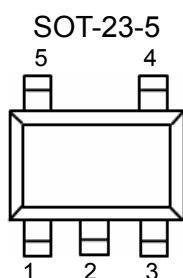
Application

- Cellular Telephones, PDAs, MP3 Players
- Charging Docks and Cradles
- Bluetooth Applications

Absolute Maximum Ratings

Parameter	Symbol	Max	Unit
VCC		-0.3 ~ 6.5	V
PROG		-0.3 ~ VCC+0.3	V
BAT		-0.3 ~ 5	V
$\overline{\text{CHRG}}$		-0.3 ~ 6.5	V
BAT Short-Circuit Duration		Continuous	
PROG Pin Current		600	μA
Maximum Junction Temperature		125	°C
Operating Ambient Temperature Range		-40 ~ 85	°C
Storage Temperature Range		-40 ~ 125	°C

Packaging Type



Pin	SOT-23-5
CHRG	1
GND	2
BAT	3
VCC	4
PROG	5

Pin Description

CHRG (Pin 1):Open-Drain Charge Status Output. The CHRG pin outputs low when the battery is charging. Upon the completion of the charge cycle, a weak pull-down current to the pin indicates an “AC present” condition. When the ACE4054 detects an under voltage lockout condition, CHRG is forced high impedance.

GND (Pin 2):Ground.

BAT (Pin 3):Charge Current Output. This pin provides charge current to the battery and regulates the final float voltage to 4.2V which is set by an internal precision resistor divider.

VCC (Pin 4):Positive Input Supply. Needs to be bypassed with at least a 1μF capacitor. When input voltage drops to within 30mV of the BAT pin voltage, the ACE4054 switches to shutdown mode.

PROG (Pin 5):Program, Monitor the charge current and Shutdown. This pin set to 1V in constant-current mode. The charge current is programmed by connecting a 1% resistor, RPROG, to GND pin. The charge current can be calculated using the following formula:

$$I_{\text{BAT}} = (V_{\text{PROG}} / R_{\text{PROG}}) \cdot 1000$$

The PROG pin can also be used to switch the charger to shutdown mode by disconnecting the program resistor from ground. This results in a 3μA current to pull the PROG pin to a high level shutdown threshold voltage, thus stop the charging and reduce the supply current to 25μA. This pin is also clamped to approximately 2.4V. A higher voltage beyond this value will draw currents as high as 1.5mA. Device normal operation can be resumed by reconnecting the RPROG resistor to ground.

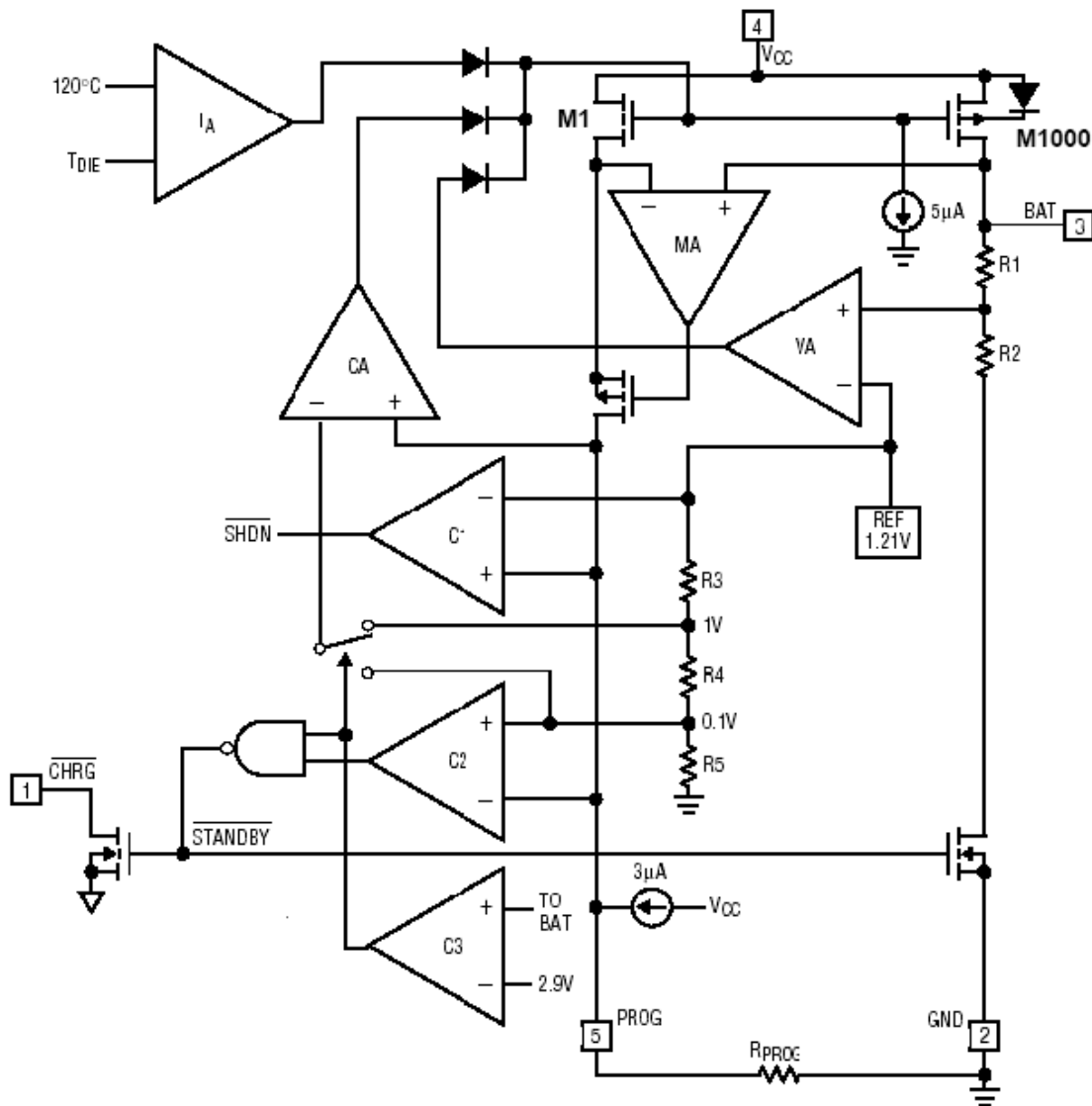
Ordering information

Selection Guide

ACE4054 XX + H

- └─ Halogen - free
- └─ Pb - free
- └─ BN : SOT-23-5

Block Diagram



Electrical Characteristics

VCC=5V, TA=25°C, RPROG=10K, unless otherwise note.

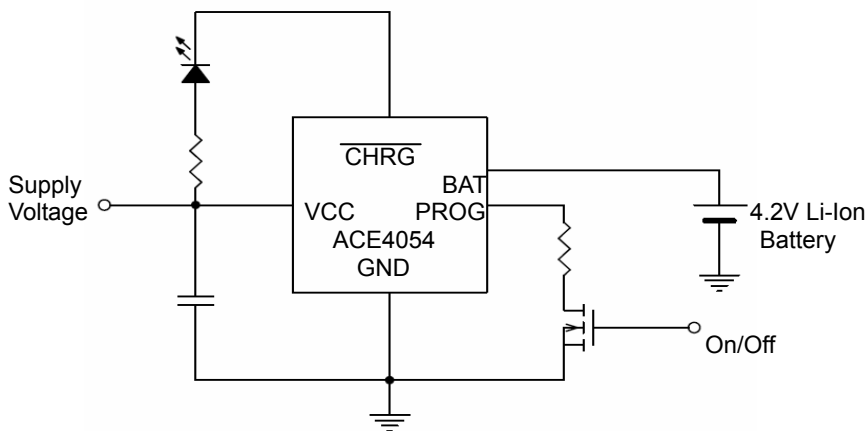
Parameter	Symbol	Conditions	Min	Typ	Max	Units
Input Supply Voltage	VCC		4.25		6.0	V
Input Supply Current	ICC	Charge Mode(Note 2)		300	2000	μA
		Standby Mode (Charge Terminated)		200	500	μA
		Shutdown Mode (RPROG Not Connected, VCC<VBAT, or VCC<VULO)		25	50	μA
Regulated Output (Float) Voltage	VFLOAT	IBAT=40mA	4.158	4.2	4.242	V
BAT Pin Current	IBAT	Current Mode	93	100	107	mA
		RPROG=2K, Current Mode	465	500	535	mA
		Standby Mode, VBAT=4.2V	0	-2.5	-6	μA
		Shutdown Mode (RPROG Not Connected)		1	5	μA
		Sleep Mode, VCC=0V		1	5	μA
Trickle Charge Current	ITRIKL	VBAT<VTRIKL, RPROG=2K	20	45	70	mA
Trickle Charge Threshold Voltage	VTRIKL	VBAT Rising	2.8	2.9	3	V
Trickle Charge Hysteresis Voltage	VTRHYS		60	80	110	mV
VCC Undervoltage Lockout Threshold	VUV	From VCC Low to High	3.7	3.8	3.92	V
VCC Undervoltage Lockout Hysteresis	VUVHYS		150	200	300	mV
Manual Shutdown Threshold Voltage	VMSD	PROG Pin Rising	1.15	1.21	300	V
		PROG Pin Falling	0.9	1	1.1	V
VCC-VBAT Lockout Threshold Voltage	VASD	VCC from Low to High	70	100	140	mV
		VCC from High to Low	5	30	50	mV
C/10 Termination Current Threshold	ITERM	Note 2	0.085	0.1	0.115	mA/ mA
PROG Pin Voltage	VPROG	Current Mode, VBAT=4V	0.93	1	1.07	V
CHRG Pin Weak Pull-Down Current	ICHRG	VCHRG=5V	8	20	35	μA
CHRG Pin Output Low Voltage	VCHRG	ICHRG=5mA		0.35	0.6	V
Recharge BAT Threshold Voltage	VRECHRG	VFLOAT-VRECHRG	100	150	200	mV
Junction Temperature	TLIM			120		°C

in Constant Temperature Mode						
Power FET "ON" Resistance (Between VCC and BAT)	RON		0.25			Ω
Soft-Start Time	Tss	IBAT=0 to IBAT=100V/RPROG	100			μs
Recharge Comparator Filter Time	tRECHARGE	VBAT High to Low	0.5	5	20	Ms
Termination Comparator Filter Time	tTERM	IBAT Falling Below ICHG/10	400	1000	2500	μs
PROG Pin Pull-Up Current	I _{PROG}			3		μA

Note :

1. Supply current includes PROG pin current (approximately 100 μA) but does not include any current delivered to the battery through the BAT pin (approximately 100mA)
2. ITREM is expressed as a fraction of measured full charge current with indicated PROG resistor

Application Circuit

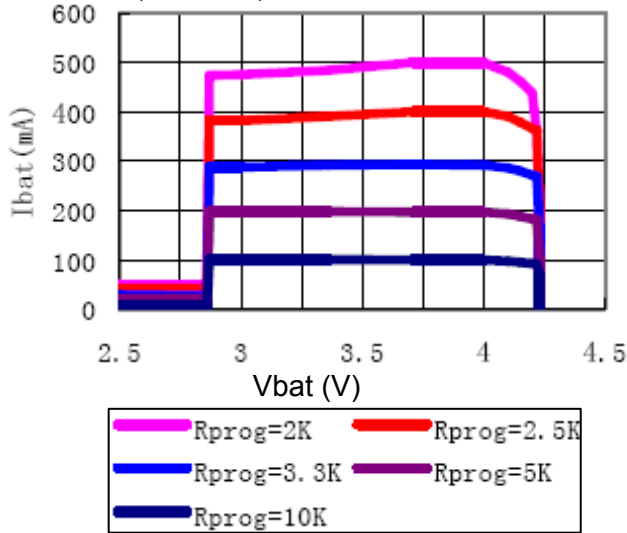


Typical Characteristic

VCC=5V, TA=25°C, unless otherwise noted

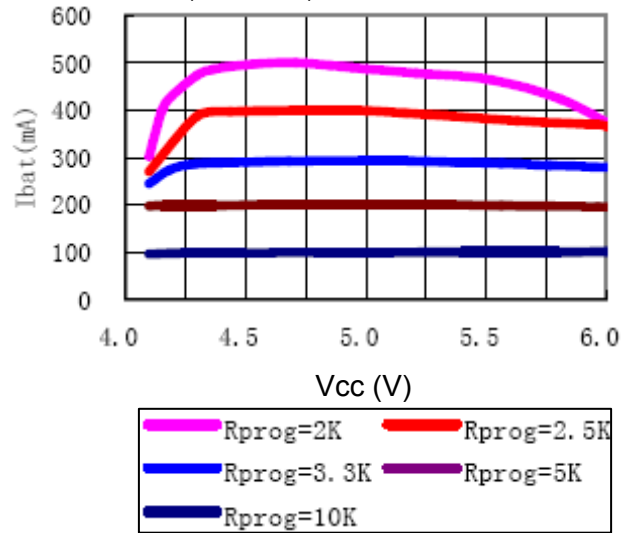
Charge Current vs Battery Voltage

(VCC=4.5V)

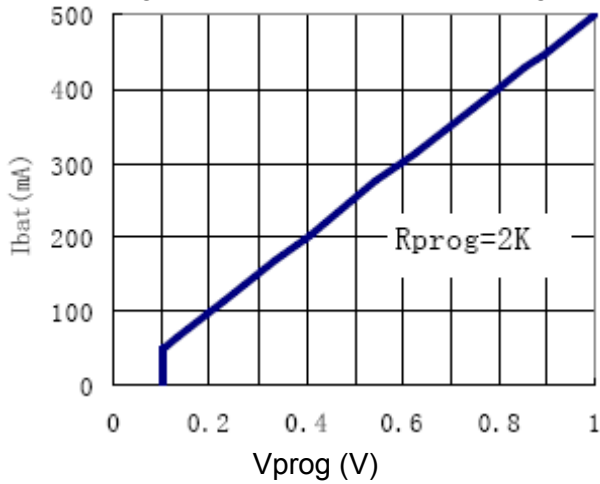


Charge Current vs Supply Voltage

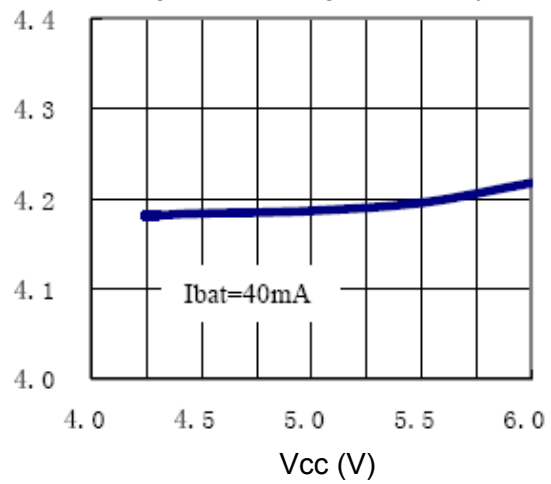
(Vbat=4.0V)



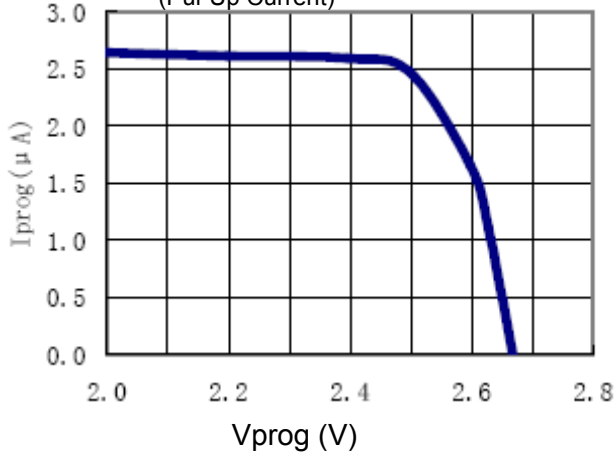
Charge Current vs PROG Pin Voltage



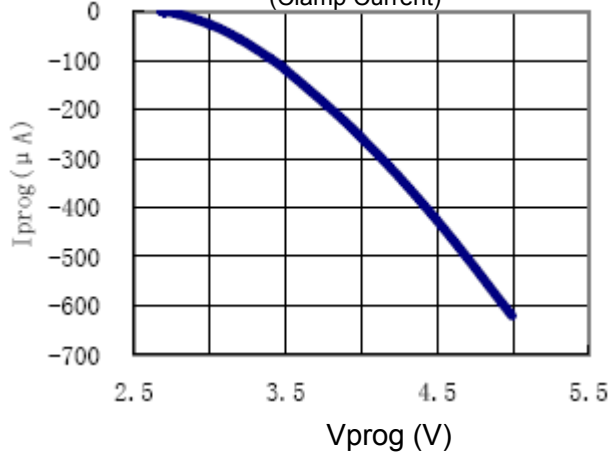
Regulated Voltage vs Supply Voltage



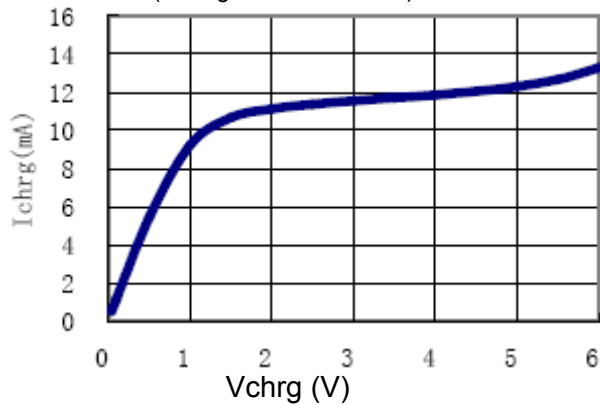
PROG Pin Current vs PROG Pin Voltage
(Pul-Up Current)



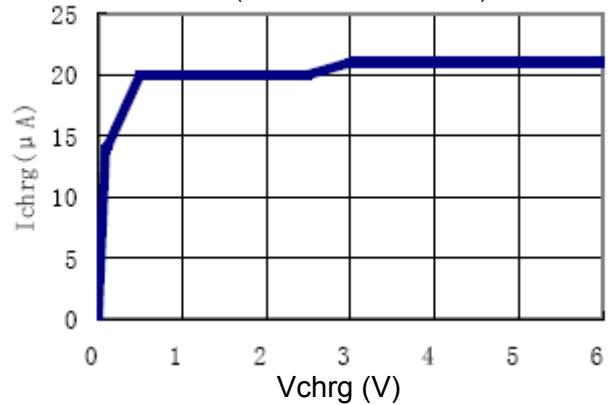
PROG Pin Current vs PROG Pin Voltage
(Clamp Current)



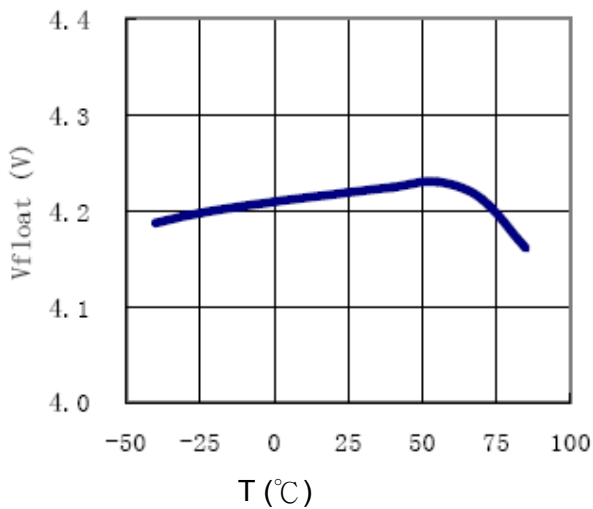
CHRG Pin Current vs CHRG Pin Voltage
(Strong Pull Down State)



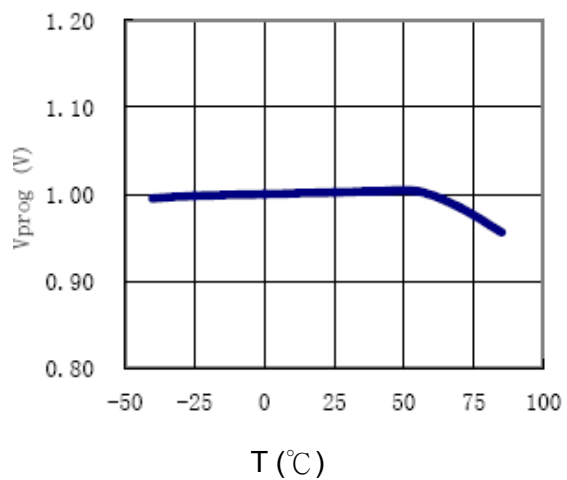
CHRG Pin Current vs CHRG Pin Voltage
(Weak Pull Down State)



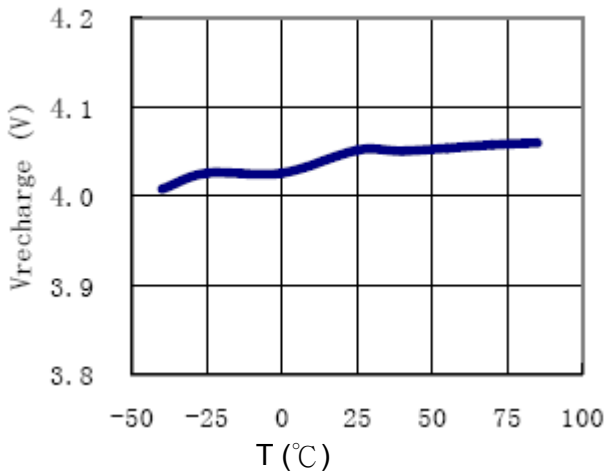
Regulated Voltage vs Temperature



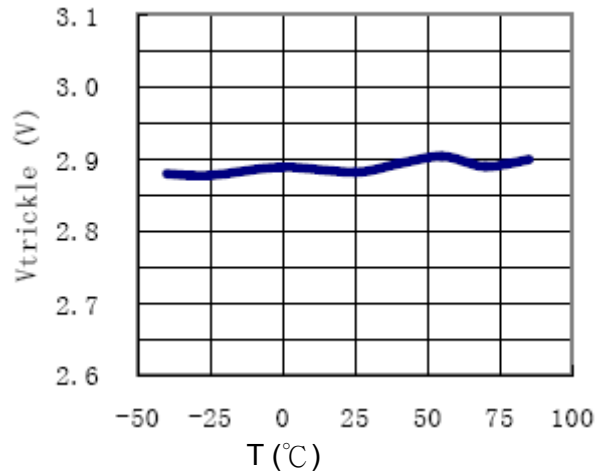
PROG Pin Voltage vs Temperature



Recharge Voltage vs Temperature



Trickle Charge Voltage vs Temperature



Detailed description

The ACE4054 is a single cell, fully integrated constant current (CC) / constant voltage (CV) Li-ion battery charger. It can deliver up to 600mA of charge current with a final float voltage accuracy of 1%. The ACE4054 has a build-in thermal regulation circuitry that ensures its safe operation. No blocking diode or external current sense resistor is required; hence reduce the external components for a basic charger circuit to two. The ACE4054 is also capable of operating from a USB power source.

Normal Charge Cycle

The ACE4054 initiates a charge cycle once the voltage at the VCC pin rises above the UVLO threshold level. A 1% precision resistor needs to be connected from the PROG pin to ground. If the voltage at the BAT pin is less than 2.9V, the charger enters trickle charge mode. In this mode, the charge current is reduced to nearly 1/10 the programmed value until the battery voltage is raised to a safe level for full current charging.

The charger switches to constant-current mode as the BAT pin voltage rises above 2.9V, the charge current is thus resumed to full programmed value. When the final float voltage (4.2V) is reached the ACE4054 enters constant-voltage mode and the charge current begins to decrease until it drops to 1/10 of the preset value and ends the charge cycle.

Programming Charge Current

The charge current is programmable by setting the value of a precision resistor connected from the PROG pin to ground. The charge current is 1000 times of the current out of the PROG pin. The program resistor and the charge current are calculated using the following equations:

$$R_{PROG} = \frac{1000V}{I_{CHG}}$$

The charge current out of the BAT pin can be determined at any time by monitoring the PROG pin voltage using the following equation:

$$I_{BAT} = \frac{V_{PROG}}{R_{PROG}} \cdot 1000$$

Charge Termination

The ACE4054 keeps monitoring the PROG pin during the charging process. It terminates the charge cycle when the charge current falls to 1/10th the programmed value after the final float voltage is reached. When the PROG pin voltage falls below 100mV for longer than tTERM (typically 1ms), charging is terminated. The charge current is latched off and the ACE4054 enters standby mode, where the input supply current drops to 200 μ A. (Note: C/10 termination is disabled in trickle charging and thermal limiting modes).

During charging, the transient response of the circuit can cause the PROG pin to fall below 100mV temporarily before the battery is fully charged, thus can cause a premature termination of the charge cycle. A 1ms filter time (tTERM) on the termination comparator can prevent this from happening. Once the average charge current drops below 1/10th the programmed value, the ACE4054 terminates the charge cycle and ceases to provide any current through the BAT pin. In this state, all loads on the BAT pin must be supplied by the battery.

The ACE4054 constantly monitors the BAT pin voltage in standby mode and resume another charge cycle if this voltage drops below the recharge threshold (VRECHRG). User can also manually restart a charge cycle in standby mode either by removing and then reapplied the input voltage or restart the charger using the PROG pin. A diagram of typical charge cycle is shown in figure 1.

Charge Status Indicator (CHRG)

There are three different states of the charge status output, namely strong pull-down (\sim 10mA), weak pull-down (\sim 20 μ A) and high impedance. The strong pull-down state indicates that the ACE4054 is in a charge cycle. When the charge cycle has terminated, the pin state is then determined by undervoltage lockout conditions. If VCC meets the UVLO conditions, device is in weak pull-down states and is ready to charge. If the difference between Vcc and BAT pin voltage is less than 100mV or insufficient voltage is applied to the VCC pin, High impedance appears on the charge status pin.

Thermal Limiting

Build-in feedback circuitry mechanism can reduce the value of the programmed charge current once the die temperature tends to rise above 120°C, hence prevents the temperature from further increase and ensure device safe operation.

Undervoltage Lockout (UVLO)

Build-in undervoltage lockout circuit monitors the input voltage and keeps the charger in shutdown mode until VCC rises above the shutdown mode until VCC rises above the undervoltage lockout threshold. The UVLO circuit has a built-in hysteresis of 200mV. Furthermore, to protect against reverse current in the power MOSFET, the UVLO circuit keeps the charger in shutdown mode if VCC falls to within 30mV of the battery voltage. If the UVLO comparator is tripped, the charger will not come out of shutdown mode until VCC rises 100mV above the battery voltage.

Manual Shutdown

Floating the PROG pin by removing the resistor from PROG pin to ground can put the device in shutdown mode. The battery drain current is thus reduced to less than 5 μ A and the supply current to less than 50 μ A. Reconnecting the resistor back will restart a new charge cycle.

Once manually shutdown, the CHRG pin is in a weak pull-down state if VCC is above UVLO voltage. The CHRG pin is in a high impedance state if the ACE4054 is in undervoltage lockout mode.

Automatic Recharge

After the termination of the charge cycle, the ACE4054 constantly monitors the BAT pin voltage and starts a new charge cycle when the battery voltage falls below 4.05V, keeping the battery at fully charged condition. CHRG output enters a strong pull-down state during recharge cycles.

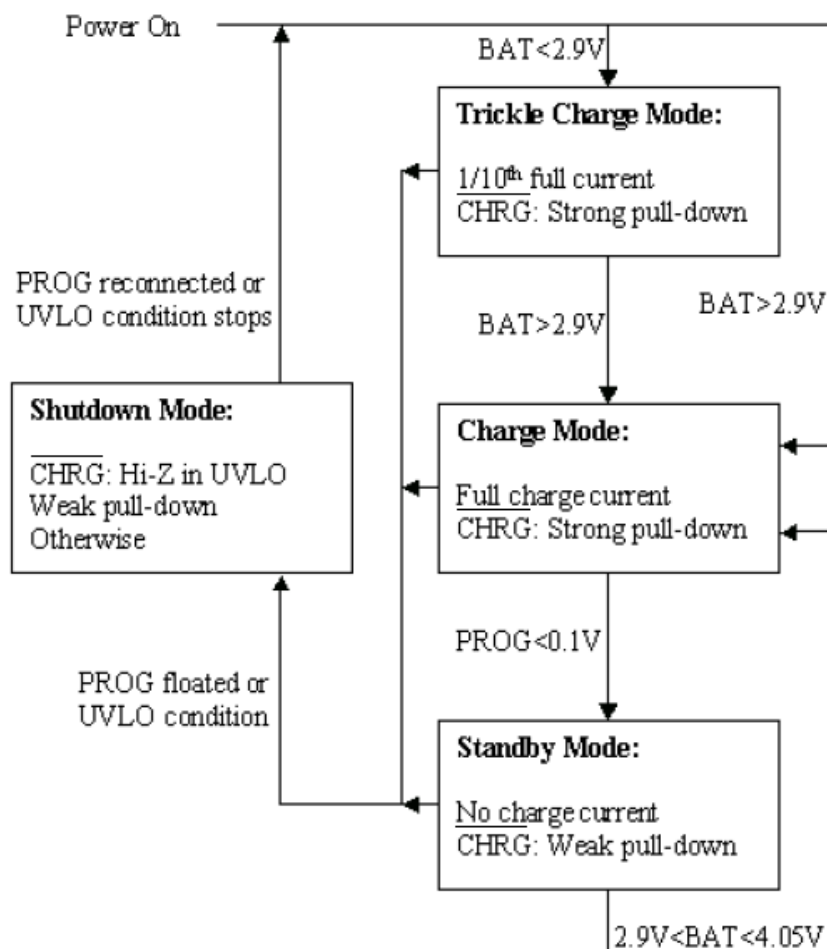


Figure 1. Charge Cycle Diagram

Applications information

Stability Considerations

When a battery is connected to the output, the constant-voltage mode feedback is always stable. However, in the case of absence of battery, an output capacitor is recommended to reduce ripple voltage. In the case of high value capacitance or low ESR ceramic capacitors, a small value series resistor (~1 Ω) is recommended. No series resistor is needed if tantalum capacitors are used.

In constant-current mode, the PROG pin is in the feedback loop, thus its impedance affects the stability. The maximum allowed value of the program resistor is 20K, and additional capacitance reduces this value. The pole frequency at the PROG pin needs to be kept above 100kHz to maintain device stability. Therefore, the maximum resistance value can be calculated from the following equation, C_{PROG} is the capacitance loaded to the PROG pin.

$$R_{PROG} \leq \frac{1}{2\pi \cdot 10^5 \cdot C_{PROG}}$$

Average rather than instantaneous charge current is more of a concern. A simple low pass filter can be used on the PROG pin to measure the average battery current as shown in Figure 2. A 10K resistor has been added between the PROG pin and the filter capacitor to ensure stability.

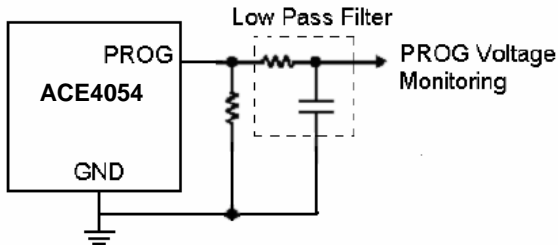


Figure 2. Isolating Capacitive Load PROG Pin and Filtering

Power Dissipation

The power dissipated in the IC causes the rise of die temperature. Most of the power dissipation is caused by the internal power MOSFET, and can be calculated by the following equation:

$$P_D = (V_{CC} - V_{BAT}) \cdot I_{BAT}$$

Where P_D is the power dissipated, V_{CC} is the input supply voltage, V_{BAT} is the battery voltage and I_{BAT} is the charge current. The approximate ambient temperature at which the thermal feedback begins to protect the IC is:

$$T_A = 120^\circ\text{C} - P_D \theta_{JA}$$

$$T_A = 120^\circ\text{C} - (V_{CC} - V_{BAT}) \cdot I_{BAT} \cdot \theta_{JA}$$

Example: An ACE4054 operating from a 5V USB supply is programmed to supply 400mA full-scale current to a discharged Li-Ion battery with a voltage of 3.75V. Assuming θ_{JA} is $150^\circ\text{C} / \text{W}$ (see Board Layout Considerations), the ambient temperature at which the ACE4054 will begin to reduce the charge current is approximately:

$$T_A = 120^\circ\text{C} - (5\text{V} - 3.75\text{V}) \cdot (400\text{mA}) \cdot 150^\circ\text{C} / \text{W}$$

$$T_A = 120^\circ\text{C} - 0.5\text{W} \cdot 150^\circ\text{C} / \text{W} = 120^\circ\text{C} - 75^\circ\text{C}$$

$$T_A = 45^\circ\text{C}$$

The ACE4054 can be used above 45°C ambient, but the charge current will be reduced from 400mA. The approximate current at a given ambient temperature can be approximated by:

$$I_{BAT} = \frac{120^\circ\text{C} - T_A}{(V_{CC} - V_{BAT}) \cdot \theta_{JA}}$$

Using the previous example with an ambient temperature of 60°C , the charge current will be reduced to approximately:

$$I_{BAT} = \frac{120^\circ\text{C} - 60^\circ\text{C}}{(5\text{V} - 3.75\text{V}) \cdot 150^\circ\text{C} / \text{W}} = \frac{60^\circ\text{C}}{187.5^\circ\text{C} / \text{A}}$$

$$I_{BAT} = 320\text{mA}$$

Moreover, when thermal feedback reduces the charge current, the voltage at the PROG pin is also reduced proportionally as discussed in the operation section.

It is important to remember that ACE4054 applications do not need to be designed for worst-case thermal conditions since the IC will automatically reduce power dissipation when the junction temperature reached approximately 120°C.

Thermal Considerations

Due to its compact size, it is of great importance to use a good thermal PC board. Good thermal conduction increases maximum allowed charge current value.

The thermal path for the heat generated by the IC is from the die to the copper lead frame, through the package leads, (especially the ground lead) to the PC board copper. The PC board copper is the heat sink. The footprint copper pads should be as wide as possible and expand out to larger copper areas to spread and dissipate the heat to the surrounding ambient. Feedthrough vias to inner or backside copper layers are also useful in improving the overall thermal performance of the charger. Other heat sources on the board, not related to the charger, must also be considered when designing a PC board layout because they will affect overall temperature rise and the maximum charge current.

Increasing Thermal Regulation Current

Reducing the voltage drop across the internal MOSFET can significantly decrease the power dissipation in the IC. Minimized power dissipation results in reduced die temperature rise and hence equivalent increased charge current in thermal regulation. One way is to bypass some of the current through an external component, such as a resistor or diode.

Example: An ACE4054 operating from a 5V wall adapter is programmed to supply 600mA full-scale current to discharged Li-Ion battery with a voltage of 3.75V. Assuming θ_{JA} is 125°C / W, the approximate charge current at an ambient temperature of 25°C is:

$$I_{BAT} = \frac{120^{\circ}C - 25^{\circ}C}{(5V - 3.75V) \cdot 125^{\circ}C / W} = 608mA$$

By dropping voltage across a resistor in series with a 5V wall adapter (shown in Figure 3), the on-chip power dissipation can be decreased, thus increasing the thermally regulated charge current

$$I_{BAT} = \frac{120^{\circ}C - 25^{\circ}C}{(V_S - I_{BAT}R_{CC} - V_{BAT}) \cdot \theta_{JA}}$$

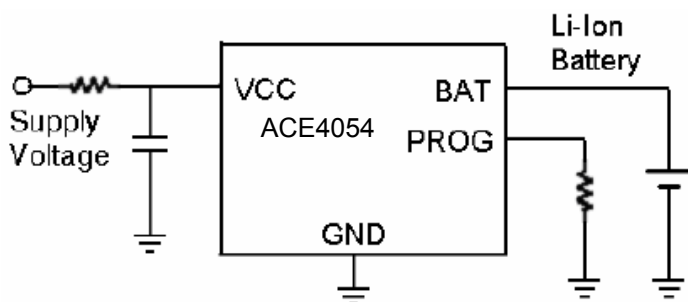


Figure 3. A Circuit to Maximize Thermal Mode Charge Current

VCC Bypass Capacitor

Due to their self-resonant and high Q characteristics, some types of ceramic capacitors can cause high voltage transients under some start-up conditions (i.e connecting the charger input to a live power source). Adding a small value resistor in series with the ceramic capacitor can minimize start-up voltage transients.

Charge Current Soft-Start

To avoid the start-up transients, a soft-start circuit is included to ramp the charge current from zero to programmed value over a period of time. This has the effect of minimizing the transient current load on the power supply during start-up.

CHRG Status Output Pin

When the input voltage is larger than the undervoltage lockout threshold, a pull-down current of 20 μ A to the pin indicates that the device is ready to charge. When a discharged battery is connected to the charger, the constant current portion of the charge cycle begins and the CHRG pin is pulled to ground. The CHRG pin can sink up to 10mA to drive an LED that indicates that a charge cycle is in progress.

When the battery is close to fully charged, the charger switches to the constant-voltage portion of the charge cycle and the charge current begins to drop. When the charge current drops below 1/10 of the programmed current, the charge cycle ends and the strong pull-down is replaced by the 20 μ A pull-down as mentioned before, indicating that the charge cycle has ended.

If the input voltage is removed or drops below the undervoltage lockout threshold, the CHRG pin becomes high impedance. Figure 4 shows that by using two different value pull-up resistors, a microprocessor can detect all three states from this pin.

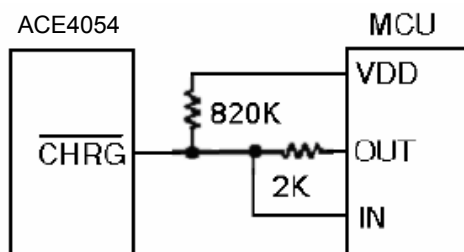


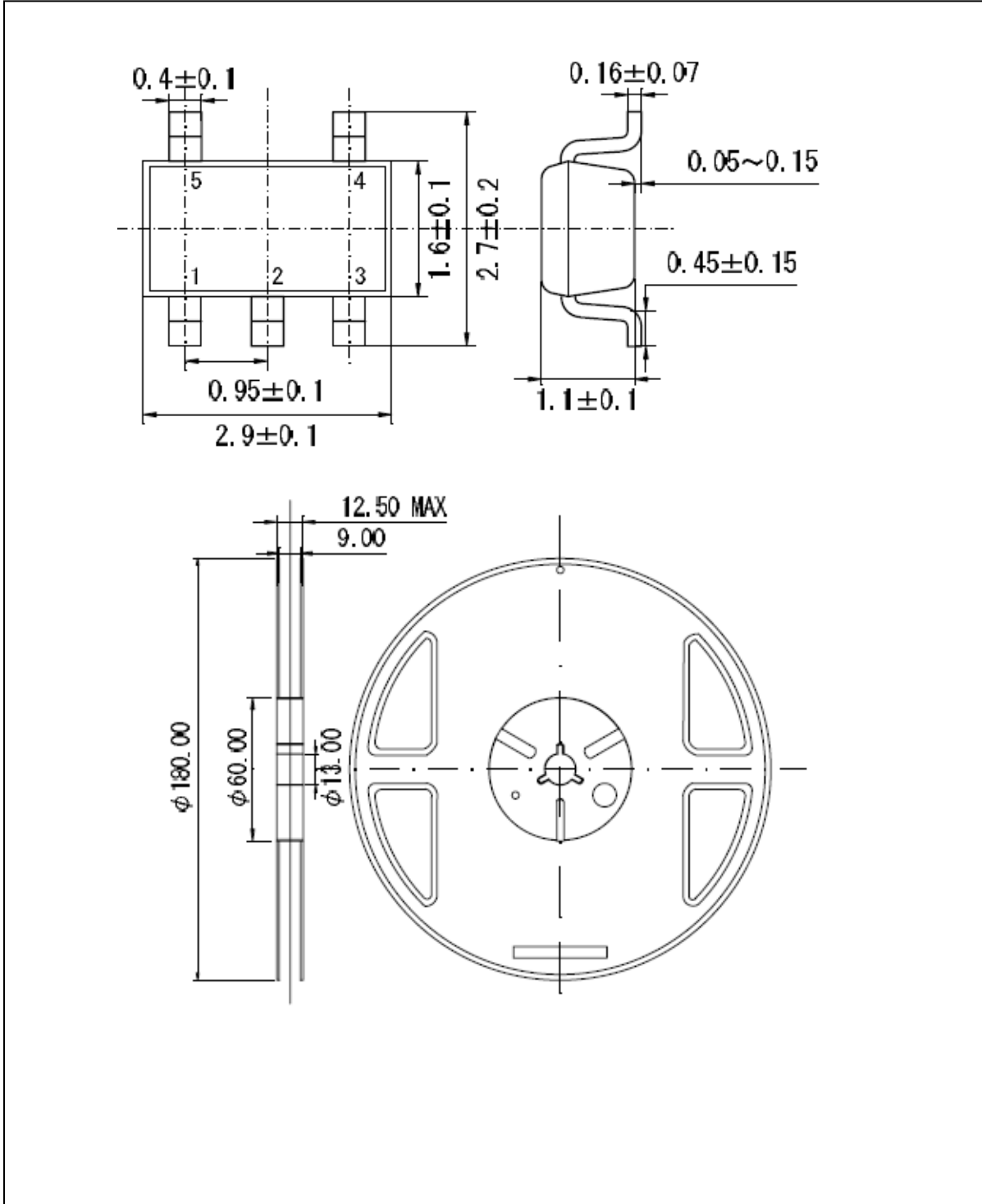
Figure 4. Using a Microprocessor to Determine CHRG State.

To detect the charge statuses of the ACE4054, connect a microprocessor and force the digital output pin (OUT) high and measure the voltage at the CHRG pin, as shown in Figure4.

The N-channel MOSFET will pull the pin voltage low even with the 2K pull-up resistor. Once the charge cycle terminates, the N-channel MOSFET is turned off and a 20 μ A current source is connected to the CHRG pin. The IN pin will then be pulled high by the 2K pull-up resistor. To determine if there is a weak pull-down current, the OUT pin should be forced to a high impedance state. The weak current source will pull the IN pin low through the 820K resistor; if CHRG is high impedance, the IN pin will be pulled high, indicating that the part is in a UVLO state.

Packing Information

SOT-23-5



Notes

ACE does not assume any responsibility for use as critical components in life support devices or systems without the express written approval of the president and general counsel of ACE Electronics Co., LTD.

As sued herein:

1. Life support devices or systems are devices or systems which, (a) are intended for surgical implant into the body, or (b) support or sustain life, and whose failure to perform when properly used in accordance with instructions for use provided in the labeling, can be reasonably expected to result in a significant injury to the user.
2. A critical component is any component of a life support device or system whose failure to perform can be reasonably expected to cause the failure of the life support device or system, or to affect its safety or effectiveness.

ACE Technology Co., LTD.

<http://www.ace-ele.com/>