

AZ DISPLAYS, INC.

COMPLETE LCD SOLUTIONS

SPECIFICATIONS FOR LIQUID CRYSTAL DISPLAY

www.DataSheet4U.com

PART NUMBER:

ACM1002A Series

REVISED:

MARCH 14, 2006

General Specification

Table 1

Item	Standard Value			Unit
Character Format	Dot-Graphic _____	Character	Digits with ICON	Dots
Module Dimension	38.0(W) *25.5(H) *1.8(T)			mm
Viewing Area	34.0(W) * 14.0(H)			mm
Dot Size	0.5(W) *0.75(H)			mm
Dot Pitch	0.55(W) * 0.8(H)			mm
Character Size	2.7(W) * 5.55(H)			
Character Pitch	3.2(W) * 6.25(H)			
Driving	1/18duty, 1/5bias			
View Direction	6H	12H	Other: _____	
Polarizer Type	TN, Positive HTN, Positive STN, Yellow-Green FSTN, Positive Color STN FM LCD	TN, Negative HTN, Negative STN, Gray FSTN, Negative	STN, Blue	
Display Mode	Transmissive Anti-Glare	Reflective	Transflective	
Driver IC	PCF2119_RU/2 (PHILIPS)			
Interface	6800	8080	I ² C	
DC/DC Converter	Internal	External		
Operation Temperature	-20 —+70			
Storage Temperature	-30 —+80			

ELECTRICAL CHARACTERISTICS

Absolute Maximum Ratings

No	ITEM	Symbol	Min.	Typ.	Max.	Unit
1	OPERATING TEMPERATURE	T_{OP}	-20	-	70	
2	STORAGE TEMPERATURE	T_{ST}	-30	-	80	
3	SUPPLY VOLTAGE FOR LOGIC	V_{DD}	V_{SS}	-	6.5	V
4	SUPPLY VOLTAGE FOR LCD	V_{LCD}	V_{SS}	-	7.5	V
5	INPUT VOLTAGE	V_{IN}	V_{SS}	-	$V_{DD}+0.5$	V
6	STATIC ELECTRICITY	Be sure that you are grounded when handing LCM				

Electrical Characteristics

($T_a=25$, $V_{DD}=5.0V$) Table 4

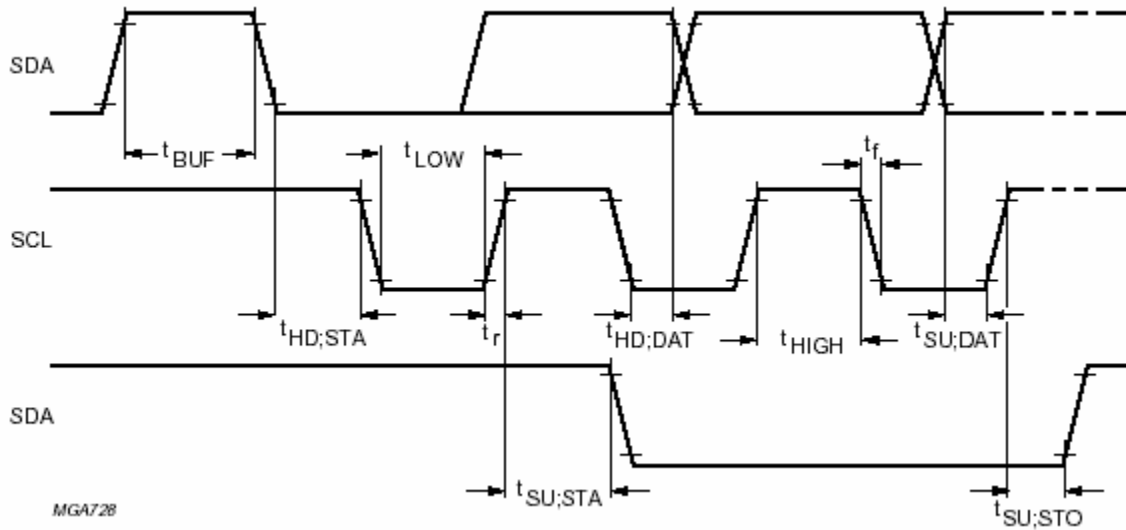
No	Item	Symbol	Condition	Min.	Typ.	Max.	Unit
1	Supply Voltage For Logic	$V_{DD}-V_{SS}$	/	/	5.0	/	V
2	Supply Voltage For LCD Driver	$V_{DD}-V_o$ (V_{LCD})	/	/	5.0	/	V
3	Input High Voltage	V_{IH}	H level	$0.7V_{DD}$	/	V_{DD}	V
4	Input Low Voltage	V_{IL}	L level	V_{SS}	/	$0.3V_{DD}$	V
5	Supply Current For Logic	I_{DD}	/	/	/	1	mA

Interface Pin Function

NO	SYMBOL	LEVEL	FUNCTION
1	SCL	I	I2C-bus serial clock input
2	SDA	I	I2C-bus serial data input
3	V_{DD}	Power Supply	Logic supply voltage.
4	V_{SS}	Power Supply	Ground
5	V_{LCD}	VO	This input is used for the generation of the LCD bias levels.
6	RESET	I	The external reset is active HIGH

Timing Characteristics

1. I2C-bus timing diagram.



Timing characteristics: I2C-bus interface: note 2

f_{SCL}	SCL clock frequency		-	-	400	kHz
t_{LOW}	SCL clock low period		1.3	-	-	ms
t_{HIGH}	SCL clock high period		0.6	-	-	ms
$t_{SU;DAT}$	data set-up time		100	-	-	ns
$t_{HD;DAT}$	data hold time		0	-	-	ns
t_r	SCL, SDA rise time	notes 1 and 3	$15 + 0.1C_B$	-	300	ns
t_f	SCL, SDA fall time	notes 1 and 3	$15 + 0.1C_B$	-	300	ns
C_B	capacitive bus line load		-	-	400	pF
$t_{SU;STA}$	set-up time for a repeated START condition		0.6	-	-	ms
$t_{HD;STA}$	START condition hold time		0.6	-	-	ms
$t_{SU;STO}$	set-up time for STO condition		0.6	-	-	ms
t_{SW}	tolerable spike width on bus		-	-	50	ns
t_{BUF}	bus free time between STOP and START condition		1.3	-	-	ms

Notes :

1. Tested on a sample basis.
2. All timing values are valid within the operating supply voltage and ambient temperature range and are referenced to V_{IL} and V_{IH} with an input voltage swing of V_{SS} to V_{DD} .
3. C_B = total capacitance of one bus line in pF.

Electro-optical Characteristics

No	Item	Symbol	Condition	Min	Typ	Max	Unit	Drive	
1	Contrast Ratio	C_R	$T_a=23\pm 3$ $f_1=f_2=f_3=f_4=0$	4.0	5.0	-	-	$V_{op}=5.0V$ 1/18Duty 1/5 Bias $f=100Hz$	
2	Response time	Rise		T_r	-	160	200		ms
		Down		T_f	-	130	180		ms
3	Viewing Angle Range	6H =270	1	$T_a=23\pm 3$ $C_r=2$	70				Deg
		12H =90	2		30				
		3H =0	3		60				
		9H =180	4		60				
4	LCD Driving Voltage	V_{OP}	$T_a=23\pm 3$	-	5.0	-	V		

Commands

The display control instructions control the internal state of the PCF2119_RU/2 (PHILIPS) Instruction is received from MPU to PCF2119_RU/2(PHILIPS)for the splay control. The following table shows various instructions.

X: Don't care Table 6

Instruction	R S	R W	D B 7	D B 6	D B 5	D B 4	D B 3	D B 2	D B 1	D B 0	Description
H = 0 or 1											
Function set	0	0	0	0	1	D L	0	M	S L	H	sets interface Data Length (DL) and number of display lines (M); single line/MUX 1 : 9 (SL), extended instruction set control (H)
Read busy flag and address counter	0	1	B F	AC							reads the Busy Flag (BF) indicating internal operating is being performed and reads address counter contents
Read data	1	1	read data								reads data from CGRAM or DDRAM
Write data	1	0	write data								writes data from CGRAM or DDRAM
H = 0											
Clear display	0	0	0	0	0	0	0	0	0	1	clears entire display and sets DDRAM address 0 in address counter
Return home	0	0	0	0	0	0	0	0	1	0	sets DDRAM address 0 in address counter; also returns shifted display to original position; DDRAM contents remain unchanged
Entry mode set	0	0	0	0	0	0	0	1	I / D	S	sets cursor move direction and specifies shift of display; these operations are performed during data write and read
Display control	0	0	0	0	0	0	1	D	C	B	sets entire display on/off (D), cursor

												on/off (C) and blink of cursor position character (B); D = 0 (display off) puts chip into the power-down mode
Cursor/display shift	0	0	0	0	0	1	S / C	R / L	0	0		moves cursor and shifts display without changing DDRAM contents
Set CGRAM address	0	0	0	1	ACG						sets CGRAM address; bit 6 is to be set by the command 'set DDRAM address'; look at the description of the commands	
Set DDRAM address	0	0	1	ADD						sets DDRAM address		
H = 1												
Reserved	0	0	0	0	0	0	0	0	0	0	1	do not use
Screen configuration	0	0	0	0	0	0	0	0	0	1	L	set screen configuration
Display configuration	0	0	0	0	0	0	0	1	P	Q		set display configuration
Icon control	0	0	0	0	0	0	1	I / M	I / B	D	M	section mode (IM), icon blink (IB), direct mode(DM)
Temperature control	0	0	0	0	0	1	0	0	T / C	T / C	1 / 2	set temperature coefficient (TCx)
Set HVgen stages	0	0	0	1	0	0	0	0	S / 1	S / 0		set internal HVgen stages (S1,S0 = 11 not allowed)
Set V _{LCD}	0	0	1	V	voltage						store V _{LCD} in register V _A or V _B (V)	

Table7 Explanations of symbols used in Table 6

BIT	STATE	
	LOGIC 0	LOGIC 1
I/D	decrement	increment
S	display freeze	display shift
D	display off	display on
C	cursor off	cursor on
B	cursor character blink off: character at cursor position does not blink	cursor character blink on: character at cursor position blinks
S/C	cursor move	display shift
R/L	left shift	right shift
DL	4 bits	8 bits
H	use basic instruction set	use extended instruction set
L (no impact, if M = 1 or SL = 1)	left/right screen: standard connection (as in PCF2114)	left/right screen: mirrored connection (as in PCF2116)
	1st 16 characters of 32: columns are from 1 to 80	1st 16 characters of 32: columns are from 1 to 80
	2nd 16 characters of 32: columns are from 1 to 80	2nd 16 characters of 32: columns are from 80 to 1
P	r column data: left to right (as in PCF2116); column data is displayed from 1 to 80	column data: right to left; column data is displayed from 80 to 1
Q	row data: top to bottom (as in PCF2116); row data is displayed from 1 to 16 and icon row data is in 17 and 18 in single line mode (SL = 1)	row data: bottom to top; row data is displayed from 16 to 1 and icon row data is in 18 and 17 in single line mode (SL = 1)

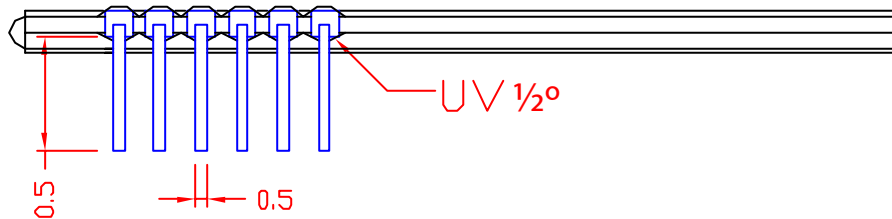
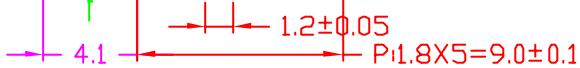
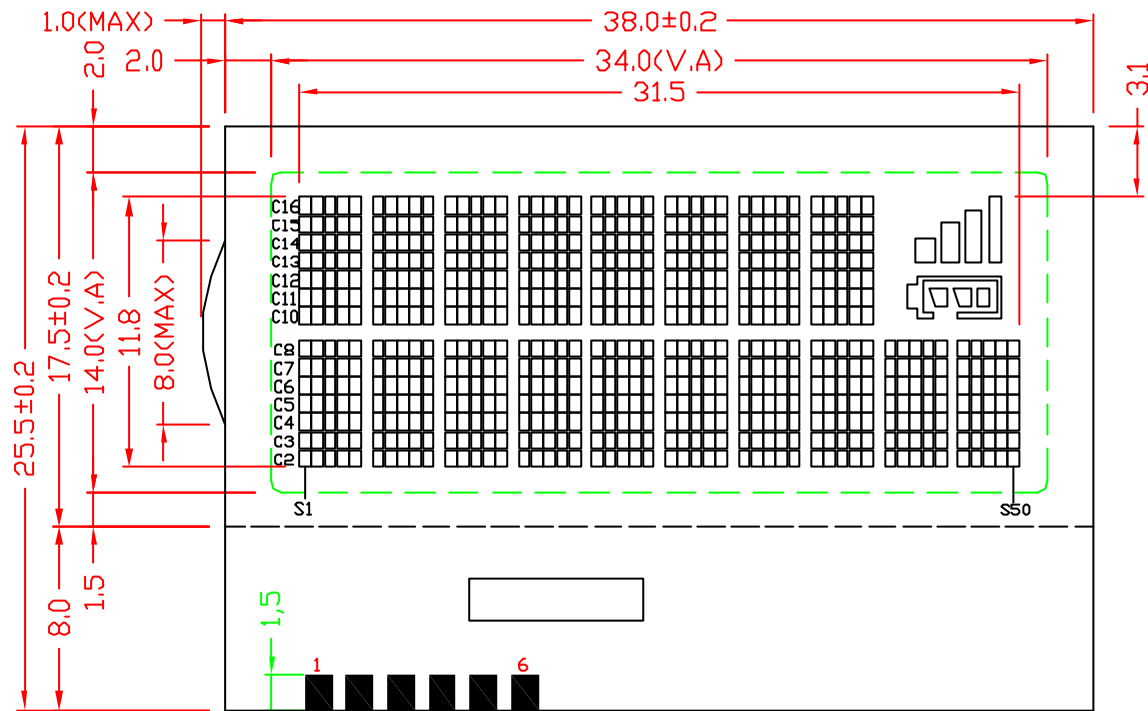
	row data is displayed from 1 to 8 and icon row data in 17	row data is displayed from 8 to 1 and icon row data in 17
IM	character mode; full display	icon mode; only icons displayed
IB	icon blink disabled	icon blink enabled
DM	direct mode disabled	direct mode enabled
V	set VA	set VB
M (no impact, if SL = 1)	1-line by 32 display	2-line by 16 display
SL	MUX 1 : 18 (1X32 or 2X16 character display)	MUX 1 : 9 (1X16 character display)
C ₀	last control byte; see Table 5	another control byte follows after data/command

Table 8 Explanation of TC1 and TC2 used in Table 6

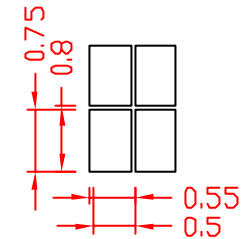
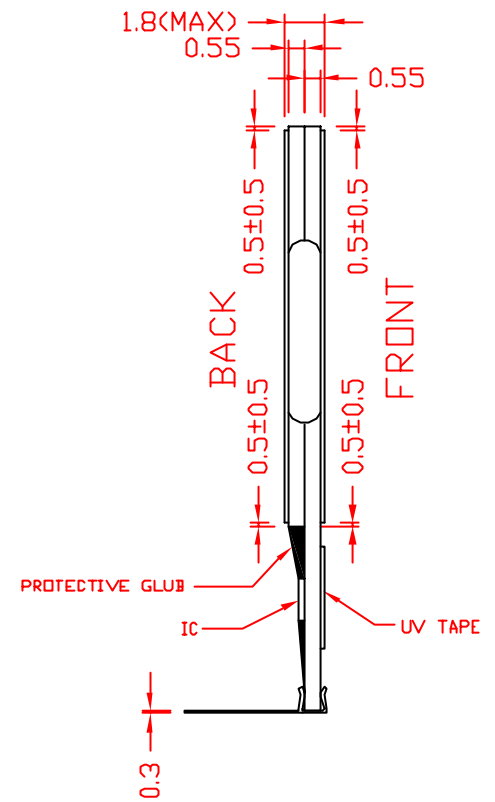
TC1	TC2	DESCRIPTION
0	0	VLCD temperature coefficient 0
1	0	VLCD temperature coefficient 1
0	1	VLCD temperature coefficient 2
1	1	VLCD temperature coefficient 3; for ranges for TC see Chapter 14

Table 9 Explanation of S1 and S2 used in Table 6

S1	S2	DESCRIPTION
0	0	set internal HVgen stages to 1 (2 * voltage multiplier)
0	1	set internal HVgen stages to 2 (3 * voltage multiplier)
1	0	set internal HVgen stages to 3 (4 * voltage multiplier)
1	1	do not use

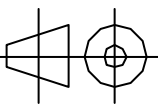


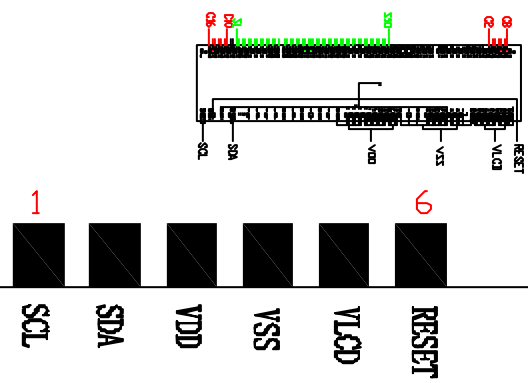
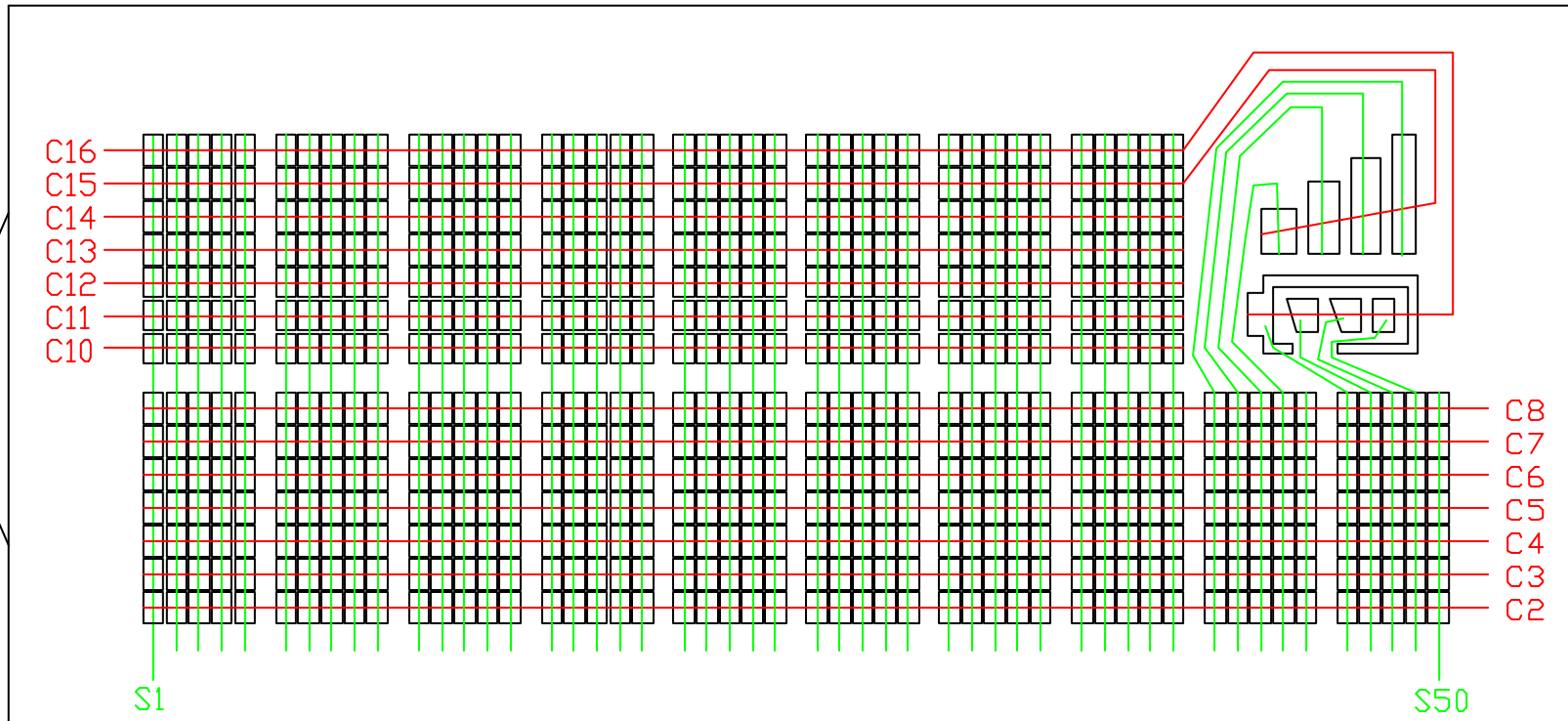
NO:	1	2	3	4	5	6
PIN	SCL	SDA	VDD	VSS	VLCD	RESET



DISPLAY MODE: STN;GRAY;TRANSFLECTIVE;POSITIVE
 VIEWING DIRECTION: 6:00
 DRIVER IC: PCF2119X
 CONNECTOR:PINNING
 DRIVING METHOD: 1/18DUTY 1/5 BIAS
 OPERATING TEMPERATURE: -20°~+70°C
 STORAGE TEMPERATURE: -30°~+80°C
 * LOGIC VOLTAGE: 5.0V, VLCD: 5.0V

CUSTOMER APPROVAL:





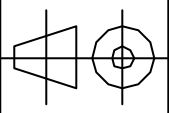
CUSTOMER
APPROVAL:

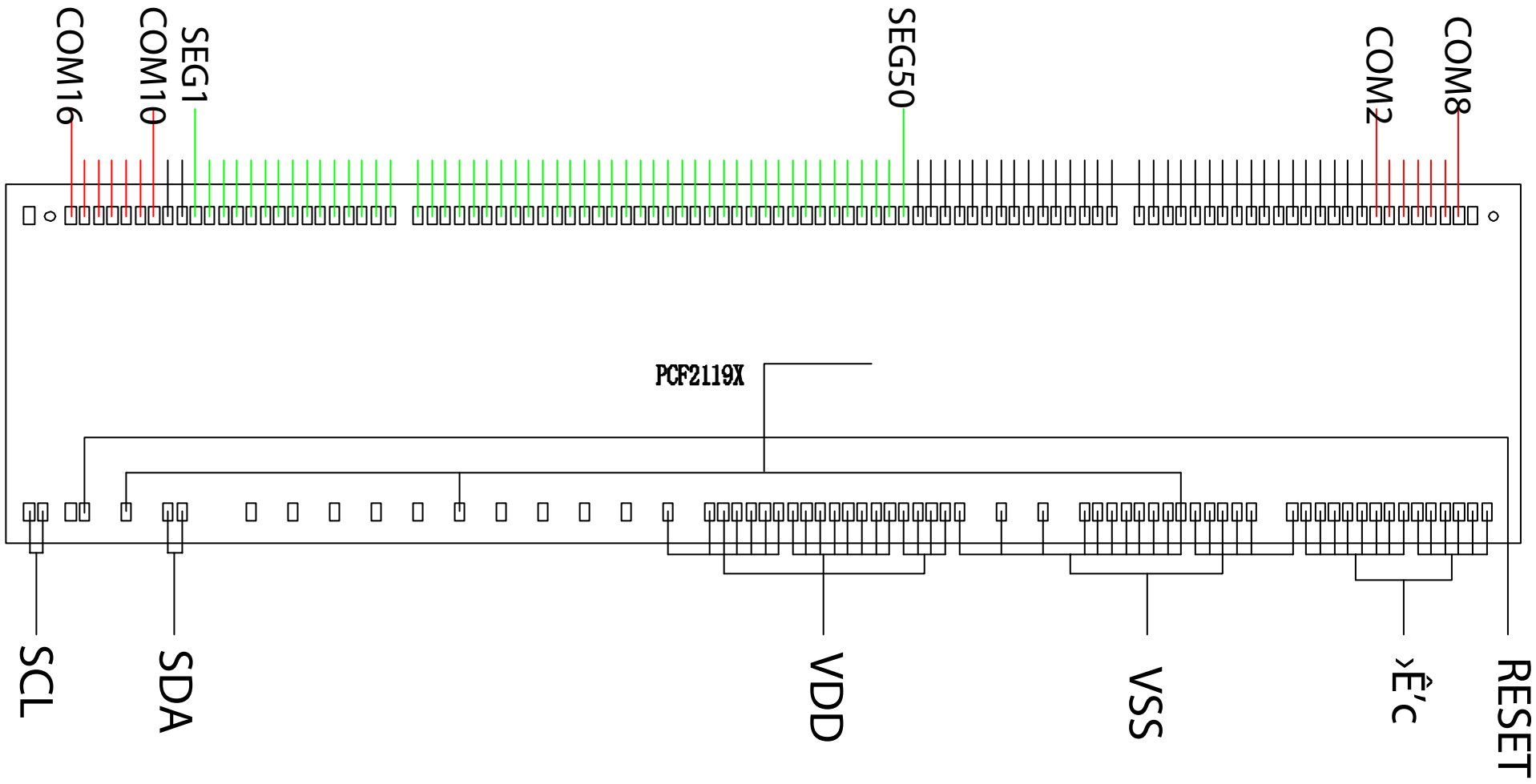
AZ Displays, Inc.

ACM1002A SERIES

UNITS: mm

SHEET 2 OF 3





CUSTOMER
APPROVAL:

AZ Displays, Inc.

ACM1002A SERIES

UNITS: mm

SHEET 3 OF 3

