

# AZ DISPLAYS, INC.

*Complete LCD Solutions*

## ACM2002P SERIES LCD MODULE

### 1.0 PHYSICAL DATA

Item	Nominal Dimensions / Available Options	Unit
Number of Characters	20 characters x 2 lines	-
Character Format	5 x 7 dots with cursor	-
Overall Module Size (W x H x D)	180.0 x 40.0 x max 14.5 for LED backlight version 180.0 x 40.0 x max 9.5 for reflective or EL backlight version	mm
Dot Size (W x H)	1.12 x 1.12	mm
Dot Pitch (W x H)	1.22 x 1.22	mm
Duty	1/16	-
Controller IC	KS0066	-
LC Fluid Options	TN, STN	-
Polarizer Options	Reflective, Transflective	-
Backlight Options	EL, LED	-
Temperature Range Options	Standard, Wide temp	-

### 2.0 ABSOLUTE MAXIMUM RATINGS

Item	Symbol	Min	Typ	Max	Unit
Operating temperature (Standard)	Top	0	-	50	°C
Storage temperature (Standard)	Tst	-20	-	70	°C
Operating temperature (Wide temp)	Top	-20	-	+70	°C
Storage temperature (Wide temp)	Tst	-30	-	+80	°C
Input voltage	V <sub>I</sub>	V <sub>SS</sub>	-	V <sub>DD</sub>	V
Supply voltage for logic	V <sub>DD</sub> -V <sub>SS</sub>	0	5.0	6.5	V
Supply voltage for LCD drive	V <sub>DD</sub> -V <sub>O</sub>	0	-	6.5	V

### 3.0 OPTICAL CHARACTERISTICS (T<sub>a</sub> = 25°C, V<sub>DD</sub> = 5.0V ± 0.25V, STN LC Fluid)

Item	Symbol	Condition	Min	Typ	Max	Unit
Viewing angle (horizontal)	θ	Cr ≥ 2.0	±30	-	±45	deg
Viewing angle (vertical)	φ	Cr ≥ 2.0	60	-	80	deg
Contrast Ratio	Cr	φ=0°, θ=0°	4.5	-	10	
Response time (rise)	Tr	φ=0°, θ=0°	-	120	240	ms
Response time (fall)	Tf	φ=0°, θ=0°	-	155	310	ms

# ACM2002P SERIES LCD MODULE

## 4.0 ELECTRICAL CHARACTERISTICS (Ta = 25°C, VDD = 5.0V ± 0.25V)

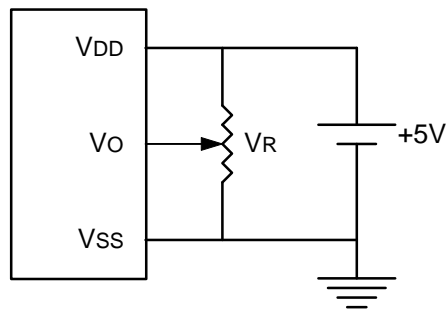
Item	Symbol	Condition	Min	Typ	Max	Unit
Supply voltage for LCD drive (Std temp)	VDD-VO	Ta = 25°C, STN		4.5		V
Supply voltage for LCD drive (Wide temp)	VDD-VO	Ta = 25°C, STN		4.9		V
Supply voltage for LCD drive (Std temp)	VDD-VO	Ta = 25°C, TN		4.5		V
Input voltage	VI	-	4.75	5.0	5.25	V
Input high voltage	VIH	-	2.2	-	VDD	V
Input low voltage	VIL	-	0	-	0.6	V
Output high voltage	VOH	IOH=0.2mA	2.4	-	-	V
Output low voltage	VOL	IOL=1.2mA	-	-	0.4	V
Supply current	IDD	VDD=5.0V	-		3.0	mA
Input leakage current	ILKG	-	-	-	1.0	uA
LED power supply current	ILED	VLED=5V, R=2.7Ω	-	300	-	mA
EL power supply current	IEL	VEL=110VAC, 400HZ	-	8.0	-	mA

## 5.0 INTERFACE PIN CONNECTIONS

Pin No.	Symbol	Level	Pin Description	Function
1	VSS	-	Ground	0V
2	VDD	-	Supply voltage for logic	+5V
3	VO	-	LCD contrast adjust	By user
4	RS	H/L	Register select	H: Data; L: Instruction code
5	R/W	H/L	Read / write	H: Data read, L: Data write
6	E	H, H→L	Enable	Start signal for data read/write
7	DB0	H/L	Data bit 0	8-bit interface
8	DB1	H/L	Data bit 1	8-bit interface
9	DB2	H/L	Data bit 2	8-bit interface
10	DB3	H/L	Data bit 3	8-bit interface
11	DB4	H/L	Data bit 4	4-bit or 8-bit interface
12	DB5	H/L	Data bit 5	4-bit or 8-bit interface
13	DB6	H/L	Data bit 6	4-bit or 8-bit interface
14	DB7	H/L	Data bit 7	4-bit or 8-bit interface
15	A	-	Anode for LED backlight	Power supply for LED/EL backlights
16	K	-	Cathode for LED backlight	Power supply for LED/EL backlights

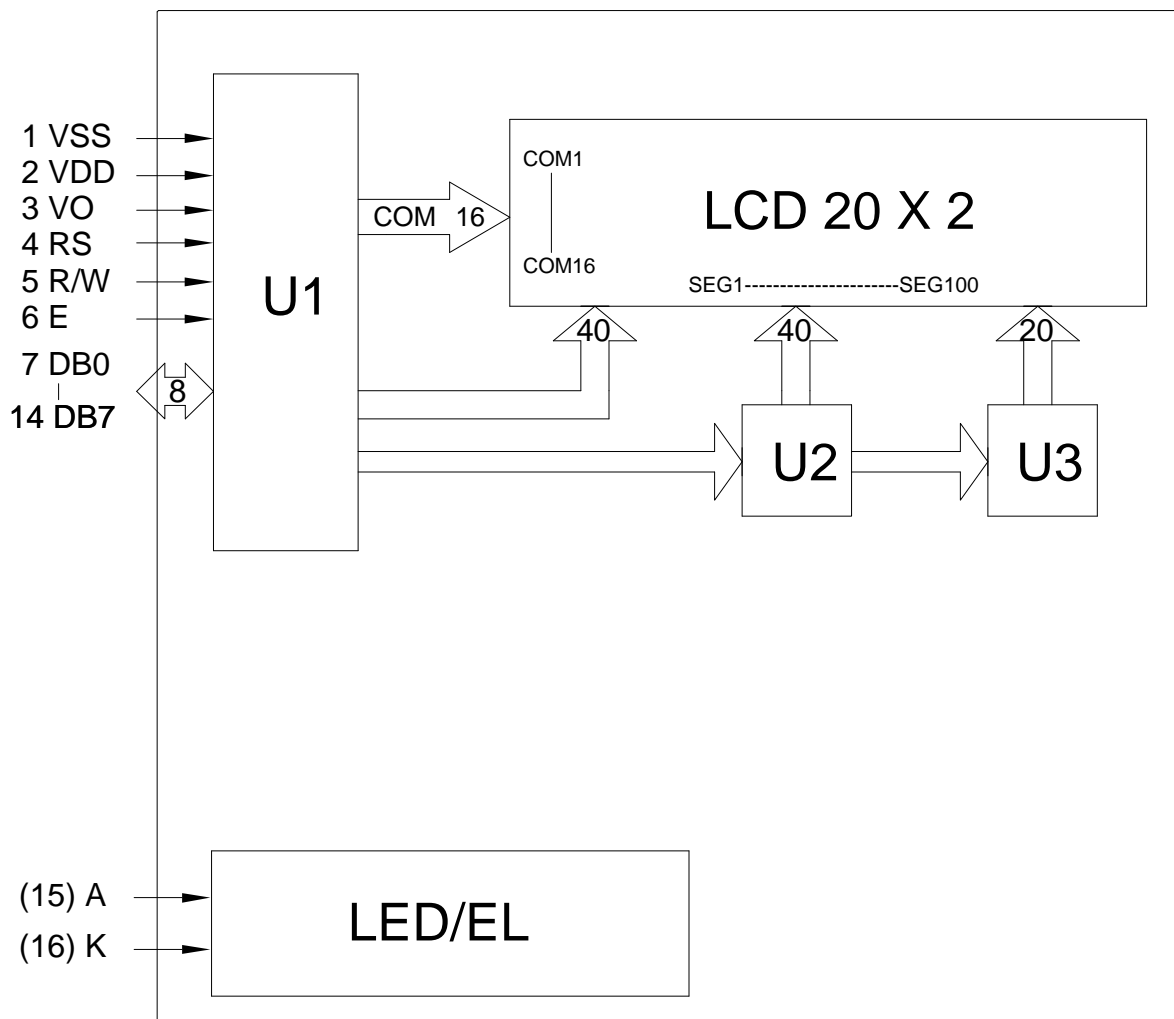
# ACM2002P SERIES LCD MODULE

## 6.0 POWER SUPPLY



$V_R = 10K\Omega \sim 20K\Omega$

## 7.0 BLOCK DIAGRAM



# ACM2002P SERIES LCD MODULE

## 8.0 TIMING CHARACTERISTICS (KS0066 Controller)

Item	Symbol	Test Condition	Min.	Typ.	Max.	Unit
Enable cycle time	$t_{CYC}$	Fig. a, Fig. b	500	-	-	ns
Enable pulse width	$PW_{EH}$	Fig. a, Fig. b	220	-	-	ns
Enable rise/fall time	$t_{Er}, t_{Ef}$	Fig. a, Fig. b	-	-	25	ns
RS, R/W set up time	$t_{AS}$	Fig. a, Fig. b	40	-	-	ns
RS, R/W hold time	$t_{H1}$	Fig. a, Fig. b	10	-	-	ns
Data set up time	$t_{DSW}$	Fig. a	60	-	-	ns
Data hold time	$t_{H2}$	Fig. a	10	-	-	ns
Data delay time	$t_{DDR}$	Fig. b	-	-	120	ns
Data hold time	$t_{H2}$	Fig. b	20	-	-	ns

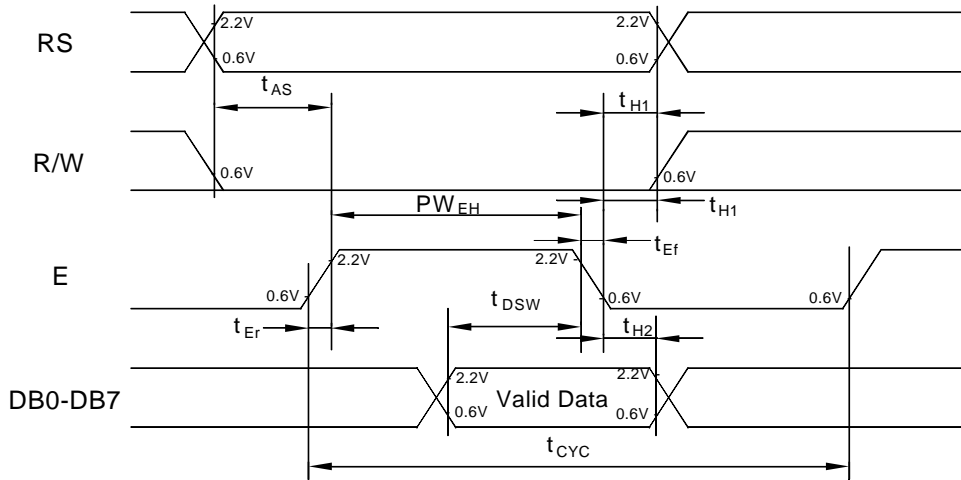


Fig. a Interface timing (data write)

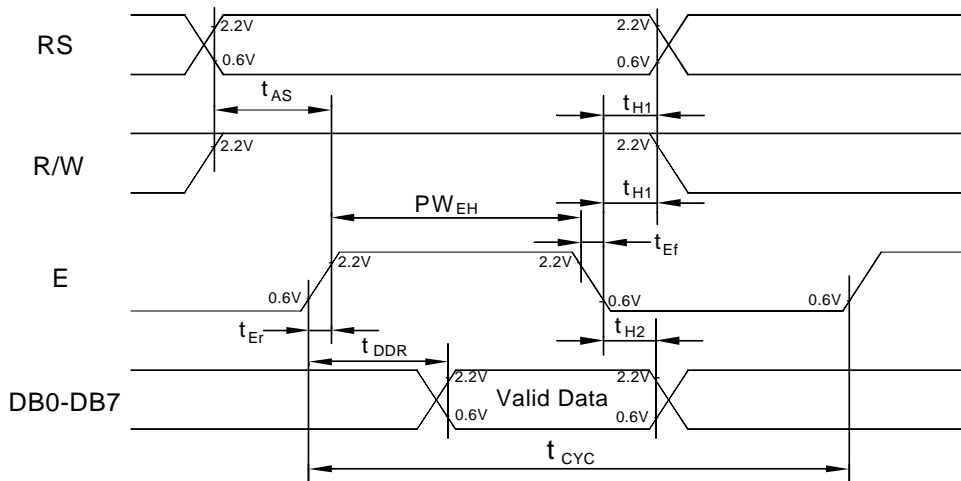
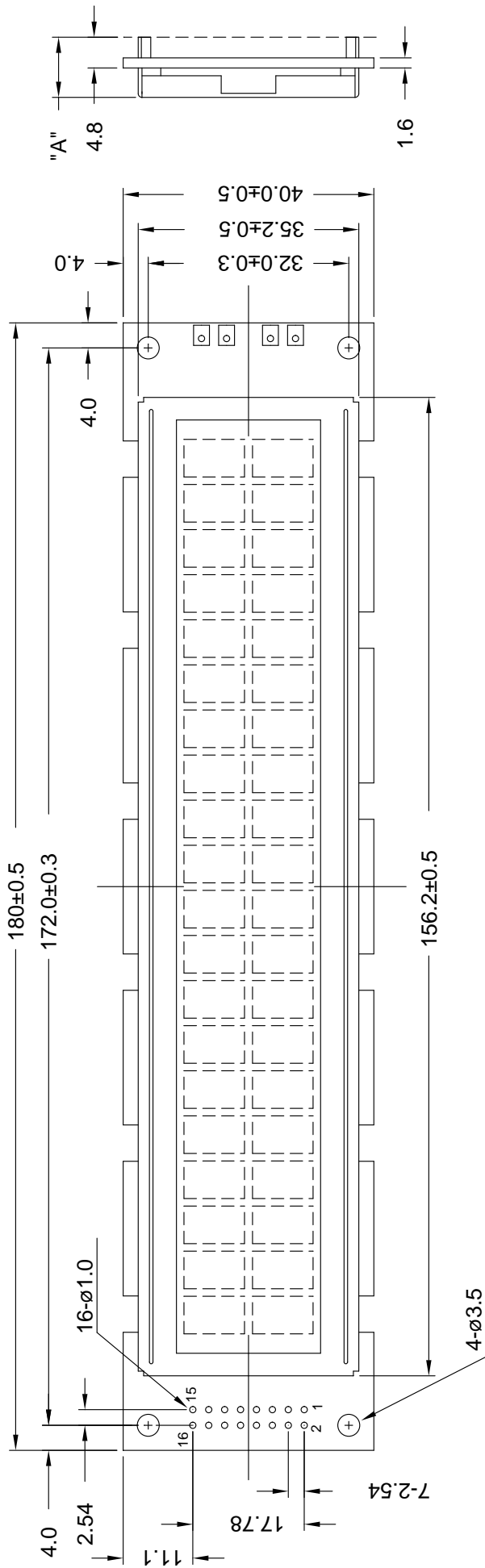
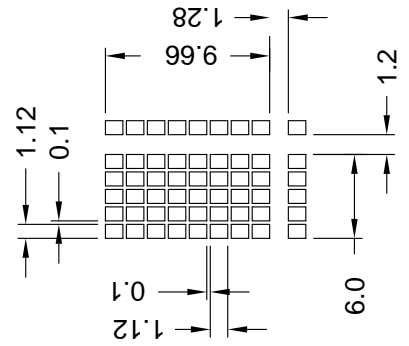


Fig. b Interface timing (data read)



DIM "A"  
 14.5(max)-LED B/L  
 9.5(max)-W/O LED B/L



AZ DISPLAYS, INC.		THIRD ANGLE PROJECT	
NAME	DATE	TITLE	DWG-NO
APPROVE			ACM2002P
CHECK			UNIT : mm
DESIGN			SCALE : NONE
DRAW			