

AZ DISPLAYS, INC.

COMPLETE LCD SOLUTIONS

SPECIFICATIONS FOR LIQUID CRYSTAL DISPLAY

PART NUMBER:
DATE:

ACM 4004E SERIES
October 8, 2002

ACM4004E SERIES LCD MODULE

1.0 MECHANICAL SPECS

1. Overall Module Size	190.0mm(W) x 54.0mm(H) x 14.5mm(D) max for LED backlight version 190.0mm(W) x 54.0mm(H) x 9.5mm(D) max for reflective version
2. Dot Size	0.50mm(W) x 0.55mm(H)
3. Character Pitch	2.78mm(W) x 4.89mm(H)
4. Duty	1/16
5. Controller IC	KS0066
6. LC Fluid Options	STN
7. Polarizer Options	Reflective, Transflective, Transmissive
8. Backlight Options	LED
9. Temperature Range Options	Standard(0°C ~ 50°C), Wide(-20°C ~ 70°C)

2.0 ABSOLUTE MAXIMUM RATINGS

Item	Symbol	Min	Typ	Max	Unit
Operating temperature (Standard)	Top	0	-	50	°C
Storage temperature (Standard)	Tst	-20	-	70	°C
Operating temperature (Wide temperature)	Top	-20	-	70	°C
Storage temperature (Wide temperature)	Tst	-30	-	80	°C
Input voltage	Vin	Vss		Vdd	V
Supply voltage for logic	Vdd- Vss	2.7	-	5.5	V
Supply voltage for LCD drive	Vdd- Vo	3.0	4.6	6.5	V

ACM4004E SERIES LCD MODULE

3.0 ELECTRICAL CHARACTERISTICS

Item	Symbol	Condition	Min	Typ	Max	Unit
Input voltage (high)	Vih	H level	2.2	-	Vdd	V
Input voltage (low)	Vil	L level	0	-	0.6	V
Recommended LC Driving Voltage (Standard Temp)	Vdd - Vo	0°C	-	4.8	5.4	V
		25°C	4.2	4.6	-	
		50°C	3.9	4.3	-	
Recommended LC Driving Voltage (Wide Temp)	Vdd -Vo	-20°C	-	6.4	7.2	V
		0°C	-	4.8	-	
		50°C	-	4.3	-	
		70°C	3.7	4.2	-	
Power Supply Current	Idd	Vdd=5.0V, fosc=270kHz	-	1.0	2.0	mA
LED Power Supply Voltage	Vfled	R=6.8Ω	-	4.3	5.0	V
LED Power Supply Current	Ifled	R=6.8Ω	-	500	800	mA

4.0 OPTICAL CHARACTERISTICS (Ta=25°C, Vdd= 5.0V±0.25V, TN LC fluid)

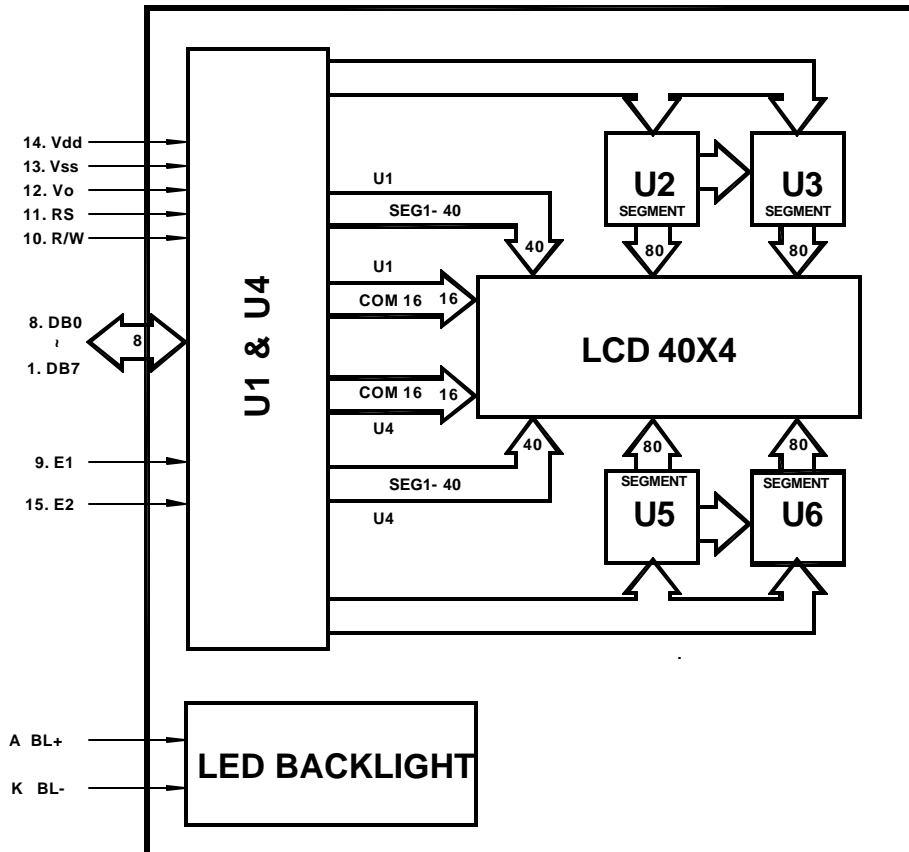
Item	Symbol	Condition	Min	Typ	Max	Unit
Viewing angle (horizontal)	θ	Cr ≥ 4.0	-25	-	-	deg
Viewing angle (vertical)	φ	Cr ≥ 4.0	-30	-	30	deg
Contrast Ratio	Cr	φ=0°, θ=0°	-	2	-	
Response time (rise)	Tr	φ=0°, θ=0°	-	120	150	ms
Response time (fall)	Tf	φ=0°, θ=0°	-	120	150	ms

ACM4004E SERIES LCD MODULE

4.1 OPTICAL CHARACTERISTICS (Ta=25° C, Vdd= 5.0V±0.25V, STN LC fluid)

Item	Symbol	Condition	Min	Typ	Max	Unit
Viewing angle (horizontal)	θ	$Cr \geq 2.0$	-60	-	35	deg
Viewing angle (vertical)	ϕ	$Cr \geq 2.0$	-40	-	40	deg
Contrast Ratio	Cr	$\phi=0^\circ, \theta=0^\circ$	-	6	-	
Response time (rise)	Tr	$\phi=0^\circ, \theta=0^\circ$	-	150	250	ms
Response time (fall)	Tf	$\phi=0^\circ, \theta=0^\circ$	-	150	250	ms

5.0 BLOCK DIAGRAM

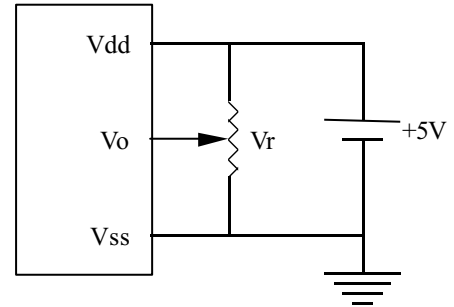


ACM4004E SERIES LCD MODULE

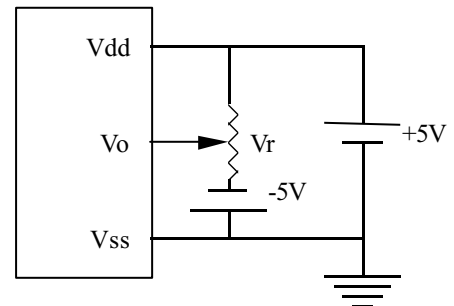
6.0 PIN ASSIGNMENT

Pin No.	Symbol	Function
1	DB7	Data bit 7
2	DB6	Data bit 6
3	DB5	Data bit 5
4	DB4	Data bit 4
5	DB3	Data bit 3
6	DB2	Data bit 2
7	DB1	Data bit 1
8	DB0	Data bit 0
9	E1	Enable Signal of U1
10	R/W	Read / Write Signal
11	RS	Register Select
12	Vo	LCD contrast adjust
13	Vss	Ground
14	Vdd	+5V
15	E2	Enable Signal of U2
16	NC	No Connect
+	BL+	Power Supply for BL+
-	BL-	Power Supply for BL-

7.0 POWER SUPPLY



STANDARD TEMP RANGE



WIDE TEMP RANGE

$$V_r = 10K\Omega \sim 20K\Omega$$

8.0 TIMING CHARACTERISTICS

Item	Symbol	Test Condition	Min.	Typ.	Max.	Unit
Enable cycle time	t_C	Fig. a, Fig. b	500	-	-	ns
Enable pulse width	t_W	Fig. a, Fig. b	220	-	-	ns
Enable rise/fall time	t_R, t_F	Fig. a, Fig. b	-	-	25	ns
RS, R/W set up time	t_{SU}	Fig. a, Fig. b	40	-	-	ns
RS, R/W hold time	t_H	Fig. a, Fig. b	10	-	-	ns
Data delay time	t_D	Fig. b	-	-	120	ns
Data set up time	t_{DSU}	Fig. a	60	-	-	ns
Data hold time	t_{DH}	Fig. a, Fig. b	20	-	-	ns

ACM4004E SERIES LCD MODULE

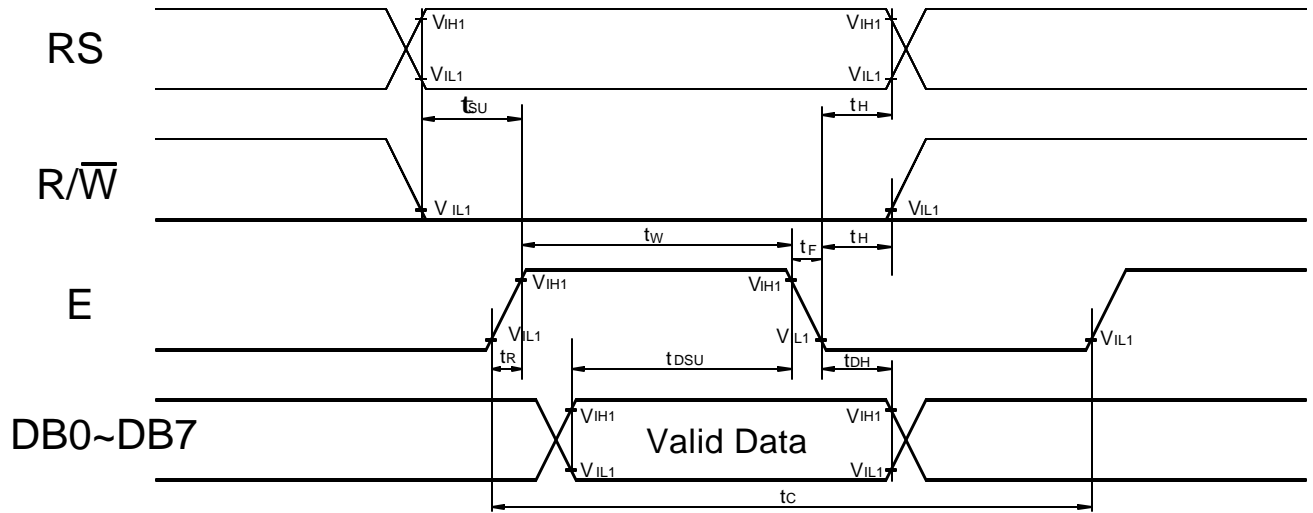


Fig. a Interface timing (data write)

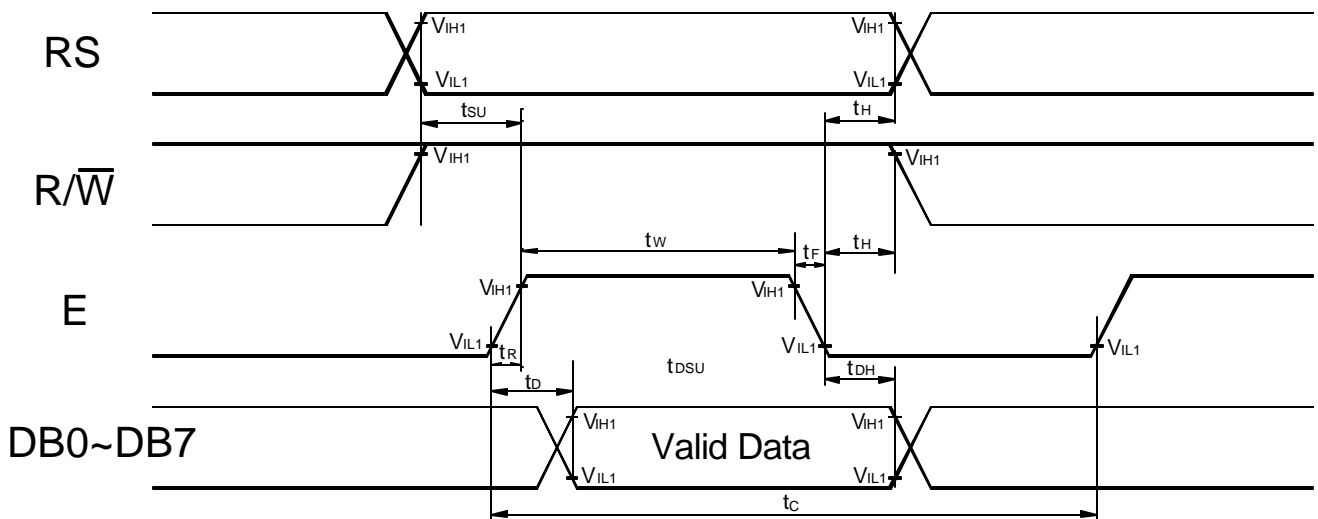
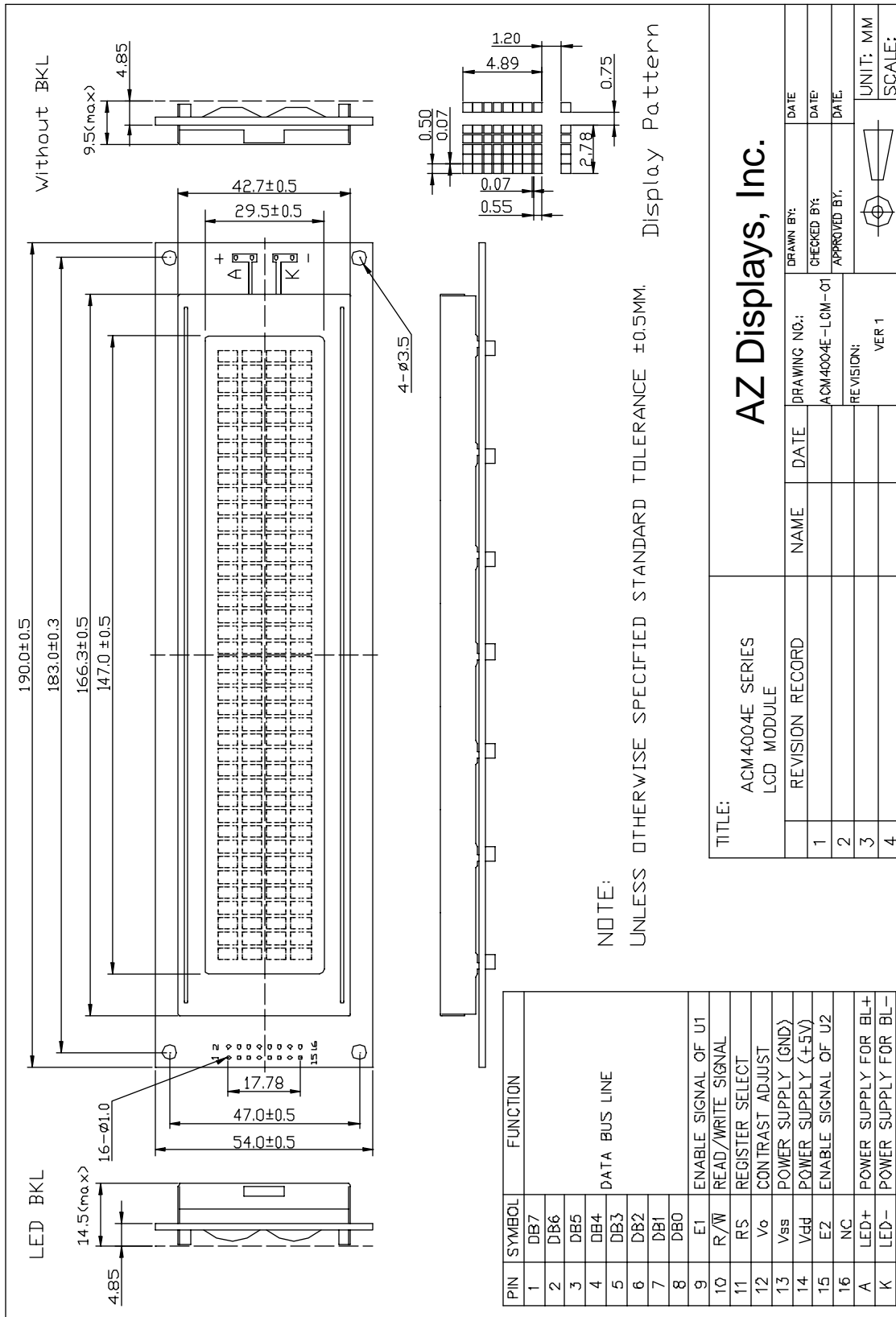


Fig. b Interface timing (data read)

ACM4004E SERIES LCD MODULE

9.0 MECHANICAL DIAGRAM



ACM4004E SERIES LCD MODULE

10.0 RELIABILITY TEST

Storage Condition	Content	Evaluations and Assessment*			
		Current Consumption	Oozing	Contrast	Other Appearances
Operation at high temperature and humidity	40° C, 90% RH, 240hrs	Twice initial value or less	none	More than 80% of initial value	No abnormality
High temperature storage	60° C, 240hrs	Twice initial value or less	none	More than 80% of initial value	No abnormality
Low temperature storage	-20° C, 240hrs	Twice initial value or less		More than 80% of initial value	No abnormality

*Evaluations and assessment to be made two hours after returning to room temperature (25° C±5° C).

*The LCDs subjected to the test must not have dew condensation.

ACM4004E SERIES LCD MODULE

11.0 DISPLAY INSTRUCTION TABLE

COMMAND	R S	R/ W	DB 7	DB 6	DB 5	DB 4	DB 3	DB 2	DB 1	DB 0	DESCRIPTION	Executing time fosc=250khz
Clear Display	0	0	0	0	0	0	0	0	0	1	Clears Display & Returns to Address 0.	1.64ms
Cursor at Home	0	0	0	0	0	0	0	0	1	x	Returns Cursor to Address 0. Also returns the display being shifted to the original position. DDRAM contents remain unchanged.	1.64ms
Entry Mode Set	0	0	0	0	0	0	0	1	I/D	S	I/D: Set Cursor Moving Direction I/D=1: Increment I/D=0: Decrement S: Specify Shift of Display S=1: The display is shifted S=0: The display is not shifted	40µs
Display ON/OFF Control	0	0	0	0	0	0	1	D	C	B	Display D=1: Display on D=0: Display off Cursor C=1: Cursor on C=0: Cursor off Brink B=1: Brink on B=0: Brink off	40µs
Cursor / Display Shift	0	0	0	0	0	1	S/C	R/L	x	x	Moves cursor or shifts the display w/o changing DD RAM contents S/C=0: Cursor Shift (RAM unchanged) S/C=1: Display Shift (RAM unchanged) R/L=1: Shift to the Right R/L=0: Shift to the Left	40µs
Function Set	0	0	0	0	1	DL	N	F	x	x	Sets data bus length (DL), # of display lines (N), and character fonts (F). DL=1: 8 bits F=0: 5x7 dots DL=0: 4 bits F=1: 5x10 dots N=0: 1 line display N=1: 2 lines display	40µs
Set CG RAM Address	0	0	0	1	Character Generator (CG) RAM Address					Sets CG RAM address. CG RAM data is sent and received after this instruction.		40µs
Set DD RAM Address	0	0	1	Display Data (DD) RAM Address / Cursor Address					Sets DD RAM address. DD Ram data is sent and received after this instruction.		40µs	
Busy Flag / Address Read	0	1	B F	Address counter used for both DD & CG RAM address					Reads Busy Flag (BF) and address counter contents.		40µs	
Write Data	1	0	Write Data								Writes data into DDRAM or CGRAM.	46µs
Read Data	1	1	Read Data								Reads data from DDRAM or CGRAM.	46µs

x: Don't Care

ACM4004E SERIES LCD MODULE

12.0 STANDARD CHARACTER PATTERNS

Lower 4 Bits	Upper 4 Bits															
	0000	0001	0010	0011	0100	0101	0110	0111	1000	1001	1010	1011	1100	1101	1110	1111
xxxx0000	CG RAM (1)			0	a	P	`	P			-	タ	ミ	α	ρ	
xxxx0001	(2)		!	1	A	Q	a	q			。	ア	チ	△	△	
xxxx0010	(3)		"	2	B	R	b	r			「	イ	ツ	×	ρ	
xxxx0011	(4)		#	3	C	S	c	s			」	ウ	テ	ε	ε	
xxxx0100	(5)		\$	4	D	T	d	t			、	エ	ト	⊥	μ	
xxxx0101	(6)		%	5	E	U	e	u			・	オ	ナ	⊥	ε	
xxxx0110	(7)		&	6	F	V	f	v			ヲ	カ	ニ	ヨ	ρ	
xxxx0111	(8)		'	7	G	W	g	w			ア	キ	ヌ	ウ	g	
xxxx1000	(1)		(8	H	X	h	x			イ	ク	ネ	リ	μ	
xxxx1001	(2))	9	I	Y	i	y			ウ	ケ	ル	ル	'	
xxxx1010	(3)		*	:	J	Z	j	z			エ	コ	ハ	レ	j	
xxxx1011	(4)		+	:	K	[k	[オ	サ	ヒ	ロ	*	
xxxx1100	(5)		,	<	L	¥	l	l			カ	シ	フ	ク	φ	
xxxx1101	(6)		-	=	M]	m]			ユ	ス	ハ	ン	モ	
xxxx1110	(7)		.	>	N	^	n	^			ヨ	セ	ホ	ハ	ン	
xxxx1111	(8)		/	?	O	_	o	_			ツ	ソ	マ	マ	○	

Note: The character generator RAM is the RAM with which the user can rewrite character patterns by program.