



Triode Type ACT25

UHF AMPLIFIER AND OSCILLATOR

General. A forced-air-cooled disc-seal transmitting triode suitable for use as an amplifier or oscillator in coaxial line or cavity circuits at frequencies up to 1,000 Mc/s. The ACT 25 is particularly suitable for wide band operation.

Cooling. The anode requires cooling by air blast. The volume of air necessary is about 30 cu. ft. per minute, at a pressure equal to a 2½-in. head of water. The grid seal also requires to be cooled by air and the volume of air necessary is about 5 cu. ft. per minute. All cooling supplies must be in operation before the application of any supply voltages, and must continue until after all voltages have been removed.

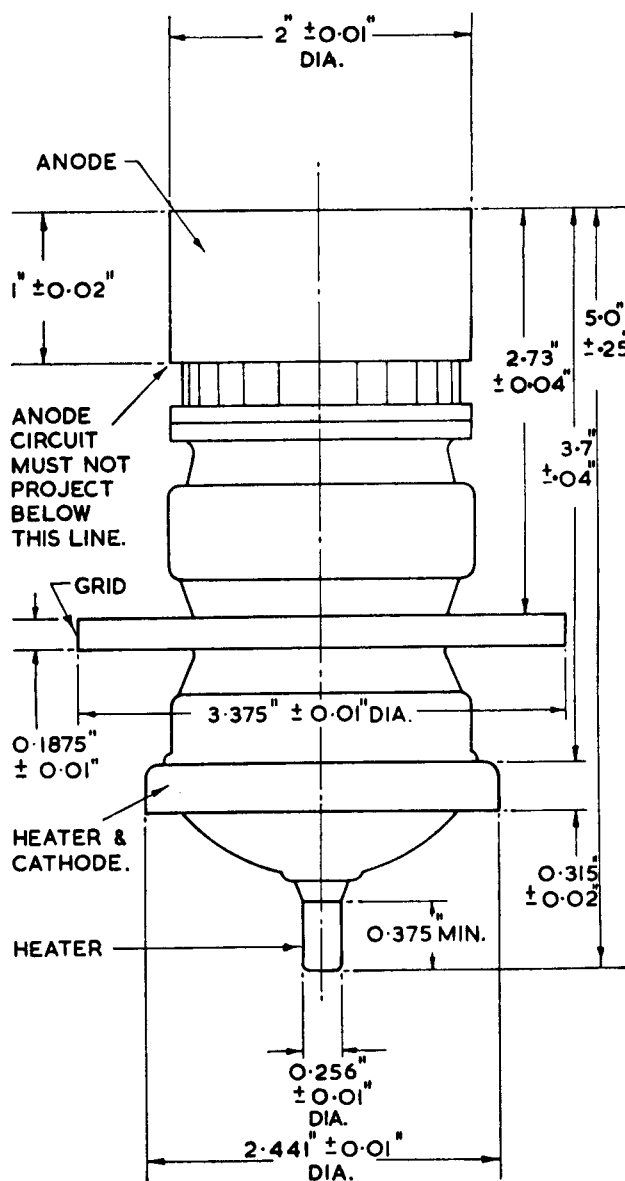
Mounting. The valve may be mounted in a vertical or a horizontal position. Rigid connections must be made to one electrode only and the valve must not be supported by bolts placed in the holes of the grid ring.

APPROXIMATE DATA

V_h	13.5	V
I_h	2.8	A
V_a (max)	1,000	V
P_a (max)	400	W
I_k (pk) (max)	5	A
I_{g1}	250	mA
μ	75	
g_m (taken at V_a 1000 V, I_a 250 mA)	35	mA/V
g_m (taken at $\frac{1}{2} I_k$ (pk))	70	mA/V
C_{a-g1}	13	pF
C_{a-k}	0.4	pF
C_{g1-k}	22	pF

Operating Data

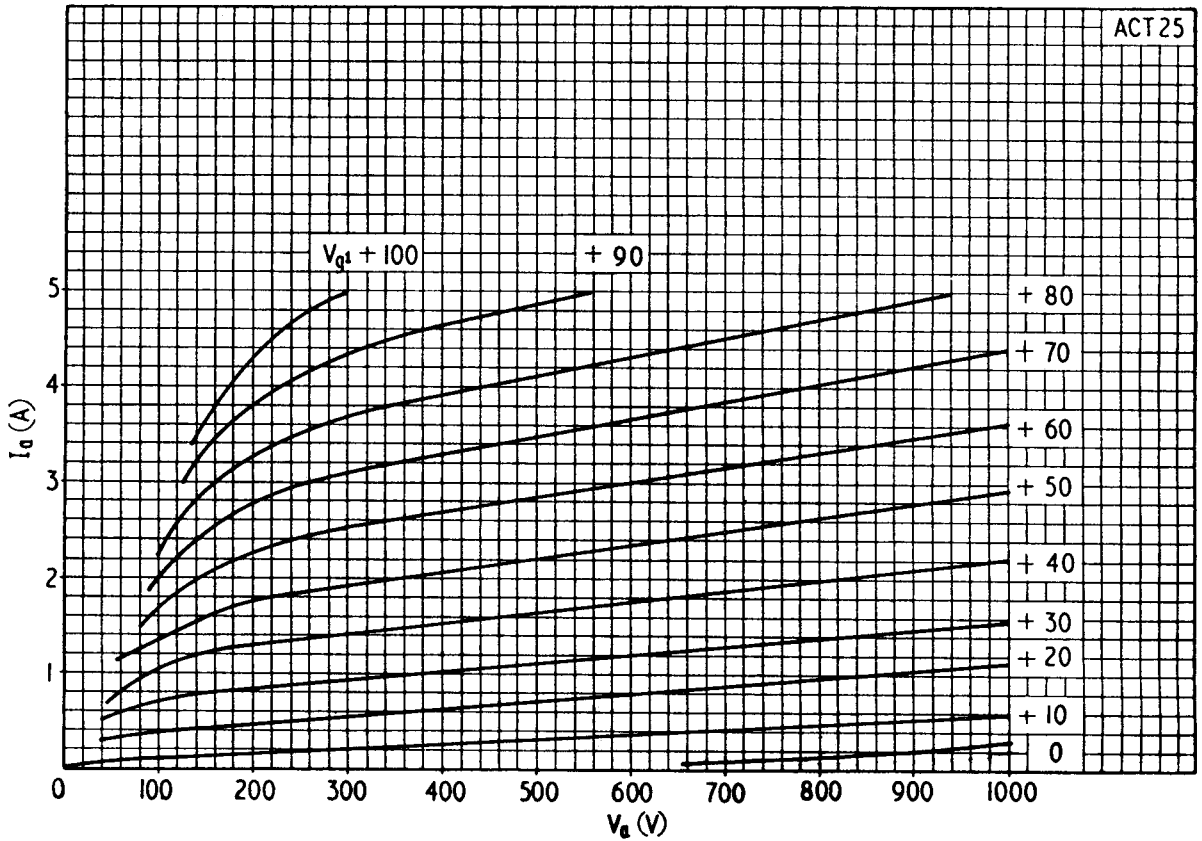
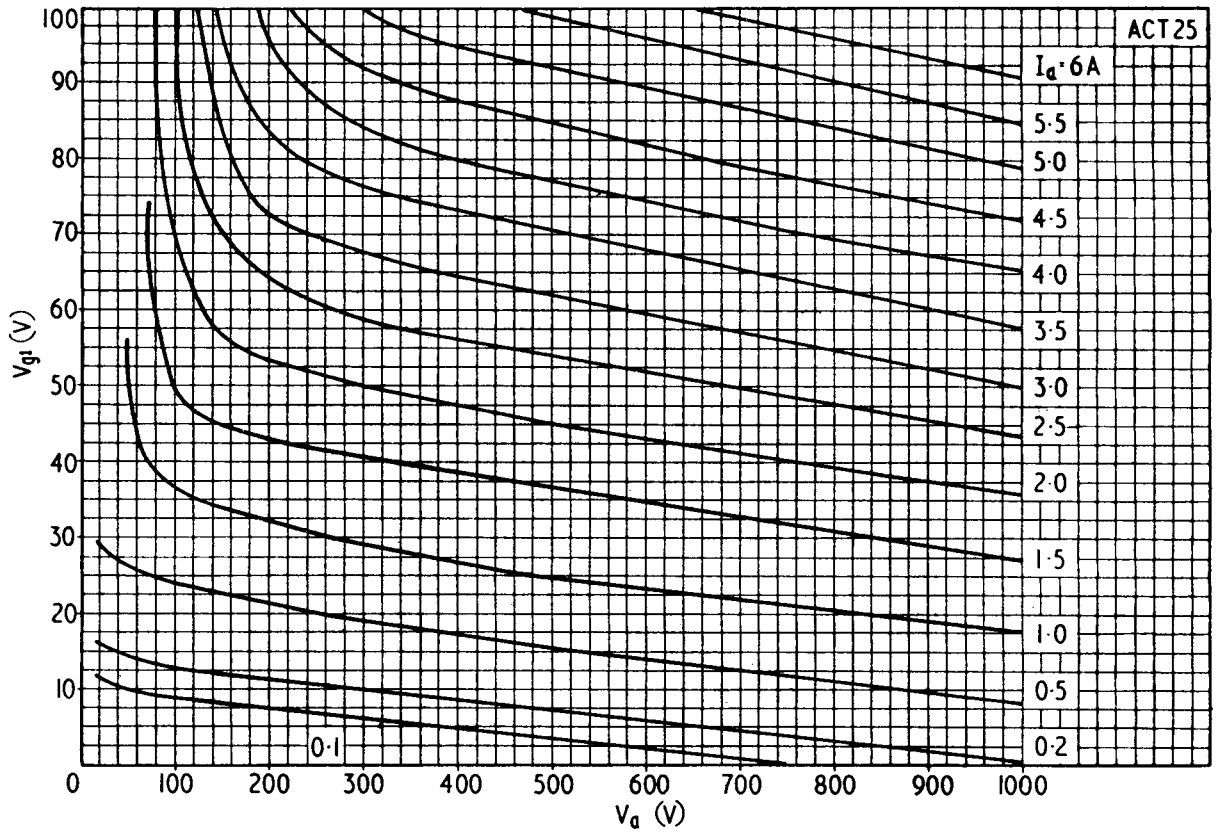
f	η	G as Common Grid Amplifier
< 600 Mc/s	60%	7 db
1,000 Mc/s	30%	3 db

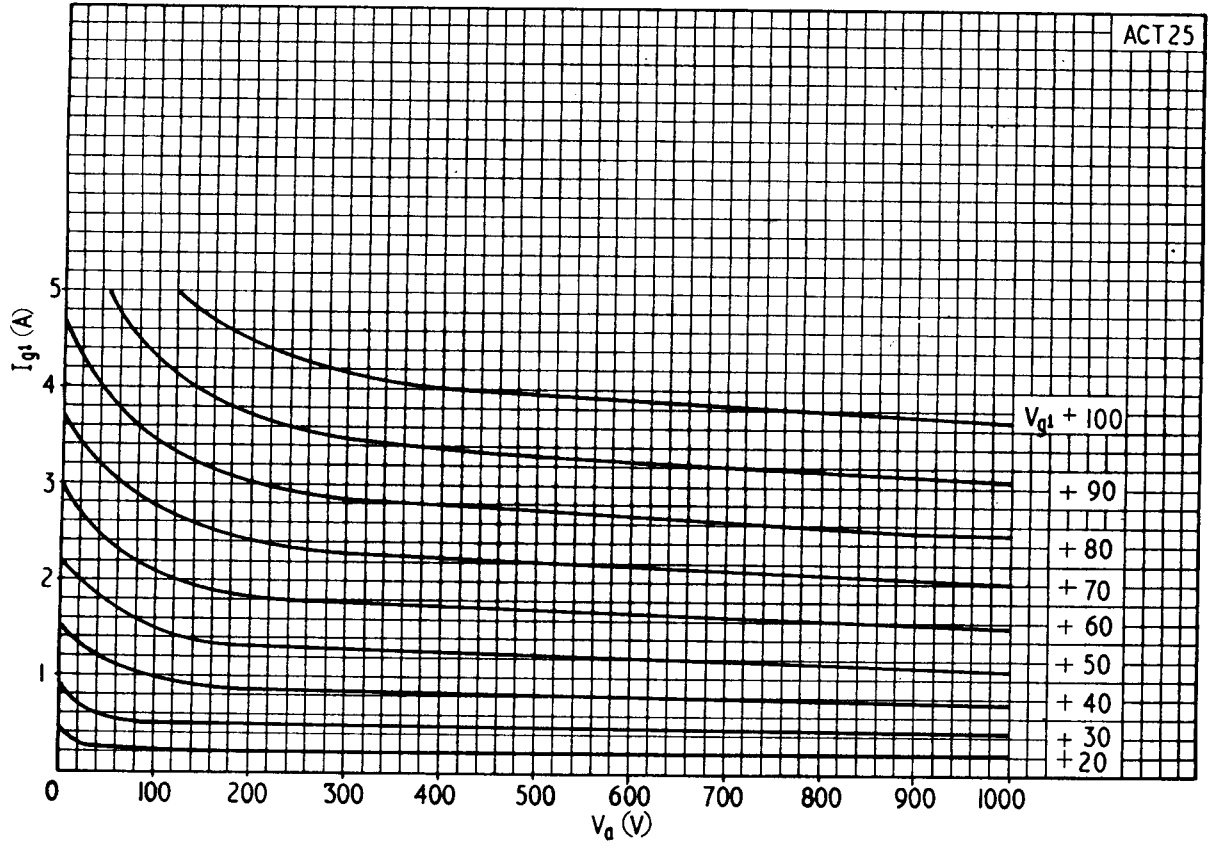
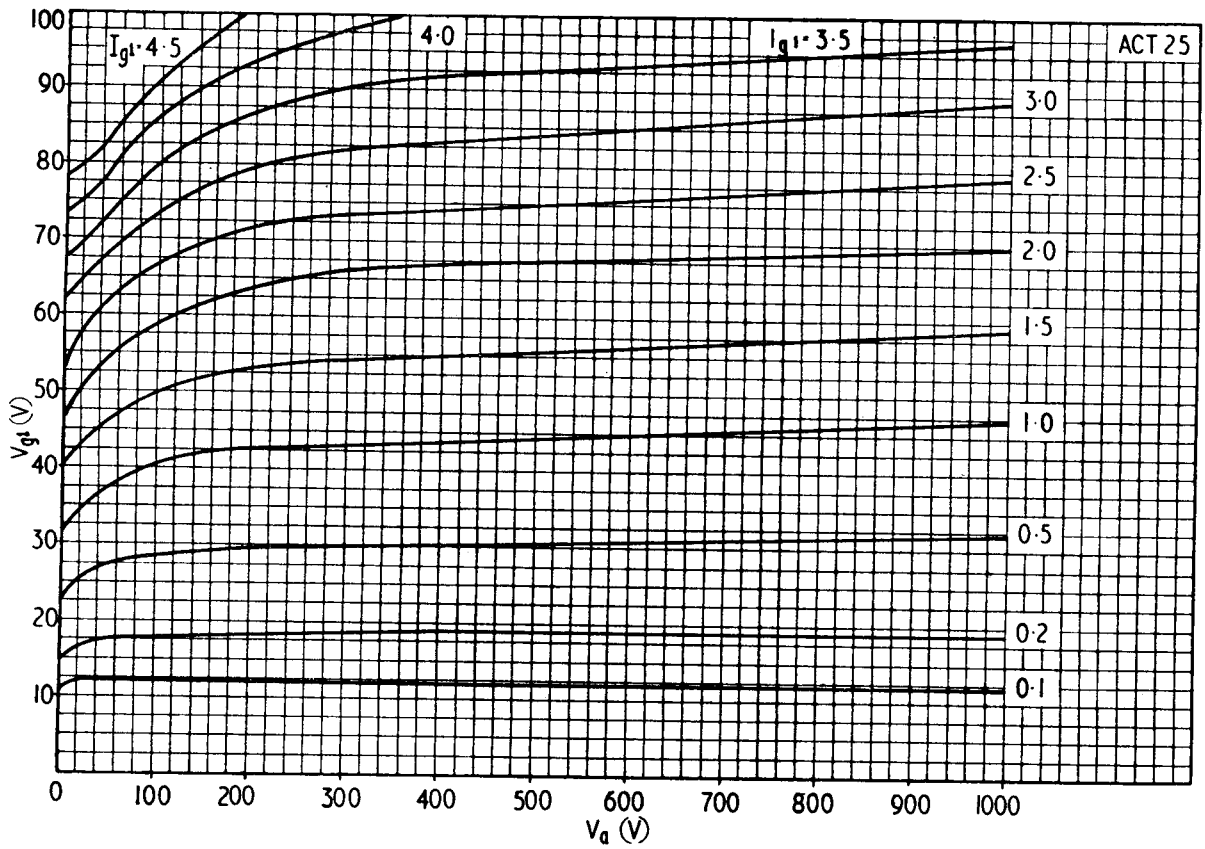


WEIGHT 1.31b. (590 gm.)

MARCONI'S WIRELESS TELEGRAPH COMPANY LIMITED

Head Office: Marconi House, Chelmsford, England. Telephone: Chelmsford 3221. Telegraphic Address: Expanse, Chelmsford







PRINTED IN ENGLAND