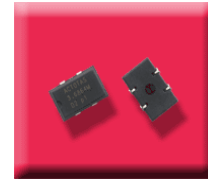


Compatible with Eu Directive
 2002/EC - RoHS

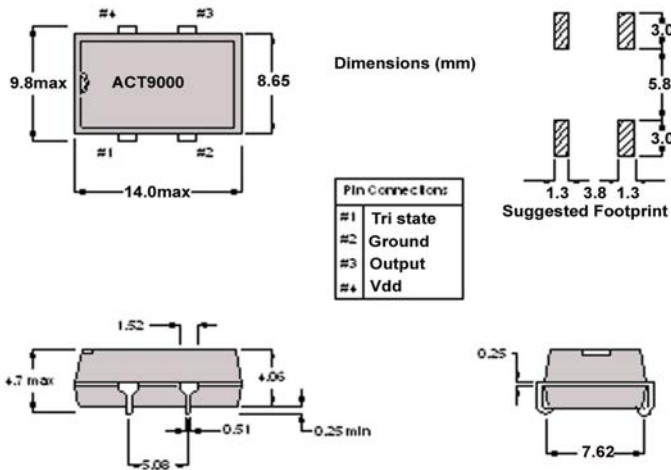
ACT9000

The ACT9000 is a "J" leaded Plastic, SMD, Tristate Enable/ Disable controlled clock oscillator. This 14 x 9.8mm device can be used in a wide range of applications, especially where board space requires small size, and automatic assembly is desirable. Offering a wide frequency range and two voltage options, it is suitable for design into many applications including Communications Equipment, Audio Visual, Measuring Instruments and many, many more.
 N.B. There is no red phosphorus present in this product.



Specification

Parameter	Symbol	Specification		Condition
Supply Voltage	Vdd	3.3VDC ± 10% 5.0VDC ±10%		
Frequency Range	fo	1.50 ~ 35.328 MHz (fundamental)		Please specify
		36.0 ~ 66.6MHz (3rd O/T)		
Frequency Stability	Δf/fo	66.7 ~ 180MHz (PLL)		Please specify
Temp Operating Range	Topr	Please refer to Table 1		Please specify
Temp Storage Range	Tstg	-55 to +125°C		
Supply Current (max)	Iop	20mA (1.50 ~ 7.9 MHz)		25mA (1.50 ~ 7.9MHz)
		40mA (8.0 ~29.9 MHz)		45mA (8.0 ~ 29.9 MHz)
		50mA (30.0 ~ 69.9 MHz)		60mA (30.0 ~ 70.0 MHz)
		60mA (70.0 ~ 79.9 MHz)		
		65mA (80.0 ~ 110.0 MHz)		
Duty Cycle	Tw/t	40/60% (45/55% available)		Please specify
Output Level '0'	VOL	0.4VDC max (TTL) 10% VDD max (HCMOS)		
Output Level '1'	VOH	2.4VDC min (TTL) 90% VDD min (HCMOS)		
Rise & Fall Time (max)	TrTf	8nS (1.50 ~ 23.9 MHz)		8nS (1.50 ~ 23.9 MHz)
		6nS (24.0 ~ 29.9 MHz)		6nS (24.0 ~ 29.9 MHz)
		4nS (30.0 ~ 59.9 MHz)		4nS (30.0 ~ 59.9 MHz)
		3nS (60.0~ 79.9 MHz)		3nS (60.0 ~70.0 MHz)
		2nS (80.0 ~ 110.0 MHz)		
Output Load	N/CL	5TTL / 15pF 10TTL/50pF		Please specify
Aging	Fa	±5ppm / year		@25°C



pad surface material
 Ag

Table 1 Frequency v Stability (Temperature, Aging, Vdd±10%, Load, and Tolerance at 25°C)

	+/-20ppm	+/-25ppm	+/-30ppm	+/-50ppm	+/-100ppm
-10 ~ +70°C	+	+	+	Standard	+
-20 ~ +70°C			+	+	+
-40 ~ +85 °C			+	+	+

Please note that all parameters can not necessarily be specified in the same device

Customer to specify : Frequency, Frequency Stability, Operating Temperature Range, Voltage, Duty Cycle

In line with our ongoing policy of product evolution and improvement, the above specification may be subject to change without notice

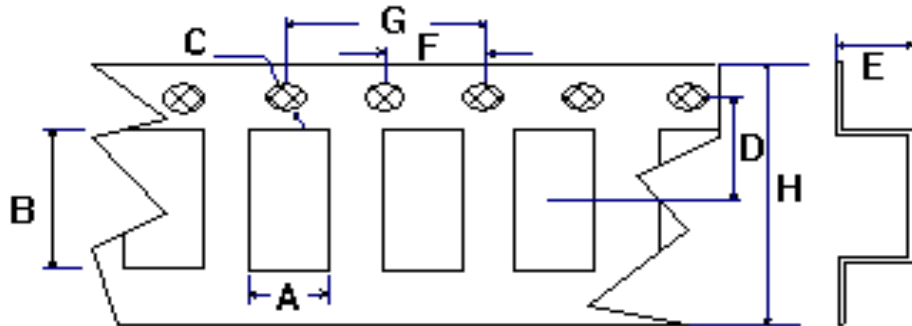
ISO9001:2000 Registered

For quotations or further information please contact us at:

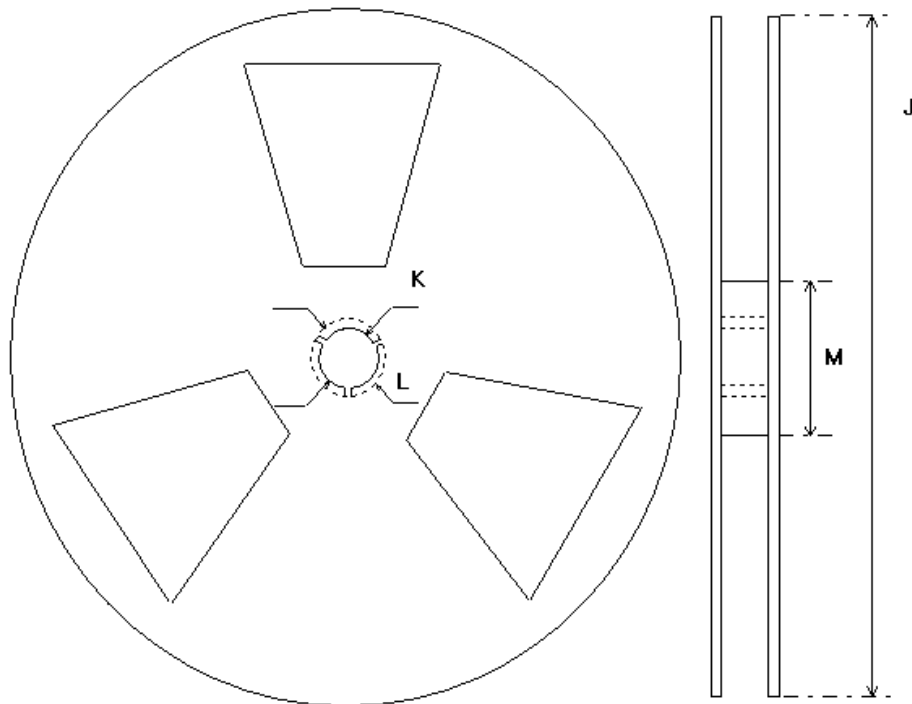
3 The Business Centre, Molly Millars Lane, Wokingham, Berkshire, RG41 2EY, UK
<http://www.actcrystals.com>

Issue: 4 D2
 Date: 26/09/05

ACT9000 TAPE AND REEL DIMENSIONS (mm)
Standard Reel 1000pcs



www.DataSheet4U.com



	A	B	C	D	E	F	G	H	J	K	L	M
ACT9000	10	14.2	1.5	11.5	5.5	4.0	8.0	24.0	330	13	23	80

In line with our ongoing policy of product evolution and improvement, the above specification may be subject to change without notice

ISO9001:2000 Registered

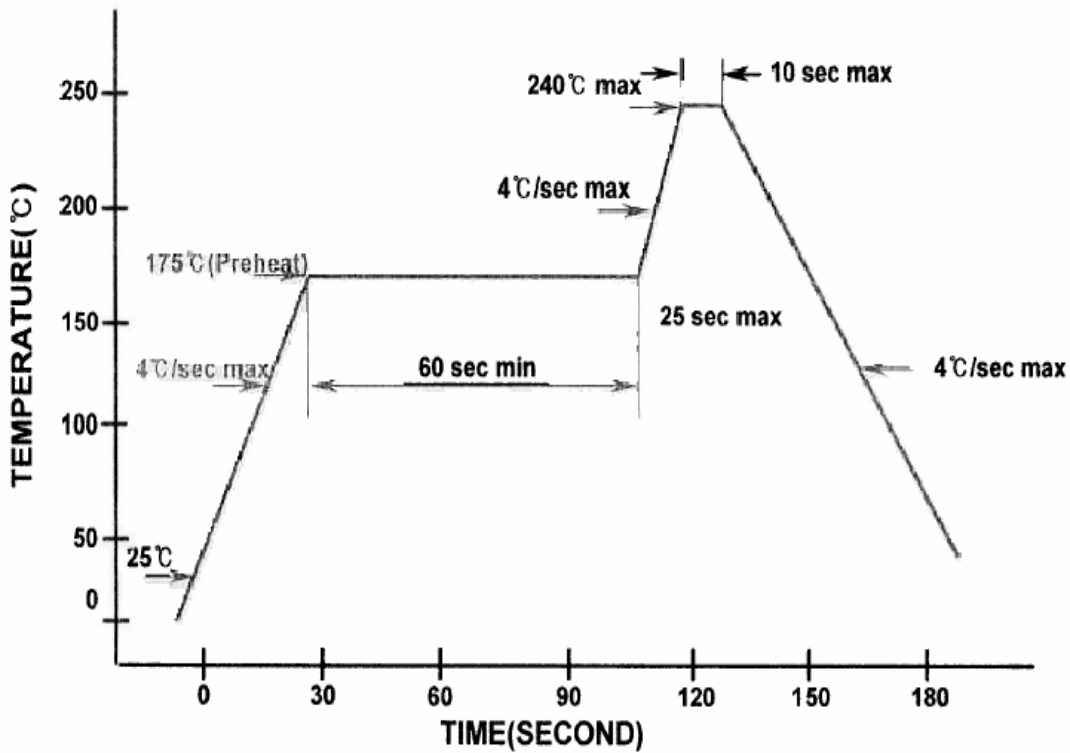
For quotations or further information please contact us at:
3 The Business Centre, Molly Millars Lane, Wokingham, Berkshire, RG41 2EY, UK
<http://www.actcrystals.com>

Issue: 4 D2
Date: 26/09/05

ACT9000 MAXIMUM REFLOW PROFILE

TOTAL TIME 25° TO 50°C	3 min
MAXIMUM TEMPERATURE	240°C
MAXIMUM TIME AT TOP TEMPERATURE	10s

www.DataSheet4U.com



In line with our ongoing policy of product evolution and improvement, the above specification may be subject to change without notice

ISO9001:2000 Registered

For quotations or further information please contact us at:
 3 The Business Centre, Molly Millars Lane, Wokingham, Berkshire, RG41 2EY, UK
<http://www.actcrystals.com>

Issue: 3 D2
 Date: 29/09/05