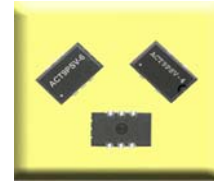


ACT9PSV-4/6

The ACT9PSV-4/6 is a family of 4 & 6 pad miniature surface mount Voltage Controlled Crystal Oscillators (VCXO) housed in a 14 x 9.8 mm plastic package. Only 4.7mm high it is ideal for high density automatic assembly printed circuit boards. These devices can be tuned between $\pm 50\text{ppm}$ & $\pm 200\text{ppm}$ from the nominal frequency by varying the voltage on pin 1.

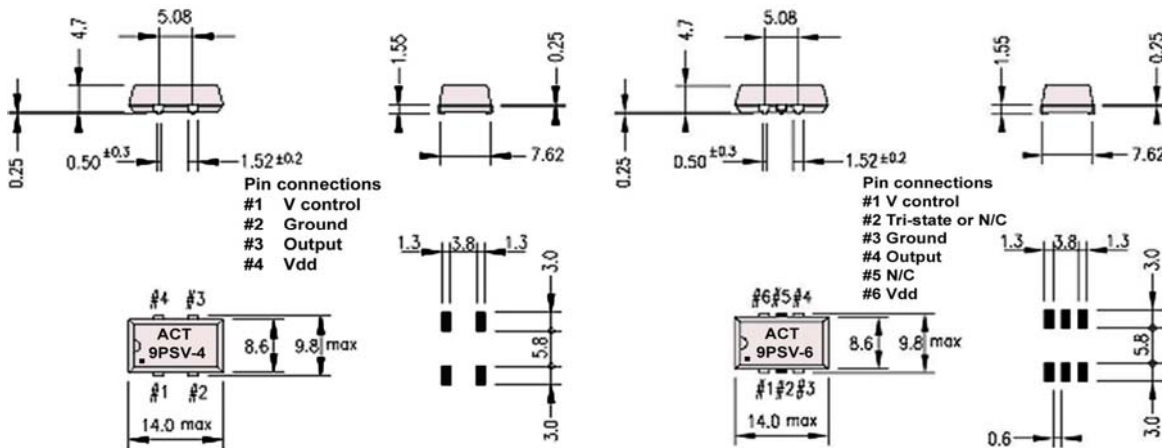
Applications include Networking, Telecomms, PLL circuits, Set Top Boxes, Audio/Video, Video Game Consoles and many more.....

Compatible with Eu Directive
2002/EC - RoHS



Specification

Parameter	Symbol	Specification		Condition
Supply Voltage	VDD	3.3V _{DC} $\pm 5\%$	5.0V _{DC} $\pm 5\%$ max	Please specify
Frequency Range	f _o	1.5 ~ 180.0 MHz	1.5 ~ 52.0 MHz	
Frequency Stability	$\Delta f/f_0$	$\pm 25\text{ppm} \sim 100\text{ppm}$		Please specify
Temp Operating Range	T _{opr}	0 to +70°C (std) & -40 ~ +85°C		Please specify
Storage Temp Range	T _{stg}	-55 to 125°C		
Supply Current	I _{op}	60mA max		
Duty Cycle	T _w /t	40/60% (std) & 45/55%		Please specify
Rise & Fall Time	T _r /T _f	1.5 ~ 35.0 MHz	6nS max	
		36.0 ~ 70.0 MHz	5nS max	
		70.0 ~ 180 MHz	4nS max	
Output Logic		TTL / HCMOS		
Output Load	N/CL	10TTL / 15pF HCMOS		
Output Voltage	V _{OL}	0.4V _{DC} min (TTL), 10% V _{DD} min (HCMOS)		
	V _{OH}	2.4V _{DC} min (TTL), 90% V _{DD} min (HCMOS)		
Voltage Control	V _c	1.65V _{DC} $\pm 1.65\text{V}$	2.5V _{DC} $\pm 2.0\text{V}$	
Slope		Positive		
Linearity		10% standard 5% option		Please specify
Pulling Range	Δf_c	$\pm 50 \sim \pm 200\text{ppm}$	$\pm 50\text{ppm} \sim \pm 125\text{ppm}$	
Start Up Time	T _{osc}	10mS max		
Aging	F _a	$\pm 5\text{ppm} / \text{year max @} 25^\circ\text{C}$		



Pad surface material Ag
10-30um

Please note that all parameters can not necessarily be specified in the same device

Customer to specify : Frequency, Frequency Tolerance, Operating Temperature Range, Supply Voltage, Pulling Range, linearity & Symmetry

In line with our ongoing policy of product evolution and improvement, the above specification may be subject to change without notice

ISO9001:2000 Registered

For quotations or further information please contact us at:

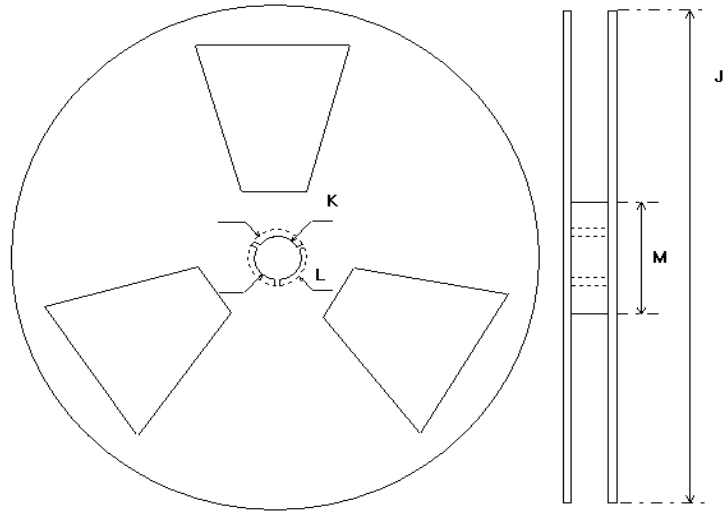
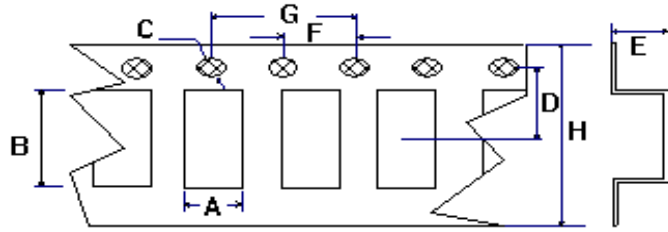
3 The Business Centre, Molly Millars Lane, Wokingham, Berkshire, RG41 2EY, UK

<http://www.actcrystals.com>

Issue: 5 D2

Date: 15/11/05

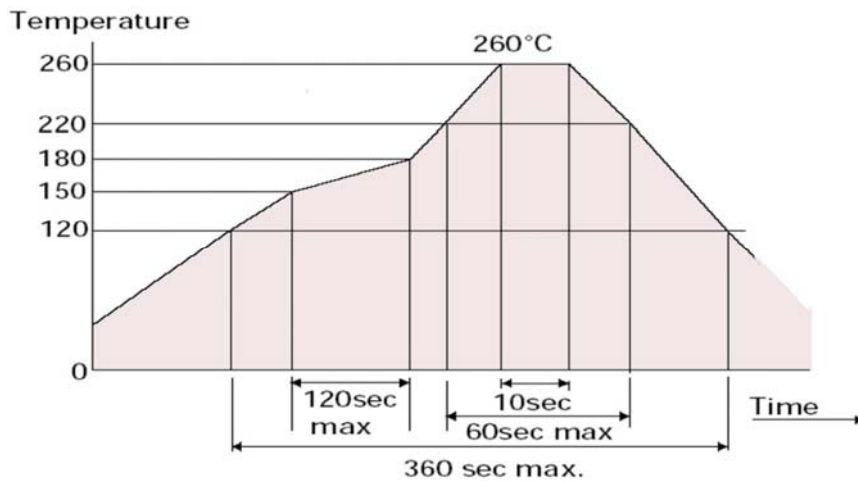
ACT9PSV-4/6 TAPE AND REEL DIMENSIONS (mm)
STANDARD REEL SIZE 1000PCS



www.DataSheet4U.com

	A	B	C	D	E	F	G	H	J	K	L	M
ACT9PSV	10	14.2	1.5	11.5	5.5	4.0	8.0	24.0	330	13	23	80

Maximum re-flow profile



In line with our ongoing policy of product evolution and improvement, the above specification may be subject to change without notice

ISO9001:2000 Registered

For quotations or further information please contact us at:
3 The Business Centre, Molly Millars Lane, Wokingham, Berkshire, RG41 2EY, UK
<http://www.actcrystals.com>

Issue: 5 D2
Date: 15/11/05