

January 1996

**Features**

- Devices QML Qualified in Accordance with MIL-PRF-38535
- Detailed Electrical and Screening Requirements are Contained in SMD# 5962-96715 and Intersil' QM Plan
- 1.25 Micron Radiation Hardened SOS CMOS
- Total Dose ..... >300K RAD (Si)
- Single Event Upset (SEU) Immunity: <1 x 10<sup>-10</sup> Errors/Bit/Day (Typ)
- SEU LET Threshold ..... >100 MEV-cm<sup>2</sup>/mg
- Dose Rate Upset ..... >10<sup>11</sup> RAD (Si)/s, 20ns Pulse
- Dose Rate Survivability ..... >10<sup>12</sup> RAD (Si)/s, 20ns Pulse
- Latch-Up Free Under Any Conditions
- Military Temperature Range ..... -55°C to +125°C
- Significant Power Reduction Compared to ALSTTL Logic
- DC Operating Voltage Range ..... 4.5V to 5.5V
- Input Logic Levels
  - VIL = 0.8V Max
  - VIH = VCC/2 Min
- Input Current ≤ 1μA at VOL, VOH
- Fast Propagation Delay ..... 17ns (Max), 11ns (Typ)

**Description**

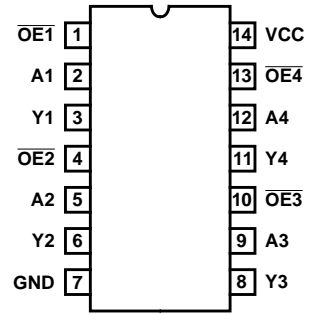
The Intersil ACTS125MS is a Radiation Hardened Quad Buffer with Three-State outputs. Each output has it's own enable input, which when "HIGH" puts the output in a high impedance state.

The ACTS125MS utilizes advanced CMOS/SOS technology to achieve high-speed operation. This device is a member of radiation hardened, high-speed, CMOS/SOS Logic Family.

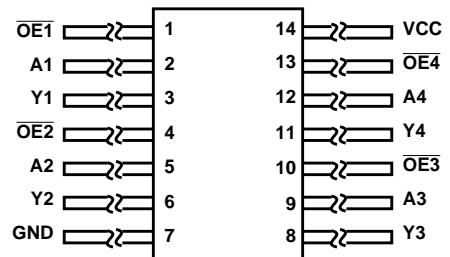
The ACTS125MS is supplied in a 14 lead Ceramic flatpack (K suffix) or a Ceramic Dual-In-Line Package (D suffix).

**Pinouts**

14 PIN CERAMIC DUAL-IN-LINE  
MIL-STD-1835 DESIGNATOR, CDIP2-T14,  
LEAD FINISH C  
TOP VIEW



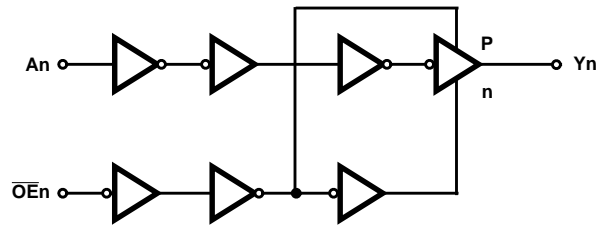
14 PIN CERAMIC FLATPACK  
MIL-STD-1835 DESIGNATOR, CDFP3-F14  
LEAD FINISH C  
TOP VIEW



**Ordering Information**

PART NUMBER	TEMPERATURE RANGE	SCREENING LEVEL	PACKAGE
5962F9671501VCC	-55°C to +125°C	MIL-PRF-38535 Class V	14 Lead SBDIP
5962F9671501VXC	-55°C to +125°C	MIL-PRF-38535 Class V	14 Lead Ceramic Flatpack
ACTS125D/Sample	25°C	Sample	14 Lead SBDIP
ACTS125K/Sample	25°C	Sample	14 Lead Ceramic Flatpack
ACTS125HMSR	25°C	Die	Die

**Functional Diagram**



TRUTH TABLE

INPUTS		OUTPUT
An	$\overline{OEn}$	Yn
L	L	L
H	L	H
X	H	Z

NOTE: L = Low, H = High, X = Don't Care, Z = High Impedance

# ACTS125MS

## Die Characteristics

### DIE DIMENSIONS:

88 x 88 (mils)  
2.24 x 2.24 (mm)

### METALLIZATION:

Type: AlSi  
Metal 1 Thickness:  $7.125k\text{\AA} \pm 1.125k\text{\AA}$   
Metal 2 Thickness:  $9k\text{\AA} \pm 1k\text{\AA}$

### GLASSIVATION:

Type: SiO<sub>2</sub>  
Thickness:  $8k\text{\AA} \pm 1k\text{\AA}$

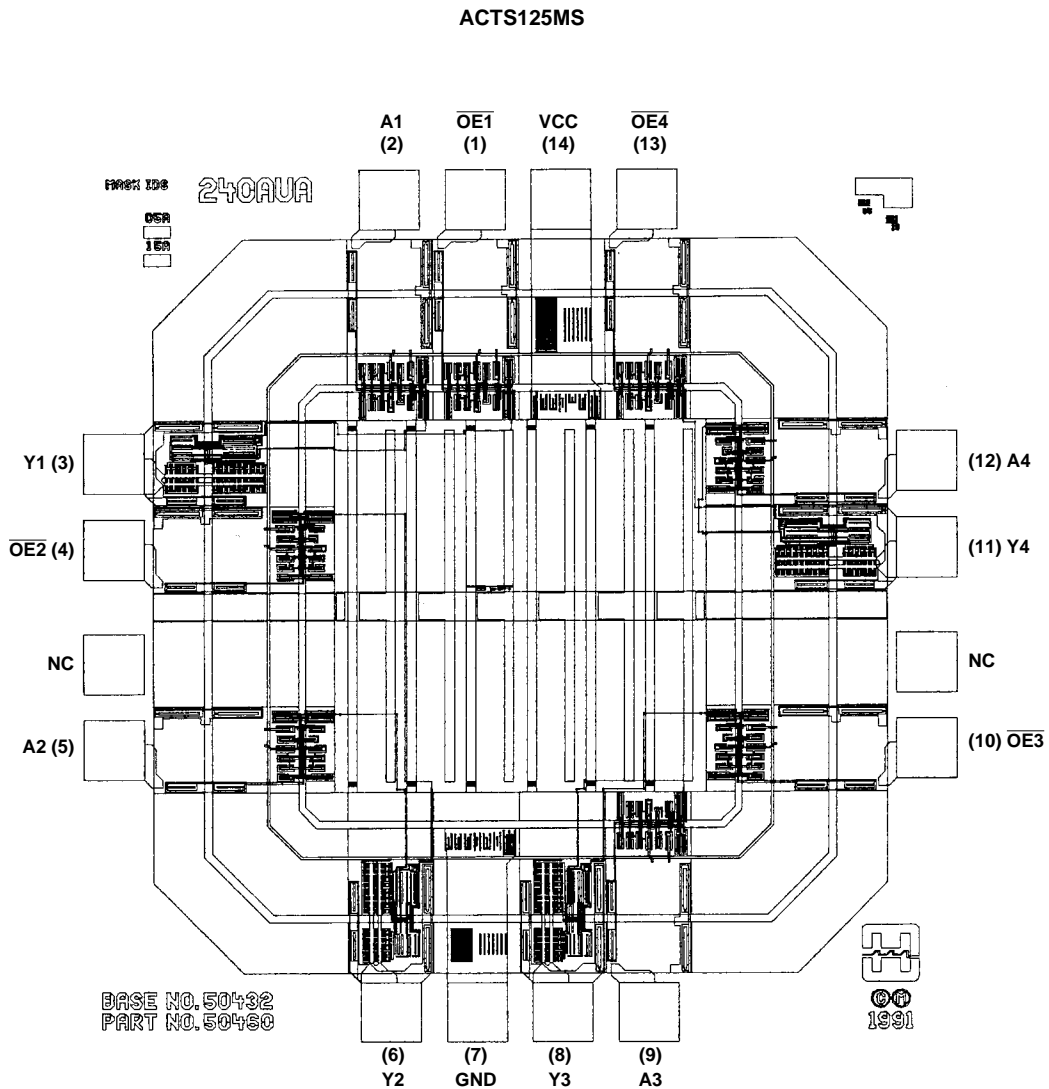
### WORST CASE CURRENT DENSITY:

$< 2.0 \times 10^5 \text{ A/cm}^2$

### BOND PAD SIZE:

$> 4.3 \times 4.3$  (mils)  
 $> 110 \times 110$  ( $\mu\text{m}$ )

## Metallization Mask Layout



All Intersil semiconductor products are manufactured, assembled and tested under **ISO9000** quality systems certification.

*Intersil products are sold by description only. Intersil Corporation reserves the right to make changes in circuit design and/or specifications at any time without notice. Accordingly, the reader is cautioned to verify that data sheets are current before placing orders. Information furnished by Intersil is believed to be accurate and reliable. However, no responsibility is assumed by Intersil or its subsidiaries for its use; nor for any infringements of patents or other rights of third parties which may result from its use. No license is granted by implication or otherwise under any patent or patent rights of Intersil or its subsidiaries.*

For information regarding Intersil Corporation and its products, see web site <http://www.intersil.com>

***Sales Office Headquarters***

**NORTH AMERICA**

Intersil Corporation  
P. O. Box 883, Mail Stop 53-204  
Melbourne, FL 32902  
TEL: (407) 724-7000  
FAX: (407) 724-7240

**EUROPE**

Intersil SA  
Mercure Center  
100, Rue de la Fusee  
1130 Brussels, Belgium  
TEL: (32) 2.724.2111  
FAX: (32) 2.724.22.05

**ASIA**

Intersil (Taiwan) Ltd.  
Taiwan Limited  
7F-6, No. 101 Fu Hsing North Road  
Taipei, Taiwan  
Republic of China  
TEL: (886) 2 2716 9310  
FAX: (886) 2 2715 3029