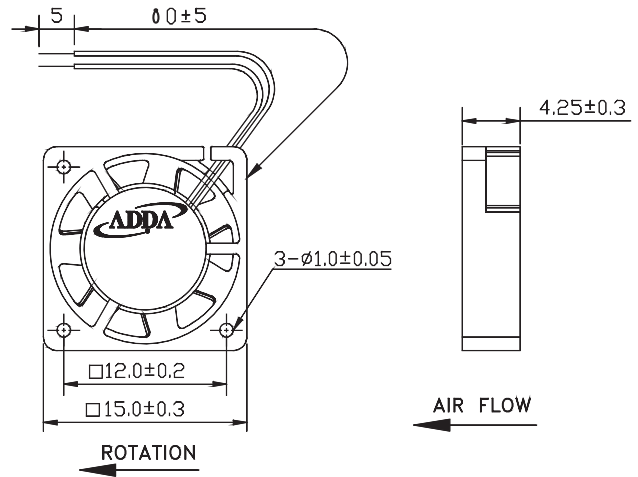




# AD1504 SERIES



## External Dimensions



**Frame:**Die-casting(UL:AL)  
**Impeller:**Plastic(UL:94V-0)  
**Lead wire:**UL1571AWG30

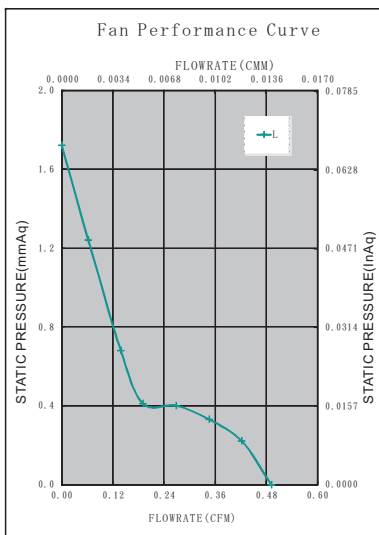
## Specifications(Nominal)

\*Noise is measured at the distance of one (1) meter from the axis of intake.

Bearing type: ○=Ball ※=Sleeve ◯=1B1S ●=Hypro bearing

Frame size (mm)	Model No.	Bearing System Type	Rated Voltage (VDC)	Current (A)	Power (W)	Rated Speed (rpm)	Maximum AirFlow (CMM)	Maximum AirFlow (CFM)	Maximum Pressure (InAq)	Maximum Pressure (mmAq)	*Noise Level (dB/A)	Weight (g)
15x15x04	AD01502LX047000(00TX)	●	2.5	0.08	0.200	17000	0.014	0.493	0.067	1.702	18.5	1.9

Specifications subject to change without notice.



\*Motor protective circuit and third lead wire functions

0	1	2	3	4	6	7	8	9	A	B
✓					✓					

\*Safety approvals

				✓