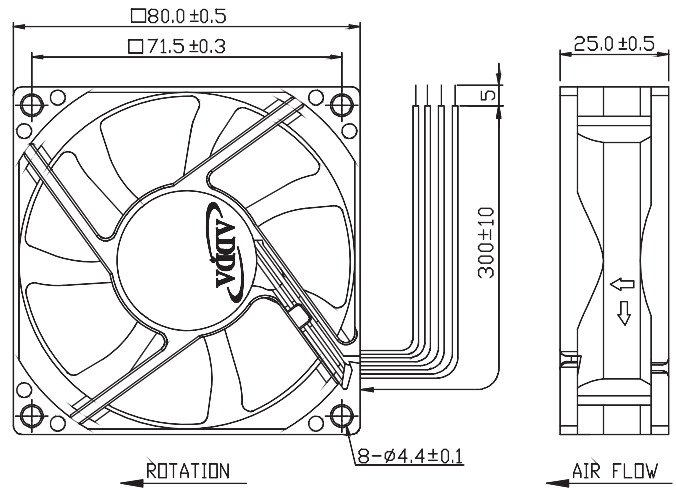




# AD8025 3 PHASES SERIES

## External Dimensions



Frame: Plastic (UL: 94V-0)  
 Impeller: Plastic (UL: 94V-0)  
 Lead wire: UL 1061 AWG 26

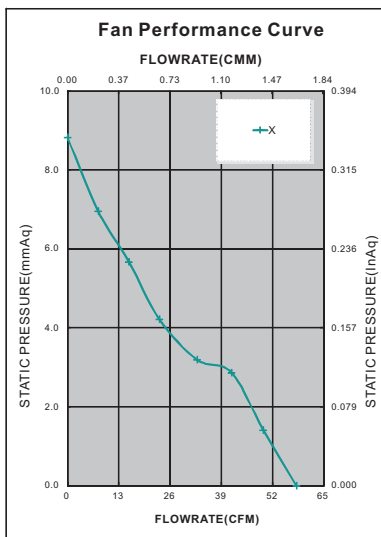
## Specifications (Nominal)

\*: Noise is measured at the distance of one (1) meter from the axis of intake.

Bearing type: ⊙=Ball ※=Sleeve ○=1B1S ●=Hypro bearing

Frame size (mm)	Model No.	Bearing System Type	Rated Voltage (VDC)	Current (A)	Power (W)	Rated Speed (rpm)	Maximum AirFlow (CMM)	Maximum AirFlow (CFM)	Maximum Pressure (InAq)	Maximum Pressure (mmAq)	*Noise Level (dB/A)	Weight (g)
80x80x25	AD08012XB257BZ0	⊙	12	0.29	3.48	4500	1.643	58.070	0.347	8.813	46.3	85.0

Specifications subject to change without notice.



\*Motor protective circuit and third lead wire functions

0	1	2	3	4	6	7	8	9	A	B
	✓		✓					✓		✓

\*Safety approvals

				✓