

FEATURES

18-Bit Resolution

Low Nonlinearity

Differential: $\pm 1/2\text{LSB}$ max

Integral: $\pm 1/2\text{LSB}$ max

High Stability

Differential TC: $\pm 1\text{ppm}/^\circ\text{C}$ max

Integral TC: $\pm 1/2\text{ppm}/^\circ\text{C}$ max

Gain TC (with Reference): $\pm 4\text{ppm}/^\circ\text{C}$ max

Fast Settling

Full Scale: $40\mu\text{s}$ to $\pm 0.00019\%$

LSB: $6\mu\text{s}$ to $\pm 0.00019\%$

Small Hermetic 32-Lead Triple DIP Package

Low Cost

APPLICATIONS

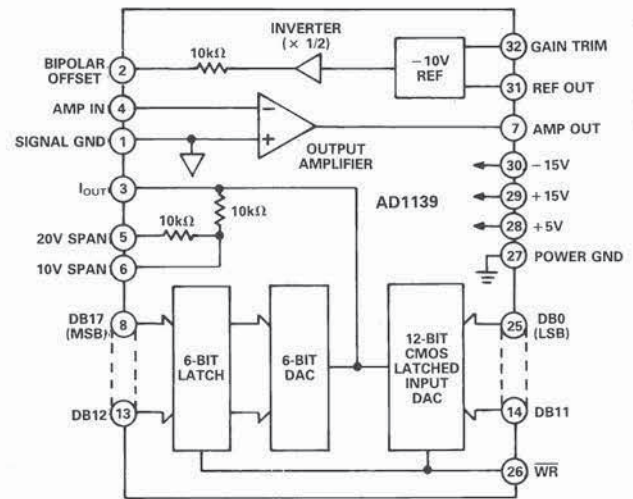
Automatic Test Equipment

Scientific Instrumentation

Beam Positioners

Digital Audio

AD1139 FUNCTIONAL BLOCK DIAGRAM



GENERAL DESCRIPTION

The AD1139 is the first DAC offering 18-bit resolution (1 part in 262,144) and true 18-bit accuracy in a component size hybrid package. A proprietary bit switching technique provides high accuracy, speed and stability without compromising small size or low cost.

The AD1139 is a complete DAC with precision internal reference, latched data inputs and a quality output voltage amplifier. The analog output voltage ranges are pin programmable to +5V, +10V, $\pm 5\text{V}$ and $\pm 10\text{V}$. Current output is also provided for use with external amplifiers. The internal precision -10V reference has a low $\pm 3\text{ppm}/^\circ\text{C}$ maximum temperature coefficient and is available for ratiometric applications.

The AD1139K is a true 18-bit accurate DAC with $\pm 1/2\text{LSB}$ maximum differential and integral nonlinearity. The differential and integral nonlinearity temperature stability is guaranteed at $\pm 1\text{ppm}/^\circ\text{C}$ maximum and $\pm 1/2\text{ppm}/^\circ\text{C}$ maximum, respectively.

The AD1139 settles to within $\pm 1/2\text{LSB}$ at 18 bits ($\pm 0.00019\%$) in $40\mu\text{s}$ for a full-scale step (10V). The glitch energy is a low $400\text{mV} \times 500\text{ns}$ for a major carry, and wideband output noise is only $15\mu\text{V}$.

The AD1139 operates from $\pm 15\text{V}$ dc and $+5\text{V}$ dc power supplies. Digital inputs are 5V CMOS compatible with binary input coding for unipolar output ranges and offset binary coding for bipolar ranges.

PRODUCT HIGHLIGHTS

1. Eighteen-bit resolution with $\pm 1/2\text{LSB}$ maximum differential and integral nonlinearity in a hermetic 32-lead triple DIP package.
2. Complete DAC with internal reference, stable low-noise output amplifier, latched DAC inputs, reference output and internal application resistors for programmable output voltage ranges.
3. Temperature compensated internal precision reference with $\pm 0.1\%$ maximum initial accuracy and $\pm 3\text{ppm}/^\circ\text{C}$ maximum tempco.
4. Four pin programmable output voltage ranges ($+5\text{V}$, $+10\text{V}$, $\pm 5\text{V}$, $\pm 10\text{V}$) and current output available (-1mA , $\pm 0.5\text{mA}$).
5. The 18-bit parallel input latch assists in microprocessor interface.
6. Accurate measurements of the DAC's output are unusually simple since the AD1139 does *not* suffer from code dependent ground current errors.
7. True analog output remote sense capability.

AD1139* Product Page Quick Links

Last Content Update: 11/01/2016

[Comparable Parts](#)

View a parametric search of comparable parts

[Documentation](#)

Data Sheet

- AD1139: High Accuracy, 18-Bit Digital-to-Analog Converter Scanned Data Sheet

[Software and Systems Requirements](#)

- Military Part Cross-Reference Guide
- Military Products by Function
- Military Products by GENERIC Part Number
- SMD to Generic Cross Reference

[Reference Materials](#)

Solutions Bulletins & Brochures

- Digital to Analog Converters ICs Solutions Bulletin

[Design Resources](#)

- AD1139 Material Declaration
- PCN-PDN Information
- Quality And Reliability
- Symbols and Footprints

[Discussions](#)

View all AD1139 EngineerZone Discussions

[Sample and Buy](#)

Visit the product page to see pricing options

[Technical Support](#)

Submit a technical question or find your regional support number

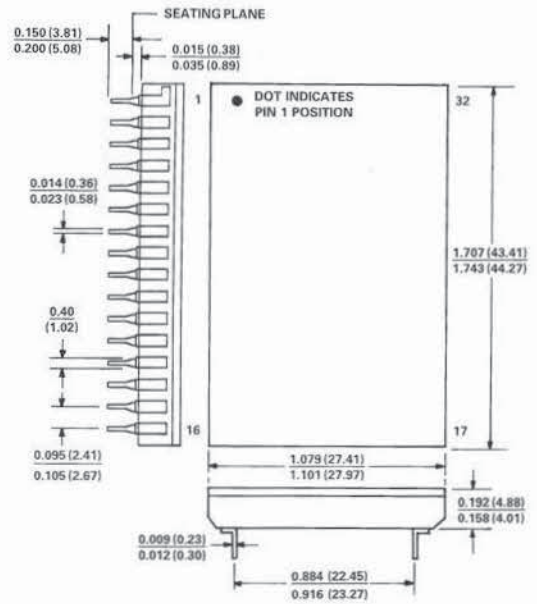
AD1139—SPECIFICATIONS (typical @ +25°C and rated supplies unless otherwise specified.)

Model	AD1139J	AD1139K [†]
RESOLUTION	18 Bits	*
ACCURACY		
Differential Nonlinearity	± 1LSB max (= ± 0.00038% max)	± 1/2LSB max (= ± 0.00019% max)
Integral Nonlinearity	± 1LSB max (= ± 0.00038% max)	± 1/2LSB max (= ± 0.00019% max)
Monotonicity (18 Bits)	Guaranteed	*
Initial Errors ¹		
Unipolar Gain Error	± 0.01%	*
Bipolar Gain Error	± 0.02%	*
Offset Error	± 0.01%	*
Bipolar Offset Error	± 0.01%	*
STABILITY (ppm FSR ² /°C)		
Differential Nonlinearity ³	± 1 max	± 0.5 typ, ± 1 max
Integral Nonlinearity ³	± 0.5 max	*
Gain (Including V _{REF})	± 4 max	*
Offset		*
Unipolar Mode	± 1 max	*
Bipolar Mode	± 1 max	*
STABILITY (Long Term, ppm FSR ² /1000 hour)		
Differential Nonlinearity ⁴	± 0.5	*
Gain (Including V _{REF})	± 15	*
Offset	± 1	*
Bipolar Offset	± 2	*
Reference Output Voltage	± 15	*
WARMUP TIME (MINIMUM)	15 minutes	*
REFERENCE VOLTAGE (V _{REF})		
Output Voltage (@ 5 mA max)	-10V (± 0.1% max)	*
Noise (BW = 0.1-10Hz)	20μV pk-pk	10μV pk-pk
Noise (BW = 100kHz)	50μV rms	*
Tempco	3ppm/°C max	*
DYNAMIC PERFORMANCE		
Settling Time to 1/2LSB (@ 18 Bits) ⁵		
Voltage		
Unipolar (10V Step)	40μs	*
Bipolar (20V Step)	60μs	*
Unipolar (LSB Step)	6μs	*
Bipolar (LSB Step)	8μs	*
Slew Rate	2V/μs	*
Current ⁶		
Full-Scale Step	10μs	*
LSB Step	6μs	*
Glitch Energy (Major Carry @ 20MHz Bandwidth 0-to-10V Range)	400mV (500ns Duration)	*
DIGITAL INPUTS (5V CMOS Compatible)		
V _{IL}	≤ 0.8V	*
V _{IH}	≥ 3.5V	*
Unipolar Code	Binary (BIN)	*
Bipolar Code	Offset Binary (OBN)	*
ANALOG OUTPUT		
Current ⁴	-1mA, ± 0.5mA	*
Voltage (Pin Programmable)	+5V, +10V, ±5V, ±10V	*
Noise (Includes V _{REF})		
BW = 0.1-10Hz (μV pk-pk)	2 × FSR	1 × FSR
BW = 100kHz (Unipolar)	15μV rms	*
BW = 100kHz (Bipolar)	45μV rms	*
VOLTAGE COMPLIANCE	± 10mV	*
Source Resistance		
Unipolar	3.3kΩ	*
Bipolar	2.85kΩ	*
Source Capacitance	10pF	*
POWER SUPPLY REQUIREMENTS		
+5V dc (± 5%)	100μA	*
± 15V dc (± 5%)	+ 25mA, - 30mA	*
POWER SUPPLY REJECTION		
(± 15V dc)		
Gain	± 2.5ppm/%	*
Offset	± 0.3ppm/%	*
Reference Output	± 2.5ppm/%	*
(+ 5V dc)		
Differential Nonlinearity	± 0.15ppm/%	*
TEMPERATURE RANGE		
Operating (Rated Performance)	0 to +70°C	*
Storage	-40°C to +85°C	*

† The AD1139K is no longer available.

OUTLINE DIMENSIONS

Dimensions shown in inches and (mm).



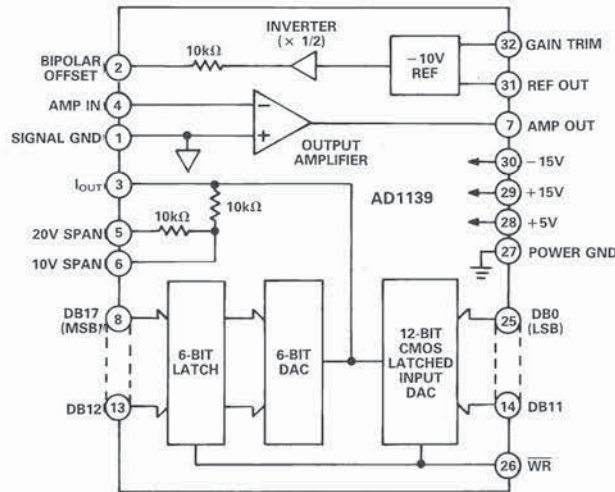
CAUTION: OBSERVE PROPER PLUG-IN POLARITY TO PREVENT DAMAGE TO CONVERTER

PIN DESIGNATIONS

PIN	DESCRIPTION	PIN	DESCRIPTION
1	SIGNAL GND	32	GAIN TRIM
2	BIPOLAR OFFSET	31	REF OUT
3	I _{OUT}	30	- 15V
4	AMP IN	29	+ 15V
5	20V SPAN	28	+ 5V
6	10V SPAN	27	POWER GND
7	AMP OUT	26	WR
8	DB17 (MSB)	25	DB0 (LSB)
9	DB16	24	DB1
10	DB15	23	DB2
11	DB14	22	DB3
12	DB13	21	DB4
13	DB12	20	DB5
14	DB11	19	DB6
15	DB10	18	DB7
16	DB9	17	DB8

NOTES

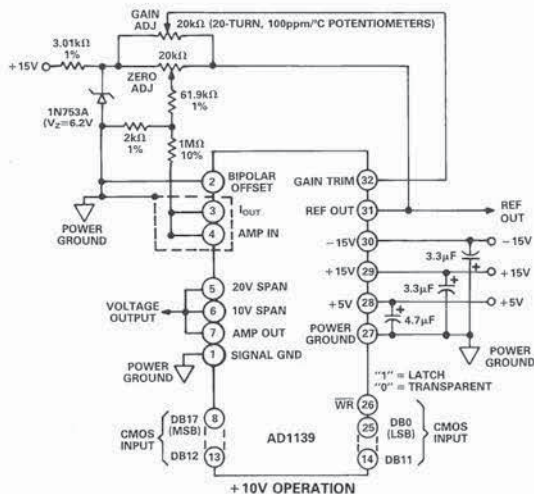
- *Specifications same as AD1139J.
- ¹Initial Errors are adjustable to zero via external potentiometers (see Figure 1).
- ²FSR means Full-Scale Range.
- ³Temperature stability of linearity is guaranteed to a 1% AQL, Level II sampling plan per MIL-STD-105.
- ⁴See Figure 7 for typical long-term linearity stability vs. temperature. Also, see the BURN-IN section on page 6 for caution against preconditioning by the user.
- ⁵Figure 9 provides typical LSB and full-scale settling time to within 1/2LSB at 12- to 18-bit resolutions.
- ⁶Current Output Operation is structured for input to the summing junction of an amplifier. Specifications subject to change without notice.



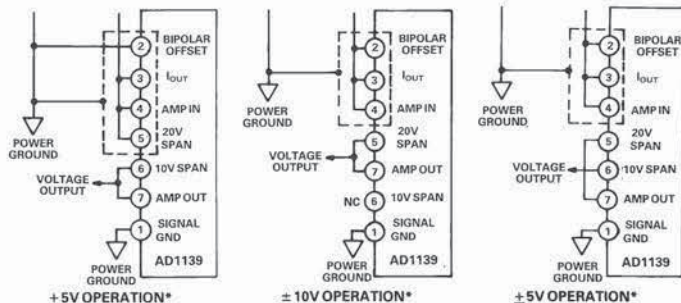
AD1139 Functional Block Diagram

ANALOG OUTPUT RANGE

The AD1139 is pin programmable to provide a variety of analog outputs, either current or voltage. A unipolar output current of 0 to -1mA is available at Pin 3 and can be offset by 0.5mA (connect Pin 2 to Pin 3) for a bipolar output of ±0.5mA. Output voltage ranges (+5V, +10V, ±5V and ±10V) are available at Pin 7 by connecting the current output (Pin 3) to the amplifier input (Pin 4) and the appropriate internal feedback resistors to the amplifier output (Pin 7) as shown in Figure 1.



NOTES
ALL RESISTORS ARE METAL FILM RN55 OR EQUIVALENT.
ALL CAPACITORS ARE POLARIZED TANTALUM.



*ALL OTHER PIN CONNECTIONS ARE THE SAME AS SHOWN FOR UNIPOLAR 0 TO +10V OPERATION.

Figure 1. Output Voltage and Trim Configuration

OFFSET & GAIN CALIBRATION

Initial offset and gain errors can be adjusted to zero by potentiometers as shown in Figure 1. The offset adjust range is plus 0.03% to minus 0.02% of full scale range (wiper of potentiometer to REF OUT equals plus 0.03%). The gain adjust range is plus 0.06% to minus 0.08% of full scale range (wiper to REF OUT equals plus 0.06%). Measurement instruments used should be capable of resolving 1µV at plus full scale for the chosen output range and within 1µV of zero.

Procedure:

UNIPOLAR MODE

1. Apply a digital input of all "0s."
2. Adjust the offset potentiometer until a 0.000000V output is obtained.
3. Apply a digital input of all "1s."
4. Adjust the gain potentiometer until plus full-scale output is obtained (see Table I for exact value).

BIPOLAR MODE

1. Apply a digital input of 100 000.
2. Adjust the offset potentiometer until a 0.000000V output is obtained.
3. Apply a digital input of all "1s."
4. Adjust the gain potentiometer until plus full-scale output is obtained (see Table I for exact value).

	Code 000 00	Code 111 11	
Unipolar +5V	0.000000V	+4.999981V	
+10V	0.000000V	+9.999962V	
	Code 100 00	Code 111 11	Code 000 00
Bipolar ±5V	0.000000V	+4.999962V	- 5.000000V
±10V	0.000000V	+9.999924V	-10.000000V

Table I. Full-Scale and Offset Calibration Voltages

Symbol	Parameter	Requirement
t _{DS}	Data Setup Time	160ns min
t _{DH}	Data Hold Time	120ns min
t _{WR}	Write Pulse Width	200ns min

Table II. Timing Requirements

TIMING DIAGRAM & LATCH CONTROL

Timing requirements for the AD1139 are shown in Table II. The timing diagram is shown in Figure 2. The WRite line controls an 18-bit wide data input latch. This latch is transparent when the WRite line is LOW, allowing all bits to be accessed directly. When the WRite line is activated HIGH, the data present at the inputs is held in the latch and the appropriate analog voltage is seen at the output.

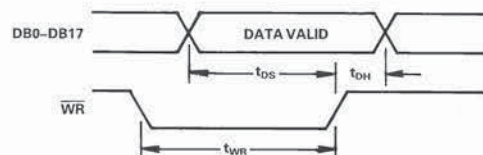


Figure 2. AD1139 Timing Diagram

AD1139

GROUNDING & GUARDING

The current from measurement ground (Pin 1) is small and independent of the digital input code to the DAC. This greatly simplifies making error free analog measurements. Connect this high quality ground to the system's or application's high quality ground. Connect the DAC's power ground (Pin 27) to the system return, also connect the system's high quality ground to the system return. *It is most important that the measurement ground (Pin 1) and power ground (Pin 27) be connected externally for proper circuit operation.*

The current output pin (I_{OUT} , Pin 3) is sensitive to external noise sources, such as digital input lines. This pin and any components connected to this pin should be surrounded by a grounded guard as shown in Figure 3.

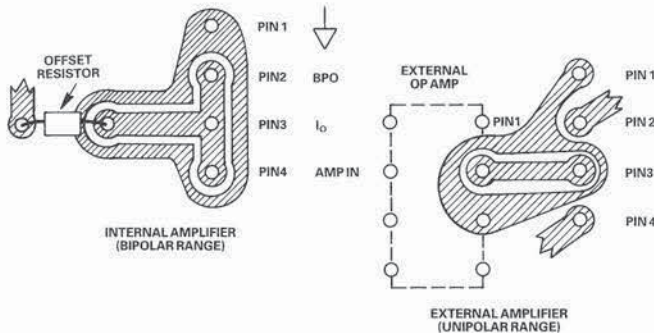


Figure 3. Guarding Recommendations

REMOTE SENSE APPLICATION

The AD1139's remote sense capability allows driving heavy loads or long cables without the usual, accompanying gain errors. By sensing at the load, as described in Figure 4, the load current will pass through the amplifier's output and the power ground, but not through the sense lines. The potential gain errors that would be induced by this load current are therefore minimized. The load should not exceed $\pm 10\text{mA}$ or 2 nanofarads to insure proper operation of the AD1139's internal output amplifier.

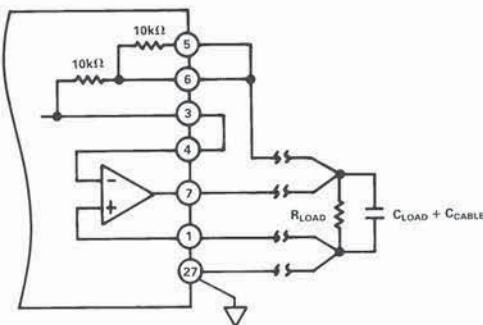


Figure 4. Remote Sensing

RATIOMETRIC DAC TESTING APPLICATION

The AD1139's highly stable reference output can be conveniently used in the testing of other high resolution DACs. Figure 5 describes how the REF OUT (Pin 31) is used as the external reference input to a device-under-test. The gain of the device-under-test will now accurately track the AD1139's gain and eliminate reference contribution to gain error.

When used as a reference DAC to test the integral and differential linearity of 14- and 16-bit DACs, the AD1139 provides a measurement capability with just 1/16LSB of uncertainty at 14 bits.

Gain and offset errors of the device-under-test (D.U.T.) may be accounted for in software. Once zeroed, the integral linearity error can be measured as the difference between the reference DAC (AD1139) and the D.U.T. as seen at the digital voltmeter.

The differential linearity error is then determined by incrementing or decrementing the D.U.T. digital input by 1LSB, and comparing the new output at the DVM with the previous output. The difference between these two measurements should be exactly one ideal LSB. The amount of disagreement from one ideal LSB is the differential linearity error.

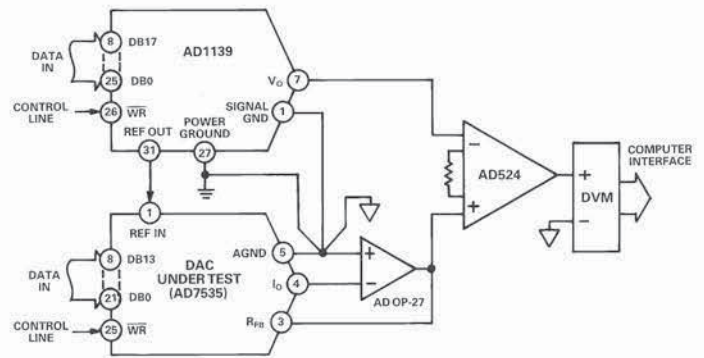


Figure 5. Ratiometric DAC Testing

IBM* PC INTERFACE

Figure 6 illustrates a typical IBM personal computer interface which uses three 8-bit external latches and two decoder chips. The three HCT374 latches are connected to the data bus (D0 through D7). The HCT138 decoder chip decodes the address bus and enables each latch, including the AD1139's internal DAC latch, to see the appropriate digital word. The HCT688 chip and the HCT138 decoder define the I/O address space where the four latches will reside. In the Figure 6 example, they reside in the address space as shown in Table III.

I/O Address	Selected Latch	Data Bits
380H	Low Byte	DB0-DB7
381H	Mid Byte	DB8-DB15
382H	High Byte	DB16, DB17
383H	AD1139 Latch	DB0-DB17

Table III. IBM Interface Address Locations

*IBM is a trademark of International Business Machines Corp.

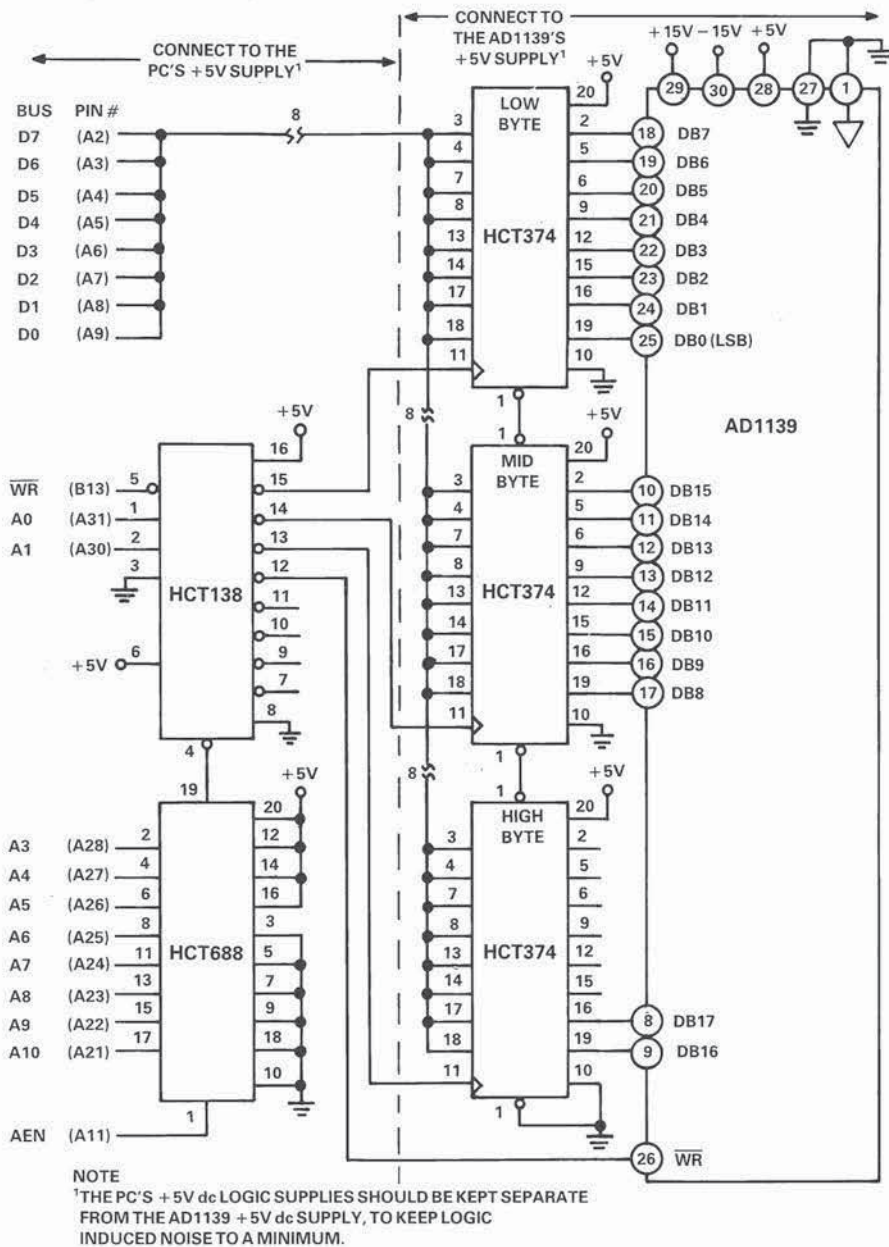


Figure 6. AD1139 to IBM PC Compatible Interface

LONG-TERM STABILITY VS. TEMPERATURE

Adjusting the linearity of any DAC after it is installed in the application is often difficult or impossible. It is preferable to maintain some specified accuracy over the useful working life of the product (commonly 5 to 10 years). Stable linearity performance over time can, therefore, be a very important parameter for the DAC.

Accelerated testing to determine the *expected linearity stability over time* can be accomplished by two different methods. Linearity is first measured at +25°C. The DAC is then operated at a fixed elevated temperature for an extended period of time. The DAC is then retested at +25°C, and the change in linearity error vs. time is calculated. The **ARRHENIUS EQUATION** (used in reliability calculations) can be used to determine what the acceleration factor is from +25°C to the elevated test tem-

perature. Knowing the acceleration factor and the linearity error vs. time at the elevated temperature, one could calculate the expected long-term stability of linearity at nominal temperatures.

A second test method determines how long it will take for the linearity to shift by a specific error band (we chose ± 2 ppm for our example) at any specified temperature. The first step is to measure the linearity at a moderately elevated temperature (e.g., +85°C) and then monitor how long it takes at this temperature to reach the error band limit. The second step is to perform the same test at a much higher elevated temperature (e.g., +125°C). The two resulting time vs. temperature points are then plotted on semilog paper. A line drawn through the two points allows extrapolation to the length of time expected to reach the error band (± 2 ppm) at other temperatures, including +25°C.

AD1139

Figure 7 shows how long it would take for the AD1139's linearity to drift $\pm 2\text{ppm}$ ($1/2\text{LSB}$) at any operating temperature. The uppermost plot shows stability under storage conditions (no power), and the lower plot shows the AD1139's operating stability (under power). The *operating vs. storage* difference is due to the 10°C temperature rise when the AD1139 is powered.

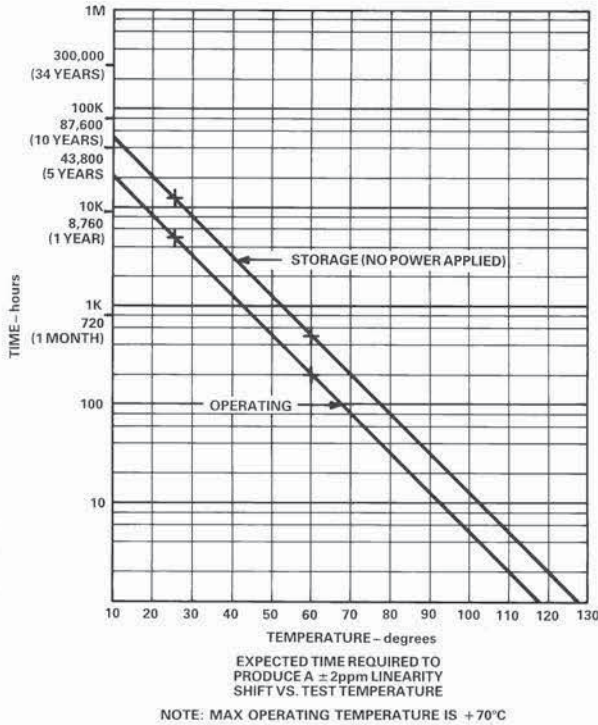


Figure 7. Nonlinearity vs. Time/Temperature

BURN-IN

All AD1139s undergo a 168 hour, powered burn-in @ 125°C , prior to laser trimming. This burn-in produces the optimum stability for the resistor network and eliminates infancy defects.

As shown in Figure 7, exposure to elevated temperatures produces an acceleration of the normal aging process. Preconditioning/burn-in employed by the user will lead to premature linearity shifts outside of the initial guaranteed specifications. The ADI warranty will not cover DACs that exhibit this type of *forced* premature specification degradation.

EXTERNAL AMPLIFIER FOR HIGH SPEED OR HIGH OUTPUT CURRENT

The AD1139's internal output amplifier is optimized for very low noise, dc stable applications with moderate settling time. Applications requiring higher speed or more output current can use an external amplifier, such as shown in Figure 8. The AD711 settles to within 16 bits in only $6\mu\text{s}$ for a unipolar full scale step. Other amplifiers may be chosen for differing tradeoffs. The noise gain seen by the output amplifier, depends on the output voltage range selected (see Table IV). The amplifier selected must be stable at the noise gain corresponding to the output range.

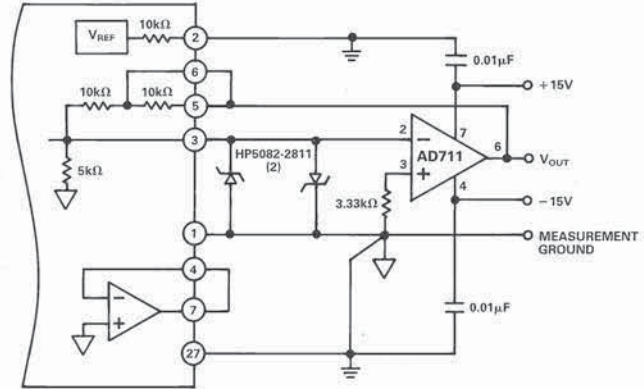


Figure 8. External Amplifier for High Speed

Output Voltage Range	Noise Gain
0 to +5V	2
0 to +10V	3
$\pm 5\text{V}$	4
$\pm 10\text{V}$	7

Table IV. Noise Gain vs. Output Voltage Range

SETTLING TIME

The LSB step and full-scale step typical settling times, to within $\pm 1/2\text{LSB}$ at 18 bits, are shown in the Specification Table.

Figure 9 graphically presents the typical settling times to within $\pm 1/2\text{LSB}$ at resolutions from 12 to 18 bits.

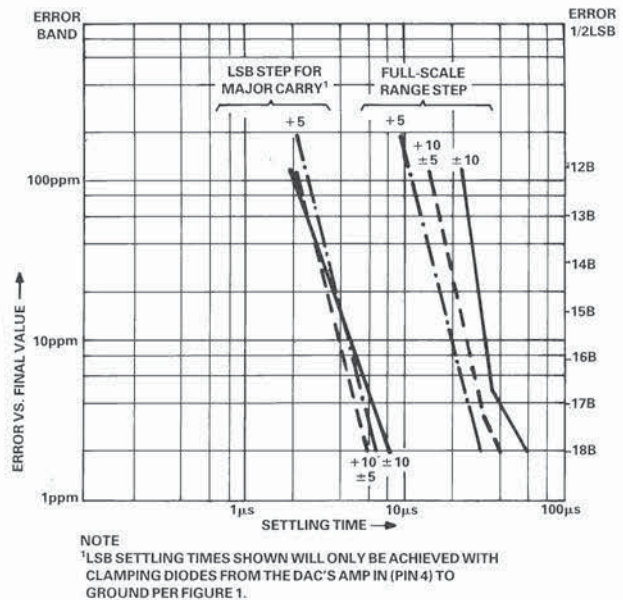


Figure 9. Settling Time vs. Resolution