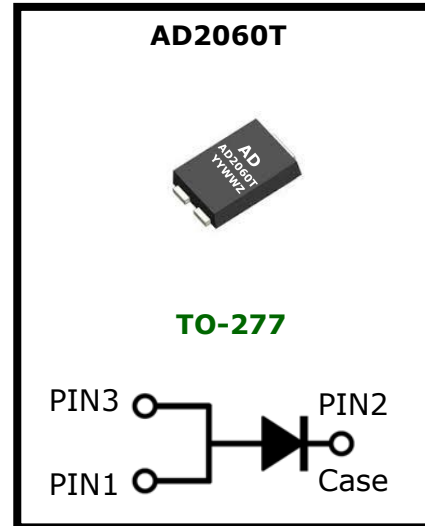


60V 20A Ultra Low VF Schottky

Characteristics Summary

Characteristics	Values	Units
IF(AV)	20	A
VRRM	60	V
VF @ 10A, TJ = 25°C	0.46	V, typ.
TJ, Operating Junction Temperature	-40 to +150	°C



Features

- Ultra Low Forward Voltage (VF) Drop Low Power Losses
- Low Leakage Current at high temperature.
- Reliable application for various circumstances.
- 150°C Operating Junction Temperature
- Lead Free Finish, RoHS Compliant

Typical Applications

Device optimized for low forward voltage drop to maximize efficiency in Power Supply applications, high frequency converters, freewheeling diodes.



Maximum Ratings Characteristics

(TA = 25°C unless otherwise specified)

Parameter	Symbol	Values	Units
DC Blocking Voltage	V _{RM}	60	V
Working Peak Reverse Voltage	V _{RWM}		V
Peak Repetitive Reverse Voltage	V _{RRM}		V
Average Rectified Forward Current (Rated VR-20Khz Square Wave) – 50% duty cycle	I _D	20	A
Peak Forward Surge Current – 1/2 60hz	I _{FSM}	100	A
Peak Repetitive Reverse Surge Current (2uS-1Khz)	I _{RRM}	1	A
Typical Thermal Resistance	R _{θJC}	68	°C / W
Maximum Rate of Voltage Change (at Rated VR)	dv/dt	10000	V/uS
Operating Junction Temperature	T _J	-40 to +150	°C
Storage Junction Temperature	T _{STG}	-40 to +150	

Electrical Characteristics

(TA = 25°C unless otherwise specified)

Parameter	Test Conditions		Symbol	Typ.	Max.	Units
Instantaneous Forward Voltage	IF = 10 A	T _J = 25°C	V _F *	0.46	0.48	V
	IF = 20 A			0.54	0.57	
	IF = 10 A	T _J = 125°C		0.38	0.42	
	IF = 20 A			0.52	0.56	
Instantaneous Reverse Current	VR = 60V	T _J = 25°C	I _R *	15	40	uA
	VR = 60V	T _J = 125°C		----	25	mA
Junction Capacitance	V _R = 5V, f = 1MHz		C _J	1120	----	pF

* Pulse width < 300 uS, Duty cycle < 2%

Characteristics Curves

(TA = 25°C unless otherwise specified)

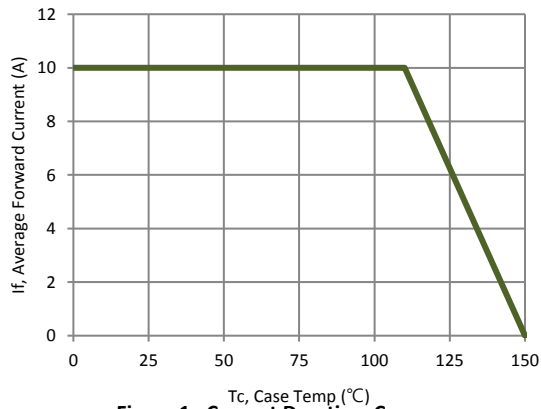


Figure 1 : Current Derating, Case

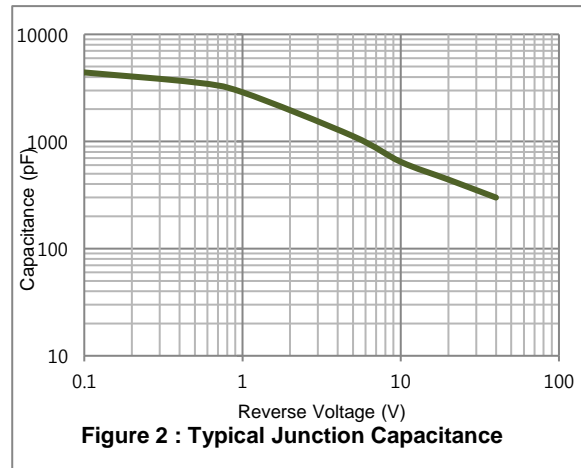


Figure 2 : Typical Junction Capacitance

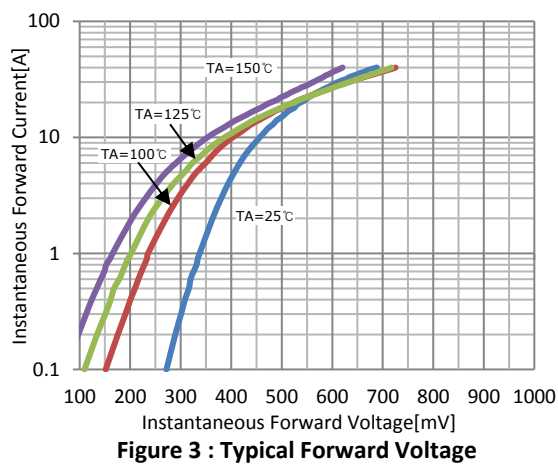


Figure 3 : Typical Forward Voltage

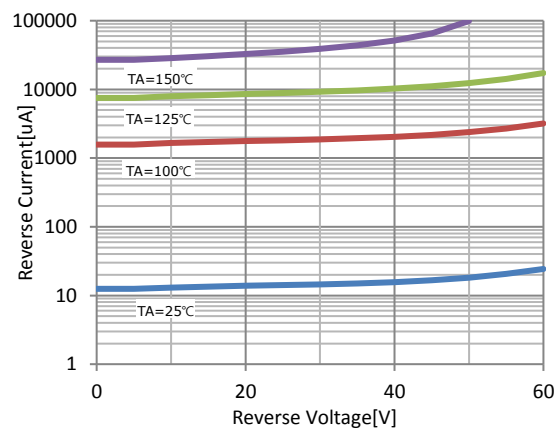


Figure 4 : Typical Reverse Current

Ordering Information

Part No	Package	Packing	Finish	Halogen	Packing Unit
AD2060T	TO-277	Tape & Reel	Sn	Free	2,500ea

Marking Layout



1ST Line : Company logo

2nd Line : Date code

- T : TO-277 PKG code
- R : TO-252 PKG code

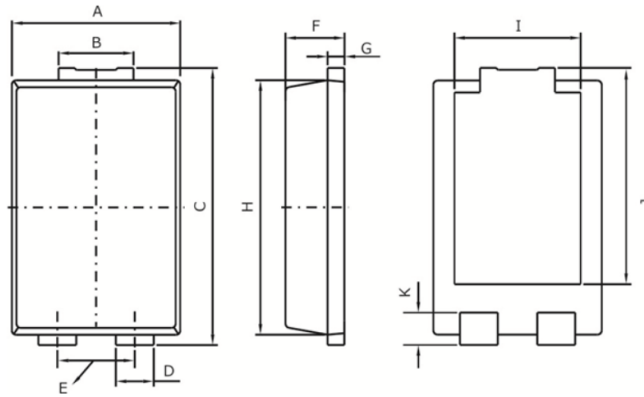
3rd Line : Device name + PKG CODE

- YY : Last two digit of calendar year
- WW : Work week calendar
- C : ASSEMBLY SITE



Package Dimensions

TO-277



Dim.	Min.	Max.
A	3.90	4.10
B	1.74	1.94
C	6.40	6.60
D	0.80	1.05
E	1.84 typ.	
F	1.00	1.20
G	0.35	0.45
H	5.30	5.45
I	3.05 typ.	
J	4.40 typ.	
K	0.60	0.95

All Dimensions in millimeter



Revision History

No	Date	Contents
0	2017-01-11	Initial Brief Datasheet Release
1	2019-01-11	Junction Capacitance Update

<http://www.apsemi.com>

IMPORTANT NOTICE

AP Semiconductor co, Ltd reserves the right to make changes without further notice to any products or specifications herein. AP Semiconductor co, Ltd does not assume any responsibility for use of any its products for any particular purpose, nor does AP Semiconductor co, Ltd assume any liability arising out of the application or use of any its products or circuits. AP Semiconductor co, Ltd does not convey any license under its patent rights or other rights nor the rights of others.

AP Semiconductor Co., Ltd

Contact. Tel 82.70.4693.2299 FAX 82.70.4000.4009

E-mail: sales@apsemi.com

© 2015 AP semiconductor Co., Ltd. –Printed in KOREA –All Rights Reserved.