



DESCRIPTION

The AD2C101 is a bi-directional, single-pole, single-throw, normally open multipurpose solid-state relay. The relay consists of an IR LED optically coupled to a Photo Diode Array, which in turn drives two output MOSFETs. The AD2C101 provides high load voltage (600V) and high input-to-output isolation (5kV) in a miniature 4 pin DIP / SMD package, making it ideal for high-density board applications.

FEATURES

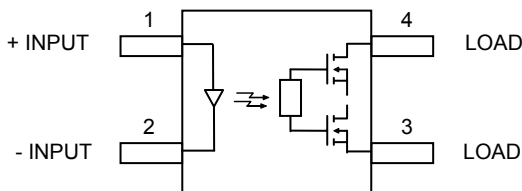
- High Blocking Voltage (600V)
- Small 4-pin DIP / SMD package
- High input-to-output isolation (5000Vrms)
- 100mA maximum continuous load current
- 40 ohms maximum on-resistance
- Long life/high reliability

OPTIONS/SUFFIXES*

- -S Surface Mount Option (65 pcs / tube)
- -TR Tape and Reel Option (2000 pcs / reel)
- -V .04" (10.16mm) lead spacing (VDE0884)

NOTE: Suffixes listed above are not included in marking on device for part number identification.

SCHEMATIC DIAGRAM



APPLICATIONS

- Multiplexers
- Meter reading systems
- Data Acquisition
- Medical equipment
- Battery monitoring
- Home/Safety security systems

ABSOLUTE MAXIMUM RATINGS*

PARAMETER	UNIT	MIN	TYP	MAX
Storage Temperature	°C	-40		150
Operating Temperature	°C	-40		85
Continuous Input Current	mA			50
Transient Input Current (1us)	mA			400
Reverse Input Control Voltage	V			5
Output Power Dissipation	mW			500
Solder Temperature - Wave (10s)	°C			260
Solder Temperature - IR Reflow (10s)	°C			260

*The values indicated are absolute stress ratings. Functional operation of the device is not implied at these or any conditions in excess of those defined in electrical characteristics section of this document. Exposure to Absolute Ratings may cause permanent damage to the device and may adversely affect reliability.

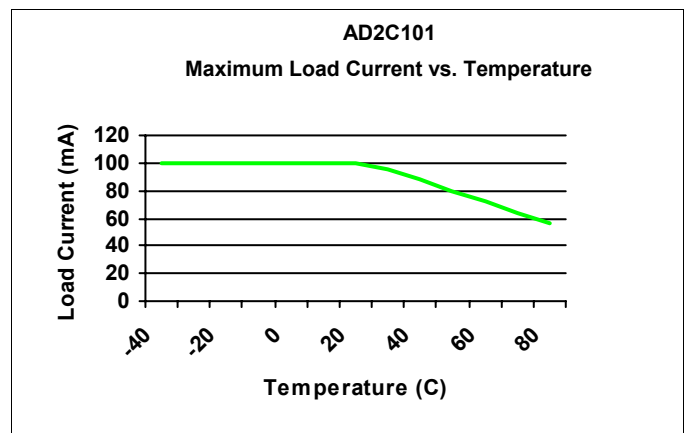
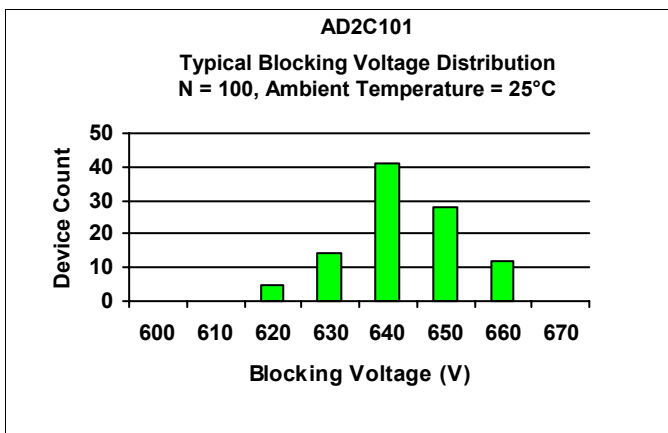
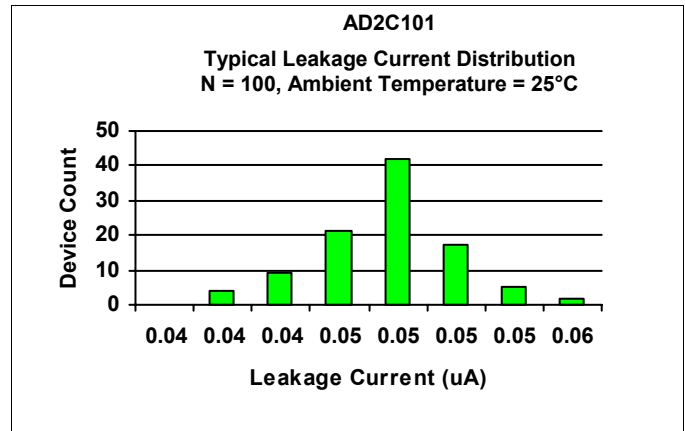
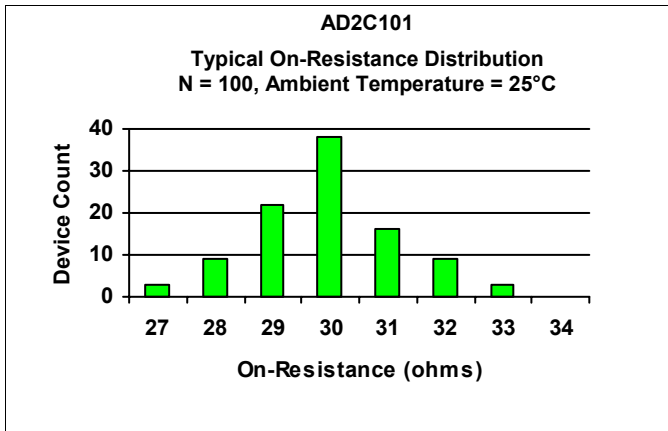
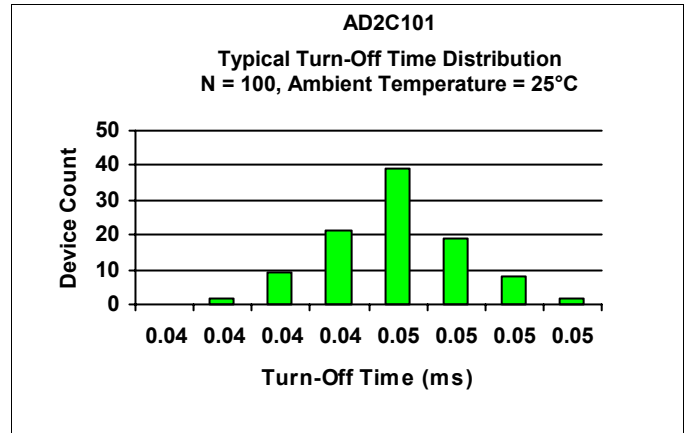
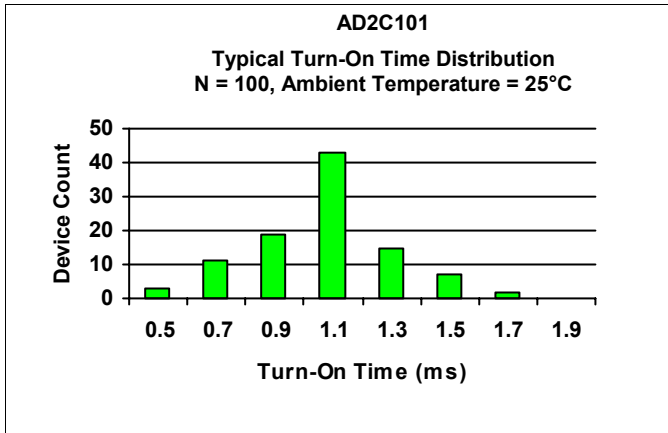
APPROVALS

- UL / C-UL Approved: File E201932

ELECTRICAL CHARACTERISTICS - 25°C

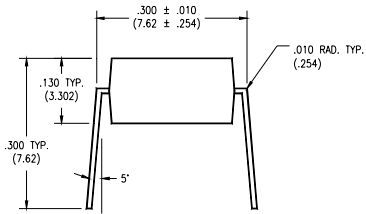
PARAMETER	UNIT	MIN	TYP	MAX	TEST CONDITIONS
INPUT SPECIFICATIONS					
LED Forward Voltage	V		1.8	2	If = 10mA
Turn-On Current	m A		2.5	5	Io = 100mA
Turn-Off Current	m A	0.2			
OUTPUT SPECIFICATIONS					
Blocking Voltage	V	600			Io = 1uA
Continuous Load Current	m A			100	If = 5mA
On-Resistance	Ω		30	40	Io = 100mA
Leakage Current	μ A		0.2	1	Vo = 600V
Output Capacitance	p F	6			If=0, f = 1.0MHz
Offset Voltage	m V			0.2	If = 5mA
COUPLED SPECIFICATIONS					
Isolation Voltage	V r m s	5000			T = 1 minute
Turn-On Time	m s		1	5	If = 5mA, Io = 100mA, Vo=20V, t=10ms
Turn-Off Time	m s		0.05	3	If = 0mA, Io = 100mA, Vo=20V, t=10ms
Isolation Resistance	G Ω	100			
Coupled Capacitance	p F		3		
Contact Transient Ratio	V / μ s	2000	7000		dV = 50V

PERFORMANCE DATA



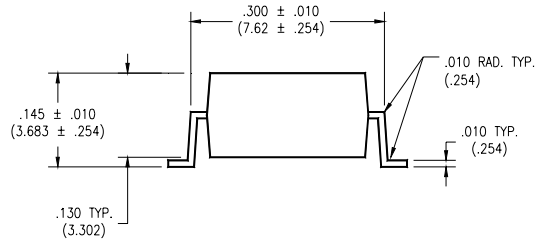
MECHANICAL DIMENSIONS

4 PIN DUAL IN-LINE PACKAGE

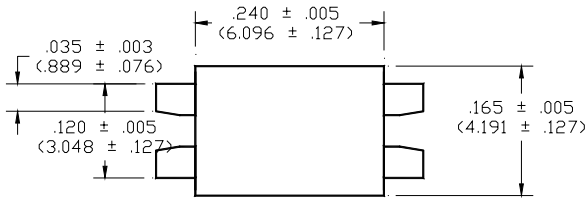


END VIEW

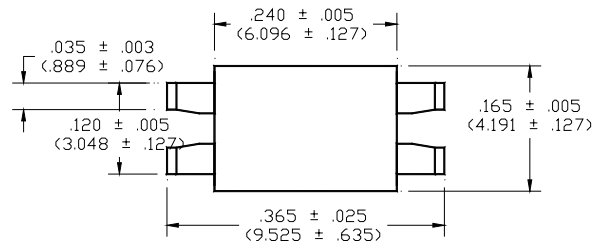
4 PIN SURFACE MOUNT DEVICE



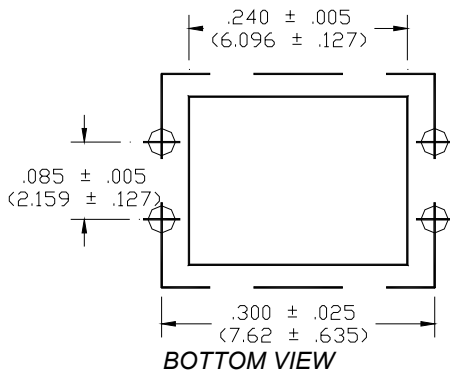
END VIEW



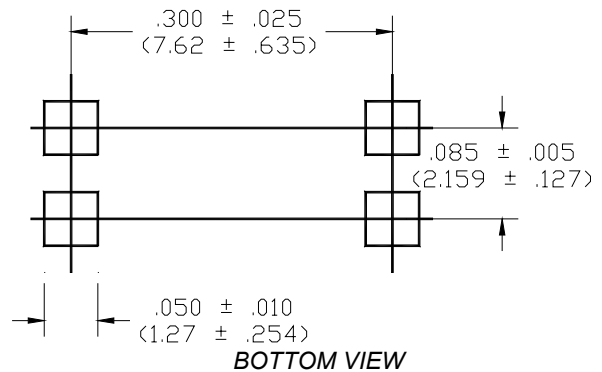
TOP VIEW



TOP VIEW



BOTTOM VIEW



BOTTOM VIEW

DISCLAIMER

Solid State Optronics (SSO) makes no warranties or representations with regards to the completeness and accuracy of this document. SSO reserves the right to make changes to product description, specifications at any time without further notice. SSO shall not assume any liability arising out of the application or use of any product or circuit described herein. Neither circuit patent licenses nor indemnity are expressed or implied. Except as specified in SSO's Standard Terms & Conditions, SSO disclaims liability for consequential or other damage, and we make no other warranty, expressed or implied, including merchantability and fitness for particular use.

LIFE SUPPORT POLICY

SSO does not authorize use of its devices in life support applications wherein failure or malfunction of a device may lead to personal injury or death. Users of SSO devices in life support applications assume all risks of such use and agree to indemnify SSO against any and all damages resulting from such use. Life support devices are defined as devices or systems which, (a) are intended for surgical implant into the body, or (b) support or sustain life, and (c) whose failure to perform when used properly in accordance with instructions for use can be reasonably expected to result in significant injury to the user, or (d) a critical component in any component of a life support device or system whose failure can be reasonably expected to cause failure of the life support device or system, or to affect its safety or effectiveness.