



TECHNICAL DATA
DATA SHEET 1126 REV. (PRELIMINARY)

TWO-TERMINAL TEMPERATURE TRANSDUCER

www.DataSheet4U.com

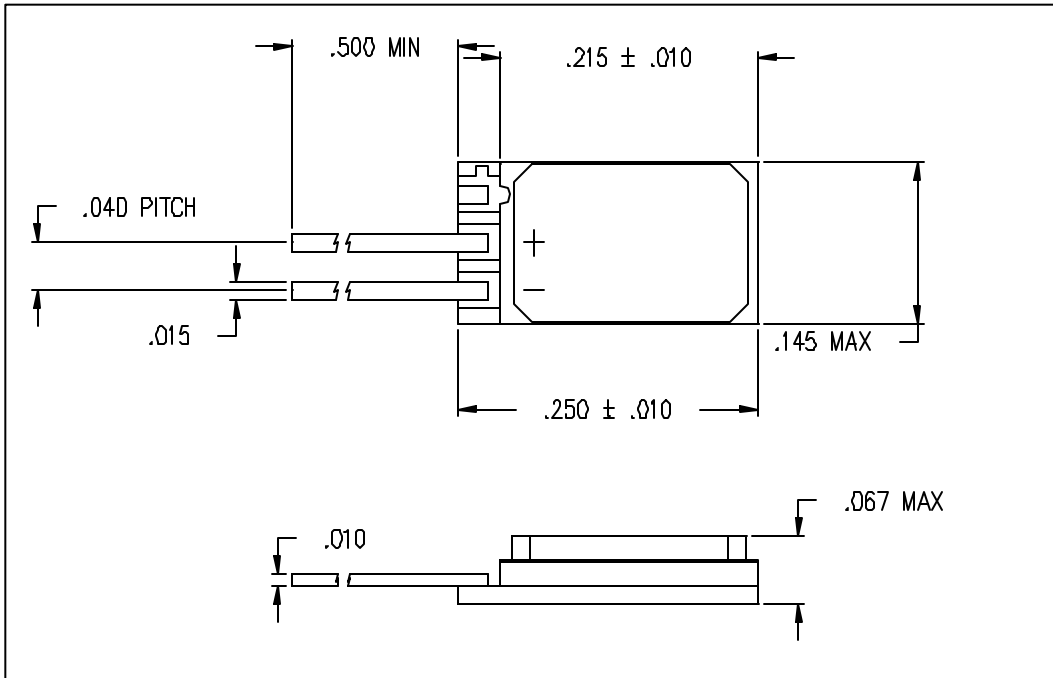
- INTERNALLY IDENTICAL TO AD590J
- LINEAR CURRENT OUTPUT 1mA/K
- OPERATING VOLTAGE +4V TO +30V
- STORAGE TEMPERATURE RANGE -65°C TO 150°C
- OPERATING TEMPERATURE RANGE -55°C TO 150°C
- TWO HERMETIC CERAMIC PACKAGE OPTIONS (PART NUMBERS AD590-01, AD590-02)

ELECTRICAL CHARACTERISTICS (T_A = -55°C TO 150°C UNLESS OTHERWISE SPECIFIED)

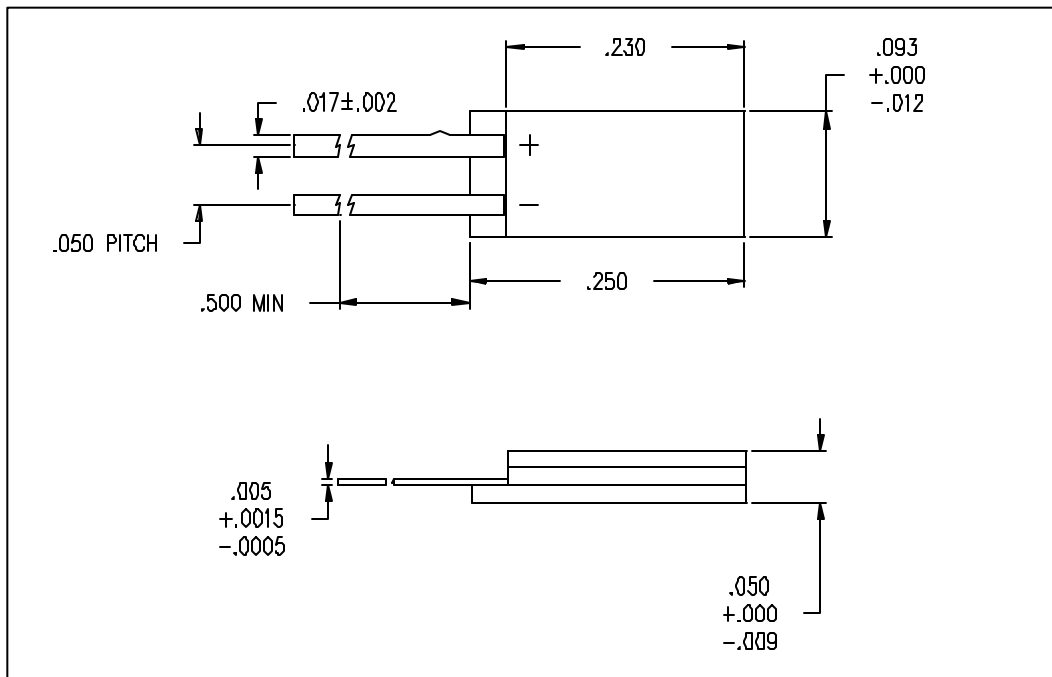
PARAMETER	CONDITIONS	MIN	TYP	MAX	UNITS
OUTPUT CURRENT	T _A = 25°C	-	298.2	-	μA
CALIBRATION ERROR	T _A = 25°C	-	-	±5.0	°C
ABSOLUTE ERROR	NO EXTERNAL CALIBRATION 25°C CALIBRATION SET TO ZERO	-	-	±10 ±3.0	°C °C
NON-LINEARITY	-	-	-	±1.5	°C
REPEATABILITY ¹	-	-	-	±0.1	°C
LONG TERM DRIFT	-	-	-	±0.1	°C
CURRENT NOISE	-	-	40	-	pA/√Hz
POWER SUPPLY REJECTION	+4V < V+ < +5V +5V < V+ < +15V +15V < V+ < +30V	-	0.5 0.2 0.1	-	μA/V μA/V μA/V
EFFECTIVE SHUNT CAPACITANCE	-	-	100	-	pF
ELECTRICAL TURN-ON TIME	-	-	20	-	μs
REVERSE BIAS LEAKAGE CURRENT	-	-	10	-	pA

¹MAXIMUM DEVIATION BETWEEN +25°C READINGS AFTER TEMPERATURE CYCLING BETWEEN -55°C AND 150°C

MECHANICAL DIMENSIONS: In inches



PACKAGE OPTION -01



PACKAGE OPTION -02