

FEATURES

Throughput: 100 kSPS

16-bit resolution

Analog input voltage range: 0 V to 2.5 V

No pipeline delay

Parallel and serial 5 V/3 V interface

SPI®/QSPI™/MICROWIRE™/DSP compatible

Single 5 V supply operation

Power dissipation

16 mW typ, 160 µW @ 1 kSPS without REF

38 mW typ with REF

48-lead LQFP and 48-lead LFCSP packages

Pin-to-pin compatible with PuLSAR ADCs

APPLICATIONS

Data acquisition

Instrumentation

Digital signal processing

Spectrum analysis

Medical instruments

Battery-powered systems

Process control

GENERAL DESCRIPTION

The AD7651 is a 16-bit, 100 kSPS, charge redistribution SAR analog-to-digital converter that operates from a single 5 V power supply. The part contains a high speed 16-bit sampling ADC, an internal conversion clock, internal reference, error correction circuits, and both serial and parallel system interface ports.

The AD7651 is fabricated using Analog Devices' high performance, 0.6 micron CMOS process, with correspondingly low cost, and is available in a 48-lead LQFP and a tiny 48-lead LFCSP with operation specified from -40°C to +85°C.

FUNCTIONAL BLOCK DIAGRAM

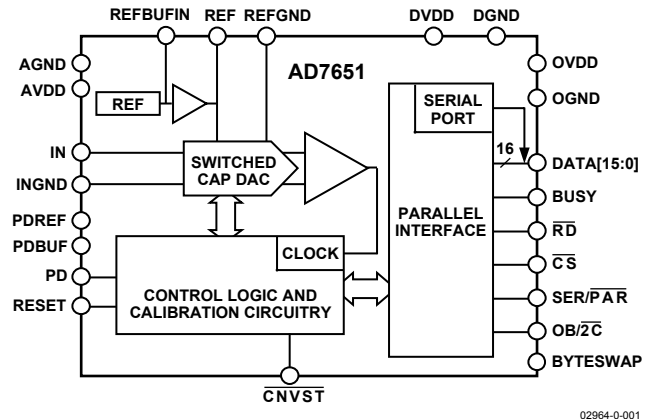


Figure 1. Functional Block Diagram

Table 1. PuLSAR Selection

Type/kSPS	100–250	500–570	800–1000
Pseudo-Differential	AD7651 AD7660/AD7661	AD7650/AD7652 AD7664/AD7666	AD7653 AD7667
True Bipolar	AD7663	AD7665	AD7671
True Differential	AD7675	AD7676	AD7677
18-Bit	AD7678	AD7679	AD7674
Multichannel/ Simultaneous		AD7654 AD7655	

PRODUCT HIGHLIGHTS

- Fast Throughput.**
The AD7651 is a 100 kSPS, charge redistribution, 16-bit SAR ADC with internal error correction circuitry.
- Internal Reference.**
The AD7651 has an internal reference with a typical temperature drift of 7 ppm/°C.
- Single-Supply Operation.**
The AD7651 operates from a single 5 V supply. Its power dissipation decreases with throughput.
- Serial or Parallel Interface.**
Versatile parallel or 2-wire serial interface arrangement is compatible with both 3 V and 5 V logic.

Rev. 0

Information furnished by Analog Devices is believed to be accurate and reliable. However, no responsibility is assumed by Analog Devices for its use, nor for any infringements of patents or other rights of third parties that may result from its use. Specifications subject to change without notice. No license is granted by implication or otherwise under any patent or patent rights of Analog Devices. Trademarks and registered trademarks are the property of their respective owners.

AD7651* Product Page Quick Links

Last Content Update: 11/01/2016

Comparable Parts

View a parametric search of comparable parts

Evaluation Kits

- AD7651 Evaluation Kit

Documentation

Application Notes

- AN-280: Mixed Signal Circuit Technologies
- AN-282: Fundamentals of Sampled Data Systems
- AN-311: How to Reliably Protect CMOS Circuits Against Power Supply Overvolutaging
- AN-342: Analog Signal-Handling for High Speed and Accuracy
- AN-931: Understanding PulSAR ADC Support Circuitry
- AN-932: Power Supply Sequencing

Data Sheet

- AD7651: 16-Bit 100 kSPS SAR Unipolar ADC with Reference Data Sheet

Product Highlight

- 8- to 18-Bit SAR ADCs ... From the Leader in High Performance Analog

Reference Materials

Technical Articles

- MS-2210: Designing Power Supplies for High Speed ADC

Design Resources

- AD7651 Material Declaration
- PCN-PDN Information
- Quality And Reliability
- Symbols and Footprints

Discussions

View all AD7651 EngineerZone Discussions

Sample and Buy

Visit the product page to see pricing options

Technical Support

Submit a technical question or find your regional support number

* This page was dynamically generated by Analog Devices, Inc. and inserted into this data sheet. Note: Dynamic changes to the content on this page does not constitute a change to the revision number of the product data sheet. This content may be frequently modified.

TABLE OF CONTENTS

Specifications.....	3	Parallel Interface.....	20
Timing Specifications.....	5	Serial Interface	20
Absolute Maximum Ratings.....	7	Master Serial Interface	21
Pin Configuration and Function Descriptions.....	8	Slave Serial Interface	22
Definitions of Specifications	11	Microprocessor Interfacing.....	24
Typical Performance Characteristics	12	Application Hints.....	25
Circuit Information	15	Bipolar and Wider Input Ranges	25
Converter Operation.....	15	Layout	25
Typical Connection Diagram.....	17	Evaluating the AD7651's Performance	25
Power Dissipation versus Throughput	19	Outline Dimensions	26
Conversion Control.....	19	Ordering Guide.....	26
Digital Interface	20		

REVISION HISTORY

Revision 0, Initial Version.

SPECIFICATIONS

Table 2. -40°C to +85°C, AVDD = DVDD = 5 V, OVDD = 2.7 V to 5.25 V, unless otherwise noted

Parameter	Conditions	Min	Typ	Max	Unit
RESOLUTION		16			Bits
ANALOG INPUT					
Voltage Range	$V_{IN} - V_{INGND}$	0		V_{REF}	V
Operating Input Voltage	V_{IN}	-0.1		+3	V
	V_{INGND}	-0.1		+0.5	V
Analog Input CMRR	$f_{IN} = 10$ kHz		65		dB
Input Current	100 kSPS Throughput		1.1		μA
Input Impedance ¹					
THROUGHPUT SPEED					
Complete Cycle				10	μs
Throughput Rate		0		100	kSPS
DC ACCURACY					
Integral Linearity Error		-6		+6	LSB ²
No Missing Codes		15			Bits
Differential Linearity Error		-2		+3	LSB
Transition Noise			0.7		LSB
Unipolar Zero Error, T_{MIN} to T_{MAX} ³				±5	LSB
Unipolar Zero Error Temperature Drift ³			±0.25		ppm/°C
Full-Scale Error, T_{MIN} to T_{MAX} ³	REF = 2.5 V			±0.12	% of FSR
Full-Scale Error Temperature Drift			±0.6		ppm/°C
Power Supply Sensitivity	AVDD = 5 V ± 5%		±2		LSB
AC ACCURACY					
Signal-to-Noise	$f_{IN} = 45$ kHz		86		dB ⁴
Spurious Free Dynamic Range	$f_{IN} = 45$ kHz		98		dB
Total Harmonic Distortion	$f_{IN} = 10$ kHz		-98		dB
	$f_{IN} = 45$ kHz		-98		dB
Signal-to-(Noise + Distortion)	$f_{IN} = 45$ kHz		86		dB
	-60 dB Input, $f_{IN} = 45$ kHz		30		dB
-3 dB Input Bandwidth			800		kHz
SAMPLING DYNAMICS					
Aperture Delay			2		ns
Aperture Jitter			5		ps rms
Transient Response	Full-Scale Step			8.75	μs
REFERENCE					
Internal Reference Voltage	V_{REF} @ 25°C	2.48	2.5	2.52	V
Internal Reference Temperature Drift	-40°C to +85°C		±7		ppm/°C
Line Regulation	AVDD = 5 V ± 5%		±24		ppm/V
Turn-On Settling Time	$C_{REF} = 10$ μF		5		ms
Temperature Pin					
Voltage Output @ 25°C			300		mV
Temperature Sensitivity			1		mV/°C
Output Resistance			4.3		kΩ
External Reference Voltage Range		2.3	2.5	AVDD - 1.85	V
External Reference Current Drain	100 kSPS Throughput		35		μA

AD7651

Parameter	Conditions	Min	Typ	Max	Unit
DIGITAL INPUTS					
Logic Levels					
V_{IL}		-0.3		+0.8	V
V_{IH}		2.0		DVDD + 0.3	V
I_{IL}		-1		+1	μ A
I_{IH}		-1		+1	μ A
DIGITAL OUTPUTS					
Data Format ⁵					
Pipeline Delay ⁶					
V_{OL}	$I_{SINK} = 1.6 \text{ mA}$			0.4	V
V_{OH}	$I_{SOURCE} = -500 \mu\text{A}$	OVDD - 0.6			V
POWER SUPPLIES					
Specified Performance					
AVDD		4.75	5	5.25	V
DVDD		4.75	5	5.25	V
OVDD		2.7		5.25 ⁷	V
Operating Current					
AVDD ⁸	100 kSPS Throughput With Reference and Buffer		6.2		mA
AVDD ⁹	Reference and Buffer Alone		3		mA
DVDD ¹⁰			1.5		mA
OVDD ¹⁰			18		μ A
Power Dissipation without REF ¹⁰					
	100 kSPS Throughput		16	25	mW
	1 kSPS Throughput		160		μ W
Power Dissipation with REF ¹⁰					
	100 kSPS Throughput		38	45	mW
TEMPERATURE RANGE¹¹					
Specified Performance					
	T_{MIN} to T_{MAX}	-40		+85	$^{\circ}$ C

¹See Analog Input section.

²LSB means least significant bit. With the 0 V to 2.5 V input range, 1 LSB is 38.15 μ V.

³See Definitions of Specifications section. These specifications do not include the error contribution from the external reference.

⁴All specifications in dB are referred to a full-scale input FS. Tested with an input signal at 0.5 dB below full-scale, unless otherwise specified.

⁵Parallel or Serial 16-Bit.

⁶Conversion results are available immediately after completed conversion.

⁷The max should be the minimum of 5.25 V and DVDD + 0.3 V.

⁸With REF, PDREF and PDBUF are LOW; without REF, PDREF and PDBUF are HIGH.

⁹With PDREF, PDBUF LOW and PD HIGH.

¹⁰Tested in Parallel Reading Mode

¹¹Consult factory for extended temperature range.

TIMING SPECIFICATIONS

Table 3. -40°C to +85°C, AVDD = DVDD = 5 V, OVDD = 2.7 V to 5.25 V, unless otherwise noted

Parameter	Symbol	Min	Typ	Max	Unit
Refer to Figure 26 and Figure 27					
Convert Pulse Width	t ₁	10			ns
Time between Conversions	t ₂	10			μs
$\overline{\text{CNVST}}$ LOW to BUSY HIGH Delay	t ₃			35	ns
BUSY HIGH All Modes Except Master Serial Read after Convert	t ₄			1.25	μs
Aperture Delay	t ₅		2		ns
End of Conversion to BUSY LOW Delay	t ₆	10			ns
Conversion Time	t ₇			1.25	μs
Acquisition Time	t ₈	8.75			μs
RESET Pulse Width	t ₉	10			ns
Refer to Figure 28, Figure 29, and Figure 30 (Parallel Interface Modes)					
$\overline{\text{CNVST}}$ LOW to DATA Valid Delay	t ₁₀			1.25	μs
DATA Valid to BUSY LOW Delay	t ₁₁	12			ns
Bus Access Request to DATA Valid	t ₁₂			45	ns
Bus Relinquish Time	t ₁₃	5		15	ns
Refer to Figure 32 and Figure 33 (Master Serial Interface Modes) ¹					
$\overline{\text{CS}}$ LOW to SYNC Valid Delay	t ₁₄			10	ns
$\overline{\text{CS}}$ LOW to Internal SCLK Valid Delay ¹	t ₁₅			10	ns
$\overline{\text{CS}}$ LOW to SDOUT Delay	t ₁₆			10	ns
$\overline{\text{CNVST}}$ LOW to SYNC Delay	t ₁₇		525		ns
SYNC Asserted to SCLK First Edge Delay	t ₁₈	3			ns
Internal SCLK Period ²	t ₁₉	25		40	ns
Internal SCLK HIGH ²	t ₂₀	12			ns
Internal SCLK LOW ²	t ₂₁	7			ns
SDOUT Valid Setup Time ²	t ₂₂	4			ns
SDOUT Valid Hold Time ²	t ₂₃	2			ns
SCLK Last Edge to SYNC Delay ²	t ₂₄	3			ns
$\overline{\text{CS}}$ HIGH to SYNC HI-Z	t ₂₅			10	ns
$\overline{\text{CS}}$ HIGH to Internal SCLK HI-Z	t ₂₆			10	ns
$\overline{\text{CS}}$ HIGH to SDOUT HI-Z	t ₂₇			10	ns
BUSY HIGH in Master Serial Read after Convert ²	t ₂₈		See Table 4		
$\overline{\text{CNVST}}$ LOW to SYNC Asserted Delay	t ₂₉		1.25		μs
SYNC Deasserted to BUSY LOW Delay	t ₃₀		25		ns
Refer to Figure 34 and Figure 35 (Slave Serial Interface Modes) ¹					
External SCLK Setup Time	t ₃₁	5			ns
External SCLK Active Edge to SDOUT Delay	t ₃₂	3		18	ns
SDIN Setup Time	t ₃₃	5			ns
SDIN Hold Time	t ₃₄	5			ns
External SCLK Period	t ₃₅	25			ns
External SCLK HIGH	t ₃₆	10			ns
External SCLK LOW	t ₃₇	10			ns

¹In serial interface modes, the SYNC, SCLK, and SDOUT timings are defined with a maximum load C_L of 10 pF; otherwise, the load is 60 pF maximum.

²In Serial Master Read during Convert Mode. See Table 4 for serial master read after convert mode.

AD7651

Table 4. Serial Clock Timings in Master Read after Convert

DIVSCLK[1] DIVSCLK[0]	Symbol	0 0	0 1	1 0	1 1	Unit
SYNC to SCLK First Edge Delay Minimum	t ₁₈	3	17	17	17	ns
Internal SCLK Period Minimum	t ₁₉	25	50	100	200	ns
Internal SCLK Period Maximum	t ₁₉	40	70	140	280	ns
Internal SCLK HIGH Minimum	t ₂₀	12	22	50	100	ns
Internal SCLK LOW Minimum	t ₂₁	7	21	49	99	ns
SDOUT Valid Setup Time Minimum	t ₂₂	4	18	18	18	ns
SDOUT Valid Hold Time Minimum	t ₂₃	2	4	30	80	ns
SCLK Last Edge to SYNC Delay Minimum	t ₂₄	3	55	130	290	ns
BUSY HIGH Width Maximum	t ₂₄	2	2.5	3.5	5.75	μs

ABSOLUTE MAXIMUM RATINGS

Table 5. AD7651 Stress Ratings¹

IN ² , TEMP ² , REF, REFBUF ³ , INGND, REFGND to AGND	AVDD + 0.3 V to AGND – 0.3 V
Ground Voltage Differences AGND, DGND, OGN	±0.3 V
Supply Voltages AVDD, DVDD, OVDD AVDD to DVDD, AVDD to OVDD DVDD to OVDD	–0.3 V to +7 V ±7 V –0.3 V to +7 V
Digital Inputs	–0.3 V to DVDD + 0.3 V
PDREF, PDBUF ³	±20 mA
Internal Power Dissipation ⁴	700 mW
Internal Power Dissipation ⁵	2.5 W
Junction Temperature	150°C
Storage Temperature Range	–65°C to +150°C
Lead Temperature Range (Soldering 10 sec)	300°C

¹Stresses above those listed under Absolute Maximum Ratings may cause permanent damage to the device. This is a stress rating only; functional operation of the device at these or any other conditions above those listed in the operational sections of this specification is not implied. Exposure to absolute maximum rating conditions for extended periods may affect device reliability.

²See Analog Input section.

³See Voltage Reference Input section.

⁴Specification is for the device in free air:

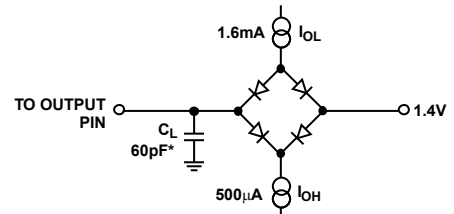
48-Lead LQFP; $\theta_{JA} = 91^\circ\text{C}/\text{W}$, $\theta_{JC} = 30^\circ\text{C}/\text{W}$

⁵Specification is for the device in free air:

48-Lead LFCSP; $\theta_{JA} = 26^\circ\text{C}/\text{W}$.

ESD CAUTION

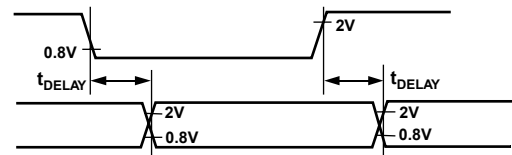
ESD (electrostatic discharge) sensitive device. Electrostatic charges as high as 4000 V readily accumulate on the human body and test equipment and can discharge without detection. Although this product features proprietary ESD protection circuitry, permanent damage may occur on devices subjected to high energy electrostatic discharges. Therefore, proper ESD precautions are recommended to avoid performance degradation or loss of functionality.



*IN SERIAL INTERFACE MODES, THE SYNC, SCLK, AND SDO_{OUT} TIMINGS ARE DEFINED WITH A MAXIMUM LOAD C_L OF 10pF; OTHERWISE, THE LOAD IS 60pF MAXIMUM.

02964-0-006

Figure 2. Load Circuit for Digital Interface Timing, SDO_{OUT}, SYNC, SCLK Outputs $C_L = 10\text{ pF}$



02965-0-007

Figure 3. Voltage Reference Levels for Timing



PIN CONFIGURATION AND FUNCTION DESCRIPTIONS

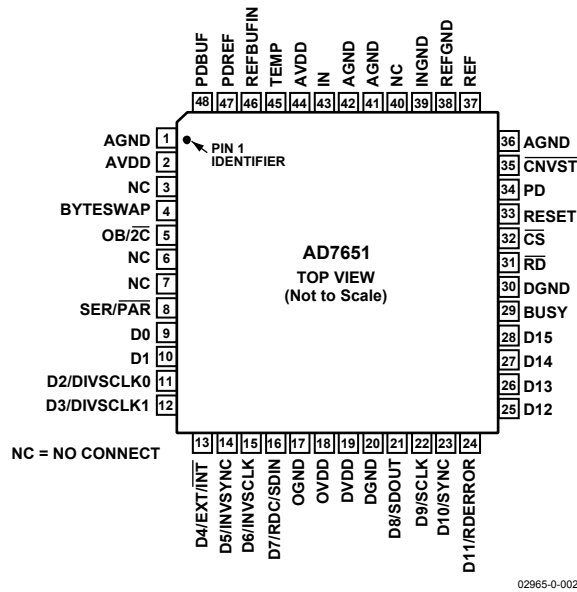


Figure 4. 48-Lead LQFP (ST-48) and 48-Lead LFCSP (CP-48)

Table 6. Pin Function Descriptions

Pin No.	Mnemonic	Type ¹	Description
1, 36, 41, 42	AGND	P	Analog Power Ground Pin.
2, 44	AVDD	P	Input Analog Power Pin. Nominally 5 V.
3, 6, 7, 40	NC		No Connect.
4	BYTESWAP	DI	Parallel Mode Selection (8-/16-bit). When LOW, the LSB is output on D[7:0] and the MSB is output on D[15:8]. When HIGH, the LSB is output on D[15:8] and the MSB is output on D[7:0].
5	OB/2C	DI	Straight Binary/Binary Twos Complement. When OB/2C is HIGH, the digital output is straight binary; when LOW, the MSB is inverted, resulting in a twos complement output from its internal shift register.
8	SER/PAR	DI	Serial/Parallel Selection Input. When LOW, the parallel port is selected; when HIGH, the serial interface mode is selected and some bits of the DATA bus are used as a serial port.
9, 10	D[0:1]	DO	Bit 0 and Bit 1 of the Parallel Port Data Output Bus. When SER/PAR is HIGH, these outputs are in high impedance.
11, 12	D[2:3] or DIVSCLK[0:1]	DI/O	When SER/PAR is LOW, these outputs are used as Bit 2 and Bit 3 of the parallel port data output bus. When SER/PAR is HIGH, EXT/INT is LOW, and RDC/SDIN is LOW (serial master read after convert), these inputs, part of the serial port, are used to slow down, if desired, the internal serial clock that clocks the data output. In other serial modes, these pins are not used.
13	D4 or EXT/INT	DI/O	When SER/PAR is LOW, this output is used as Bit 4 of the parallel port data output bus. When SER/PAR is HIGH, this input, part of the serial port, is used as a digital select input for choosing the internal data clock or an external data clock. With EXT/INT tied LOW, the internal clock is selected on the SCLK output. With EXT/INT set to a logic HIGH, output data is synchronized to an external clock signal connected to the SCLK input.
14	D5 or INVSCLK	DI/O	When SER/PAR is LOW, this output is used as Bit 5 of the parallel port data output bus. When SER/PAR is HIGH, this input, part of the serial port, is used to select the active state of the SYNC signal. It is active in both master and slave modes. When LOW, SYNC is active HIGH. When HIGH, SYNC is active LOW.
15	D6 or INVSCLK	DI/O	When SER/PAR is LOW, this output is used as Bit 6 of the parallel port data output bus. When SER/PAR is HIGH, this input, part of the serial port, is used to invert the SCLK signal. It is active in both master and slave modes.

Pin No.	Mnemonic	Type ¹	Description
16	D7 or RDC/SDIN	DI/O	<p>When $\overline{\text{SER/PAR}}$ is LOW, this output is used as Bit 7 of the parallel port data output bus.</p> <p>When $\overline{\text{SER/PAR}}$ is HIGH, this input, part of the serial port, is used as either an external data input or a read mode selection input depending on the state of $\overline{\text{EXT/INT}}$.</p> <p>When $\overline{\text{EXT/INT}}$ is HIGH, RDC/SDIN could be used as a data input to daisy-chain the conversion results from two or more ADCs onto a single SDOUT line. The digital data level on SDIN is output on DATA with a delay of 16 SCLK periods after the initiation of the read sequence.</p> <p>When $\overline{\text{EXT/INT}}$ is LOW, RDC/SDIN is used to select the read mode. When RDC/SDIN is HIGH, the data is output on SDOUT during conversion. When RDC/SDIN is LOW, the data can be output on SDOUT only when the conversion is complete.</p>
17	OGND	P	Input/Output Interface Digital Power Ground.
18	OVDD	P	Input/Output Interface Digital Power. Nominally at the same supply as the host interface (5 V or 3 V).
19	DVDD	P	Digital Power. Nominally at 5 V.
20	DGND	P	Digital Power Ground.
21	D8 or SDOUT	DO	<p>When $\overline{\text{SER/PAR}}$ is LOW, this output is used as Bit 8 of the parallel port data output bus.</p> <p>When $\overline{\text{SER/PAR}}$ is HIGH, this output, part of the serial port, is used as a serial data output synchronized to SCLK. Conversion results are stored in an on-chip register. The AD7651 provides the conversion result, MSB first, from its internal shift register. The DATA format is determined by the logic level of $\overline{\text{OB/2C}}$. In serial mode when $\overline{\text{EXT/INT}}$ is LOW, SDOUT is valid on both edges of SCLK. In serial mode when $\overline{\text{EXT/INT}}$ is HIGH, if $\overline{\text{INV SCLK}}$ is LOW, SDOUT is updated on the SCLK rising edge and valid on the next falling edge; if $\overline{\text{INV SCLK}}$ is HIGH, SDOUT is updated on the SCLK falling edge and valid on the next rising edge.</p>
22	D9 or SCLK	DI/O	<p>When $\overline{\text{SER/PAR}}$ is LOW, this output is used as Bit 9 of the parallel port data or SCLK output bus.</p> <p>When $\overline{\text{SER/PAR}}$ is HIGH, this pin, part of the serial port, is used as a serial data clock input or output, depending upon the logic state of the $\overline{\text{EXT/INT}}$ pin. The active edge where the data SDOUT is updated depends upon the logic state of the $\overline{\text{INV SCLK}}$ pin.</p>
23	D10 or SYNC	DO	<p>When $\overline{\text{SER/PAR}}$ is LOW, this output is used as Bit 10 of the parallel port data output bus.</p> <p>When $\overline{\text{SER/PAR}}$ is HIGH, this output, part of the serial port, is used as a digital output frame synchronization for use with the internal data clock ($\overline{\text{EXT/INT}} = \text{logic LOW}$). When a read sequence is initiated and $\overline{\text{INVS YNC}}$ is LOW, SYNC is driven HIGH and remains HIGH while the SDOUT output is valid. When a read sequence is initiated and $\overline{\text{INVS YNC}}$ is HIGH, SYNC is driven LOW and remains LOW while the SDOUT output is valid.</p>
24	D11 or RDERROR	DO	<p>When $\overline{\text{SER/PAR}}$ is LOW, this output is used as Bit 11 of the parallel port data output bus. When $\overline{\text{SER/PAR}}$ and $\overline{\text{EXT/INT}}$ are HIGH, this output, part of the serial port, is used as an incomplete read error flag. In slave mode, when a data read is started and not complete when the following conversion is complete, the current data is lost and RDERROR is pulsed HIGH.</p>
25–28	D[12:15]	DO	Bit 12 to Bit 15 of the Parallel Port Data Output Bus. These pins are always outputs regardless of the state of $\overline{\text{SER/PAR}}$.
29	BUSY	DO	Busy Output. Transitions HIGH when a conversion is started and remains HIGH until the conversion is complete and the data is latched into the on-chip shift register. The falling edge of BUSY could be used as a data ready clock signal.
30	DGND	P	Must Be Tied to Digital Ground.
31	$\overline{\text{RD}}$	DI	Read Data. When $\overline{\text{CS}}$ and $\overline{\text{RD}}$ are both LOW, the interface parallel or serial output bus is enabled.
32	$\overline{\text{CS}}$	DI	Chip Select. When $\overline{\text{CS}}$ and $\overline{\text{RD}}$ are both LOW, the interface parallel or serial output bus is enabled. $\overline{\text{CS}}$ is also used to gate the external clock.
33	RESET	DI	Reset Input. When set to a logic HIGH, this pin resets the AD7651 and the current conversion, if any, is aborted. If not used, this pin could be tied to DGND.
34	PD	DI	Power-Down Input. When set to a logic HIGH, power consumption is reduced and conversions are inhibited after the current one is completed.
35	$\overline{\text{CNVST}}$	DI	Start Conversion. If $\overline{\text{CNVST}}$ is HIGH when the acquisition phase (t_s) is complete, the next falling edge on $\overline{\text{CNVST}}$ puts the internal sample/hold into the hold state and initiates a conversion. The mode is most appropriate if low sampling jitter is desired. If $\overline{\text{CNVST}}$ is LOW when the acquisition phase (t_s) is complete, the internal sample/hold is put into the hold state and a conversion is immediately started.
37	REF	AI/O	Reference Input Voltage. On-chip reference output voltage.
38	REFGND	AI	Reference Input Analog Ground.
39	INGND	AI	Analog Input Ground.

AD7651

Pin No.	Mnemonic	Type ¹	Description
43	IN	AI	Primary Analog Input with a Range of 0 V to 2.5 V.
45	TEMP	AO	Temperature Sensor Voltage Output.
46	REFBUFIN	AI/O	Reference Input Voltage. The reference output and the reference buffer input.
47	PDREF	DI	This pin allows the choice of internal or external voltage references. When LOW, the on-chip reference is turned on. When HIGH, the internal reference is switched off and an external reference must be used.
48	PDBUF	DI	This pin allows the choice of buffering an internal or external reference with the internal buffer. When LOW, the buffer is selected. When HIGH, the buffer is switched off.

¹AI = Analog Input; AI/O = Bidirectional Analog; AO = Analog Output; DI = Digital Input; DI/O = Bidirectional Digital; DO = Digital Output; P = Power.

DEFINITIONS OF SPECIFICATIONS

Integral Nonlinearity Error (INL)

Linearity error refers to the deviation of each individual code from a line drawn from negative full scale through positive full scale. The point used as negative full scale occurs ½ LSB before the first code transition. Positive full scale is defined as a level 1½ LSB beyond the last code transition. The deviation is measured from the middle of each code to the true straight line.

Differential Nonlinearity Error (DNL)

In an ideal ADC, code transitions are 1 LSB apart. Differential nonlinearity is the maximum deviation from this ideal value. It is often specified in terms of resolution for which no missing codes are guaranteed.

Full-Scale Error

The last transition (from 011...10 to 011...11 in twos complement coding) should occur for an analog voltage 1½ LSB below the nominal full scale (2.49994278 V for the 0 V to 2.5 V range). The full-scale error is the deviation of the actual level of the last transition from the ideal level.

Unipolar Zero Error

The first transition should occur at a level ½ LSB above analog ground (19.073 µV for the 0 V to 2.5 V range). Unipolar zero error is the deviation of the actual transition from that point.

Spurious-Free Dynamic Range (SFDR)

SFDR is the difference, in decibels (dB), between the rms amplitude of the input signal and the peak spurious signal.

Effective Number Of Bits (ENOB)

ENOB is a measurement of the resolution with a sine wave input. It is related to $S/(N+D)$ by the following formula:

$$ENOB = (S/[N+D]dB - 1.76)/6.02$$

and is expressed in bits.

Total Harmonic Distortion (THD)

THD is the ratio of the rms sum of the first five harmonic components to the rms value of a full-scale input signal, and is expressed in decibels.

Signal-to-Noise Ratio (SNR)

SNR is the ratio of the rms value of the actual input signal to the rms sum of all other spectral components below the Nyquist frequency, excluding harmonics and dc. The value for SNR is expressed in decibels.

Signal-to-(Noise + Distortion) Ratio (S/(N+D))

$S/(N+D)$ is the ratio of the rms value of the actual input signal to the rms sum of all other spectral components below the Nyquist frequency, including harmonics but excluding dc. The value for $S/(N+D)$ is expressed in decibels.

Aperture Delay

Aperture delay is a measure of the acquisition performance and is measured from the falling edge of the CNVST input to when the input signal is held for a conversion.

Transient Response

Transient response is the time required for the AD7651 to achieve its rated accuracy after a full-scale step function is applied to its input.

Overvoltage Recovery

Overvoltage recovery is the time required for the ADC to recover to full accuracy after an analog input signal 150% of the full-scale value is reduced to 50% of the full-scale value.

Reference Voltage Temperature Coefficient

Reference voltage temperature coefficient is the change of internal reference voltage output voltage V over the operating temperature range and normalized by the output voltage at 25°C, expressed in ppm/°C. The equation follows:

$$TCV(ppm/°C) = \frac{V(T_2) - V(T_1)}{V(25°C) \times (T_2 - T_1)} \times 10^6$$

where:

$V(25°C) = V$ at +25°C

$V(T_2) = V$ at Temperature 2 (+85°C)

$V(T_1) = V$ at Temperature 1 (-40°C)

TYPICAL PERFORMANCE CHARACTERISTICS

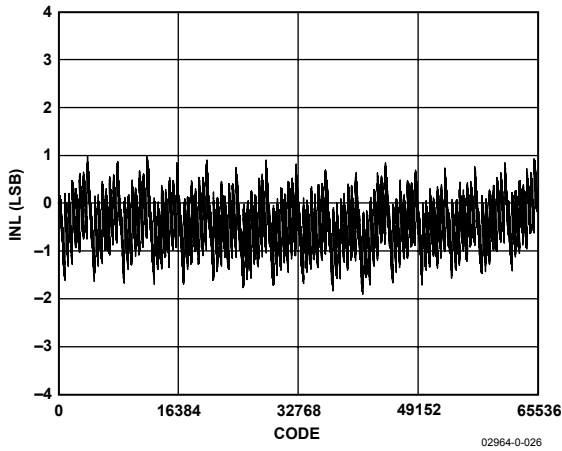


Figure 5. Integral Nonlinearity vs. Code

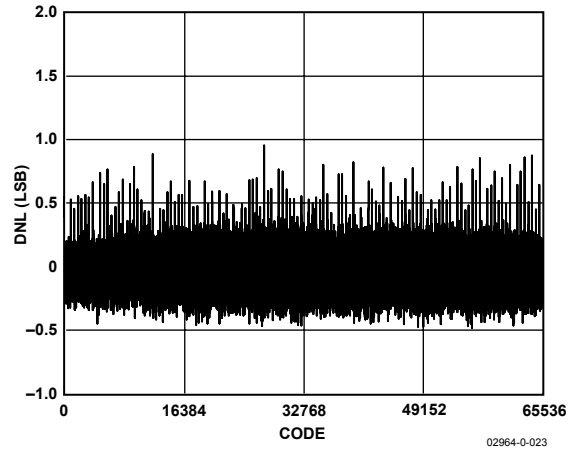


Figure 8. Differential Nonlinearity vs. Code

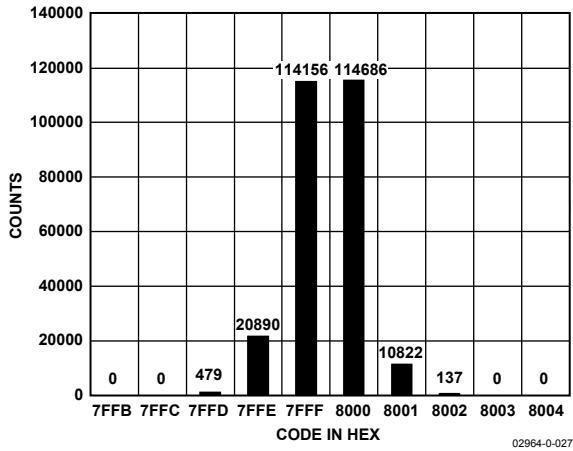


Figure 6. Histogram of 261,120 Conversions of a DC Input at the Code Transition

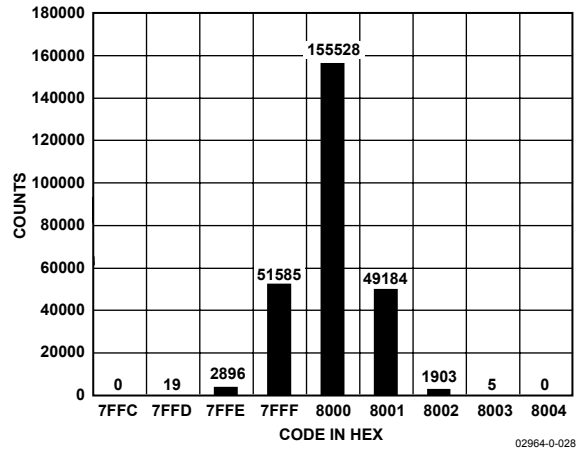


Figure 9. Histogram of 261,120 Conversions of a DC Input at the Code Center

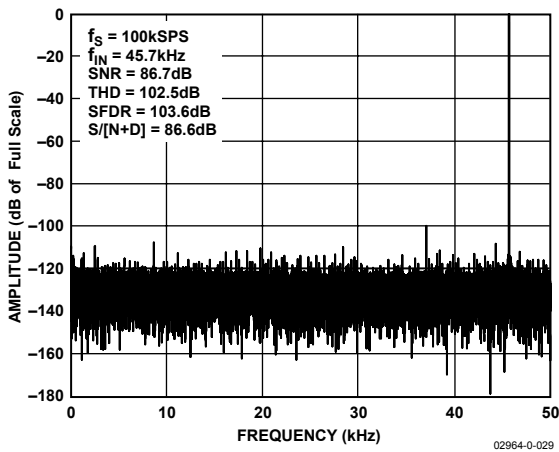


Figure 7. FFT Plot

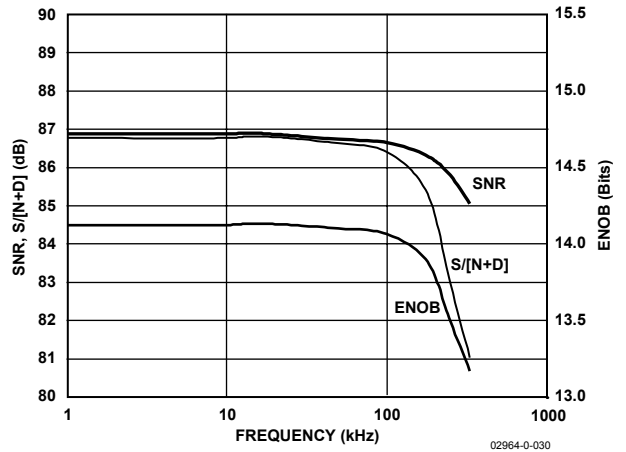


Figure 10. SNR, S/(N+D), and ENOB vs. Frequency

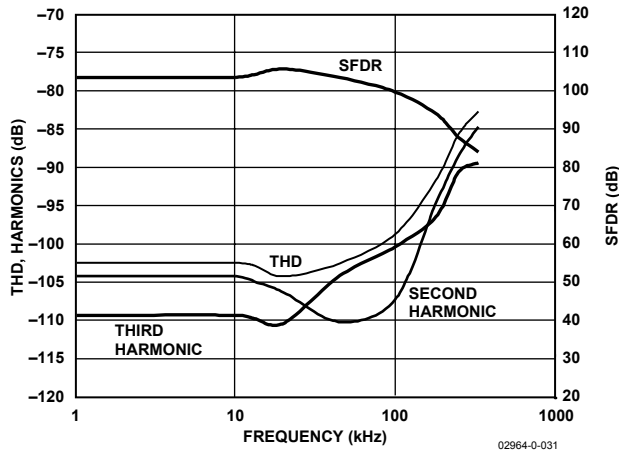


Figure 11. THD, Harmonics, and SFDR vs. Frequency

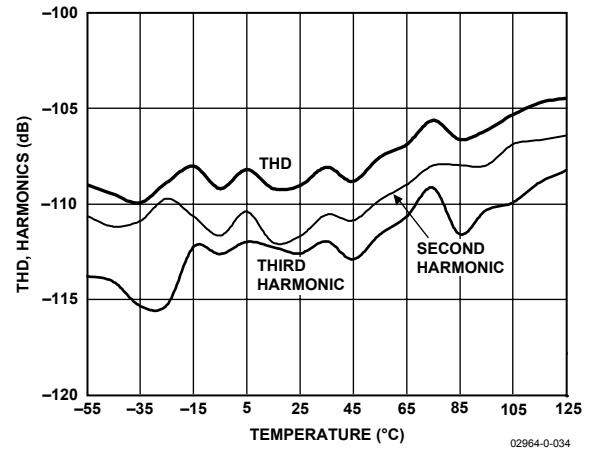


Figure 14. THD and Harmonics vs. Temperature

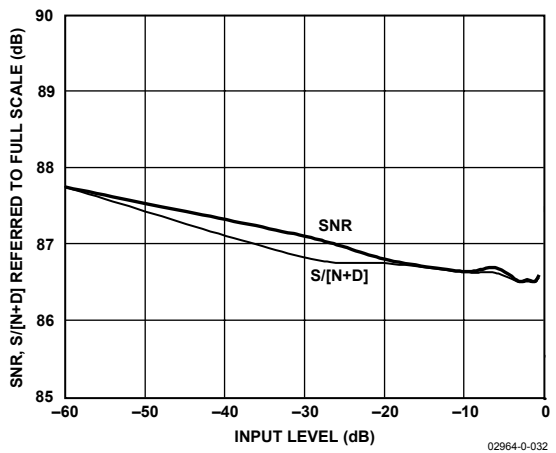


Figure 12. SNR and S/(N+D) vs. Input Level (Referred to Full Scale)

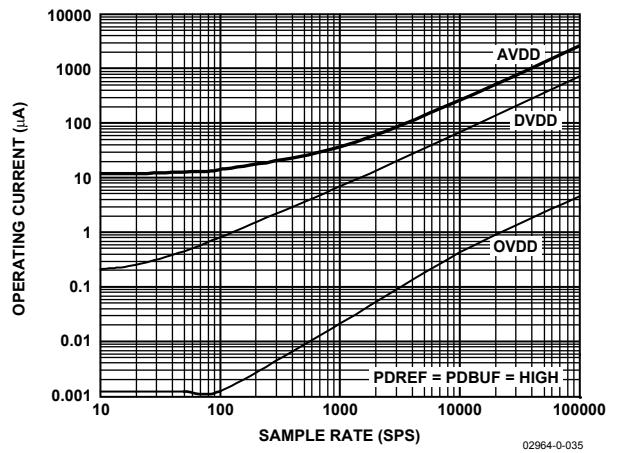


Figure 15. Operating Current vs. Sample Rate

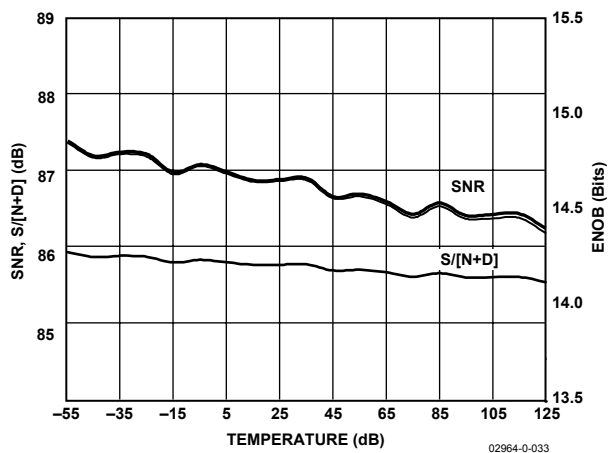


Figure 13. SNR, S/(N+D), and ENOB vs. Temperature

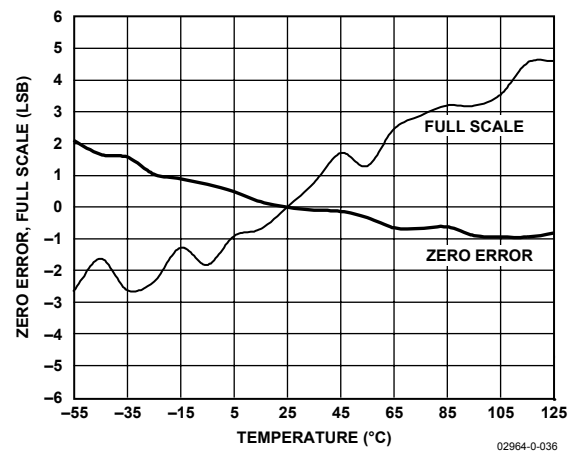


Figure 16. Zero Error, Full Scale with Reference vs. Temperature

AD7651

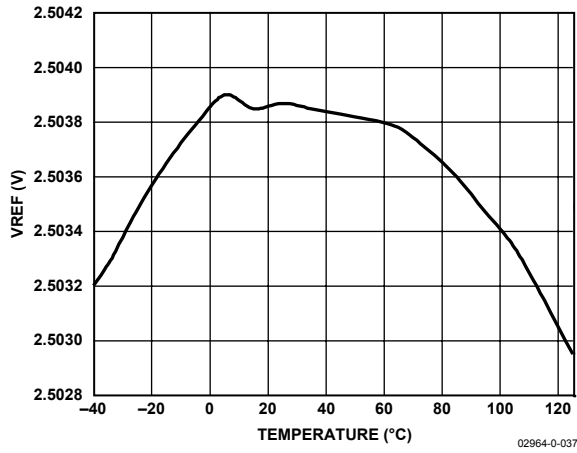


Figure 17. Typical Reference Output Voltage vs. Temperature

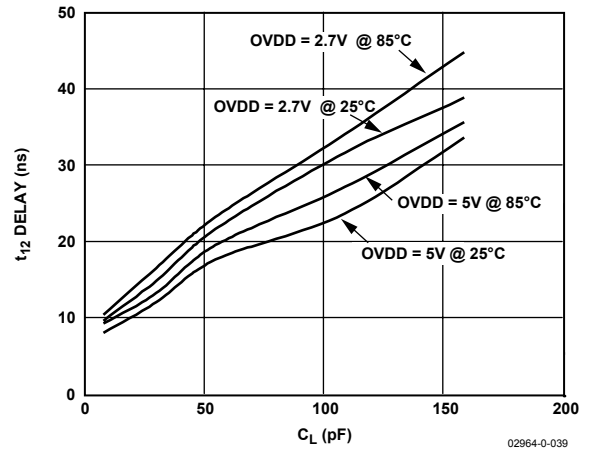


Figure 19. Typical Delay vs. Load Capacitance C_L

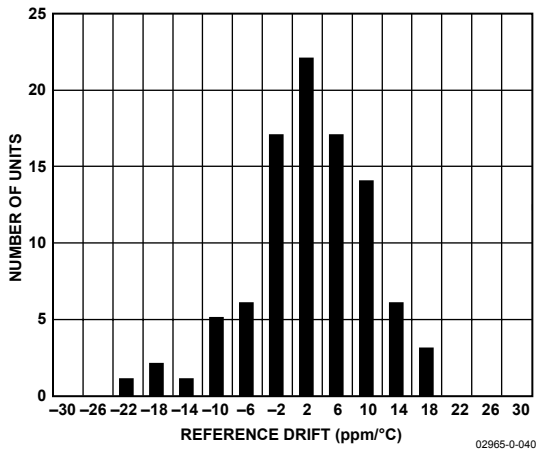
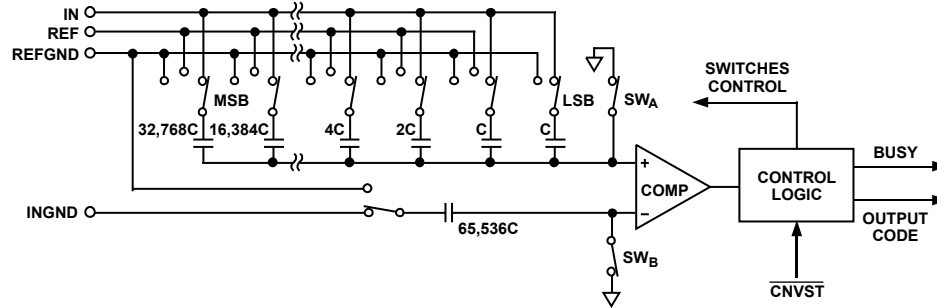


Figure 18. Reference Voltage Temperature Coefficient Distribution (100 Units)

CIRCUIT INFORMATION



02964-0-005

Figure 20. ADC Simplified Schematic

The AD7651 is a very fast, low power, single supply, precise 16-bit analog-to-digital converter (ADC).

The AD7651 provides the user with an on-chip track/hold, successive approximation ADC that does not exhibit any pipeline or latency, making it ideal for multiple multiplexed channel applications.

The AD7651 can be operated from a single 5 V supply and can be interfaced to either 5 V or 3 V digital logic. It is housed in either a 48-lead LQFP or a 48-lead LFCSP that saves space and allows flexible configurations as either a serial or parallel interface. The AD7651 is pin-to-pin compatible with PulSAR ADCs.

CONVERTER OPERATION

The AD7651 is a successive-approximation ADC based on a charge redistribution DAC. Figure 20 shows a simplified schematic of the ADC. The capacitive DAC consists of an array of 16 binary weighted capacitors and an additional LSB capacitor. The comparator's negative input is connected to a dummy capacitor of the same value as the capacitive DAC array.

During the acquisition phase, the common terminal of the array tied to the comparator's positive input is connected to AGND via SW_A . All independent switches are connected to the analog input IN. Thus, the capacitor array is used as a sampling capacitor and acquires the analog signal on IN. Similarly, the dummy capacitor acquires the analog signal on INGND.

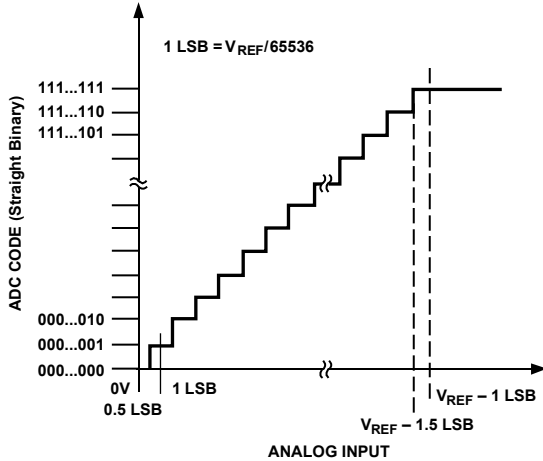
When \overline{CNVST} goes LOW, a conversion phase is initiated. When the conversion phase begins, SW_A and SW_B are opened. The capacitor array and dummy capacitor are then disconnected from the inputs and connected to REFGND. Therefore, the differential voltage between IN and INGND captured at the end of the acquisition phase is applied to the comparator inputs, causing the comparator to become unbalanced. By switching each element of the capacitor array between REFGND and REF, the comparator input varies by binary weighted voltage steps ($V_{REF}/2, V_{REF}/4, \dots, V_{REF}/65536$). The control logic toggles these switches, starting with the MSB, to bring the comparator back into a balanced condition.

After this process is completed, the control logic generates the ADC output code and brings the BUSY output LOW.

AD7651

Transfer Functions

Using the $OB/\overline{2C}$ digital input, the AD7651 offers two output codings: straight binary and twos complement. The LSB size is $V_{REF}/65536$, which is about $38.15 \mu V$. The AD7651's ideal transfer characteristic is shown in Figure 21 and Table 7.



02964-0-003

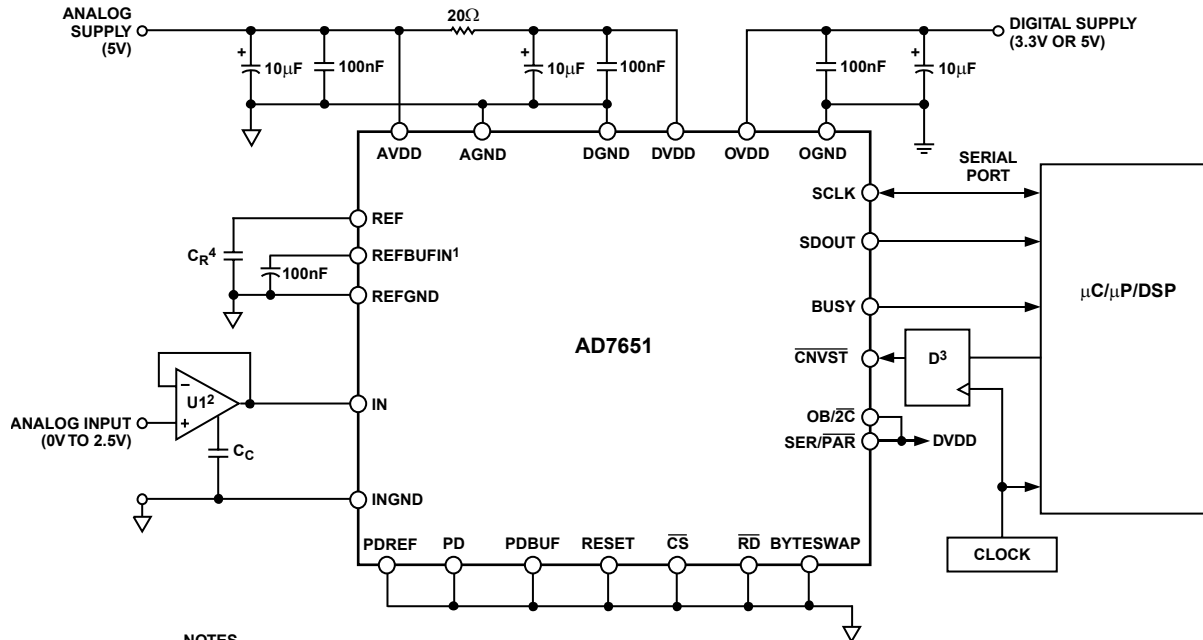
Figure 21. ADC Ideal Transfer Function

Table 7. Output Codes and Ideal Input Voltages

Description	Analog Input	Digital Output Code (Hex)	
		Straight Binary	Twos Complement
FSR - 1 LSB	2.499962 V	FFFF ¹	7FFF1
FSR - 2 LSB	2.499923 V	FFFE	7FFE
Midscale + 1 LSB	1.250038 V	8001	0001
Midscale	1.25 V	8000	0000
Midscale - 1 LSB	1.249962 V	7FFF	FFFF
-FSR + 1 LSB	38 μV	0001	8001
-FSR	0 V	0000 ²	8000 ²

¹This is also the code for overrange analog input ($V_{IN} - V_{INGND}$ above $V_{REF} - V_{REFGND}$).

²This is also the code for underrange analog input (V_{IN} below V_{INGND}).



NOTES

¹THE CONFIGURATION SHOWN IS USING THE INTERNAL REFERENCE AND INTERNAL BUFFER.

²THE AD8021 IS RECOMMENDED. SEE DRIVER AMPLIFIER CHOICE SECTION.

³OPTIONAL LOW JITTER.

⁴A 10 μF CERAMIC CAPACITOR (X5R, 1206 SIZE) IS RECOMMENDED (e.g., PANASONIC ECJ3YB0J106M). SEE VOLTAGE REFERENCE INPUT SECTION.

02964-0-004

Figure 22. Typical Connection Diagram

TYPICAL CONNECTION DIAGRAM

Figure 22 shows a typical connection diagram for the AD7651.

Analog Input

Figure 23 shows an equivalent circuit of the input structure of the AD7651.

The two diodes, D1 and D2, provide ESD protection for the analog inputs IN and INGND. Care must be taken to ensure that the analog input signal never exceeds the supply rails by more than 0.3 V. This will cause these diodes to become forward-biased and start conducting current. These diodes can handle a forward-biased current of 100 mA maximum. For instance, these conditions could eventually occur when the input buffer's (U1) supplies are different from AVDD. In such a case, an input buffer with a short-circuit current limitation can be used to protect the part.

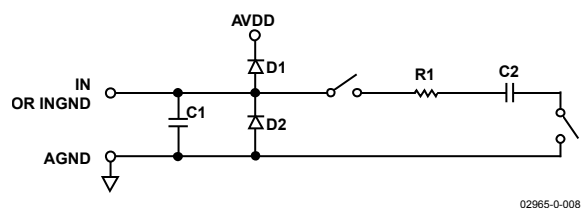


Figure 23. Equivalent Analog Input Circuit

This analog input structure allows the sampling of the differential signal between IN and INGND. Unlike other converters, INGND is sampled at the same time as IN. By using this differential input, small signals common to both inputs are rejected. For instance, by using INGND to sense a remote signal ground, ground potential differences between the sensor and the local ADC ground are eliminated.

During the acquisition phase, the impedance of the analog input IN can be modeled as a parallel combination of capacitor C1 and the network formed by the series connection of R1 and C2. C1 is primarily the pin capacitance. R1 is typically 3250 Ω and is a lumped component made up of some serial resistors and the on resistance of the switches. C2 is typically 60 pF and is mainly the ADC sampling capacitor. During the conversion phase, where the switches are opened, the input impedance is limited to C1. R1 and C2 make a 1-pole low-pass filter that reduces undesirable aliasing effect and limits the noise.

When the source impedance of the driving circuit is low, the AD7651 can be driven directly. Large source impedances will significantly affect the ac performance, especially total harmonic distortion.

Driver Amplifier Choice

Although the AD7651 is easy to drive, the driver amplifier needs to meet the following requirements:

- The driver amplifier and the AD7651 analog input circuit must be able to settle for a full-scale step of the capacitor array at a 16-bit level (0.0015%). In the amplifier's data sheet, settling at 0.1% to 0.01% is more commonly specified. This could differ significantly from the settling time at a 16-bit level and should be verified prior to driver selection. The tiny op amp OP184, which combines ultra low noise and high gain-bandwidth, meets this settling time requirement.
- The noise generated by the driver amplifier needs to be kept as low as possible in order to preserve the SNR and transition noise performance of the AD7651. The noise coming from the driver is filtered by the AD7651 analog input circuit 1-pole low-pass filter made by R1 and C2 or by the external filter, if one is used.
- The driver needs to have a THD performance suitable to that of the AD7651.

The [OP184](#), [OP162](#) or [AD8519](#) meet these requirements and are usually appropriate for almost all applications. As an alternative, in very high speed and noise-sensitive applications, the [AD8021](#) with an external 10 pF compensation capacitor can be used. This capacitor should have good linearity as an NPO ceramic or mica type. Moreover, the use of a noninverting +1 gain arrangement is recommended and helps to obtain the best signal-to-noise ratio.

The [AD8022](#) could also be used if a dual version is needed and gain of 1 is present. The [AD829](#) is an alternative in applications where high frequency (above 100 kHz) performance is not required. In gain of 1 applications, it requires an 82 pF compensation capacitor. The [AD8610](#) is an option when low bias current is needed in low frequency applications.

AD7651

Voltage Reference Input

The AD7651 allows the choice of either a very low temperature drift internal voltage reference or an external 2.5 V reference.

Unlike many ADCs with internal references, the internal reference of the AD7651 provides excellent performance and can be used in almost all applications.

To use the internal reference along with the internal buffer, PDREF and PDBUF should both be LOW. This will produce a 1.207 V voltage on REFBUFIN which, amplified by the buffer, will result in a 2.5 V reference on the REF pin.

The output impedance of REFBUFIN is 11 k Ω (minimum) when the internal reference is enabled. It is useful to decouple REFBUFIN with a 100 nF ceramic capacitor. Thus, the 100 nF capacitor provides an RC filter for noise reduction.

To use an external reference along with the internal buffer, PDREF should be HIGH and PDBUF should be LOW. This powers down the internal reference and allows the 2.5 V reference to be applied to REFBUFIN.

To use an external reference directly on REF pin, PDREF and PDBUF should both be HIGH.

PDREF and PDBUF respectively power down the internal reference and the internal reference buffer. Note that the PDREF and PDBUF input current should never exceed 20 mA. This could eventually occur when input voltage is above AVDD (for instance at power up). In this case, a 100 Ω series resistor is recommended.

The internal reference is temperature compensated to 2.5 V \pm 20 mV. The reference is trimmed to provide a typical drift of 7 ppm/ $^{\circ}$ C. This typical drift characteristic is shown in Figure 17. For improved drift performance, an external reference such as the AD780 can be used.

The AD7651 voltage reference input REF has a dynamic input impedance; it should therefore be driven by a low impedance source with efficient decoupling between the REF and REFGND inputs. This decoupling depends on the choice of the voltage reference but usually consists of a low ESR tantalum capacitor connected to REF and REFGND with minimum parasitic inductance. A 10 μ F (X5R, 1206 size) ceramic chip capacitor (or 47 μ F tantalum capacitor) is appropriate when using either the internal reference or one of these recommended reference voltages:

- The low noise, low temperature drift [ADR421](#) and [AD780](#)
- The low power [ADR291](#)
- The low cost [AD1582](#)

For applications that use multiple AD7651s, it is more effective to use the internal buffer to buffer the reference voltage.

Care should be taken with the voltage reference's temperature coefficient, which directly affects the full-scale accuracy if this parameter matters. For instance, a ± 15 ppm/ $^{\circ}$ C temperature coefficient of the reference changes full scale by ± 1 LSB/ $^{\circ}$ C.

Note that V_{REF} can be increased to AVDD – 1.85 V. Since the input range is defined in terms of V_{REF} , this would essentially increase the range to 0 V to 3 V with an AVDD above 4.85 V. The [AD780](#) can be selected with a 3 V reference voltage.

The TEMP pin, which measures the temperature of the AD7651, can be used as shown in Figure 24. The output of TEMP pin is applied to one of the inputs of the analog switch (e.g., [ADG779](#)), and the ADC itself is used to measure its own temperature. This configuration is very useful for improving the calibration accuracy over the temperature range.

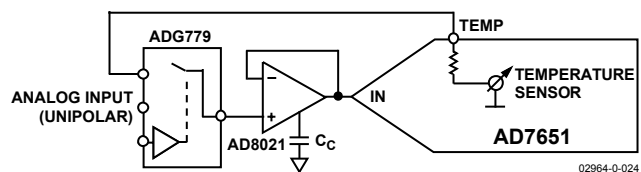


Figure 24. Temperature Sensor Connection Diagram

Power Supply

The AD7651 uses three power supply pins: an analog 5 V supply AVDD, a digital 5 V core supply DVDD, and a digital input/output interface supply OVDD. OVDD allows direct interface with any logic between 2.7 V and DVDD + 0.3 V. To reduce the supplies needed, the digital core (DVDD) can be supplied through a simple RC filter from the analog supply, as shown in Figure 22. The AD7651 is independent of power supply sequencing once OVDD does not exceed DVDD by more than 0.3 V, and is thus free of supply voltage induced latch-up.

POWER DISSIPATION VERSUS THROUGHPUT

Operating currents are very low during the acquisition phase, allowing significant power savings when the conversion rate is reduced (see Figure 25). The AD7651 automatically reduces its power consumption at the end of each conversion phase. This makes the part ideal for very low power battery applications. The digital interface and the reference remain active even during the acquisition phase. To reduce operating digital supply currents even further, digital inputs need to be driven close to the power supply rails (i.e., DVDD or DGND), and OVDD should not exceed DVDD by more than 0.3 V.

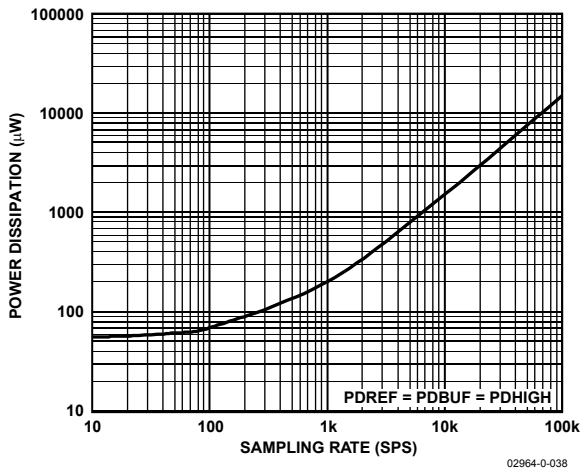


Figure 25. Power Dissipation vs. Sampling Rate

CONVERSION CONTROL

Figure 26 shows the detailed timing diagrams of the conversion process. The AD7651 is controlled by the $\overline{\text{CNVST}}$ signal, which initiates conversion. Once initiated, it cannot be restarted or aborted, even by the power-down input PD, until the conversion is complete. $\overline{\text{CNVST}}$ operates independently of $\overline{\text{CS}}$ and $\overline{\text{RD}}$.

Conversions can be automatically initiated with the AD7651. If $\overline{\text{CNVST}}$ is held LOW when BUSY is LOW, the AD7651 controls the acquisition phase and automatically initiates a new conversion. By keeping $\overline{\text{CNVST}}$ LOW, the AD7651 keeps the conversion process running by itself. It should be noted that the analog input must be settled when BUSY goes LOW. Also, at power-up, $\overline{\text{CNVST}}$ should be brought LOW once to initiate the conversion process. In this mode, the AD7651 can run slightly faster than the guaranteed 100 kSPS.

Although $\overline{\text{CNVST}}$ is a digital signal, it should be designed with special care with fast, clean edges, and levels with minimum overshoot and undershoot or ringing.

The $\overline{\text{CNVST}}$ trace should be shielded with ground and a low value serial resistor (i.e., 50 Ω) termination should be added close to the output of the component that drives this line.

For applications where SNR is critical, the $\overline{\text{CNVST}}$ signal should have very low jitter. This may be achieved by using a dedicated oscillator for $\overline{\text{CNVST}}$ generation, or to clock $\overline{\text{CNVST}}$ with a high frequency, low jitter clock, as shown in Figure 22.

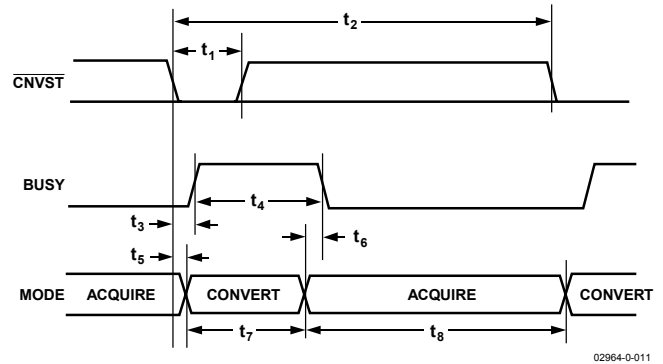


Figure 26. Basic Conversion Timing

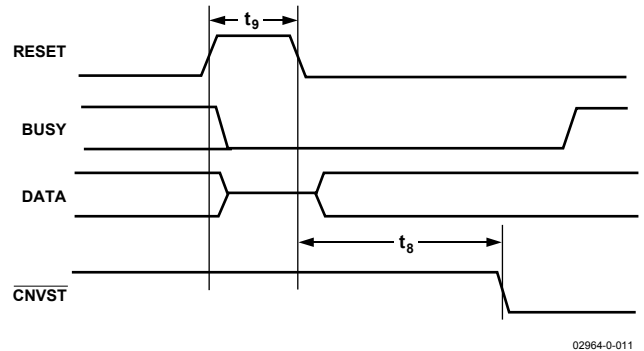


Figure 27. RESET Timing

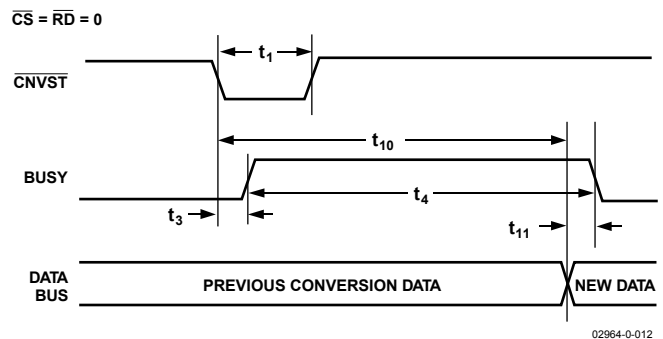


Figure 28. Master Parallel Data Timing for Reading (Continuous Read)

AD7651

DIGITAL INTERFACE

The AD7651 has a versatile digital interface; it can be interfaced with the host system by using either a serial or a parallel interface. The serial interface is multiplexed on the parallel data bus. The AD7651 digital interface also accommodates both 3 V and 5 V logic by simply connecting the OVDD supply pin of the AD7651 to the host system interface digital supply. Finally, by using the $\overline{OB}/2\overline{C}$ input pin, both twos complement or straight binary coding can be used.

The two signals, \overline{CS} and \overline{RD} , control the interface. \overline{CS} and \overline{RD} have a similar effect because they are OR'd together internally. When at least one of these signals is HIGH, the interface outputs are in high impedance. Usually \overline{CS} allows the selection of each AD7651 in multicircuit applications and is held low in a single AD7651 design. \overline{RD} is generally used to enable the conversion result on the data bus.

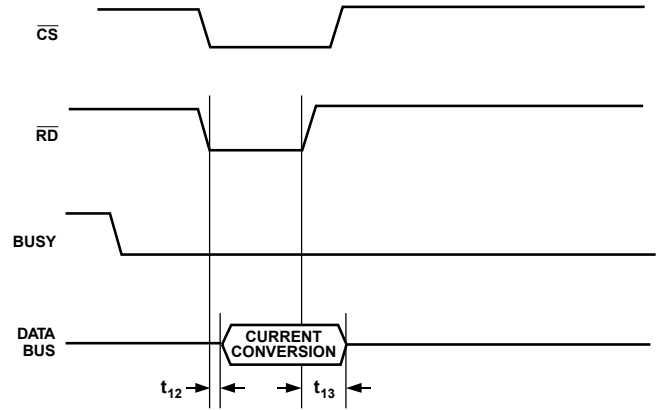
PARALLEL INTERFACE

The AD7651 is configured to use the parallel interface when $\overline{SER}/\overline{PAR}$ is held LOW. The data can be read either after each conversion, which is during the next acquisition phase, or during the following conversion, as shown in Figure 29 and Figure 30, respectively. When the data is read during the conversion, however, it is recommended that it is read only during the first half of the conversion phase. This avoids any potential feedthrough between voltage transients on the digital interface and the most critical analog conversion circuitry.

The BYTESWAP pin allows a glueless interface to an 8-bit bus. As shown in Figure 31, the LSB byte is output on D[7:0] and the MSB is output on D[15:8] when BYTESWAP is LOW. When BYTESWAP is HIGH, the LSB and MSB bytes are swapped and the LSB is output on D[15:8] and the MSB is output on D[7:0]. By connecting BYTESWAP to an address line, the 16-bit data can be read in two bytes on either D[15:8] or D[7:0].

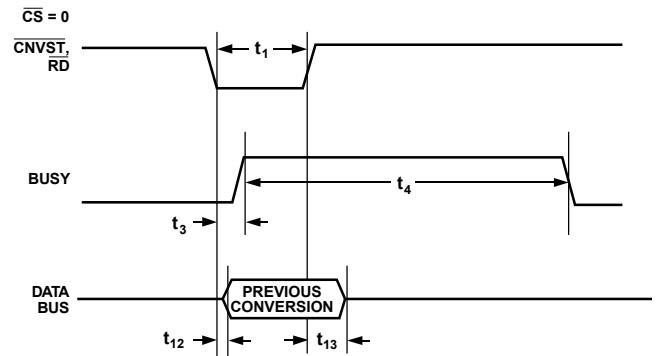
SERIAL INTERFACE

The AD7651 is configured to use the serial interface when $\overline{SER}/\overline{PAR}$ is held HIGH. The AD7651 outputs 16 bits of data, MSB first, on the SDOUT pin. This data is synchronized with the 16 clock pulses provided on the SCLK pin. The output data is valid on both the rising and falling edges of the data clock.



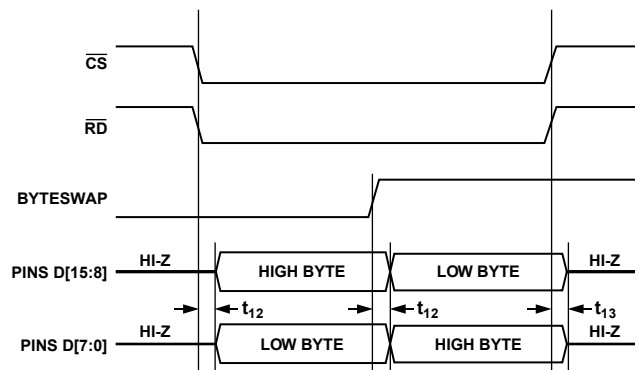
02964-0-013

Figure 29. Slave Parallel Data Timing for Reading (Read after Convert)



02964-0-014

Figure 30. Slave Parallel Data Timing for Reading (Read during Convert)



02964-0-025

Figure 31. 8-Bit Parallel Interface

MASTER SERIAL INTERFACE

Internal Clock

The AD7651 is configured to generate and provide the serial data clock SCLK when the EXT/INT pin is held LOW. The AD7651 also generates a SYNC signal to indicate to the host when the serial data is valid. The serial clock SCLK and the SYNC signal can be inverted if desired. Depending on the RDC/SDIN input, the data can be read after each conversion or during the following conversion. Figure 32 and Figure 33 show detailed timing diagrams of these two modes.

Usually, because the AD7651 has a longer acquisition phase than the conversion phase, the data is read immediately after conversion. This makes the Master Read After Conversion the most recommended serial mode when it can be used. In this mode, it should be noted that unlike in other modes, the BUSY signal returns LOW after the 16 data bits are pulsed out and not at the end of the conversion phase, which results in a longer BUSY width.

In the Read During Conversion mode, the serial clock and data toggle at appropriate instants, which minimize potential feed-through between digital activity and critical conversion decisions

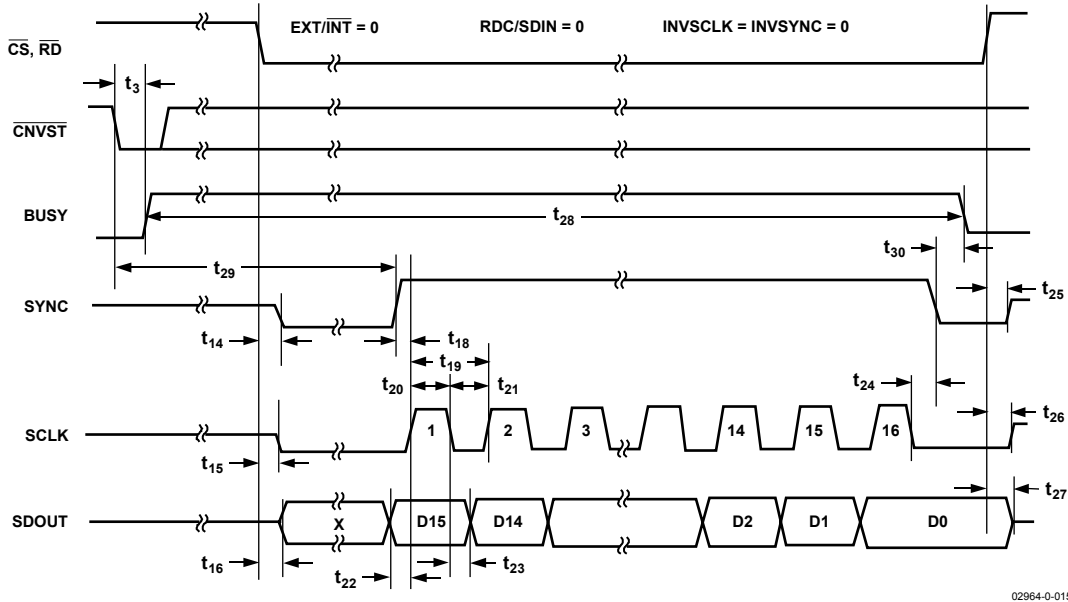


Figure 32. Master Serial Data Timing for Reading (Read after Convert)

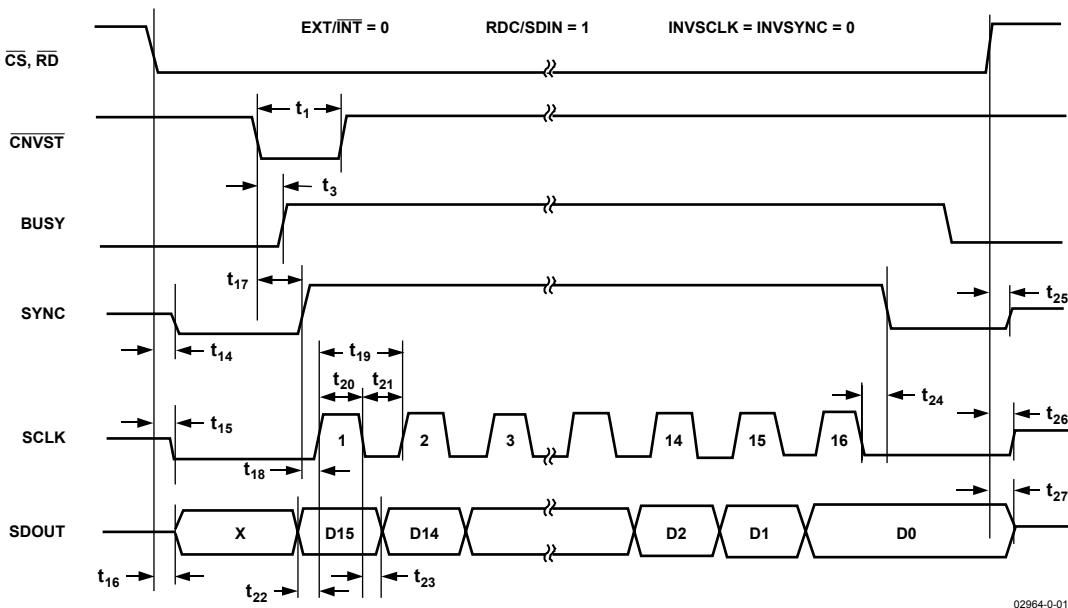


Figure 33. Master Serial Data Timing for Reading (Read Previous Conversion during Convert)

SLAVE SERIAL INTERFACE

External Clock

The AD7651 is configured to accept an externally supplied serial data clock on the SCLK pin when the EXT/INT pin is held HIGH. In this mode, several methods can be used to read the data. The external serial clock is gated by CS. When CS and RD are both LOW, the data can be read after each conversion or during the following conversion. The external clock can be either a continuous or a discontinuous clock. A discontinuous clock can be either normally HIGH or normally LOW when inactive. Figure 34 and Figure 35 show the detailed timing diagrams of these methods. Usually, because the AD7651 has a longer acquisition phase than conversion phase, the data are read immediately after conversion.

While the AD7651 is performing a bit decision, it is important that voltage transients be avoided on digital input/output pins or degradation of the conversion result could occur. This is particularly important during the second half of the conversion phase because the AD7651 provides error correction circuitry that can correct for an improper bit decision made during the first half of the conversion phase. For this reason, it is recommended that when an external clock is being provided, it is a discontinuous clock that is toggling only when BUSY is LOW, or, more importantly, that it does not transition during the latter half of BUSY HIGH.

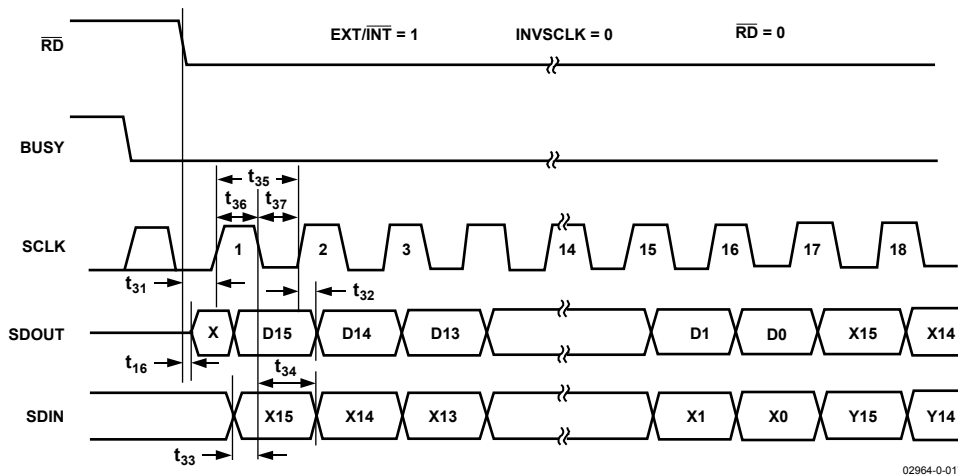


Figure 34. Slave Serial Data Timing for Reading (Read after Convert)

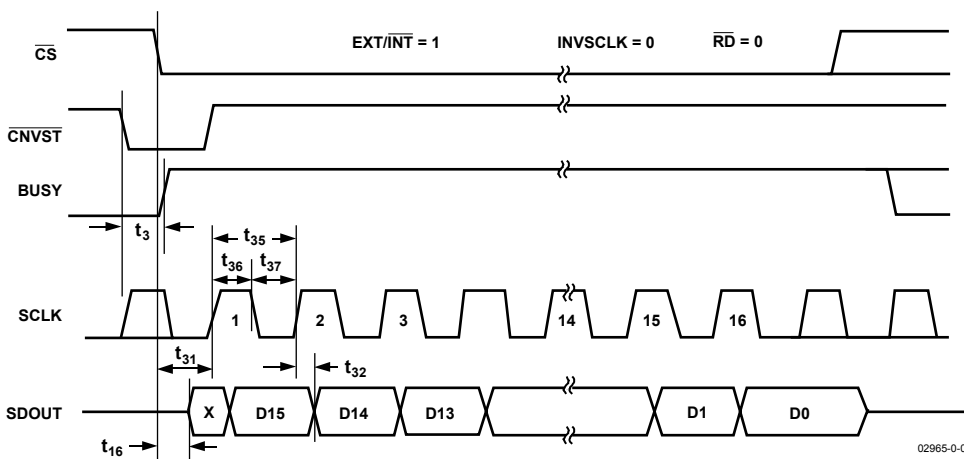


Figure 35. Slave Serial Data Timing for Reading (Read Previous Conversion during Convert)

External Discontinuous Clock Data Read After Conversion

Though the maximum throughput cannot be achieved using this mode, it is the most recommended of the serial slave modes. Figure 34 shows the detailed timing diagrams of this method. After a conversion is complete, indicated by $\overline{\text{BUSY}}$ returning LOW, the conversion's result can be read while both $\overline{\text{CS}}$ and $\overline{\text{RD}}$ are LOW. Data is shifted out MSB first with 16 clock pulses and is valid on the rising and falling edges of the clock.

Among the advantages of this method is the fact that conversion performance is not degraded because there are no voltage transients on the digital interface during the conversion process. Another advantage is the ability to read the data at any speed up to 40 MHz, which accommodates both the slow digital host interface and the fastest serial reading.

Finally, in this mode only, the AD7651 provides a daisy-chain feature using the RDC/SDIN pin for cascading multiple converters together. This feature is useful for reducing component count and wiring connections when desired, as, for instance, in isolated multiconverter applications.

An example of the concatenation of two devices is shown in Figure 36. Simultaneous sampling is possible by using a common $\overline{\text{CNVST}}$ signal. It should be noted that the RDC/SDIN input is latched on the opposite edge of SCLK of the one used to shift out the data on SDOOUT. Therefore, the MSB of the "upstream" converter just follows the LSB of the "downstream" converter on the next SCLK cycle.

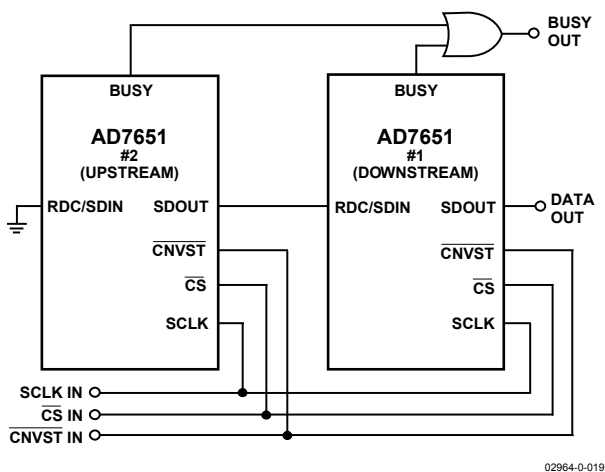


Figure 36. Two AD7651s in a Daisy-Chain Configuration

External Clock Data Read During Conversion

Figure 35 shows the detailed timing diagrams of this method. During a conversion, while both $\overline{\text{CS}}$ and $\overline{\text{RD}}$ are LOW, the result of the previous conversion can be read. The data is shifted out MSB first with 16 clock pulses, and is valid on both the rising and falling edges of the clock. The 16 bits must be read before the current conversion is complete; otherwise, RDERROR is pulsed HIGH and can be used to interrupt the host interface to prevent incomplete data reading. There is no daisy-chain feature in this mode and the RDC/SDIN input should always be tied either HIGH or LOW.

To reduce performance degradation due to digital activity, a fast discontinuous clock of at least 18 MHz is recommended to ensure that all the bits are read during the first half of the conversion phase. It is also possible to begin to read data after conversion and continue to read the last bits after a new conversion has been initiated. This allows the use of a slower clock speed like 14 MHz.

AD7651

MICROPROCESSOR INTERFACING

The AD7651 is ideally suited for traditional dc measurement applications supporting a microprocessor, and for ac signal processing applications interfacing to a digital signal processor. The AD7651 is designed to interface either with a parallel 8-bit or 16-bit wide interface, or with a general-purpose serial port or I/O ports on a microcontroller. A variety of external buffers can be used with the AD7651 to prevent digital noise from coupling into the ADC. The following section discusses the use of an AD7651 with an ADSP-219x SPI equipped DSP.

SPI Interface (ADSP-219x)

Figure 37 shows an interface diagram between the AD7651 and the SPI equipped ADSP-219x. To accommodate the slower speed of the DSP, the AD7651 acts as a slave device and data must be read after conversion. This mode also allows the daisy-chain feature. The convert command can be initiated in response to an internal timer interrupt. The reading process can be initiated in response to the end-of-conversion signal (BUSY going LOW) using an interrupt line of the DSP. The serial interface (SPI) on the ADSP-219x is configured for master mode—

(MSTR) = 1, Clock Polarity bit (CPOL) = 0, Clock Phase bit (CPHA) = 1, and SPI Interrupt Enable (TIMOD) = 00—by writing to the SPI control register (SPICLTx). To meet all timing requirements, the SPI clock should be limited to 17 Mbps, which allows it to read an ADC result in less than 1 μ s. When a higher sampling rate is desired, use of one of the parallel interface modes is recommended.

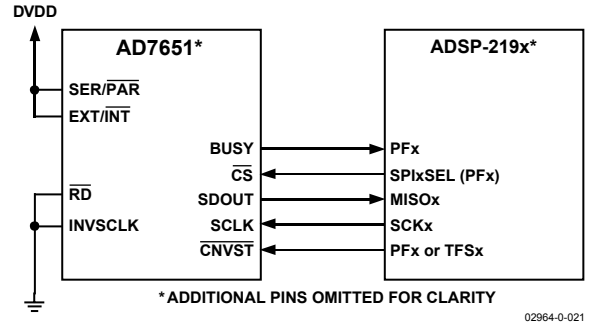


Figure 37. Interfacing the AD7651 to an SPI Interfac

APPLICATION HINTS

BIPOLAR AND WIDER INPUT RANGES

In some applications, it is desirable to use a bipolar or wider analog input range such as ± 10 V, ± 5 V, or 0 V to 5 V. Although the AD7651 has only one unipolar range, simple modifications of input driver circuitry allow bipolar and wider input ranges to be used without any performance degradation. Figure 38 shows a connection diagram that allows this. Component values required and resulting full-scale ranges are shown in Table 8.

When desired, accurate gain and offset can be calibrated by acquiring a ground and voltage reference using an analog multiplexer (U2), as shown in Figure 38.

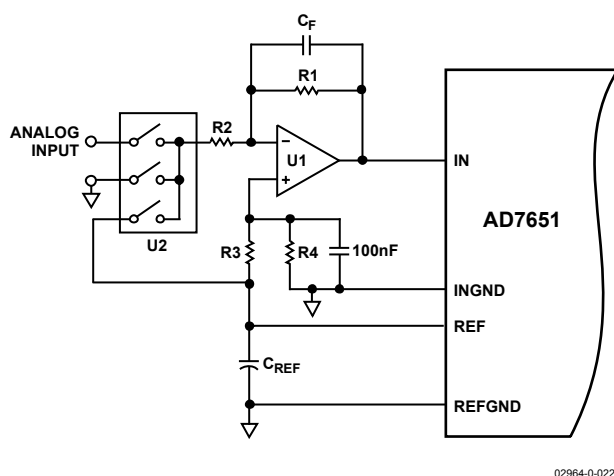


Figure 38. Using the AD7651 in 16-Bit Bipolar and/or Wider Input Ranges

Table 8. Component Values and Input Ranges

Input Range	R1 (Ω)	R2 ($k\Omega$)	R3 ($k\Omega$)	R4 ($k\Omega$)
± 10 V	500	4	2.5	2
± 5 V	500	2	2.5	1.67
0 V to -5 V	500	1	None	0

LAYOUT

The AD7651 has very good immunity to noise on the power supplies. However, care should still be taken with regard to grounding layout.

The printed circuit board that houses the AD7651 should be designed so the analog and digital sections are separated and confined to certain areas of the board. This facilitates the use of ground planes that can be separated easily. Digital and analog ground planes should be joined in only one place, preferably underneath the AD7651, or as close as possible to the AD7651. If the AD7651 is in a system where multiple devices require analog-to-digital ground connections, the connection should still be made at one point only, a star ground point that should

be established as close as possible to the AD7651.

Running digital lines under the device should be avoided since these will couple noise onto the die. The analog ground plane should be allowed to run under the AD7651 to avoid noise coupling. Fast switching signals like \overline{CNVST} or clocks should be shielded with digital ground to avoid radiating noise to other sections of the board, and should never run near analog signal paths. Crossover of digital and analog signals should be avoided. Traces on different but close layers of the board should run at right angles to each other. This will reduce the effect of crosstalk through the board.

The power supply lines to the AD7651 should use as large a trace as possible to provide low impedance paths and reduce the effect of glitches on the power supply lines. Good decoupling is also important to lower the supply's impedance presented to the AD7651 and to reduce the magnitude of the supply spikes. Decoupling ceramic capacitors, typically 100 nF, should be placed on each power supply pin—AVDD, DVDD, and OVDD—close to, and ideally right up against these pins and their corresponding ground pins. Additionally, low ESR 10 μ F capacitors should be located near the ADC to further reduce low frequency ripple.

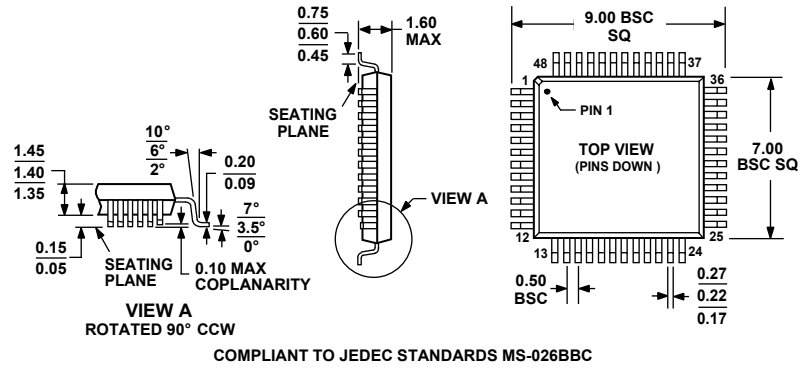
The DVDD supply of the AD7651 can be a separate supply or can come from the analog supply AVDD or the digital interface supply OVDD. When the system digital supply is noisy or when fast switching digital signals are present, if no separate supply is available, the user should connect DVDD to AVDD through an RC filter (see Figure 22) and the system supply to OVDD and the remaining digital circuitry. When DVDD is powered from the system supply, it is useful to insert a bead to further reduce high frequency spikes.

The AD7651 has five different ground pins: INGND, REFGND, AGND, DGND, and OGND. INGND is used to sense the analog input signal. REFGND senses the reference voltage and, because it carries pulsed currents, should be a low impedance return to the reference. AGND is the ground to which most internal ADC analog signals are referenced; it must be connected with the least resistance to the analog ground plane. DGND must be tied to the analog or digital ground plane depending on the configuration. OGND is connected to the digital system ground.

EVALUATING THE AD7651'S PERFORMANCE

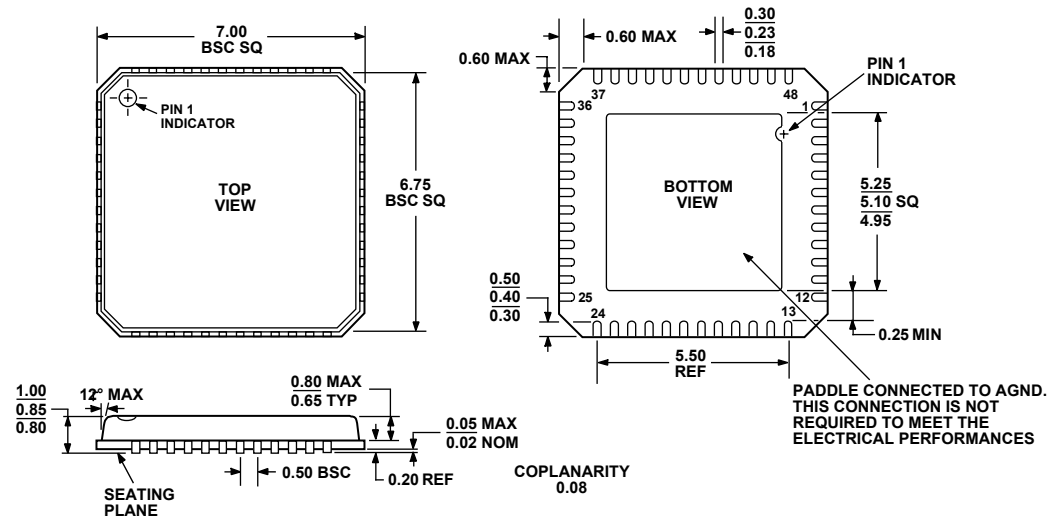
A recommended layout for the AD7651 is outlined in the [EVAL-AD7651](#) evaluation board for the AD7651. The evaluation board package includes a fully assembled and tested evaluation board, documentation, and software for controlling the board from a PC via the [EVAL-CONTROL BRD2](#).

OUTLINE DIMENSIONS



COMPLIANT TO JEDEC STANDARDS MS-026BBC

Figure 39. 48-Lead Quad Flatpack (LQFP) [ST-48]
Dimensions shown in millimeters



COMPLIANT TO JEDEC STANDARDS MO-220-VKGD-2

Figure 40. 48-Lead Frame Chip Scale Package (LFCSF) [CP-48]
Dimensions shown in millimeters

ORDERING GUIDE

Model	Temperature Range	Package Description	Package Option
AD7651AST	-40°C to +85°C	Quad Flatpack (LQFP)	ST-48
AD7651ASTRL	-40°C to +85°C	Quad Flatpack (LQFP)	ST-48
AD7651ACP	-40°C to +85°C	Lead Frame Chip Scale (LFCSF)	CP-48
AD7651ACPRL	-40°C to +85°C	Lead Frame Chip Scale (LFCSF)	CP-48
EVAL-AD7651CB ¹		Evaluation Board	
EVAL-CONTROL BRD2 ²		Controller Board	

¹This board can be used as a standalone evaluation board or in conjunction with the EVAL-CONTROL BRD2 for evaluation/demonstration purposes.
²This board allows a PC to control and communicate with all Analog Devices evaluation boards ending in the CB designators.

NOTES

AD7651

NOTES