

## 2.1-Channel Digital Audio Amplifier with Headphone Driver

### Features

- 16/18/20/24-bit input with I<sup>2</sup>S, Left-alignment and Right-alignment data format
- PSNR & DR(A-weighting)  
Loudspeaker: 93dB (PSNR), 98dB (DR)  
Headphone: 87dB (PSNR), 91dB (DR)
- Multiple sampling frequencies (Fs)  
32kHz / 44.1kHz / 48kHz and  
64kHz / 88.2kHz / 96kHz
- System clock = 64x,128x,192x,256x,384x,  
512x, 576x, 768x, 1024x Fs  
64x~1024x Fs for 32kHz / 44.1kHz / 48kHz  
64x~512x Fs for 64kHz / 88.2kHz / 96kHz
- Supply voltage  
3.0~12V for loudspeaker driver  
3.0~3.3V for others
- Loudspeaker output power ( @10% THD+N)  
2x8.7W(Full,8Ω)+16.7W(Full, 4Ω) for 2.1-channel  
2x4.3W(Half,4Ω)+16.7W(Full, 4Ω) for 2.1-channel  
2x8.7W(Full,8Ω) for stereo  
2x4.3W(Half,4Ω) for stereo  
2x16.7W(Full, 4Ω) for stereo
- Headphone power  
34mW into 32Ω@1kHz and 1% THD+N  
65mW into 16Ω@1kHz and 1% THD+N  
110mW into 8Ω@1kHz and 1% THD+N  
200mW into 4Ω@1kHz and 1% THD+N
- Sound processing including :  
Bass (+18dB~-12dB, 3dB frequency is 250Hz),  
Treble (+18dB~-12dB, 3dB frequency is 7kHz),  
5 bands parametric EQ,  
Volume control (+24dB~-103dB, 1dB/step) and

- Dynamic range control
- Anti-pop design
- Over-temperature protection
- Under-voltage shutdown
- Short-circuit protection
- I<sup>2</sup>C control interface

### Applications

- CD and DVD
- TV audio
- Car audio
- Boom-box
- MP3 docking systems
- Portable / Handheld
- Powered speaker
- Wireless audio
- USB speaker

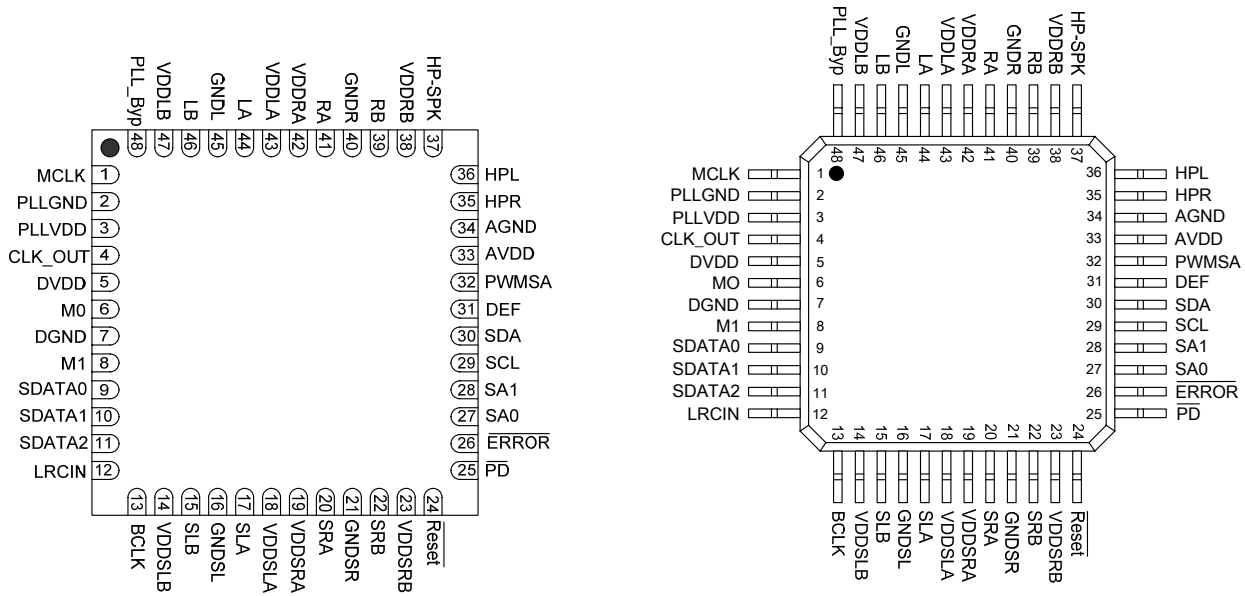
### Description

This is a 2.1-channel fully digital audio amplifier with output power which can deliver up to 2x8.7W to 8Ω load for L,R channel and 16.7W to 4Ω load for sub-woofer channel simultaneously with 12V supply voltage. Using I<sup>2</sup>C digital control interface, AD8356A provides sound processing includes Volume, Bass, Treble, EQ, Mixing and Dynamic Range Control (DRC). Users can use one AD8356A for stereo or 2.1-channel, two for 5.1-channel and three for 7.1-channel, respectively.

### ORDERING INFORMATION

Product Number	Package	Comments
AD8356A-KG	7x7 48L QFN	Pb-free
AD8356A-LEG	7x7 48L E-LQFP	Pb-free

**Pin Assignment**



**Pin Description**

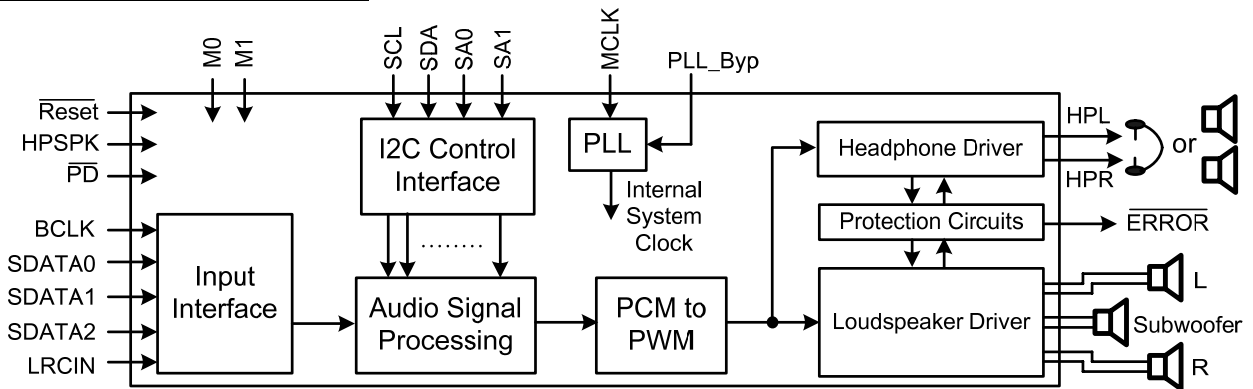
PIN	NAME	TYPE	DESCRIPTION	CHARACTERISTICS
1	MCLK	I	Master clock input	Schmitt trigger TTL input buffer
2	PLLGND	P	Ground for PLL	
3	PLLVDD	P	Supply for PLL	(Note1)
4	CLK_OUT	O	PLL output	TTL output buffer
5	DVDD	P	Digital Power	(Note1)
6	M0	I	Mode selection 0	Schmitt trigger TTL input buffer
7	DGND	P	Digital Ground	
8	M1	I	Mode selection 1	Schmitt trigger TTL input buffer
9	SDATA0	I	Serial audio data input 0	Schmitt trigger TTL input buffer
10	SDATA1	I	Serial audio data input 1	Schmitt trigger TTL input buffer
11	SDATA2	I	Serial audio data input 2	Schmitt trigger TTL input buffer
12	LRCIN	I	Left/Right clock input (Fs)	Schmitt trigger TTL input buffer
13	BCLK	I	Bit clock input (64Fs)	Schmitt trigger TTL input buffer
14	VDDSLB	P	Supply for subwoofer-left channel B	(Note2)
15	SLB	O	Subwoofer-left channel output (-)	
16	GNDSL	P	Ground for subwoofer-left channel	
17	SLA	O	Subwoofer-left channel output (+)	
18	VDDSLA	P	Supply for subwoofer-left channel A	(Note2)
19	VDDSRRA	P	Supply for subwoofer-right channel A	(Note2)

20	SRA	O	Subwoofer-right channel output (+)	
21	GNDSR	P	Ground for subwoofer-right channel	
22	SRB	O	Subwoofer-right channel output (-)	
23	VDDSRB	P	Supply for subwoofer-right channel B	(Note2)
24	$\overline{\text{Reset}}$	I	Reset, low active	Schmitt trigger TTL input buffer
25	$\overline{\text{PD}}$	I	Power down, low active	Schmitt trigger TTL input buffer
26	$\overline{\text{ERROR}}$	O	ERROR output	Open-drain output
27	SA0	I	I <sup>2</sup> C select address 0	Schmitt trigger TTL input buffer
28	SA1	I	I <sup>2</sup> C select address 1	Schmitt trigger TTL input buffer
29	SCL	I	I <sup>2</sup> C serial clock input	Schmitt trigger TTL input buffer
30	SDA	I	I <sup>2</sup> C serial data input	Schmitt trigger TTL input buffer with open-drain output
31	DEF	I	Default volume, 0=Mute, 1=Un-Mute	Schmitt trigger TTL input buffer
32	PWMSA	O	Half-bridge, sub-woofer channel output	TTL output buffer
33	AVDD	P	Analog supply	(Note1)
34	AGND	P	Analog ground	
35	HPR	O	Headphone right channel output	
36	HPL	O	Headphone left channel output	
37	HP-SPK	I	Headphone detection	
38	VDDR	P	Supply for right channel B	(Note2)
39	RB	O	Right channel output (-)	
40	GNDR	P	Ground for Right channel	
41	RA	O	Right channel output (+)	
42	VDDRA	P	Supply for right channel A	(Note2)
43	VDDL	P	Supply for left channel A	(Note2)
44	LA	O	Left channel output (+)	
45	GNDL	P	Ground for left channel	
46	LB	O	Left channel output (-)	
47	VDDL	P	Supply for left channel B	(Note2)
48	PLL_Byp	I	PLL Bypass	Schmitt trigger TTL input buffer

Note1 : These pins provide the supply for digital PWM controller, headphone drivers, built-in PLL and protection circuits except for loudspeaker short-circuit protection circuits.

Note2 : These pins provide the supply for loudspeaker driver stages, which are known as "PVDD".

**Functional Block Diagram**



**Available Package**

Package Type	Device No.	$\theta_{ja} (^{\circ}C/W)$	$\Psi_{jt} (^{\circ}C/W)$	$\theta_{jc} (^{\circ}C/W)$	Exposed Thermal Pad
7x7 48L QFN	AD8356A	23.5	1.6	12.5	Yes (Note3)
7x7 48L E-LQFP		23.8	1.8	15.8	

Note3 : The thermal pad is at the bottom of package. To optimize the performance of thermal dissipation, solder the thermal pad to PCB's ground plane is suggested.