

## FEATURES

- Low phase noise, phase-locked loop (PLL)**
- On-chip VCO tunes from 2.55 GHz to 2.95 GHz**
- External VCO/VCXO to 2.4 GHz optional**
- 1 differential or 2 single-ended reference inputs**
- Reference monitoring capability**
- Automatic revertive and manual reference switchover/holdover modes**
- Accepts LVPECL, LVDS, or CMOS references to 250 MHz**
- Programmable delays in path to PFD**
- Digital or analog lock detect, selectable**
- 3 pairs of 1.6 GHz LVPECL outputs**
- Each output pair shares a 1-to-32 divider with coarse phase delay**
- Additive output jitter: 225 fs rms**
- Channel-to-channel skew paired outputs of <10 ps**
- Automatic synchronization of all outputs on power-up**
- Manual output synchronization available**
- Available in a 48-lead LFCSP**

## APPLICATIONS

- Low jitter, low phase noise clock distribution**
- 10/40/100 Gb/sec networking line cards, including SONET, Synchronous Ethernet, OTU2/3/4**
- Forward error correction (G.710)**
- Clocking high speed ADCs, DACs, DDSs, DDCs, DUCs, MxFEs**
- High performance wireless transceivers**
- ATE and high performance instrumentation**

## GENERAL DESCRIPTION

The [AD9518-0](#)<sup>1</sup> provides a multi-output clock distribution function with subpicosecond jitter performance, along with an on-chip PLL and VCO. The on-chip VCO tunes from 2.55 GHz to 2.95 GHz. Optionally, an external VCO/VCXO of up to 2.4 GHz can be used.

The [AD9518-0](#) emphasizes low jitter and phase noise to maximize data converter performance, and it can benefit other applications with demanding phase noise and jitter requirements.

The [AD9518-0](#) features six LVPECL outputs (in three pairs). The LVPECL outputs operate to 1.6 GHz.

For applications that require additional outputs, a crystal reference input, zero-delay, or EEPROM for automatic configuration at startup, the [AD9520](#) and [AD9522](#) are available.

## FUNCTIONAL BLOCK DIAGRAM

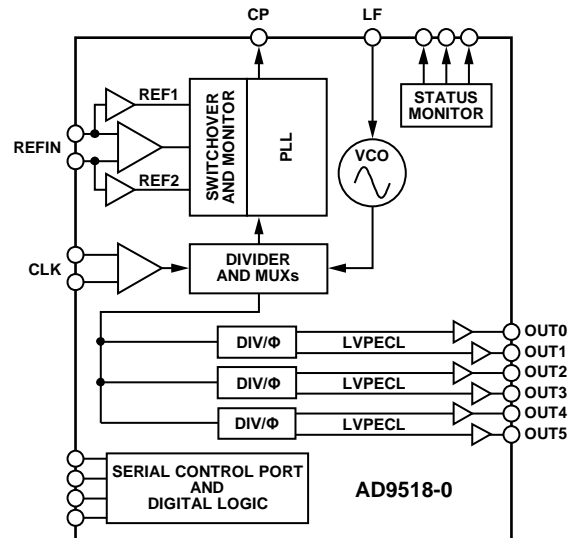


Figure 1.

In addition, the [AD9516](#) and [AD9517](#) are similar to the [AD9518](#) but have a different combination of outputs.

Each pair of outputs has dividers that allow both the divide ratio and coarse delay (or phase) to be set. The range of division for the LVPECL outputs is 1 to 32.

The [AD9518-0](#) is available in a 48-lead LFCSP and can be operated from a single 3.3 V supply. An external VCO, which requires an extended voltage range, can be accommodated by connecting the charge pump supply (VCP) to 5 V. A separate LVPECL power supply can be from 2.5 V to 3.3 V (nominal).

The [AD9518-0](#) is specified for operation over the industrial range of  $-40^{\circ}\text{C}$  to  $+85^{\circ}\text{C}$ .

<sup>1</sup> [AD9518](#) is used throughout the data sheet to refer to all the members of the [AD9518](#) family. However, when [AD9518-0](#) is used, it refers to that specific member of the [AD9518](#) family.

### Rev. C

Information furnished by Analog Devices is believed to be accurate and reliable. However, no responsibility is assumed by Analog Devices for its use, nor for any infringements of patents or other rights of third parties that may result from its use. Specifications subject to change without notice. No license is granted by implication or otherwise under any patent or patent rights of Analog Devices. Trademarks and registered trademarks are the property of their respective owners.

# AD9518-0\* PRODUCT PAGE QUICK LINKS

Last Content Update: 02/23/2017

---

## COMPARABLE PARTS

View a parametric search of comparable parts.

## EVALUATION KITS

- AD9518-0 Evaluation Board

## DOCUMENTATION

### Application Notes

- AN-0974: Multicarrier TD-SCMA Feasibility
- AN-501: Aperture Uncertainty and ADC System Performance
- AN-741: Little Known Characteristics of Phase Noise
- AN-756: Sampled Systems and the Effects of Clock Phase Noise and Jitter
- AN-769: Generating Multiple Clock Outputs from the AD9540
- AN-823: Direct Digital Synthesizers in Clocking Applications Time
- AN-835: Understanding High Speed ADC Testing and Evaluation
- AN-837: DDS-Based Clock Jitter Performance vs. DAC Reconstruction Filter Performance
- AN-873: Lock Detect on the ADF4xxx Family of PLL Synthesizers
- AN-927: Determining if a Spur is Related to the DDS/DAC or to Some Other Source (For Example, Switching Supplies)
- AN-939: Super-Nyquist Operation of the AD9912 Yields a High RF Output Signal

### Data Sheet

- AD9518-0: 6-Output Clock Generator with Integrated 2.8 GHz VCO Data Sheet

### User Guides

- UG-075: AD9516-x, AD9517-x, and AD9518-x Evaluation Board User Guide

## TOOLS AND SIMULATIONS

- ADIsimCLK Design and Evaluation Software
- AD9587-x IBIS Models

## REFERENCE MATERIALS

### Product Selection Guide

- RF Source Booklet

### Technical Articles

- ADI Buys Korean Mobile TV Chip Maker
- Design A Clock-Distribution Strategy With Confidence
- Improved DDS Devices Enable Advanced Comm Systems
- Low-power direct digital synthesizer cores enable high level of integration
- Speedy A/Ds Demand Stable Clocks
- Understand the Effects of Clock Jitter and Phase Noise on Sampled Systems

## DESIGN RESOURCES

- AD9518-0 Material Declaration
- PCN-PDN Information
- Quality And Reliability
- Symbols and Footprints

## DISCUSSIONS

View all AD9518-0 EngineerZone Discussions.

## SAMPLE AND BUY

Visit the product page to see pricing options.

## TECHNICAL SUPPORT

Submit a technical question or find your regional support number.

## DOCUMENT FEEDBACK

Submit feedback for this data sheet.

---

## TABLE OF CONTENTS

|  |    |   |    |
|--|----|---|----|
| Features .....   | 1  | Thermal Resistance .....                                  | 13 |
| Applications .....   | 1  | ESD Caution .....   | 13 |
| General Description .....  | 1  | Pin Configuration and Function Descriptions .....         | 14 |
| Functional Block Diagram .....   | 1  | Typical Performance Characteristics .....                 | 16 |
| Revision History .....   | 3  | Terminology .....   | 20 |
| Specifications .....   | 4  | Detailed Block Diagram .....                              | 21 |
| Power Supply Requirements .....  | 4  | Theory of Operation .....                                 | 22 |
| PLL Characteristics .....  | 4  | Operational Configurations .....                          | 22 |
| Clock Inputs .....   | 6  | Digital Lock Detect (DLD) .....                           | 30 |
| Clock Outputs .....  | 6  | Clock Distribution .....                                  | 34 |
| Timing Characteristics .....   | 6  | Reset Modes .....   | 38 |
| Clock Output Additive Phase Noise (Distribution Only;<br>VCO Divider Not Used) ..... | 7  | Power-Down Modes .....                                    | 38 |
| Clock Output Absolute Phase Noise (Internal VCO Used) .....                          | 7  | Serial Control Port .....                                 | 40 |
| Clock Output Absolute Time Jitter (Clock Generation<br>Using Internal VCO) .....     | 8  | Serial Control Port Pin Descriptions .....                | 40 |
| Clock Output Absolute Time Jitter (Clock Cleanup Using<br>Internal VCO) .....        | 8  | General Operation of Serial Control Port .....            | 40 |
| Clock Output Absolute Time Jitter (Clock Generation<br>Using External VCXO) .....    | 8  | The Instruction Word (16 Bits) .....                      | 41 |
| Clock Output Additive Time Jitter (VCO Divider<br>Not Used) .....                    | 9  | MSB/LSB First Transfers .....                             | 41 |
| Clock Output Additive Time Jitter (VCO Divider Used) .....                           | 9  | Thermal Performance .....                                 | 44 |
| Serial Control Port .....  | 10 | Control Registers .....                                   | 45 |
| PD, SYNC, and RESET Pins .....   | 10 | Control Register Map Overview .....                       | 45 |
| LD, STATUS, and REFMON Pins .....  | 11 | Control Register Map Descriptions .....                   | 47 |
| Power Dissipation .....  | 11 | Applications Information .....                            | 59 |
| Timing Diagrams .....  | 12 | Frequency Planning Using the AD9518 .....                 | 59 |
| Absolute Maximum Ratings .....   | 13 | Using the AD9518 Outputs for ADC Clock Applications ..... | 59 |
|  |    | LVPECL Clock Distribution .....                           | 60 |
|  |    | Outline Dimensions .....                                  | 61 |
|  |    | Ordering Guide .....                                      | 61 |

**REVISION HISTORY****1/12—Rev. B to Rev. C**

Change to 0x232 Description, Table 49.....58

**9/11—Rev. A to Rev. B**

Changes to Applications and General Description Sections..... 1

Change to CPRSET Pin Resistor Parameter, Table 1..... 4

Changes to Table 2 ..... 4

Change to Test Conditions/Comments Column of Output

Differential Voltage ( $V_{OD}$ ) Parameter, Table 4..... 5

Change to Logic 1 Current and Logic 0 Current Parameters,

Table 14..... 10

Change to Test Conditions/Comments Column of LVPECL

Channel (Divider Plus Output Driver) Parameter, Table 16..... 11

Changes to Table 19 ..... 14

Changes to Captions, Figure 11 and Figure 16..... 17

Added Figure 26, Renumbered Sequentially..... 19

Change to PLL External Loop Filter Section..... 27

Changes to Reference Switchover and Prescaler Sections ..... 28

Changes to Comments/Conditions Column, Table 27 ..... 29

Changes to Automatic/Internal Holdover Mode and

Frequency Status Monitors Sections..... 32

Changes to VCO Calibration Section..... 33

Changes to Clock Distribution Section..... 34

Change to Write Section..... 40

Change to Figure 47 ..... 42

Changes to Table 41 ..... 44

Changes to Register Address 0x01C, Table 42 ..... 45

Changes to Register Address 0x017, Bits[1:0] and

Register Address 0x018, Bits[2:0], Table 44..... 50

Changes to Register Address 0x01C, Bits[5:1], Table 44..... 53

Change to Bit 5, Register Address 0x191, Register

Address 0x194, and Register Address 0x197, Table 46..... 56

Changes to LVPECL Clock Distribution Section ..... 60

Updated Outline Dimensions and Changes to

Ordering Guide ..... 61

**1/10—Rev. 0 to Rev. A**

Added 48-Lead LFCSP Package (CP-48-8) ..... Universal

Changes to Features, Applications, and General Description..... 1

Change to CPRSET Pin Resistor Parameter..... 4

Changes to  $V_{CP}$  Supply Parameter..... 11

Changes to Table 18 ..... 13

Added Exposed Paddle Notation to Figure 4;

Changes to Table 19 ..... 14

Change to High Frequency Clock Distribution—CLK or

External VCO &gt; 1600 MHz Section; Change to Table 21..... 22

Changes to Table 23 ..... 24

Change to Configuration and Register Settings Section ..... 25

Change to Phase Frequency Detector (PFD) Section ..... 26

Changes to Charge Pump (CP), On-Chip VCO, PLL

External Loop Filter, and PLL Reference Inputs Sections ..... 27

Change to Figure 31; Added Figure 32..... 27

Changes to Reference Switchover and Prescaler Sections ..... 28

Changes to A and B Counters Section and Table 27 ..... 29

Change to Holdover Section..... 31

Changes to VCO Calibration Section..... 33

Changes to Clock Distribution Section..... 34

Change to Table 32; Change to Channel Frequency

Division (0, 1, and 2) Section ..... 35

Change to Write Section ..... 40

Change to Figure 46 ..... 42

Added Thermal Performance Section; Added Table 41 ..... 44

Changes to 0x003 Register Address..... 45

Changes to Table 43 ..... 47

Changes to Table 44 ..... 48

Changes to Table 45 ..... 55

Changes to Table 46 ..... 57

Changes to Table 47 ..... 58

Changes to Table 48 ..... 59

Added Frequency Planning Using the AD9518 Section..... 60

Changes to LVDS Clock Distribution Section ..... 61

Changes to Figure 52 and Figure 54; Added Figure 53..... 61

Added Exposed Paddle Notation to Outline Dimensions;

Changes to Ordering Guide..... 62

**8/07—Revision 0: Initial Version**

## SPECIFICATIONS

Typical values are given for  $V_S = V_{S\_LVPECL} = 3.3 \text{ V} \pm 5\%$ ;  $V_S \leq V_{CP} \leq 5.25 \text{ V}$ ;  $T_A = 25^\circ\text{C}$ ;  $R_{SET} = 4.12 \text{ k}\Omega$ ;  $CP_{RSET} = 5.1 \text{ k}\Omega$ , unless otherwise noted. Minimum and maximum values are given over full  $V_S$  and  $T_A$  ( $-40^\circ\text{C}$  to  $+85^\circ\text{C}$ ) variation.

### POWER SUPPLY REQUIREMENTS

Table 1.

| Parameter            | Min   | Typ  | Max   | Unit       | Test Conditions/Comments  |
|----------------------|-------|------|-------|------------|---|
| $V_S$                | 3.135 | 3.3  | 3.465 | V          | $3.3 \text{ V} \pm 5\%$   |
| $V_{S\_LVPECL}$      | 2.375 |      | $V_S$ | V          | Nominally 2.5 V to $3.3 \text{ V} \pm 5\%$  |
| $V_{CP}$             | $V_S$ |      | 5.25  | V          | Nominally 3.3 V to $5.0 \text{ V} \pm 5\%$  |
| RSET Pin Resistor    |       | 4.12 |       | k $\Omega$ | Sets internal biasing currents; connect to ground   |
| CPRSET Pin Resistor  | 2.7   | 5.1  | 10    | k $\Omega$ | Sets internal CP current range, nominally 4.8 mA ( $CP\_I_{sb} = 600 \mu\text{A}$ ); actual current can be calculated by $CP\_I_{sb} = 3.06/CPRSET$ ; connect to ground |
| BYPASS Pin Capacitor |       | 220  |       | nF         | Bypass for internal LDO regulator; necessary for LDO stability; connect to ground   |

### PLL CHARACTERISTICS

Table 2.

| Parameter  | Min  | Typ  | Max            | Unit          | Test Conditions/Comments  |
|--|------|------|----------------|---------------|---|
| VCO (ON-CHIP)  |      |      |                |               |   |
| Frequency Range  | 2550 |      | 2950           | MHz           | See Figure 11   |
| VCO Gain ( $K_{VCO}$ )   |      | 50   |                | MHz/V         | See Figure 6  |
| Tuning Voltage ( $V_T$ )   | 0.5  |      | $V_{CP} - 0.5$ | V             | $V_{CP} \leq V_S$ when using internal VCO; outside of this range, the CP spurs may increase due to CP up/down mismatch  |
| Frequency Pushing (Open Loop)                                    |      | 1    |                | MHz/V         |   |
| Phase Noise at 100 kHz Offset                                    |      | -105 |                | dBc/Hz        | $f = 2800 \text{ MHz}$  |
| Phase Noise at 1 MHz Offset                                      |      | -123 |                | dBc/Hz        | $f = 2800 \text{ MHz}$  |
| REFERENCE INPUTS   |      |      |                |               |   |
| Differential Mode ( $\overline{REFIN}$ , $\overline{REFIN}$ )    |      |      |                |               |   |
| Input Frequency  | 0    |      | 250            | MHz           | Differential mode (can accommodate single-ended input by ac grounding undriven input)<br>Frequencies below about 1 MHz should be dc-coupled; be careful to match $V_{CM}$ (self-bias voltage) |
| Input Sensitivity  |      | 250  |                | mV p-p        | PLL figure of merit (FOM) increases with increasing slew rate (see Figure 10); the input sensitivity is sufficient for ac-coupled LVPECL and LVDS signals                                     |
| Self-Bias Voltage, $\overline{REFIN}$                            | 1.35 | 1.60 | 1.75           | V             | Self-bias voltage of $\overline{REFIN}$ <sup>1</sup>  |
| Self-Bias Voltage, $\overline{REFIN}$                            | 1.30 | 1.50 | 1.60           | V             | Self-bias voltage of $\overline{REFIN}$ <sup>1</sup>  |
| Input Resistance, $\overline{REFIN}$                             | 4.0  | 4.8  | 5.9            | k $\Omega$    | Self-biased <sup>1</sup>  |
| Input Resistance, $\overline{REFIN}$                             | 4.4  | 5.3  | 6.4            | k $\Omega$    | Self-biased <sup>1</sup>  |
| Dual Single-Ended Mode ( $\overline{REF1}$ , $\overline{REF2}$ ) |      |      |                |               |   |
| Input Frequency (AC-Coupled)                                     | 20   |      | 250            | MHz           | Two single-ended CMOS-compatible inputs<br>Slew rate $> 50 \text{ V}/\mu\text{s}$   |
| Input Frequency (DC-Coupled)                                     | 0    |      | 250            | MHz           | Slew rate $> 50 \text{ V}/\mu\text{s}$ ; CMOS levels  |
| Input Sensitivity (AC-Coupled)                                   |      | 0.8  |                | V p-p         | Should not exceed $V_S$ p-p   |
| Input Logic High   | 2.0  |      |                | V             |   |
| Input Logic Low  |      |      | 0.8            | V             |   |
| Input Current  | -100 |      | +100           | $\mu\text{A}$ |   |
| Pulse Width High/Low   | 1.8  |      |                | ns            | This value determines the allowable input duty cycle and is the amount of time that a square wave is high/low   |
| Input Capacitance  |      | 2    |                | pF            | Each pin, $\overline{REFIN}/\overline{REFIN}$ ( $\overline{REF1}/\overline{REF2}$ )   |
| PHASE/FREQUENCY DETECTOR (PFD)                                   |      |      |                |               |   |
| PFD Input Frequency  |      |      | 100            | MHz           | Antibacklash pulse width = 1.3 ns, 2.9 ns   |
|  |      |      | 45             | MHz           | Antibacklash pulse width = 6.0 ns   |
| Antibacklash Pulse Width   |      | 1.3  |                | ns            | Register 0x017[1:0] = 01b   |
|  |      | 2.9  |                | ns            | Register 0x017[1:0] = 00b; Register 0x017[1:0] = 11b  |
|  |      | 6.0  |                | ns            | Register 0x017[1:0] = 10b   |

| Parameter  | Min | Typ    | Max  | Unit   | Test Conditions/Comments   |
|--|-----|--------|------|--------|--|
| CHARGE PUMP (CP)   |     |        |      |        | CP <sub>V</sub> is CP pin voltage; V <sub>CP</sub> is charge pump power supply voltage   |
| I <sub>CP</sub> Sink/Source  |     |        |      |        | Programmable   |
| High Value   |     | 4.8    |      | mA     | With CP <sub>RSET</sub> = 5.1 kΩ   |
| Low Value  |     | 0.60   |      | mA     |  |
| Absolute Accuracy  |     | 2.5    |      | %      | CP <sub>V</sub> = V <sub>CP</sub> /2 V   |
| CP <sub>RSET</sub> Range   |     | 2.7/10 |      | kΩ     |  |
| I <sub>CP</sub> High Impedance Mode Leakage  |     | 1      |      | nA     |  |
| Sink-and-Source Current Matching   |     | 2      |      | %      | 0.5 < CP <sub>V</sub> < V <sub>CP</sub> – 0.5 V  |
| I <sub>CP</sub> vs. CP <sub>V</sub>  |     | 1.5    |      | %      | 0.5 < CP <sub>V</sub> < V <sub>CP</sub> – 0.5 V  |
| I <sub>CP</sub> vs. Temperature  |     | 2      |      | %      | CP <sub>V</sub> = V <sub>CP</sub> /2 V   |
| PRESCALER (PART OF N DIVIDER)  |     |        |      |        | See the VCXO/VCO Feedback Divider N—P, A, B, R section   |
| Prescaler Input Frequency  |     |        |      |        |  |
| P = 1 FD   |     |        | 300  | MHz    |  |
| P = 2 FD   |     |        | 600  | MHz    |  |
| P = 3 FD   |     |        | 900  | MHz    |  |
| P = 2 DM (2/3)   |     |        | 200  | MHz    |  |
| P = 4 DM (4/5)   |     |        | 1000 | MHz    |  |
| P = 8 DM (8/9)   |     |        | 2400 | MHz    |  |
| P = 16 DM (16/17)  |     |        | 3000 | MHz    |  |
| P = 32 DM (32/33)  |     |        | 3000 | MHz    |  |
| Prescaler Output Frequency   |     |        | 300  | MHz    | A, B counter input frequency (prescaler input frequency divided by P)  |
| PLL DIVIDER DELAYS   |     |        |      |        | Register 0x019: R, Bits[5:3]; N, Bits[2:0] (see Table 44)  |
| 000  |     | Off    |      | ps     |  |
| 001  |     | 330    |      | ps     |  |
| 010  |     | 440    |      | ps     |  |
| 011  |     | 550    |      | ps     |  |
| 100  |     | 660    |      | ps     |  |
| 101  |     | 770    |      | ps     |  |
| 110  |     | 880    |      | ps     |  |
| 111  |     | 990    |      | ps     |  |
| NOISE CHARACTERISTICS  |     |        |      |        |  |
| In-Band Phase Noise of the Charge Pump/Phase Frequency Detector (In Band Is Within the LBW of the PLL) |     |        |      |        | The PLL in-band phase noise floor is estimated by measuring the in-band phase noise at the output of the VCO and subtracting 20 log(N) (where N is the value of the N divider)   |
| At 500 kHz PFD Frequency   |     | –165   |      | dBc/Hz |  |
| At 1 MHz PFD Frequency   |     | –162   |      | dBc/Hz |  |
| At 10 MHz PFD Frequency  |     | –151   |      | dBc/Hz |  |
| At 50 MHz PFD Frequency  |     | –143   |      | dBc/Hz |  |
| PLL Figure of Merit (FOM)  |     | –220   |      | dBc/Hz | Reference slew rate > 0.25 V/ns; FOM + 10 log(f <sub>PFD</sub> ) is an approximation of the PFD/CP in-band phase noise (in the flat region) inside the PLL loop bandwidth; when running closed-loop, the phase noise, as observed at the VCO output, is increased by 20 log(N) |
| PLL DIGITAL LOCK DETECT WINDOW <sup>2</sup>  |     |        |      |        | Signal available at LD, STATUS, and REFMON pins when selected by appropriate register settings   |
| Required to Lock (Coincidence of Edges)  |     |        |      |        | Selected by Register 0x017[1:0] and Register 0x018[4]  |
| Low Range (ABP 1.3 ns, 2.9 ns)   |     | 3.5    |      | ns     | Register 0x017[1:0] = 00b, 01b, 11b; Register 0x018[4] = 1b  |
| High Range (ABP 1.3 ns, 2.9 ns)  |     | 7.5    |      | ns     | Register 0x017[1:0] = 00b, 01b, 11b; Register 0x018[4] = 0b  |
| High Range (ABP 6.0 ns)  |     | 3.5    |      | ns     | Register 0x017[1:0] = 10b; Register 0x018[4] = 0b  |
| To Unlock After Lock (Hysteresis) <sup>2</sup>   |     |        |      |        |  |
| Low Range (ABP 1.3 ns, 2.9 ns)   |     | 7      |      | ns     | Register 0x017[1:0] = 00b, 01b, 11b; Register 0x018[4] = 1b  |
| High Range (ABP 1.3 ns, 2.9 ns)  |     | 15     |      | ns     | Register 0x017[1:0] = 00b, 01b, 11b; Register 0x018[4] = 0b  |
| High Range (ABP 6.0 ns)  |     | 11     |      | ns     | Register 0x017[1:0] = 10b; Register 0x018[4] = 0b  |

<sup>1</sup> REF<sub>IN</sub> and  $\overline{\text{REFIN}}$  self-bias points are offset slightly to avoid chatter on an open input condition.

<sup>2</sup> For reliable operation of the digital lock detect, the period of the PFD frequency must be greater than the unlock-after-lock time.

## CLOCK INPUTS

Table 3.

| Parameter                                    | Min            | Typ  | Max | Unit       | Test Conditions/Comments   |
|--|----------------|------|-----|------------|--|
| CLOCK INPUTS (CLK, $\overline{\text{CLK}}$ ) |                |      |     |            | Differential input   |
| Input Frequency                              | 0 <sup>1</sup> |      | 2.4 | GHz        | High frequency distribution (VCO divider)  |
|  | 0 <sup>1</sup> |      | 1.6 | GHz        | Distribution only (VCO divider bypassed)   |
| Input Sensitivity, Differential              |                | 150  |     | mV p-p     | Measured at 2.4 GHz; jitter performance is improved with slew rates > 1 V/ns               |
| Input Level, Differential                    |                |      | 2   | V p-p      | Larger voltage swings may turn on the protection diodes and may degrade jitter performance |
| Input Common-Mode Voltage, $V_{\text{CM}}$   | 1.3            | 1.57 | 1.8 | V          | Self-biased; enables ac coupling   |
| Input Common-Mode Range, $V_{\text{CMR}}$    | 1.3            |      | 1.8 | V          | With 200 mV p-p signal applied; dc-coupled   |
| Input Sensitivity, Single-Ended              |                | 150  |     | mV p-p     | CLK ac-coupled; $\overline{\text{CLK}}$ ac-bypassed to RF ground                           |
| Input Resistance                             | 3.9            | 4.7  | 5.7 | k $\Omega$ | Self-biased  |
| Input Capacitance                            |                | 2    |     | pF         |  |

<sup>1</sup> Below about 1 MHz, the input should be dc-coupled. Care should be taken to match  $V_{\text{CM}}$ .

## CLOCK OUTPUTS

Table 4.

| Parameter                                       | Min                           | Typ                           | Max                           | Unit | Test Conditions/Comments   |
|---|-------------------------------|-------------------------------|-------------------------------|------|--|
| LVPECL CLOCK OUTPUTS                            |                               |                               |                               |      | Termination = 50 $\Omega$ to $V_{\text{S}} - 2 \text{ V}$  |
| OUT0, OUT1, OUT2, OUT3, OUT4, OUT5              |                               |                               |                               |      | Differential ( $\text{OUT}$ , $\overline{\text{OUT}}$ )  |
| Output Frequency, Maximum                       | 2950                          |                               |                               | MHz  | Using direct to output; see Figure 16 for peak-to-peak differential amplitude  |
| Output High Voltage ( $V_{\text{OH}}$ )         | $V_{\text{S, LVPECL}} - 1.12$ | $V_{\text{S, LVPECL}} - 0.98$ | $V_{\text{S, LVPECL}} - 0.84$ | V    |  |
| Output Low Voltage ( $V_{\text{OL}}$ )          | $V_{\text{S, LVPECL}} - 2.03$ | $V_{\text{S, LVPECL}} - 1.77$ | $V_{\text{S, LVPECL}} - 1.49$ | V    |  |
| Output Differential Voltage ( $V_{\text{OD}}$ ) | 550                           | 790                           | 980                           | mV   | This is $V_{\text{OH}} - V_{\text{OL}}$ for each leg of a differential pair for default amplitude setting with driver not toggling; the peak-to-peak amplitude measured using a differential probe across the differential pair with the driver toggling is roughly 2 $\times$ these values (see Figure 16 for variation over frequency) |

## TIMING CHARACTERISTICS

Table 5.

| Parameter   | Min | Typ | Max  | Unit                   | Test Conditions/Comments   |
|---|-----|-----|------|------------------------|--|
| LVPECL  |     |     |      |                        | Termination = 50 $\Omega$ to $V_{\text{S}} - 2 \text{ V}$ ; level = 810 mV |
| Output Rise Time, $t_{\text{RP}}$                           |     | 70  | 180  | ps                     | 20% to 80%, measured differentially  |
| Output Fall Time, $t_{\text{FP}}$                           |     | 70  | 180  | ps                     | 80% to 20%, measured differentially  |
| PROPAGATION DELAY, $t_{\text{PECL}}$ , CLK-TO-LVPECL OUTPUT |     |     |      |                        |  |
| High Frequency Clock Distribution Configuration             | 835 | 995 | 1180 | ps                     | See Figure 28  |
| Clock Distribution Configuration Variation with Temperature | 773 | 933 | 1090 | ps                     | See Figure 30  |
|   |     | 0.8 |      | ps/ $^{\circ}\text{C}$ |  |
| OUTPUT SKEW, LVPECL OUTPUTS <sup>1</sup>                    |     |     |      |                        |  |
| LVPECL Outputs That Share the Same Divider                  |     | 5   | 15   | ps                     |  |
| LVPECL Outputs on Different Dividers                        |     | 13  | 40   | ps                     |  |
| All LVPECL Outputs Across Multiple Parts                    |     |     | 220  | ps                     |  |

<sup>1</sup> This is the difference between any two similar delay paths while operating at the same voltage and temperature.

**CLOCK OUTPUT ADDITIVE PHASE NOISE (DISTRIBUTION ONLY; VCO DIVIDER NOT USED)**

Table 6.

| Parameter                          | Min | Typ  | Max | Unit   | Test Conditions/Comments                                |
|------------------------------------|-----|------|-----|--------|---|
| CLK-TO-LVPECL ADDITIVE PHASE NOISE |     |      |     |        | Distribution section only; does not include PLL and VCO |
| CLK = 1 GHz, Output = 1 GHz        |     |      |     |        | Input slew rate > 1 V/ns                                |
| Divider = 1                        |     |      |     |        |   |
| At 10 Hz Offset                    |     | -109 |     | dBc/Hz |   |
| At 100 Hz Offset                   |     | -118 |     | dBc/Hz |   |
| At 1 kHz Offset                    |     | -130 |     | dBc/Hz |   |
| At 10 kHz Offset                   |     | -139 |     | dBc/Hz |   |
| At 100 kHz Offset                  |     | -144 |     | dBc/Hz |   |
| At 1 MHz Offset                    |     | -146 |     | dBc/Hz |   |
| At 10 MHz Offset                   |     | -147 |     | dBc/Hz |   |
| At 100 MHz Offset                  |     | -149 |     | dBc/Hz |   |
| CLK = 1 GHz, Output = 200 MHz      |     |      |     |        | Input slew rate > 1 V/ns                                |
| Divider = 5                        |     |      |     |        |   |
| At 10 Hz Offset                    |     | -120 |     | dBc/Hz |   |
| At 100 Hz Offset                   |     | -126 |     | dBc/Hz |   |
| At 1 kHz Offset                    |     | -139 |     | dBc/Hz |   |
| At 10 kHz Offset                   |     | -150 |     | dBc/Hz |   |
| At 100 kHz Offset                  |     | -155 |     | dBc/Hz |   |
| At 1 MHz Offset                    |     | -157 |     | dBc/Hz |   |
| >10 MHz Offset                     |     | -157 |     | dBc/Hz |   |

**CLOCK OUTPUT ABSOLUTE PHASE NOISE (INTERNAL VCO USED)**

Table 7.

| Parameter                         | Min | Typ  | Max | Unit   | Test Conditions/Comments              |
|-----------------------------------|-----|------|-----|--------|---------------------------------------|
| LVPECL ABSOLUTE PHASE NOISE       |     |      |     |        | Internal VCO; direct to LVPECL output |
| VCO = 2.95 GHz; Output = 2.95 GHz |     |      |     |        |                                       |
| At 1 kHz Offset                   |     | -47  |     | dBc/Hz |                                       |
| At 10 kHz Offset                  |     | -78  |     | dBc/Hz |                                       |
| At 100 kHz Offset                 |     | -104 |     | dBc/Hz |                                       |
| At 1 MHz Offset                   |     | -122 |     | dBc/Hz |                                       |
| At 10 MHz Offset                  |     | -140 |     | dBc/Hz |                                       |
| At 40 MHz Offset                  |     | -146 |     | dBc/Hz |                                       |
| VCO = 2.75 GHz; Output = 2.75 GHz |     |      |     |        |                                       |
| At 1 kHz Offset                   |     | -49  |     | dBc/Hz |                                       |
| At 10 kHz Offset                  |     | -79  |     | dBc/Hz |                                       |
| At 100 kHz Offset                 |     | -105 |     | dBc/Hz |                                       |
| At 1 MHz Offset                   |     | -123 |     | dBc/Hz |                                       |
| At 10 MHz Offset                  |     | -141 |     | dBc/Hz |                                       |
| At 40 MHz Offset                  |     | -146 |     | dBc/Hz |                                       |
| VCO = 2.55 GHz; Output = 2.55 GHz |     |      |     |        |                                       |
| At 1 kHz Offset                   |     | -51  |     | dBc/Hz |                                       |
| At 10 kHz Offset                  |     | -80  |     | dBc/Hz |                                       |
| At 100 kHz Offset                 |     | -106 |     | dBc/Hz |                                       |
| At 1 MHz Offset                   |     | -125 |     | dBc/Hz |                                       |
| At 10 MHz Offset                  |     | -142 |     | dBc/Hz |                                       |
| At 40 MHz Offset                  |     | -146 |     | dBc/Hz |                                       |



**CLOCK OUTPUT ABSOLUTE TIME JITTER (CLOCK GENERATION USING INTERNAL VCO)**

Table 8.

| Parameter  | Min | Typ | Max | Unit   | Test Conditions/Comments  |
|--|-----|-----|-----|--------|---|
| LVPECL OUTPUT ABSOLUTE TIME JITTER                     |     |     |     |        | Application example based on a typical setup where the reference source is clean, so a wider PLL loop bandwidth is used; reference = 15.36 MHz; R = 1 |
| VCO = 2.95 GHz; LVPECL = 491.52 MHz; PLL LBW = 75 kHz  |     | 148 |     | fs rms | Integration BW = 200 kHz to 10 MHz  |
|  |     | 342 |     | fs rms | Integration BW = 12 kHz to 20 MHz   |
| VCO = 2.95 GHz; LVPECL = 122.88 MHz; PLL LBW = 75 kHz  |     | 212 |     | fs rms | Integration BW = 200 kHz to 10 MHz  |
|  |     | 320 |     | fs rms | Integration BW = 12 kHz to 20 MHz   |
| VCO = 2.70 GHz; LVPECL = 122.88 MHz; PLL LBW = 187 kHz |     | 184 |     | fs rms | Integration BW = 200 kHz to 10 MHz  |
|  |     | 304 |     | fs rms | Integration BW = 12 kHz to 20 MHz   |
| VCO = 2.70 GHz; LVPECL = 61.44 MHz; PLL LBW = 187 kHz  |     | 221 |     | fs rms | Integration BW = 200 kHz to 10 MHz  |
|  |     | 345 |     | fs rms | Integration BW = 12 kHz to 20 MHz   |
| VCO = 2.58 GHz; LVPECL = 61.44 MHz; PLL LBW = 75 kHz   |     | 210 |     | fs rms | Integration BW = 200 kHz to 10 MHz  |
|  |     | 334 |     | fs rms | Integration BW = 12 kHz to 20 MHz   |

**CLOCK OUTPUT ABSOLUTE TIME JITTER (CLOCK CLEANUP USING INTERNAL VCO)**

Table 9.

| Parameter   | Min | Typ | Max | Unit   | Test Conditions/Comments   |
|---|-----|-----|-----|--------|--|
| LVPECL OUTPUT ABSOLUTE TIME JITTER                      |     |     |     |        | Application example based on a typical setup where the reference source is jittery, so a narrower PLL loop bandwidth is used; reference = 19.44 MHz; R = 1 |
| VCO = 2.80 GHz; LVPECL = 155.52 MHz; PLL LBW = 12.8 kHz |     | 513 |     | fs rms | Integration BW = 12 kHz to 20 MHz  |
| VCO = 2.95 GHz; LVPECL = 77.76 MHz; PLL LBW = 12.8 kHz  |     | 544 |     | fs rms | Integration BW = 12 kHz to 20 MHz  |

**CLOCK OUTPUT ABSOLUTE TIME JITTER (CLOCK GENERATION USING EXTERNAL VCXO)**

Table 10.

| Parameter                             | Min | Typ | Max | Unit   | Test Conditions/Comments  |
|---------------------------------------|-----|-----|-----|--------|---|
| LVPECL OUTPUT ABSOLUTE TIME JITTER    |     |     |     |        | Application example based on a typical setup using an external 245.76 MHz VCXO (Toyocom TCO-2112); reference = 15.36 MHz; R = 1 |
| LVPECL = 245.76 MHz; PLL LBW = 125 Hz |     | 54  |     | fs rms | Integration BW = 200 kHz to 5 MHz   |
|                                       |     | 77  |     | fs rms | Integration BW = 200 kHz to 10 MHz  |
|                                       |     | 109 |     | fs rms | Integration BW = 12 kHz to 20 MHz   |
| LVPECL = 122.88 MHz; PLL LBW = 125 Hz |     | 79  |     | fs rms | Integration BW = 200 kHz to 5 MHz   |
|                                       |     | 114 |     | fs rms | Integration BW = 200 kHz to 10 MHz  |
|                                       |     | 163 |     | fs rms | Integration BW = 12 kHz to 20 MHz   |
| LVPECL = 61.44 MHz; PLL LBW = 125 Hz  |     | 124 |     | fs rms | Integration BW = 200 kHz to 5 MHz   |
|                                       |     | 176 |     | fs rms | Integration BW = 200 kHz to 10 MHz  |
|                                       |     | 259 |     | fs rms | Integration BW = 12 kHz to 20 MHz   |

**CLOCK OUTPUT ADDITIVE TIME JITTER (VCO DIVIDER NOT USED)**

Table 11.

| Parameter   | Min | Typ | Max | Unit   | Test Conditions/Comments  |
|---|-----|-----|-----|--------|---|
| LVPECL OUTPUT ADDITIVE TIME JITTER                    |     |     |     |        | Distribution section only; does not include PLL and VCO; uses rising edge of clock signal |
| CLK = 622.08 MHz; LVPECL = 622.08 MHz;<br>Divider = 1 |     | 40  |     | fs rms | BW = 12 kHz to 20 MHz   |
| CLK = 622.08 MHz; LVPECL = 155.52 MHz;<br>Divider = 4 |     | 80  |     | fs rms | BW = 12 kHz to 20 MHz   |
| CLK = 1.6 GHz; LVPECL = 100 MHz; Divider = 16         |     | 215 |     | fs rms | Calculated from SNR of ADC method; DCC not used for even divides                          |
| CLK = 500 MHz; LVPECL = 100 MHz; Divider = 5          |     | 245 |     | fs rms | Calculated from SNR of ADC method; DCC on   |

**CLOCK OUTPUT ADDITIVE TIME JITTER (VCO DIVIDER USED)**

Table 12.

| Parameter  | Min | Typ | Max | Unit   | Test Conditions/Comments  |
|--|-----|-----|-----|--------|---|
| LVPECL OUTPUT ADDITIVE TIME JITTER   |     |     |     |        | Distribution section only; does not include PLL and VCO; uses rising edge of clock signal |
| CLK = 2.4 GHz; VCO DIV = 2; LVPECL = 100 MHz;<br>Divider = 12; Duty-Cycle Correction = Off |     | 210 |     | fs rms | Calculated from SNR of ADC method   |

## SERIAL CONTROL PORT

Table 13.

| Parameter   | Min | Typ | Max | Unit          | Test Conditions/Comments  |
|---|-----|-----|-----|---------------|---|
| $\overline{\text{CS}}$ (INPUT)                                    |     |     |     |               | $\overline{\text{CS}}$ has an internal 30 k $\Omega$ pull-up resistor |
| Input Logic 1 Voltage   | 2.0 |     |     | V             |   |
| Input Logic 0 Voltage   |     |     | 0.8 | V             |   |
| Input Logic 1 Current   |     |     | 3   | $\mu\text{A}$ |   |
| Input Logic 0 Current   |     | 110 |     | $\mu\text{A}$ |   |
| Input Capacitance   |     | 2   |     | pF            |   |
| SCLK (INPUT)  |     |     |     |               | SCLK has an internal 30 k $\Omega$ pull-down resistor                 |
| Input Logic 1 Voltage   | 2.0 |     |     | V             |   |
| Input Logic 0 Voltage   |     |     | 0.8 | V             |   |
| Input Logic 1 Current   |     | 110 |     | $\mu\text{A}$ |   |
| Input Logic 0 Current   |     |     | 1   | $\mu\text{A}$ |   |
| Input Capacitance   |     | 2   |     | pF            |   |
| SDIO (WHEN INPUT)   |     |     |     |               |   |
| Input Logic 1 Voltage   | 2.0 |     |     | V             |   |
| Input Logic 0 Voltage   |     |     | 0.8 | V             |   |
| Input Logic 1 Current   |     | 10  |     | nA            |   |
| Input Logic 0 Current   |     | 20  |     | nA            |   |
| Input Capacitance   |     | 2   |     | pF            |   |
| SDIO, SDO (OUTPUTS)   |     |     |     |               |   |
| Output Logic 1 Voltage  | 2.7 |     |     | V             |   |
| Output Logic 0 Voltage  |     |     | 0.4 | V             |   |
| TIMING  |     |     |     |               |   |
| Clock Rate (SCLK, $1/t_{\text{SCLK}}$ )                           |     |     | 25  | MHz           |   |
| Pulse Width High, $t_{\text{HIGH}}$                               | 16  |     |     | ns            |   |
| Pulse Width Low, $t_{\text{LOW}}$                                 | 16  |     |     | ns            |   |
| SDIO to SCLK Setup, $t_{\text{DS}}$                               | 2   |     |     | ns            |   |
| SCLK to SDIO Hold, $t_{\text{DH}}$                                | 1.1 |     |     | ns            |   |
| SCLK to Valid SDIO and SDO, $t_{\text{DV}}$                       |     |     | 8   | ns            |   |
| $\overline{\text{CS}}$ to SCLK Setup and Hold, $t_{\text{S, TH}}$ | 2   |     |     | ns            |   |
| $\overline{\text{CS}}$ Minimum Pulse Width High, $t_{\text{PWH}}$ | 3   |     |     | ns            |   |

## PD, SYNC, AND RESET PINS

Table 14.

| Parameter             | Min | Typ | Max | Unit                    | Test Conditions/Comments                                       |
|-----------------------|-----|-----|-----|-------------------------|--|
| INPUT CHARACTERISTICS |     |     |     |                         | These pins each have a 30 k $\Omega$ internal pull-up resistor |
| Logic 1 Voltage       | 2.0 |     |     | V                       |  |
| Logic 0 Voltage       |     |     | 0.8 | V                       |  |
| Logic 1 Current       |     |     | 1   | $\mu\text{A}$           |  |
| Logic 0 Current       |     | 110 |     | $\mu\text{A}$           |  |
| Capacitance           |     | 2   |     | pF                      |  |
| RESET TIMING          |     |     |     |                         |  |
| Pulse Width Low       | 50  |     |     | ns                      |  |
| SYNC TIMING           |     |     |     |                         |  |
| Pulse Width Low       | 1.5 |     |     | High speed clock cycles | High speed clock is CLK input signal                           |

**LD, STATUS, AND REFMON PINS**

Table 15.

| Parameter  | Min  | Typ | Max | Unit | Test Conditions/Comments   |
|--|------|-----|-----|------|--|
| OUTPUT CHARACTERISTICS                                       |      |     |     |      | When selected as a digital output (CMOS); there are other modes in which these pins are not CMOS digital outputs; see Table 44, Register 0x017, Register 0x01A, and Register 0x01B   |
| Output Voltage High ( $V_{OH}$ )                             | 2.7  |     |     | V    |  |
| Output Voltage Low ( $V_{OL}$ )                              |      |     | 0.4 | V    |  |
| MAXIMUM TOGGLE RATE  |      | 100 |     | MHz  | Applies when mux is set to any divider or counter output, or PFD up/down pulse; also applies in analog lock detect mode; usually debug mode only; beware that spurs may couple to output when any of these pins are toggling |
| ANALOG LOCK DETECT<br>Capacitance                            |      | 3   |     | pF   | On-chip capacitance; used to calculate RC time constant for analog lock detect readback; use a pull-up resistor  |
| REF1, REF2, AND VCO FREQUENCY STATUS MONITOR<br>Normal Range | 1.02 |     |     | MHz  | Frequency above which the monitor always indicates the presence of the reference   |
| Extended Range (REF1 and REF2 Only)                          | 8    |     |     | kHz  | Frequency above which the monitor always indicates the presence of the reference   |
| LD PIN COMPARATOR<br>Trip Point                              |      | 1.6 |     | V    |  |
| Hysteresis   |      | 260 |     | mV   |  |

**POWER DISSIPATION**

Table 16.

| Parameter                                   | Min | Typ  | Max | Unit | Test Conditions/Comments  |
|---|-----|------|-----|------|---|
| POWER DISSIPATION, CHIP                     |     |      |     |      |   |
| Power-On Default                            |     | 0.76 | 1.0 | W    | No clock; no programming; default register values; does not include power dissipated in external resistors  |
| Full Operation                              |     | 1.1  | 1.7 | W    | PLL on; internal VCO = 2750 MHz; VCO divider = 2; all channel dividers on; six LVPECL outputs at 687.5 MHz; does not include power dissipated in external resistors         |
| $\overline{PD}$ Power-Down                  |     | 75   | 185 | mW   | $\overline{PD}$ pin pulled low; does not include power dissipated in terminations   |
| $\overline{PD}$ Power-Down, Maximum Sleep   |     | 31   |     | mW   | $\overline{PD}$ pin pulled low; PLL power-down, Register 0x010[1:0] = 01b; SYNC power-down, Register 0x230[2] = 1b; REF for distribution power-down, Register 0x230[1] = 1b |
| $V_{CP}$ Supply                             |     | 4    | 4.8 | mW   | PLL operating; typical closed-loop configuration  |
| POWER DELTAS, INDIVIDUAL FUNCTIONS          |     |      |     |      | Power delta when a function is enabled/disabled   |
| VCO Divider                                 |     | 30   |     | mW   | VCO divider bypassed  |
| REFIN (Differential)                        |     | 20   |     | mW   | All references off to differential reference enabled  |
| REF1, REF2 (Single-Ended)                   |     | 4    |     | mW   | All references off to REF1 or REF2 enabled; differential reference not enabled  |
| VCO   |     | 70   |     | mW   | CLK input selected to VCO selected  |
| PLL   |     | 75   |     | mW   | PLL off to PLL on, normal operation; no reference enabled   |
| Channel Divider                             |     | 30   |     | mW   | Divider bypassed to divide-by-2 to divide-by-32   |
| LVPECL Channel (Divider Plus Output Driver) |     | 160  |     | mW   | No LVPECL output on to one LVPECL output on, independent of frequency   |
| LVPECL Driver                               |     | 90   |     | mW   | Second LVPECL output turned on, same channel  |

### TIMING DIAGRAMS

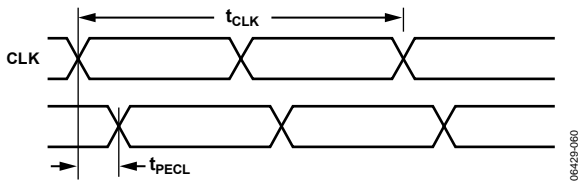


Figure 2. CLK/ $\overline{\text{CLK}}$  to Clock Output Timing, DIV = 1

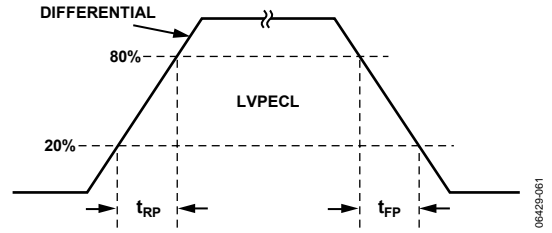


Figure 3. LVPECL Timing, Differential

## ABSOLUTE MAXIMUM RATINGS

Table 17.

| Parameter  | Rating                  |
|--|-------------------------|
| VS, VS_LVPECL to GND   | −0.3 V to +3.6 V        |
| VCP to GND   | −0.3 V to +5.8 V        |
| REFIN, $\overline{\text{REFIN}}$ to GND  | −0.3 V to $V_S + 0.3$ V |
| REFIN to $\overline{\text{REFIN}}$   | −3.3 V to +3.3 V        |
| RSET to GND  | −0.3 V to $V_S + 0.3$ V |
| CPRSET to GND  | −0.3 V to $V_S + 0.3$ V |
| CLK, $\overline{\text{CLK}}$ to GND  | −0.3 V to $V_S + 0.3$ V |
| CLK to $\overline{\text{CLK}}$   | −1.2 V to +1.2 V        |
| SCLK, SDIO, SDO, $\overline{\text{CS}}$ to GND   | −0.3 V to $V_S + 0.3$ V |
| OUT0, $\overline{\text{OUT0}}$ , OUT1, $\overline{\text{OUT1}}$ , OUT2, $\overline{\text{OUT2}}$ ,<br>OUT3, $\overline{\text{OUT3}}$ , OUT4, $\overline{\text{OUT4}}$ , OUT5, $\overline{\text{OUT5}}$<br>to GND | −0.3 V to $V_S + 0.3$ V |
| $\overline{\text{SYNC}}$ to GND  | −0.3 V to $V_S + 0.3$ V |
| REFMON, STATUS, LD to GND  | −0.3 V to $V_S + 0.3$ V |
| Junction Temperature <sup>1</sup>  | 150°C                   |
| Storage Temperature Range  | −65°C to +150°C         |
| Lead Temperature (10 sec)  | 300°C                   |

<sup>1</sup> See Table 18 for  $\theta_{JA}$ .

Stresses above those listed under Absolute Maximum Ratings may cause permanent damage to the device. This is a stress rating only; functional operation of the device at these or any other conditions above those indicated in the operational section of this specification is not implied. Exposure to absolute maximum rating conditions for extended periods may affect device reliability.

## THERMAL RESISTANCE

Table 18.

| Package Type <sup>1</sup> | $\theta_{JA}$ | Unit |
|---------------------------|---------------|------|
| 48-Lead LFCSP             | 24.7          | °C/W |

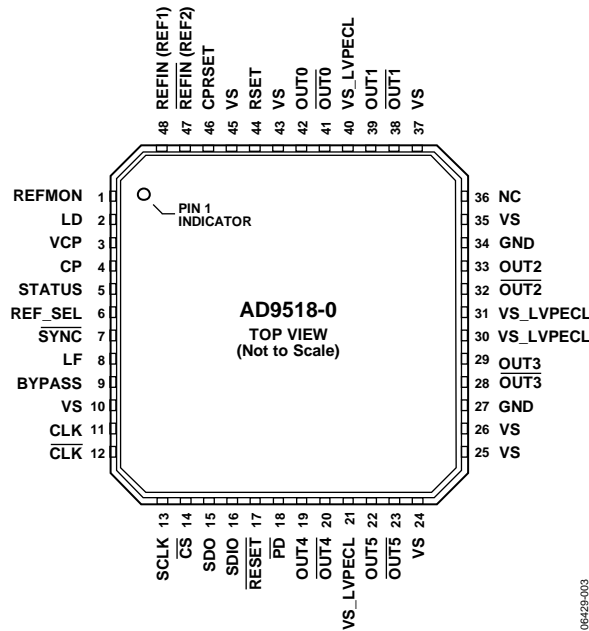
<sup>1</sup> Thermal impedance measurements were taken on a 4-layer board in still air in accordance with EIA/JESD51-2.

## ESD CAUTION



**ESD (electrostatic discharge) sensitive device.** Charged devices and circuit boards can discharge without detection. Although this product features patented or proprietary protection circuitry, damage may occur on devices subjected to high energy ESD. Therefore, proper ESD precautions should be taken to avoid performance degradation or loss of functionality.

# PIN CONFIGURATION AND FUNCTION DESCRIPTIONS



- NOTES**
1. NC = NO CONNECT.
  2. THE EXTERNAL PADDLE ON THE BOTTOM OF THE PACKAGE MUST BE CONNECTED TO GROUND FOR PROPER OPERATION.

Figure 4. Pin Configuration

Table 19. Pin Function Descriptions

| Pin No.                        | Input/Output | Pin Type                 | Mnemonic                 | Description   |
|--------------------------------|--------------|--------------------------|--------------------------|---|
| 1                              | O            | 3.3 V CMOS               | REFMON                   | Reference Monitor (Output). This pin has multiple selectable outputs; see Table 44, Register 0x01B.   |
| 2                              | O            | 3.3 V CMOS               | LD                       | Lock Detect (Output). This pin has multiple selectable outputs; see Table 44, Register 0x01A.   |
| 3                              | I            | Power                    | VCP                      | Power Supply for Charge Pump (CP). $V_S \leq V_{CP} \leq 5.0$ V. This pin is usually 3.3 V for most applications; but if a 5 V external VCXO is used, this pin should be 5 V.                     |
| 4                              | O            |                          | CP                       | Charge Pump (Output). Connects to external loop filter.   |
| 5                              | O            | 3.3 V CMOS               | STATUS                   | Status (Output). This pin has multiple selectable outputs; see Table 44, Register 0x017.  |
| 6                              | I            | 3.3 V CMOS               | REF_SEL                  | Reference Select. Selects REF1 (low) or REF2 (high). This pin has an internal 30 k $\Omega$ pull-down resistor.   |
| 7                              | I            | 3.3 V CMOS               | $\overline{\text{SYNC}}$ | Manual Synchronizations and Manual Holdover. This pin initiates a manual synchronization and is used for manual holdover. Active low. This pin has an internal 30 k $\Omega$ pull-up resistor.    |
| 8                              | I            | Loop filter              | LF                       | Loop Filter (Input). Connects to VCO control voltage node internally. This pin has 31 pF of internal capacitance to ground, which may influence the loop filter design for large loop bandwidths. |
| 9                              | O            | Loop filter              | BYPASS                   | This pin is for bypassing the LDO to ground with a capacitor.   |
| 10, 24, 25, 26, 35, 37, 43, 45 | I            | Power                    | VS                       | 3.3 V Power Pins.   |
| 11                             | I            | Differential clock input | CLK                      | Along with $\overline{\text{CLK}}$ , this is the self-biased differential input for the clock distribution section. This pin can be left floating if internal VCO is used.                        |
| 12                             | I            | Differential clock input | $\overline{\text{CLK}}$  | Along with CLK, this is the self-biased differential input for the clock distribution section. This pin can be left floating if internal VCO is used.   |

| Pin No.           | Input/<br>Output | Pin Type             | Mnemonic                         | Description   |
|-------------------|------------------|----------------------|----------------------------------|---|
| 13                | I                | 3.3 V CMOS           | SCLK                             | Serial Control Port Data Clock Signal.  |
| 14                | I                | 3.3 V CMOS           | $\overline{\text{CS}}$           | Serial Control Port Chip Select, Active Low. This pin has an internal 30 k $\Omega$ pull-up resistor.   |
| 15                | O                | 3.3 V CMOS           | SDO                              | Serial Control Port. Unidirectional serial data output.   |
| 16                | I/O              | 3.3 V CMOS           | SDIO                             | Serial Control Port. Bidirectional serial data input/output.  |
| 17                | I                | 3.3 V CMOS           | $\overline{\text{RESET}}$        | Chip Reset, Active Low. This pin has an internal 30 k $\Omega$ pull-up resistor.  |
| 18                | I                | 3.3 V CMOS           | $\overline{\text{PD}}$           | Chip Power Down, Active Low. This pin has an internal 30 k $\Omega$ pull-up resistor.   |
| 19                | O                | LVPECL               | $\overline{\text{OUT4}}$         | LVPECL Output; One Side of a Differential LVPECL Output.  |
| 20                | O                | LVPECL               | $\overline{\text{OUT4}}$         | LVPECL Output; One Side of a Differential LVPECL Output.  |
| 21, 30, 31,<br>40 | I                | Power                | VS_LVPECL                        | Extended Voltage 2.5 V to 3.3 V LVPECL Power Pins.  |
| 22                | O                | LVPECL               | $\overline{\text{OUT5}}$         | LVPECL Output; One Side of a Differential LVPECL Output.  |
| 23                | O                | LVPECL               | $\overline{\text{OUT5}}$         | LVPECL Output; One Side of a Differential LVPECL Output.  |
| 27, 34            |                  | GND                  | GND                              | Ground. See the description for EPAD.   |
| 28                | O                | LVPECL               | $\overline{\text{OUT3}}$         | LVPECL Output; One Side of a Differential LVPECL Output.  |
| 29                | O                | LVPECL               | $\overline{\text{OUT3}}$         | LVPECL Output; One Side of a Differential LVPECL Output.  |
| 32                | O                | LVPECL               | $\overline{\text{OUT2}}$         | LVPECL Output; One Side of a Differential LVPECL Output.  |
| 33                | O                | LVPECL               | OUT2                             | LVPECL Output; One Side of a Differential LVPECL Output.  |
| 36                |                  |                      | NC                               | No Connection.  |
| 38                | O                | LVPECL               | $\overline{\text{OUT1}}$         | LVPECL Output; One Side of a Differential LVPECL Output.  |
| 39                | O                | LVPECL               | OUT1                             | LVPECL Output; One Side of a Differential LVPECL Output.  |
| 41                | O                | LVPECL               | $\overline{\text{OUT0}}$         | LVPECL Output; One Side of a Differential LVPECL Output.  |
| 42                | O                | LVPECL               | OUT0                             | LVPECL Output; One Side of a Differential LVPECL Output.  |
| 44                | O                | Current set resistor | RSET                             | Resistor connected here sets internal bias currents. Nominal value = 4.12 k $\Omega$ .  |
| 46                | O                | Current set resistor | CPRSET                           | Resistor connected here sets the CP current range. Nominal value = 5.1 k $\Omega$ .   |
| 47                | I                | Reference input      | $\overline{\text{REFIN}}$ (REF2) | Along with REF $\overline{\text{IN}}$ , this is the self-biased differential input for the PLL reference. Alternatively, this pin is a single-ended input for REF2. |
| 48                | I                | Reference input      | REFIN (REF1)                     | Along with REF $\overline{\text{IN}}$ , this is the self-biased differential input for the PLL reference. Alternatively, this pin is a single-ended input for REF1. |
| EPAD              |                  | GND                  | GND                              | Ground. The external paddle on the bottom of the package must be connected to ground for proper operation.  |



TYPICAL PERFORMANCE CHARACTERISTICS

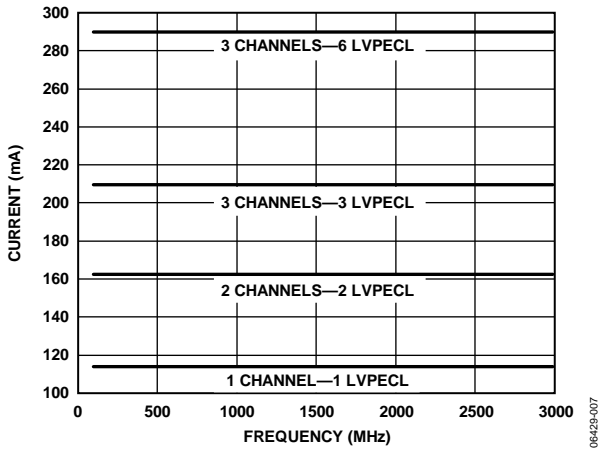


Figure 5. Current vs. Frequency, Direct to Output, LVPECL Outputs

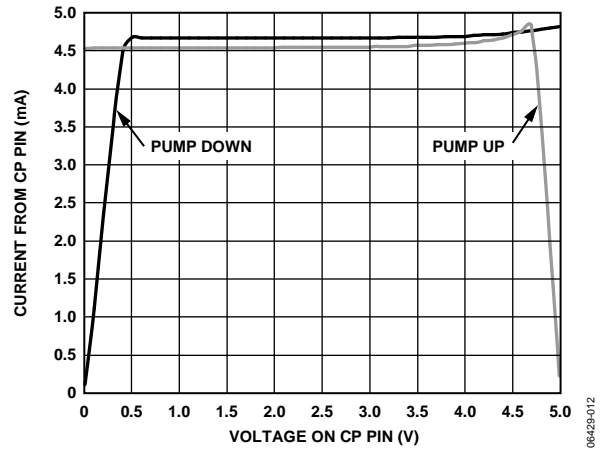


Figure 8. Charge Pump Characteristics at  $V_{CP} = 5.0 V$

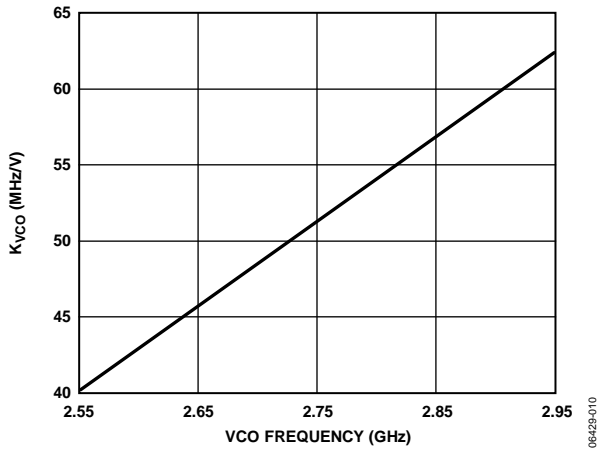


Figure 6.  $K_{VCO}$  vs. VCO Frequency

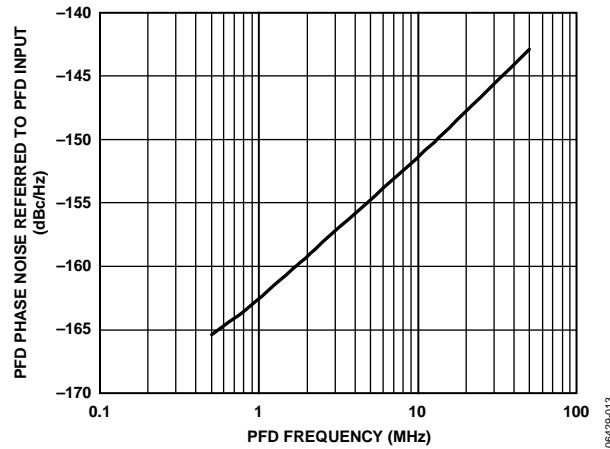


Figure 9. PFD Phase Noise Referred to PFD Input vs. PFD Frequency

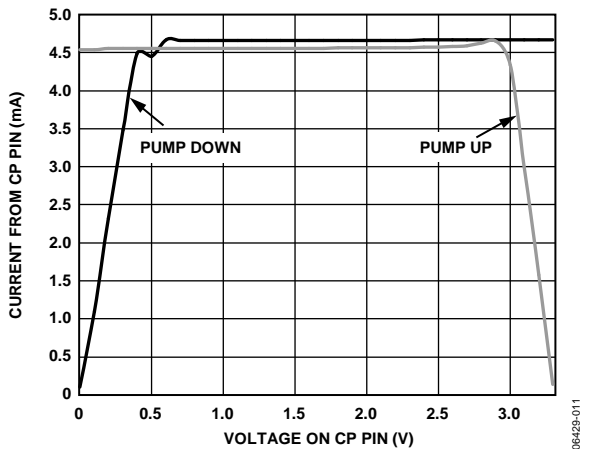


Figure 7. Charge Pump Characteristics at  $V_{CP} = 3.3 V$

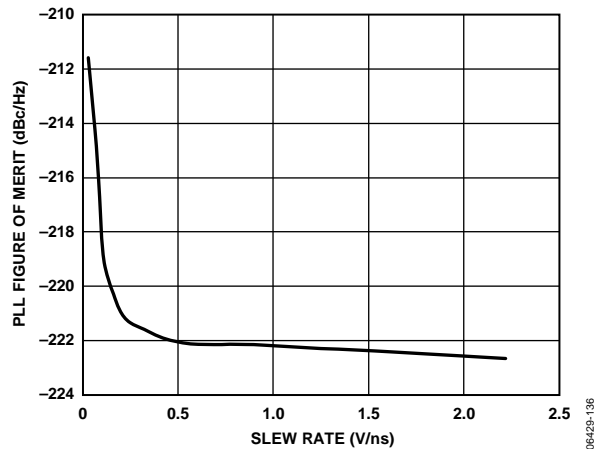


Figure 10. PLL Figure of Merit (FOM) vs. Slew Rate at  $\overline{REFIN}/REFIN$

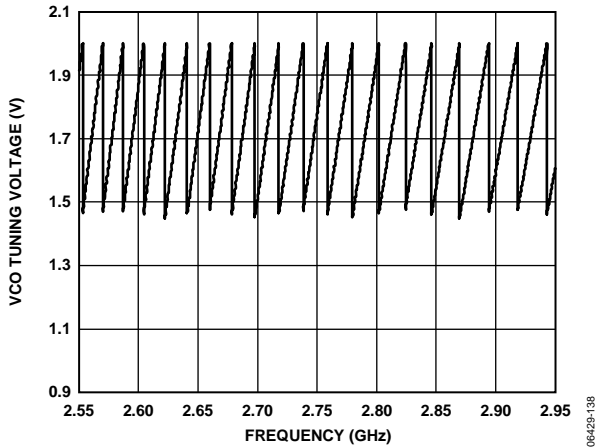


Figure 11. VCO Tuning Voltage vs. Frequency  
(Note that VCO calibration centers the dc tuning voltage for the PLL setup that is active during calibration.)

06429-138

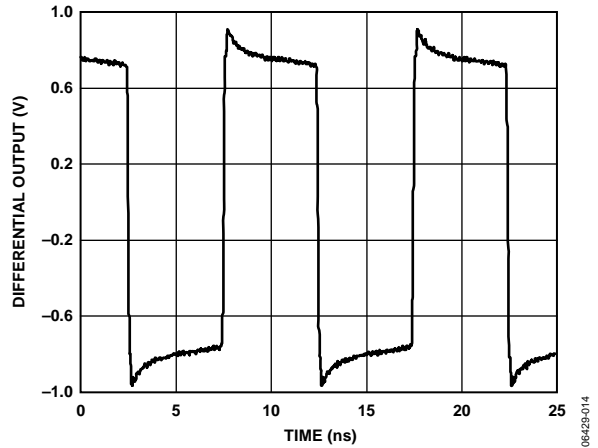


Figure 14. LVPECL Output (Differential) at 100 MHz

06429-014

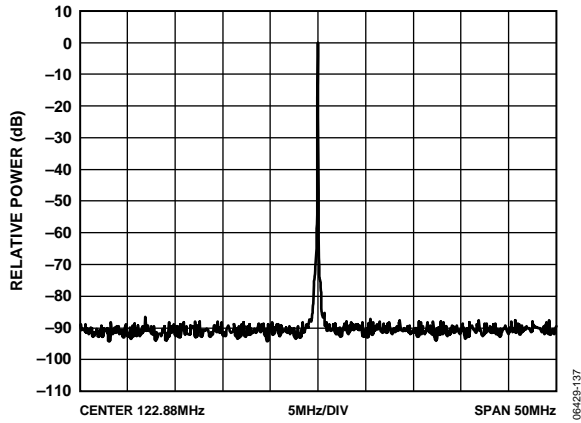


Figure 12. PFD/CP Spurs; 122.88 MHz; PFD = 15.36 MHz;  
LBW = 190 kHz;  $I_{CP} = 4.2$  mA;  $f_{VCO} = 2.7$  GHz

06429-137

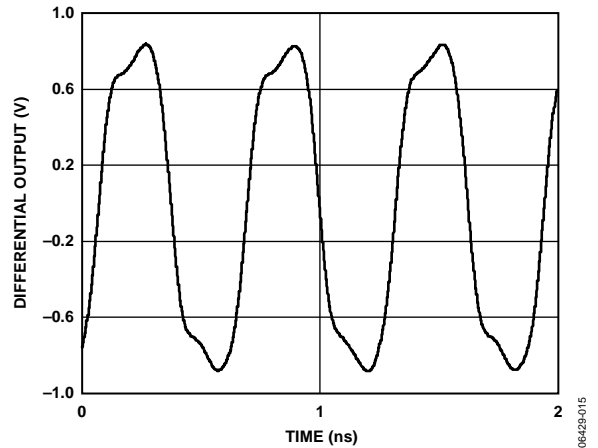


Figure 15. LVPECL Output (Differential) at 1600 MHz

06429-015

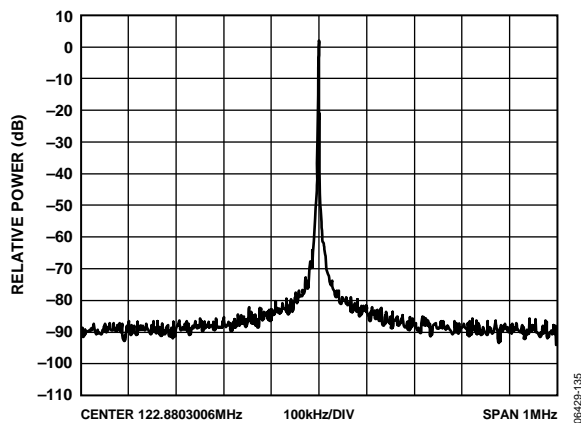


Figure 13. Output Spectrum, LVPECL; 122.88 MHz; PFD = 15.36 MHz;  
LBW = 190 kHz;  $I_{CP} = 4.2$  mA;  $f_{VCO} = 2.7$  GHz

06429-135

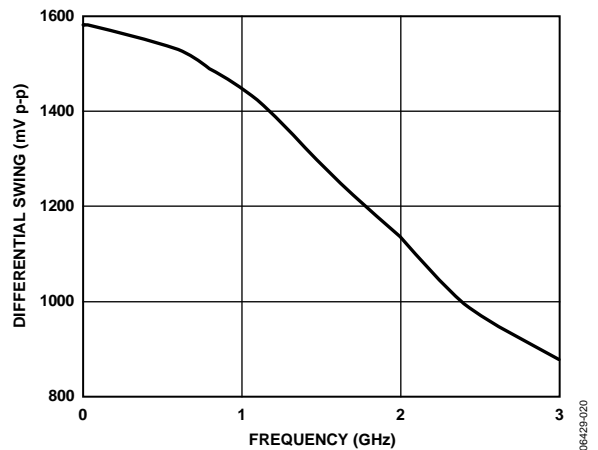


Figure 16. LVPECL Differential Swing vs. Frequency  
Using a Differential Probe Across the Output Pair

06429-020

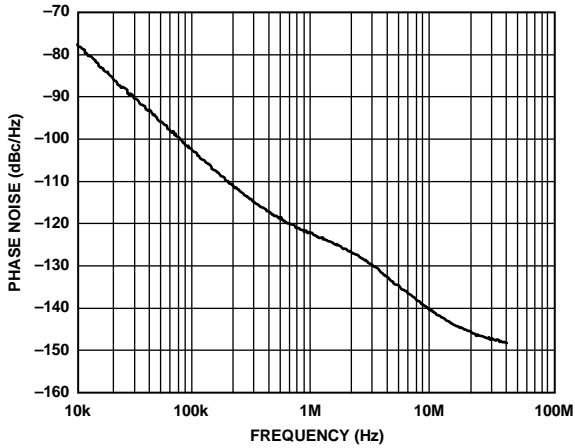


Figure 17. Internal VCO Phase Noise (Absolute) Direct to LVPECL at 2950 MHz

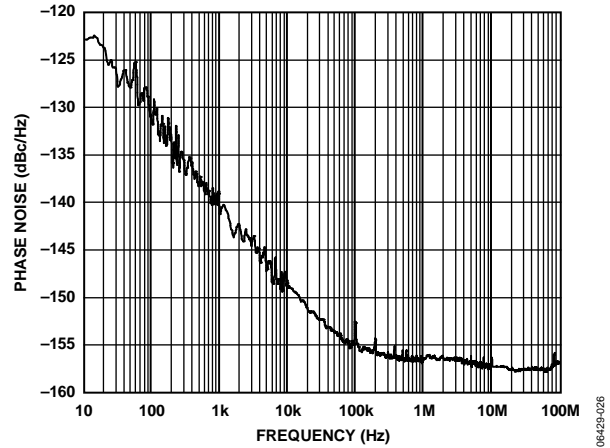


Figure 20. Phase Noise (Additive) LVPECL at 245.76 MHz, Divide-by-1

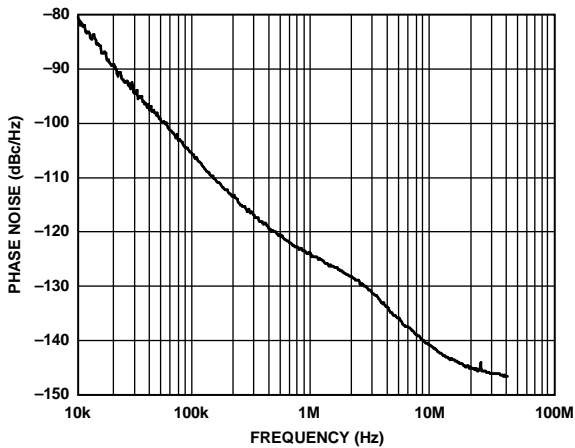


Figure 18. Internal VCO Phase Noise (Absolute) Direct to LVPECL at 2750 MHz

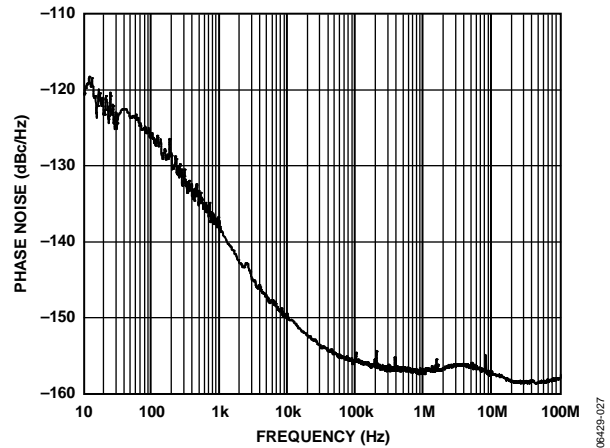


Figure 21. Phase Noise (Additive) LVPECL at 200 MHz, Divide-by-5

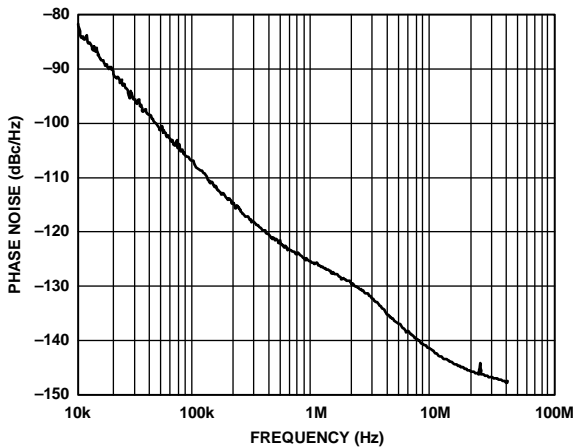


Figure 19. Internal VCO Phase Noise (Absolute) Direct to LVPECL at 2550 MHz

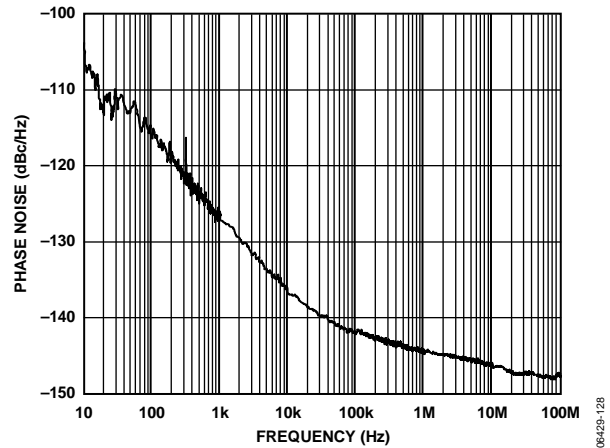


Figure 22. Phase Noise (Additive) LVPECL at 1600 MHz, Divide-by-1

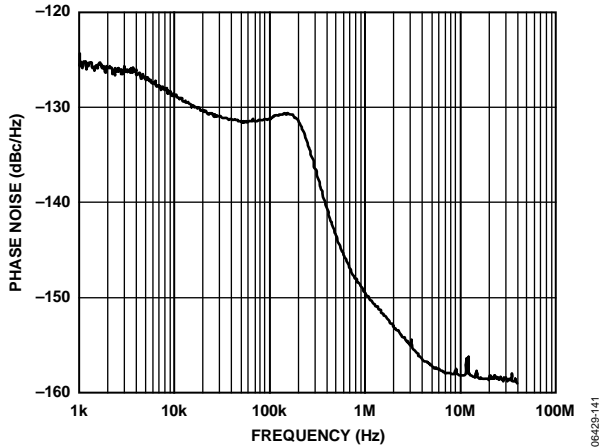


Figure 23. Phase Noise (Absolute) Clock Generation; Internal VCO at 2.7 GHz; PFD = 15.36 MHz; LBW = 110 kHz; LVPECL Output = 122.88 MHz

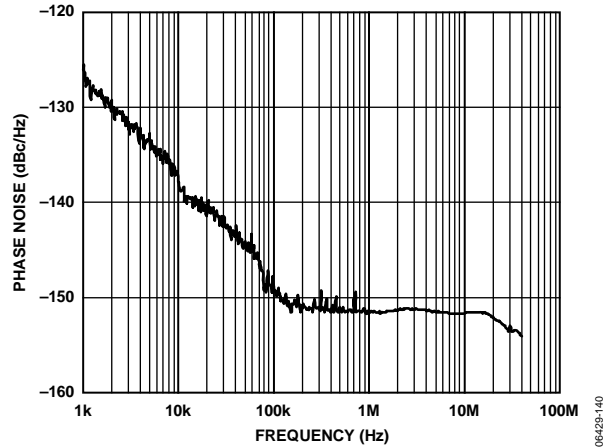


Figure 25. Phase Noise (Absolute); External VCXO (Toyocom TCO-2112) at 245.76 MHz; PFD = 15.36 MHz; LBW = 250 Hz; LVPECL Output = 245.76 MHz

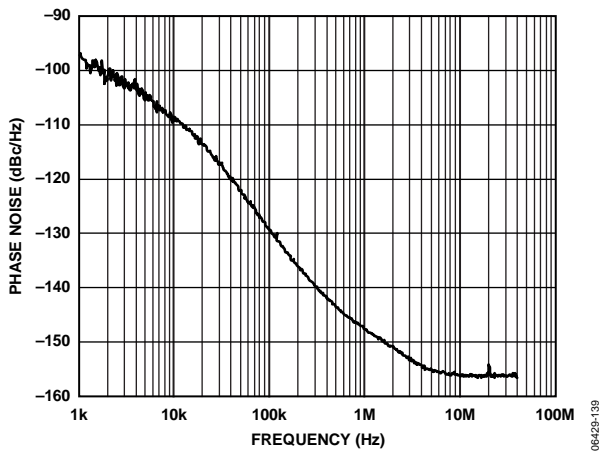


Figure 24. Phase Noise (Absolute) Clock Cleanup; Internal VCO at 2.8 GHz; PFD = 19.44 MHz; LBW = 12.8 kHz; LVPECL Output = 155.52 MHz

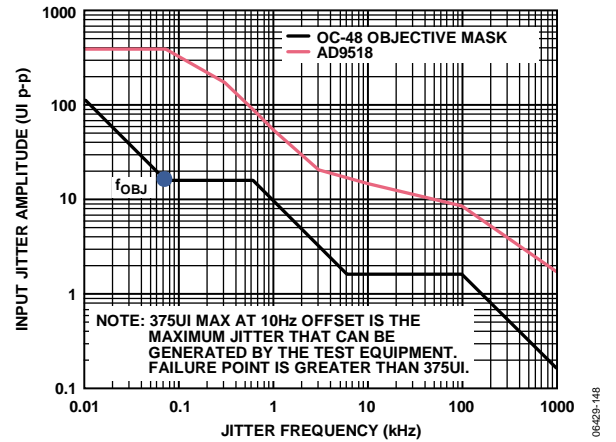


Figure 26. GR-253 Jitter Tolerance Plot

## TERMINOLOGY

### Phase Jitter and Phase Noise

An ideal sine wave can be thought of as having a continuous and even progression of phase with time from 0° to 360° for each cycle. Actual signals, however, display a certain amount of variation from ideal phase progression over time. This phenomenon is called phase jitter. Although many causes can contribute to phase jitter, one major cause is random noise, which is characterized statistically as being Gaussian (normal) in distribution.

This phase jitter leads to a spreading out of the energy of the sine wave in the frequency domain, producing a continuous power spectrum. This power spectrum is usually reported as a series of values whose units are dBc/Hz at a given offset in frequency from the sine wave (carrier). The value is a ratio (expressed in dB) of the power contained within a 1 Hz bandwidth with respect to the power at the carrier frequency. For each measurement, the offset from the carrier frequency is also given.

It is meaningful to integrate the total power contained within some interval of offset frequencies (for example, 10 kHz to 10 MHz). This is called the integrated phase noise over that frequency offset interval and can be readily related to the time jitter due to the phase noise within that offset frequency interval.

Phase noise has a detrimental effect on the performance of ADCs, DACs, and RF mixers. It lowers the achievable dynamic range of the converters and mixers, although they are affected in somewhat different ways.

### Time Jitter

Phase noise is a frequency domain phenomenon. In the time domain, the same effect is exhibited as time jitter. When observing a sine wave, the time of successive zero crossings varies. In a square wave, the time jitter is a displacement of the

edges from their ideal (regular) times of occurrence. In both cases, the variations in timing from the ideal are the time jitter. Because these variations are random in nature, the time jitter is specified in units of seconds root mean square (rms) or 1 sigma of the Gaussian distribution.

Time jitter that occurs on a sampling clock for a DAC or an ADC decreases the signal-to-noise ratio (SNR) and dynamic range of the converter. A sampling clock with the lowest possible jitter provides the highest performance from a given converter.

### Additive Phase Noise

Additive phase noise is the amount of phase noise that can be attributed to the device or subsystem being measured. The phase noise of any external oscillators or clock sources is subtracted. This makes it possible to predict the degree to which the device impacts the total system phase noise when used in conjunction with the various oscillators and clock sources, each of which contributes its own phase noise to the total. In many cases, the phase noise of one element dominates the system phase noise. When there are multiple contributors to phase noise, the total is the square root of the sum of squares of the individual contributors.

### Additive Time Jitter

Additive time jitter is the amount of time jitter that can be attributed to the device or subsystem being measured. The time jitter of any external oscillators or clock sources is subtracted. This makes it possible to predict the degree to which the device impacts the total system time jitter when used in conjunction with the various oscillators and clock sources, each of which contributes its own time jitter to the total. In many cases, the time jitter of the external oscillators and clock sources dominates the system time jitter.

# DETAILED BLOCK DIAGRAM

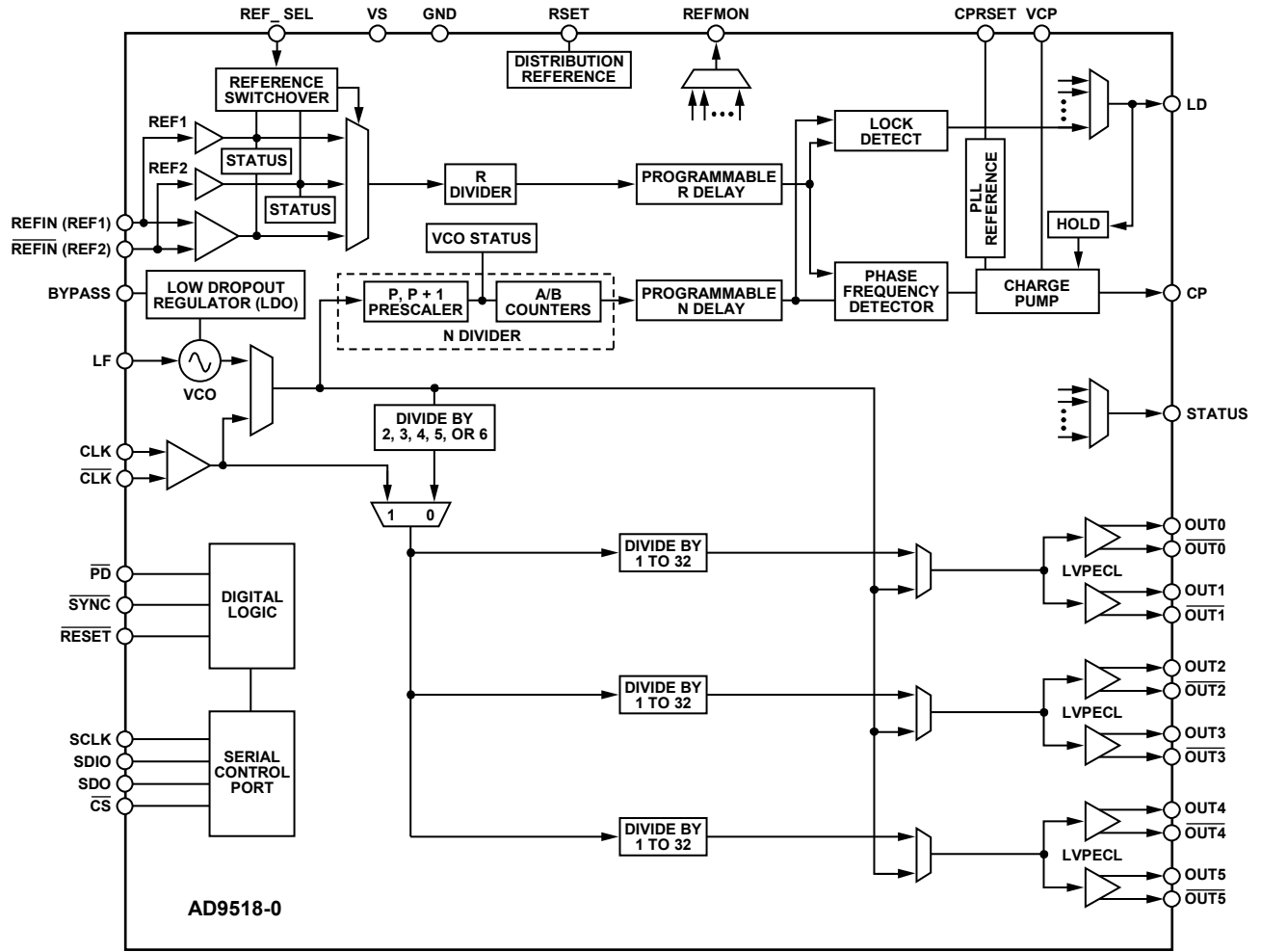


Figure 27. Detailed Block Diagram

06429-012

## THEORY OF OPERATION

### OPERATIONAL CONFIGURATIONS

The AD9518 can be configured in several ways. These configurations must be set up by loading the control registers (see Table 42 and Table 43 through Table 49). Each section or function must be individually programmed by setting the appropriate bits in the corresponding control register or registers.

#### High Frequency Clock Distribution—CLK or External VCO > 1600 MHz

The AD9518 power-up default configuration has the PLL powered off and the routing of the input set so that the CLK/CLK input is connected to the distribution section through the VCO divider (divide-by-2/divide-by-3/divide-by-4/divide-by-5/divide-by-6). This is a distribution-only mode that allows for an external input up to 2.4 GHz (see Table 3). The maximum frequency that can be applied to the channel dividers is 1600 MHz; therefore, higher input frequencies must be divided down before reaching the channel dividers. This input routing can also be used for lower input frequencies, but the minimum divide is 2 before the channel dividers.

When the PLL is enabled, this routing also allows the use of the PLL with an external VCO or VCXO with a frequency of less than 2400 MHz. In this configuration, the internal VCO is not used and is powered off. The external VCO/VCXO feeds directly into the prescaler.

The register settings shown in Table 20 are the default values of these registers at power-up or after a reset operation. If the contents of the registers are altered by prior programming after power-up or reset, these registers can also be set intentionally to these values.

After the appropriate register values are programmed, Register 0x232 must be set to 0x01 for the values to take effect.

**Table 20. Default Settings of Some PLL Registers**

| Register          | Function                               |
|-------------------|--|
| 0x010[1:0] = 01b  | PLL asynchronous power-down (PLL off). |
| 0x1E0[2:0] = 010b | Set VCO divider = 4.                   |
| 0x1E1[0] = 0b     | Use the VCO divider.                   |
| 0x1E1[1] = 0b     | CLK selected as the source.            |

When using the internal PLL with an external VCO, the PLL must be turned on.

**Table 21. Settings When Using an External VCO**

| Register         | Function  |
|------------------|---|
| 0x010[1:0] = 00b | PLL normal operation (PLL on).  |
| 0x010 to 0x01D   | PLL settings. Select and enable a reference input; set R, N (P, A, B), PFD polarity, and $I_{CP}$ , according to the intended loop configuration. |
| 0x1E1[1] = 0b    | CLK selected as the source.   |

An external VCO requires an external loop filter that must be connected between CP and the tuning pin of the VCO. This loop filter determines the loop bandwidth and stability of the PLL. Make sure to select the proper PFD polarity for the VCO being used.

**Table 22. Setting the PFD Polarity**

| Register      | Function  |
|---------------|---|
| 0x010[7] = 0b | PFD polarity positive (higher control voltage produces higher frequency). |
| 0x010[7] = 1b | PFD polarity negative (higher control voltage produces lower frequency).  |

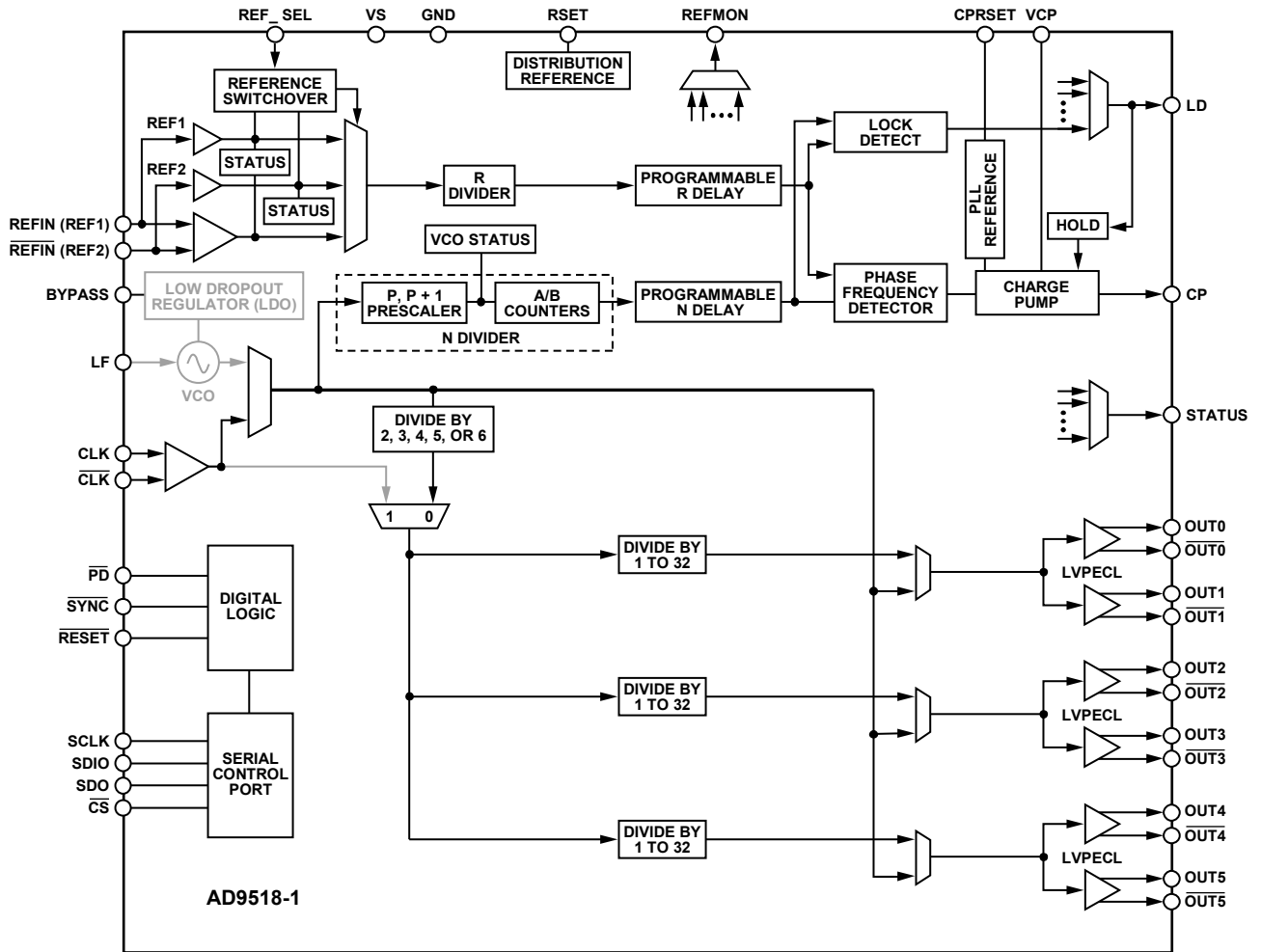


Figure 28. High Frequency Clock Distribution or External VCO > 1600 MHz

06430-029



**Internal VCO and Clock Distribution**

When using the internal VCO and PLL, the VCO divider must be employed to ensure that the frequency presented to the channel dividers does not exceed their specified maximum frequency of 1600 MHz (see Table 3). The internal PLL uses an external loop filter to set the loop bandwidth. The external loop filter is also crucial to the loop stability.

When using the internal VCO, it is necessary to calibrate the VCO (Register 0x018[0]) to ensure optimal performance.

For internal VCO and clock distribution applications, use the register settings that are shown in Table 23.

**Table 23. Settings When Using an Internal VCO**

| Register                        | Function  |
|---------------------------------|---|
| 0x010[1:0] = 00b                | PLL normal operation (PLL on).  |
| 0x010 to 0x01D                  | PLL settings. Select and enable a reference input; set R, N (P, A, B), PFD polarity, and $I_{CP}$ according to the intended loop configuration. |
| 0x018[0] = 0b,<br>0x232[0] = 1b | Reset VCO calibration. This process is not required the first time after power-up, but it must be performed subsequently.                       |
| 0x1E0[2:0]                      | Set VCO divider to divide-by-2, divide-by-3, divide-by-4, divide-by-5, or divide-by-6.  |
| 0x1E1[0] = 0b                   | Use VCO divider as the source for the distribution section.   |
| 0x1E1[1] = 1b                   | Select VCO as the source.   |
| 0x018[0] = 1b,<br>0x232[0] = 1b | Initiate VCO calibration.   |

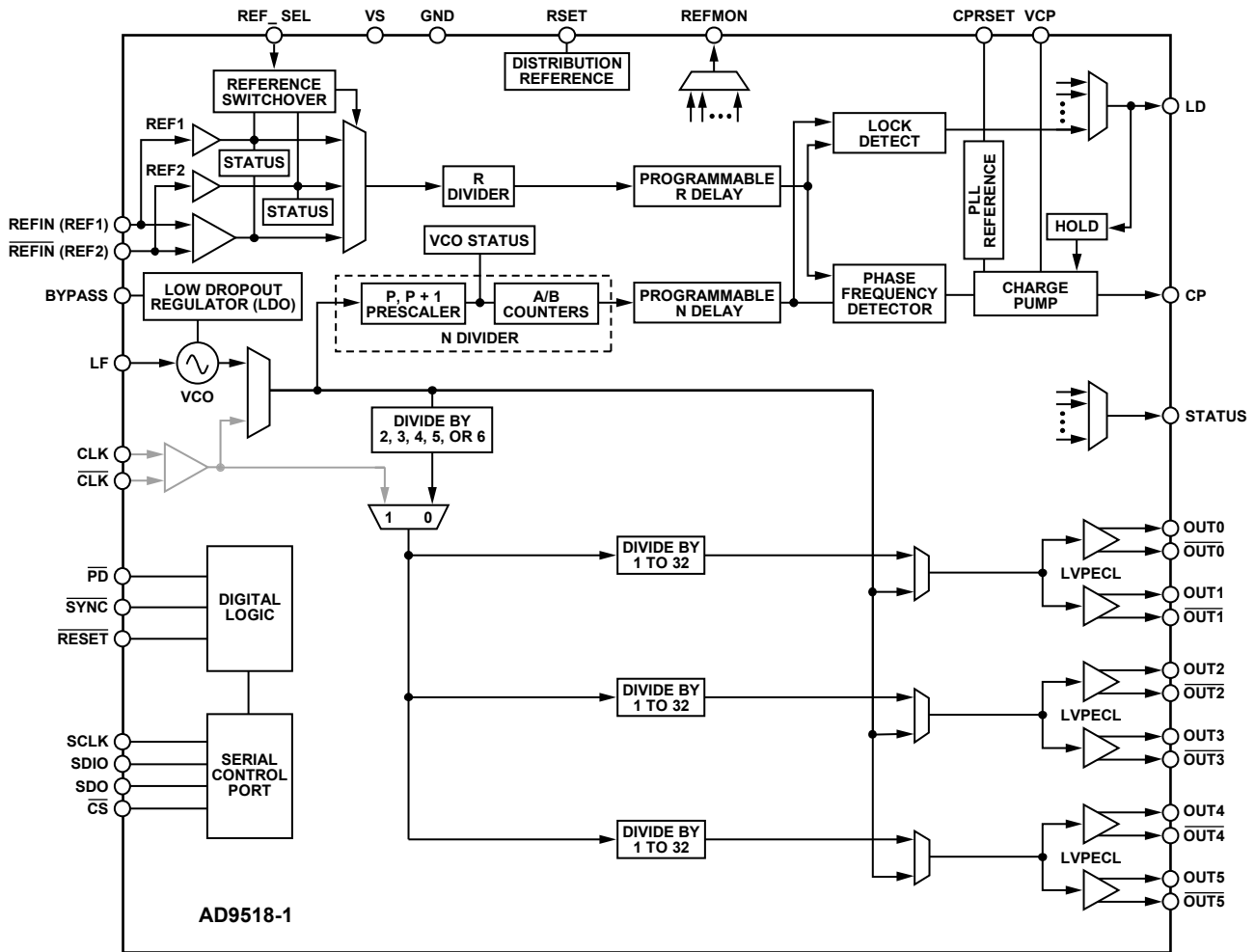


Figure 29. Internal VCO and Clock Distribution

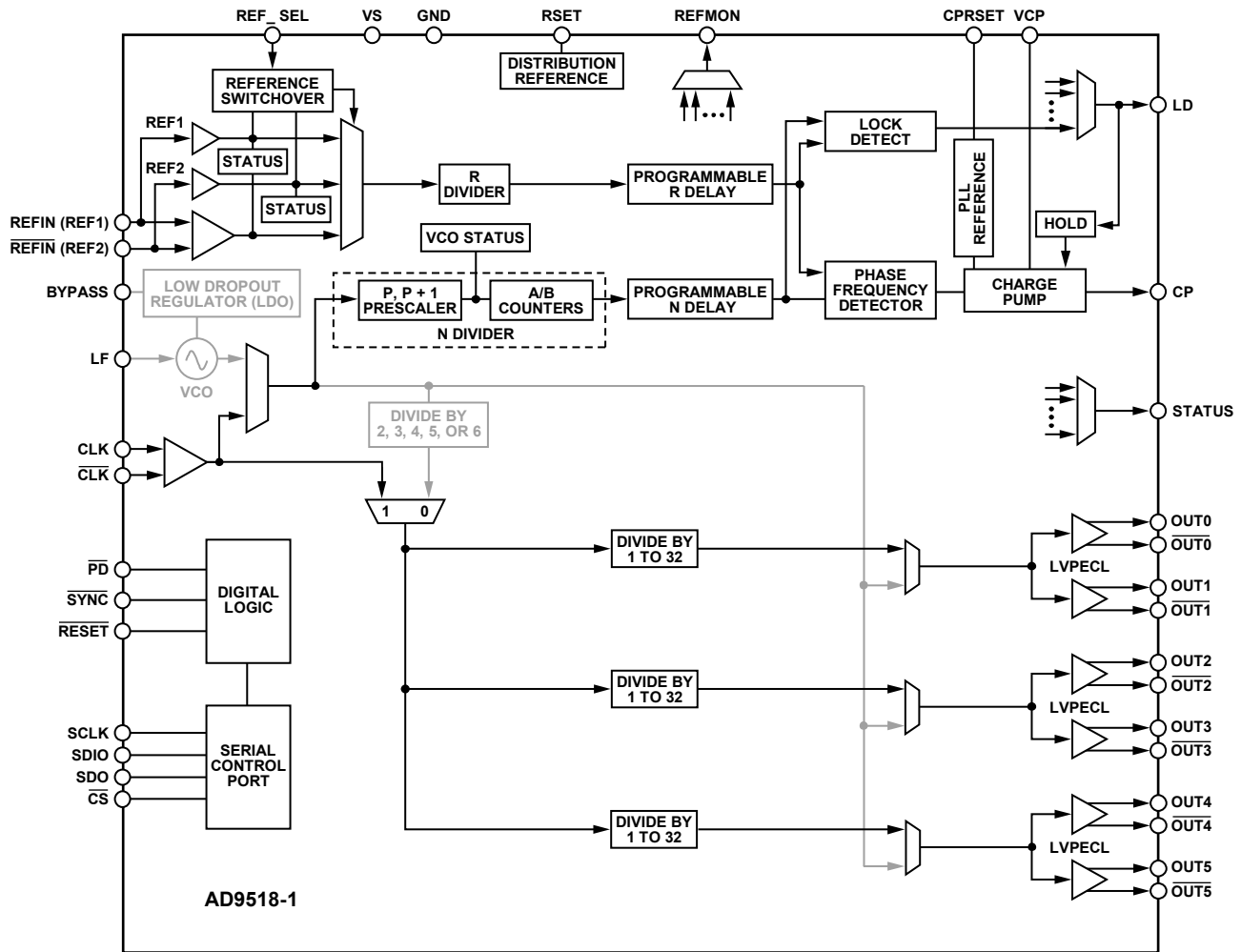


Figure 30. Clock Distribution or External VCO < 1600 MHz

**Clock Distribution or External VCO < 1600 MHz**

When the external clock source to be distributed or the external VCO/VCXO is less than 1600 MHz, a configuration that bypasses the VCO divider can be used. This configuration differs from the High Frequency Clock Distribution—CLK or External VCO > 1600 MHz section only in that the VCO divider (divide-by-2/divide-by-3/divide-by-4/divide-by-5/divide-by-6) is bypassed. This limits the frequency of the clock source to <1600 MHz (due to the maximum input frequency allowed at the channel dividers).

**Configuration and Register Settings**

For clock distribution applications where the external clock is less than 1600 MHz, use the register settings shown in Table 24.

Table 24. Settings for Clock Distribution < 1600 MHz

| Register         | Function  |
|------------------|---|
| 0x010[1:0] = 01b | PLL asynchronous power-down (PLL off)                     |
| 0x1E1[0] = 1b    | Bypass the VCO divider as source for distribution section |
| 0x1E1[1] = 0b    | CLK selected as the source                                |

When using the internal PLL with an external VCO of <1600 MHz, the PLL must be turned on.

Table 25. Settings for Using Internal PLL with External VCO < 1600 MHz

| Register         | Function   |
|------------------|--|
| 0x1E1[0] = 1b    | Bypass the VCO divider as source for distribution section  |
| 0x010[1:0] = 00b | PLL normal operation (PLL on), along with other appropriate PLL settings in Register 0x010 to Register 0x01D |

An external VCO/VCXO requires an external loop filter that must be connected between CP and the tuning pin of the VCO/VCXO. This loop filter determines the loop bandwidth and stability of the PLL. Make sure to select the proper PFD polarity for the VCO/VCXO being used.

Table 26. Setting the PFD Polarity

| Register      | Function   |
|---------------|--|
| 0x010[7] = 0b | PFD polarity positive (higher control voltage produces higher frequency) |
| 0x010[7] = 1b | PFD polarity negative (higher control voltage produces lower frequency)  |

After the appropriate register values are programmed, Register 0x232 must be set to 0x01 for the values to take effect.

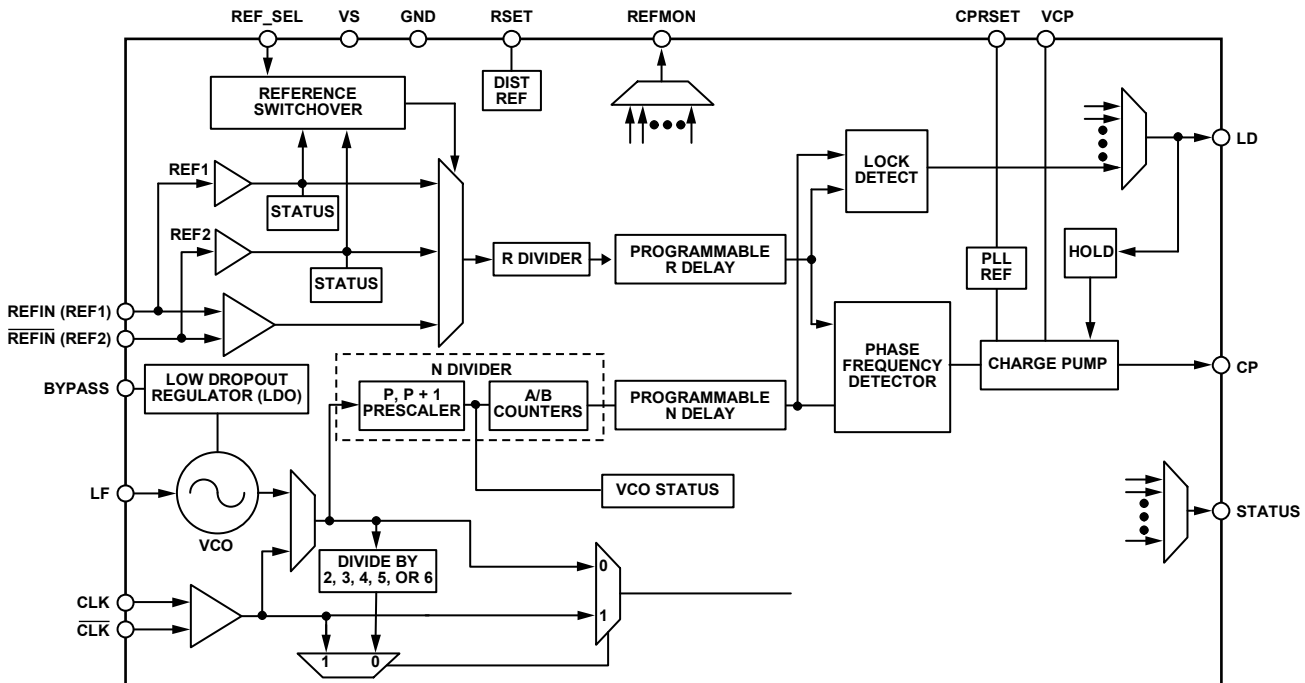
**Phase-Locked Loop (PLL)**

Figure 31. PLL Functional Blocks

The AD9518 includes an on-chip PLL with an on-chip VCO. The PLL blocks can be used either with the on-chip VCO to create a complete phase-locked loop, or with an external VCO or VCXO. The PLL requires an external loop filter, which usually consists of a small number of capacitors and resistors. The configuration and components of the loop filter help to establish the loop bandwidth and stability of the operating PLL.

The AD9518 PLL is useful for generating clock frequencies from a supplied reference frequency. This includes conversion of reference frequencies to much higher frequencies for subsequent division and distribution. In addition, the PLL can be exploited to clean up jitter and phase noise on a noisy reference. The exact choices of PLL parameters and loop dynamics are very application specific. The flexibility and depth of the AD9518 PLL allow the part to be tailored to function in many different applications and signal environments.

**Configuration of the PLL**

The AD9518 allows flexible configuration of the PLL, accommodating various reference frequencies, PFD comparison frequencies, VCO frequencies, internal or external VCO/VCXO, and loop dynamics. This is accomplished by the various settings that include the R divider, the N divider, the PFD polarity (only applicable to external VCO/VCXO), the antibracklash pulse width, the charge pump current, the selection of internal VCO or external VCO/VCXO, and the loop bandwidth. These are

managed through programmable register settings (see Table 42 and Table 44) and by the design of the external loop filter. Successful PLL operation and satisfactory PLL loop performance are highly dependent upon proper configuration of the PLL settings. The design of the external loop filter is crucial to the proper operation of the PLL. A thorough knowledge of PLL theory and design is helpful.

ADIsimCLK™ (V1.2 or later) is a free program that can help with the design and exploration of the capabilities and features of the AD9518, including the design of the PLL loop filter. It is available at [www.analog.com/clocks](http://www.analog.com/clocks).

**Phase Frequency Detector (PFD)**

The PFD takes inputs from the R counter and N counter and produces an output proportional to the phase and frequency difference between them. The PFD includes a programmable delay element that controls the width of the antibracklash pulse. This pulse ensures that there is no dead zone in the PFD transfer function and minimizes phase noise and reference spurs. The antibracklash pulse width is set by Register 0x017[1:0].

An important limit to keep in mind is the maximum frequency allowed into the PFD, which in turn determines the correct antibracklash pulse setting. The antibracklash pulse setting is specified in the phase/frequency detector parameter of Table 2.

### Charge Pump (CP)

The charge pump is controlled by the PFD. The PFD monitors the phase and frequency relationship between its two inputs, and tells the CP to pump up or pump down to charge or discharge the integrating node (part of the loop filter). The integrated and filtered CP current is transformed into a voltage that drives the tuning node of the internal VCO through the LF pin (or the tuning pin of an external VCO) to move the VCO frequency up or down. The CP can be set (Register 0x010[6:4]) for high impedance (allows holdover operation), for normal operation (attempts to lock the PLL loop), for pump up, or for pump down (test modes). The CP current is programmable in eight steps from (nominally) 600  $\mu\text{A}$  to 4.8 mA. The exact value of the CP current LSB is set by the CPRSET resistor, which is nominally 5.1 k $\Omega$ . If the value of the resistor connected to the CP\_RSET pin is doubled, the resulting charge pump current range becomes 300  $\mu\text{A}$  to 2.4 mA.

### On-Chip VCO

The AD9518 includes an on-chip VCO that covers the frequency range shown in Table 2. The calibration procedure ensures that the VCO operating voltage is centered for the desired VCO frequency. The VCO must be calibrated when the VCO loop is first set up, as well as any time the nominal VCO frequency changes. However, once the VCO is calibrated, the VCO has sufficient operating range to stay locked over temperature and voltage extremes without needing additional calibration. See the VCO Calibration section for more information.

The on-chip VCO is powered by an on-chip, low dropout (LDO), linear voltage regulator. The LDO provides some isolation of the VCO from variations in the power supply voltage level. The BYPASS pin should be connected to ground by a 220 nF capacitor to ensure stability. This LDO employs the same technology used in the anyCAP® line of regulators from Analog Devices, Inc., making it insensitive to the type of capacitor used. Driving an external load from the BYPASS pin is not supported.

Note that the reference input signal must be present and the VCO divider must not be static during VCO calibration.

### PLL External Loop Filter

When using the internal VCO, the external loop filter should be referenced to the BYPASS pin for optimal noise and spurious performance. An example of an external loop filter for a PLL that uses the internal VCO is shown in Figure 32. The third-order design that is shown in Figure 32 usually offers the best performance. A loop filter must be calculated for each desired PLL configuration. The values of the components depend upon the VCO frequency, the  $K_{VCO}$ , the PFD frequency, the CP current, the desired loop bandwidth, and the desired phase margin. The loop filter affects the phase noise, loop settling time, and loop stability. A basic knowledge of PLL theory is helpful for understanding loop filter design. ADIsimCLK can help with the calculation of a loop filter according to the application requirements.

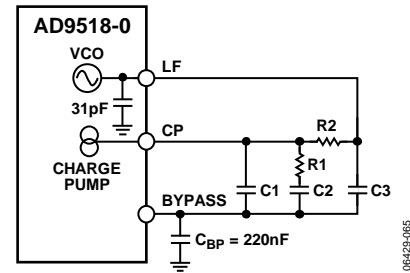


Figure 32. Example of External Loop Filter for a PLL Using the Internal VCO

When using an external VCO, the external loop filter should be referenced to ground. See Figure 33 for an example of an external loop filter for a PLL using an external VCO. For more information on suggested loop filters, see the [UG-075](#) User Guide.

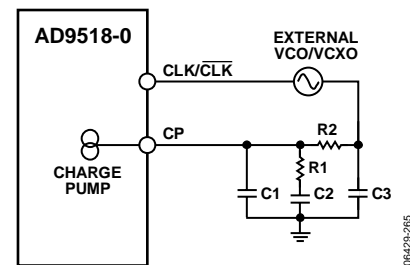


Figure 33. Example of External Loop Filter for a PLL Using an External VCO

### PLL Reference Inputs

The AD9518 features a flexible PLL reference input circuit that allows either a fully differential input or two separate single-ended inputs. The input frequency range for the reference inputs is specified in Table 2. Both the differential and the single-ended inputs are self-biased, allowing for easy ac coupling of input signals.

The differential input and the single-ended inputs share the two pins, REFIN and  $\overline{\text{REFIN}}$  (REF1 and REF2, respectively). The desired reference input type is selected and controlled by Register 0x01C (see Table 42 and Table 44).

When the differential reference input is selected, the self-bias level of the two sides is offset slightly ( $\sim 100$  mV, see Table 2) to prevent chattering of the input buffer when the reference is slow or missing. This increases the voltage swing that is required of the driver and overcomes the offset. The differential reference input can be driven by either ac-coupled LVDS or ac-coupled LVPECL signals.

The single-ended inputs can be driven by either a dc-coupled CMOS level signal or an ac-coupled sine wave or square wave. Each single-ended input can be independently powered down when not needed to increase isolation and reduce power. Either a differential or a single-ended reference must be specifically enabled. All PLL reference inputs are off by default.

The differential reference input is powered down whenever the PLL is powered down, or when the differential reference input is not selected. The single-ended buffers power down when the PLL is powered down and when their individual power down registers are set. When the differential mode is selected, the single-ended inputs are powered down.

In differential mode, the reference input pins are internally self-biased so that they can be ac-coupled via capacitors. It is possible to dc couple to these inputs. If the differential REFIN is driven by a single-ended signal, the unused side ( $\overline{\text{REFIN}}$ ) should be decoupled via a suitable capacitor to a quiet ground. Figure 34 shows the equivalent circuit of REFIN.

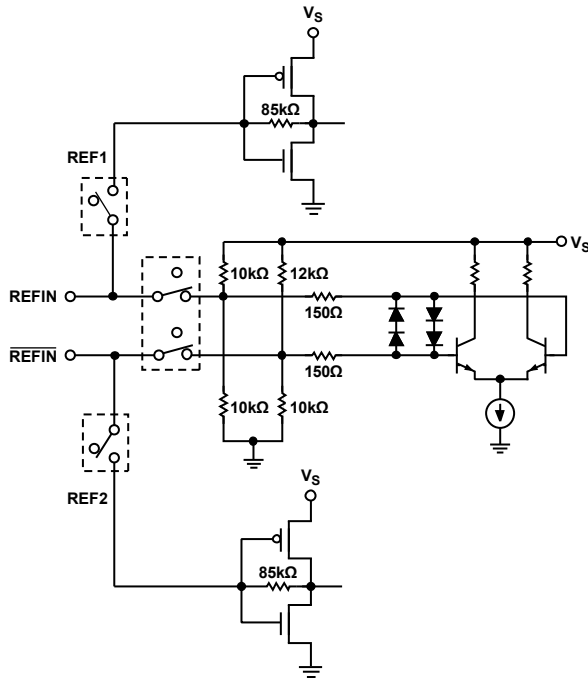


Figure 34. REFIN Equivalent Circuit

### Reference Switchover

The AD9518 supports dual single-ended CMOS inputs, as well as a single differential reference input. In the dual single-ended reference mode, the AD9518 supports automatic and manual PLL reference clock switching between REF1 (on Pin REF1) and REF2 (on Pin REF2). This feature supports networking and other applications that require smooth switching of redundant references. When used in conjunction with the automatic holdover function, the AD9518 can achieve a worst-case reference input switchover with an output frequency disturbance as low as 10 ppm.

When using reference switchover, the single-ended reference inputs should be dc-coupled CMOS levels and never be allowed to go to high impedance. If these inputs are allowed to go to high impedance, noise may cause the buffer to chatter, causing a false detection of the presence of a reference.

Reference switchover can be performed manually or automatically. Manual switchover is performed either through Register 0x01C or by using the REF\_SEL pin. Manual switchover requires the presence of a clock on the reference input that is being switched to, or that the deglitching feature be disabled (Register 0x01C[7]). The reference switching logic fails if this condition is not met, and the PLL does not reacquire.

Automatic revertive switchover relies on the REFMON pin to indicate when REF1 disappears. By programming Register 0x01B = 0xF7 and Register 0x01C = 0x26, the REFMON pin is programmed to be high when REF1 is invalid, which commands the switch to REF2. When REF1 is valid again, the REFMON pin goes low, and the part again locks to REF1. It is also possible to use the STATUS pin for this function, and REF2 can be used as the preferred reference.

A switchover deglitch feature ensures that the PLL does not receive rising edges that are far out of alignment with the newly selected reference.

Automatic nonrevertive switching is not supported.

### Reference Divider R

The reference inputs are routed to the reference divider, R. R (a 14-bit counter) can be set to any value from 0 to 16,383 by writing to Register 0x011 and Register 0x012. (Both R = 0 and R = 1 give divide-by-1.) The output of the R divider goes to one of the PFD inputs to be compared with the VCO frequency divided by the N divider. The frequency applied to the PFD must not exceed the maximum allowable frequency, which depends on the antibacklash pulse setting (see Table 2).

The R counter has its own reset. The R counter can be reset using the shared reset bit of the R, A, and B counters. It can also be reset by a SYNC operation.

### VCO/VCO Feedback Divider N—P, A, B, R

The N divider is a combination of a prescaler (P) and two counters, A and B. The total divider value is

$$N = (P \times B) + A$$

where the value of P can be 2, 4, 8, 16, or 32.

### Prescaler

The prescaler of the AD9518 allows for two modes of operation: a fixed divide (FD) mode of 1, 2, or 3, and a dual modulus (DM) mode where the prescaler divides by P and (P + 1) {2 and 3, 4 and 5, 8 and 9, 16 and 17, or 32 and 33}. The prescaler modes of operation are given in Table 44, Register 0x016[2:0]. Not all modes are available at all frequencies (see Table 2).

When operating the AD9518 in dual modulus mode (P//P + 1), the equation used to relate input reference frequency to VCO output frequency is

$$f_{VCO} = (f_{REF}/R) \times (P \times B + A) = f_{REF} \times N/R$$

However, when operating the prescaler in an FD mode of 1, 2, or 3, the A counter is not used (A = 0) and the equation simplifies to

$$f_{VCO} = (f_{REF}/R) \times (P \times B) = f_{REF} \times N/R$$

When A = 0, the divide is a fixed divide of P = 2, 4, 8, 16, or 32, in which case the previous equation also applies.

By using combinations of the DM and FD modes, the AD9518 can achieve values of N all the way down to N = 1 and up to N = 262,175. Table 27 shows how a 10 MHz reference input can be locked to any integer multiple of N.

Note that the same value of N can be derived in different ways, as illustrated by the case of N = 12. The user can choose a fixed divide mode of P = 2 with B = 6, use the dual modulus mode of 2/3 with A = 0, B = 6, or use the dual modulus mode of 4/5 with A = 0, B = 3.

The maximum frequency into the prescaler in 2/3 dual-modulus mode is limited to 200 MHz. There are only two cases where this frequency limitation limits the flexibility of that N divider: N = 7 and N = 11. In these two cases, the maximum frequency into the prescaler is 300 MHz and is achieved by using the P = 1 FD mode. In all other cases, the user can achieve the desired N divider value by using the other prescaler modes.

### A and B Counters

The B counter must be  $\geq 3$  or bypassed, and, unlike the R counter, A = 0 is actually zero.

When the prescaler is in dual modulus mode, the A counter must be less than the B counter.

The maximum input frequency to the A/B counter is reflected in the maximum prescaler output frequency (~300 MHz) that is specified in Table 2. This is the prescaler input frequency (VCO or

CLK) divided by P. For example, a dual modulus mode of P = 8/9 is not allowed if the VCO frequency is greater than 2400 MHz because the frequency going to the A/B counter is too high.

When the AD9518 B counter is bypassed (B = 1), the A counter should be set to 0, and the overall resulting divide is equal to the prescaler setting, P. The possible divide ratios in this mode are 1, 2, 3, 4, 8, 16, and 32. This mode is useful only when an external VCO/VCXO is used because the frequency range of the internal VCO requires an overall feedback divider greater than 32.

Although manual reset is not normally required, the A/B counters have their own reset bit. Alternatively, the A and B counters can be reset using the shared reset bit of the R, A, and B counters. Note that these reset bits are not self-clearing.

### R, A, and B Counters— $\overline{\text{SYNC}}$ Pin Reset

The R, A, and B counters can also be reset simultaneously through the  $\overline{\text{SYNC}}$  pin. This function is controlled by Register 0x019[7:6] (see Table 44). The  $\overline{\text{SYNC}}$  pin reset is disabled by default.

### R and N Divider Delays

Both the R and N dividers feature a programmable delay cell. These delays can be enabled to allow adjustment of the phase relationship between the PLL reference clock and the VCO or CLK. Each delay is controlled by three bits. The total delay range is about 1 ns. See Register 0x019 in Table 44.

**Table 27. Using a 10 MHz Reference Input to Generate Different VCO Frequencies**

| f <sub>REF</sub><br>(MHz) | R  | P  | A  | B  | N    | f <sub>VCO</sub><br>(MHz) | Mode | Comments/Conditions   |
|---------------------------|----|----|----|----|------|---------------------------|------|---|
| 10                        | 1  | 1  | X  | 1  | 1    | 10                        | FD   | P = 1, B = 1 (A and B counters are bypassed).   |
| 10                        | 1  | 2  | X  | 1  | 2    | 20                        | FD   | P = 2, B = 1 (A and B counters are bypassed).   |
| 10                        | 1  | 1  | X  | 3  | 3    | 30                        | FD   | A counter is bypassed.  |
| 10                        | 1  | 1  | X  | 4  | 4    | 40                        | FD   | A counter is bypassed.  |
| 10                        | 1  | 1  | X  | 5  | 5    | 50                        | FD   | A counter is bypassed.  |
| 10                        | 1  | 2  | X  | 3  | 6    | 60                        | FD   | A counter is bypassed.  |
| 10                        | 1  | 2  | 0  | 3  | 6    | 60                        | DM   |   |
| 10                        | 1  | 2  | 1  | 3  | 7    | 70                        | DM   | Maximum frequency into prescaler in P = 2/3 mode is 200 MHz. If N = 7 or N = 11 is desired for prescaler input frequency of 200 MHz to 300 MHz, use P = 1, and N = 7 or 11, respectively. |
| 10                        | 1  | 2  | 2  | 3  | 8    | 80                        | DM   |   |
| 10                        | 1  | 2  | 1  | 4  | 9    | 90                        | DM   |   |
| 10                        | 1  | 8  | 6  | 18 | 150  | 1500                      | DM   |   |
| 10                        | 1  | 8  | 7  | 18 | 151  | 1510                      | DM   |   |
| 10                        | 1  | 16 | 7  | 9  | 151  | 1510                      | DM   |   |
| 10                        | 10 | 32 | 6  | 47 | 1510 | 1510                      | DM   |   |
| 10                        | 1  | 8  | 0  | 25 | 200  | 2000                      | DM   |   |
| 10                        | 1  | 16 | 14 | 16 | 270  | 2700                      | DM   | P = 8 is not allowed (2700 ÷ 8 > 300 MHz).<br>P = 32 is not allowed (A > B is not allowed).   |
| 10                        | 10 | 32 | 22 | 84 | 2710 | 2710                      | DM   | P = 32, A = 22, B = 84.<br>P = 16 is also permitted.  |

**DIGITAL LOCK DETECT (DLD)**

By selecting the proper output through the mux on each pin, the DLD function can be made available at the LD, STATUS, and REFMON pins. The DLD circuit indicates a lock when the time difference of the rising edges at the PFD inputs is less than a specified value (the lock threshold). The loss of a lock is indicated when the time difference exceeds a specified value (the unlock threshold). Note that the unlock threshold is wider than the lock threshold, which allows some phase error in excess of the lock window to occur without chattering on the lock indicator.

The lock detect window timing depends on three settings: the digital lock detect window bit (Register 0x018[4]), the antibacklash pulse width setting (Register 0x017[1:0], see Table 2), and the lock detect counter (Register 0x018[6:5]). A lock is not indicated until there is a programmable number of consecutive PFD cycles with a time difference that is less than the lock detect threshold. The lock detect circuit continues to indicate a lock until a time difference greater than the unlock threshold occurs on a single subsequent cycle. For the lock detect to work properly, the period of the PFD frequency must be greater than the unlock threshold. The number of consecutive PFD cycles required for lock is programmable (Register 0x018[6:5]).

**Analog Lock Detect (ALD)**

The AD9518 provides an ALD function that can be selected for use at the LD pin. There are two versions of ALD, as follows:

- N-channel open-drain lock detect. This signal requires a pull-up resistor to the positive supply,  $V_S$ . The output is normally high with short, low-going pulses. Lock is indicated by the minimum duty cycle of the low-going pulses.
- P-channel open-drain lock detect. This signal requires a pull-down resistor to GND. The output is normally low with short, high-going pulses. Lock is indicated by the minimum duty cycle of the high-going pulses.

The analog lock detect function requires an R-C filter to provide a logic level indicating lock/unlock.

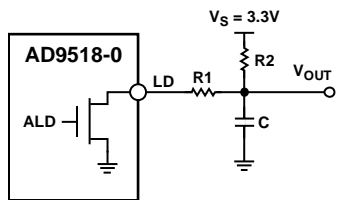


Figure 35. Example of Analog Lock Detect Filter Using an N-Channel Open-Drain Driver

**Current Source Digital Lock Detect (DLD)**

During the PLL locking sequence, it is normal for the DLD signal to toggle a number of times before remaining steady when the PLL is completely locked and stable. There may be applications where it is desirable to have DLD asserted only after the PLL is solidly locked. This is made possible by using the current source lock detect function.

This function is set when it is selected as the output from the LD pin control (Register 0x01A[5:0]). The current source lock detect provides a current of 110  $\mu$ A when DLD is true, and it shorts to ground when DLD is false. If a capacitor is connected to the LD pin, it charges at a rate that is determined by the current source during the DLD true time but is discharged nearly instantly when DLD is false. By monitoring the voltage at the LD pin (top of the capacitor), it is possible to get a logic high level only after the DLD has been true for a sufficiently long time. Any momentary DLD false resets the charging. By selecting a properly sized capacitor, it is possible to delay a lock detect indication until the PLL is stably locked and the lock detect does not chatter.

The voltage on the capacitor can be sensed by an external comparator connected to the LD pin. However, there is an internal LD pin comparator that can be read at the REFMON pin control (Register 0x01B[4:0]) or the STATUS pin control (Register 0x017[7:2]) as an active high signal. It is also available as an active low signal (REFMON, Register 0x01B[4:0] and STATUS, Register 0x017[7:2]). The internal LD pin comparator trip point and hysteresis are listed in Table 15.

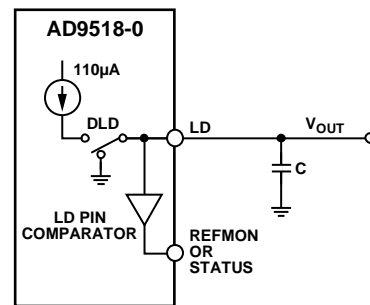


Figure 36. Current Source Digital Lock Detect

**External VCXO/VCO Clock Input (CLK/CLK)**

CLK is a differential input that can be used as an input to drive the AD9518 clock distribution section. This input can receive up to 2.4 GHz. The pins are internally self-biased, and the input signal should be ac-coupled via capacitors.

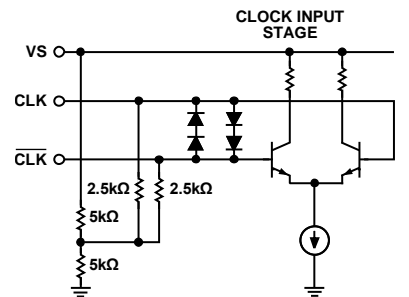


Figure 37. CLK Equivalent Input Circuit

The CLK/CLK input can be used either as a distribution-only input (with the PLL off), or as a feedback input for an external VCO/VCXO using the internal PLL when the internal VCO is not used. The CLK/CLK input can be used for frequencies up to 2.4 GHz.

**Holdover**

The AD9518 PLL has a holdover function, which is implemented by putting the charge pump into a state of high impedance. This is useful when the PLL reference clock is lost. Holdover mode allows the VCO to maintain a relatively constant frequency even though there is no reference clock. Without this function, the charge pump is placed into a constant pump-up or pump-down state, resulting in a massive VCO frequency shift. Because the charge pump is placed in a high impedance state, any leakage that occurs at the charge pump output or the VCO tuning node causes a drift of the VCO frequency. This can be mitigated by using a loop filter that contains a large capacitive component because this drift is limited by the current leakage induced slew rate ( $I_{LEAK}/C$ ) of the VCO control voltage. For most applications, the frequency accuracy is sufficient for 3 sec to 5 sec.

Both a manual holdover, using the SYNC pin, and an automatic holdover mode are provided. To use either function, the holdover function must be enabled (Register 0x01D[0] and Register 0x01D[2]).

Note that the VCO cannot be calibrated with the holdover enabled because the holdover resets the N divider during calibration, which prevents proper calibration. Disable holdover before issuing a VCO calibration.

**Manual Holdover Mode**

A manual holdover mode can be enabled that allows the user to place the charge pump into a high impedance state when the SYNC pin is asserted low. This operation is edge sensitive, not level sensitive. The charge pump enters a high impedance state immediately. To take the charge pump out of a high impedance state, take the SYNC pin high. The charge pump then leaves high impedance state synchronously with the next PFD rising edge from the reference clock. This prevents extraneous charge pump events from occurring during the time between SYNC going high and the next PFD event. This also means that the charge pump stays in a high impedance state as long as there is no reference clock present.

The B-counter (in the N divider) is reset synchronously with the charge pump leaving the high impedance state on the reference path PFD event. This helps align the edges out of the R and N dividers for faster settling of the PLL. Because the prescaler is not reset, this feature works best when the B and R numbers are close because this results in a smaller phase difference for the loop to settle out.

When using this mode, set the channel dividers to ignore the SYNC pin (at least after an initial SYNC event). If the dividers are not set to ignore the SYNC pin, the distribution outputs turn off each time SYNC is taken low to put the part into holdover.

**Automatic/Internal Holdover Mode**

When enabled, this function automatically puts the charge pump into a high impedance state when the loop loses lock. The assumption is that the only reason the loop loses lock is due to the PLL losing the reference clock; therefore, the holdover function puts the charge pump into a high impedance state to maintain the VCO frequency as close as possible to the original frequency before the reference clock disappears. See Figure 38 for a flow chart of the automatic/internal holdover function operation.

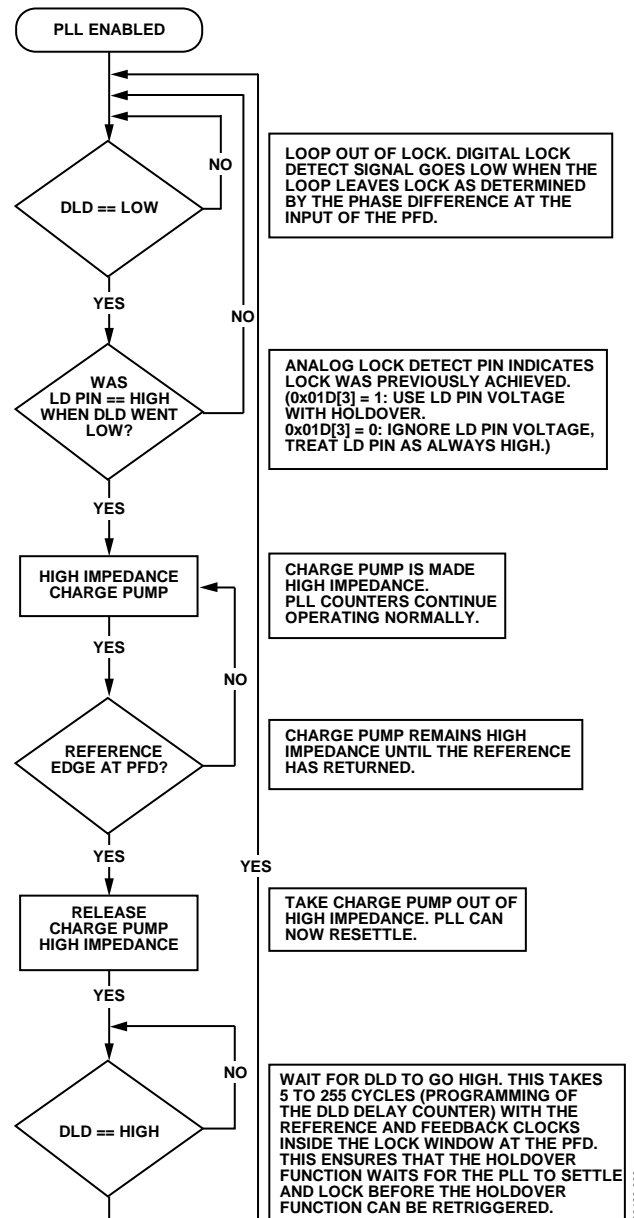


Figure 38. Flow Chart of Automatic/Internal Holdover Mode



The holdover function senses the logic level of the LD pin as a condition to enter holdover. The signal at LD can be from the DLD, ALD, or current source LD mode. It is possible to disable the LD comparator (Register 0x01D[3]), which causes the holdover function to always sense LD as high. If DLD is used, it is possible for the DLD signal to chatter some while the PLL is reacquiring lock. The holdover function may retrigger, thereby preventing the holdover mode from ever terminating. Use of the current source lock detect mode is recommended to avoid this situation (see the Current Source Digital Lock Detect section).

Once in holdover mode, the charge pump stays in a high impedance state as long as there is no reference clock present.

As in the external holdover mode, the B counter (in the N divider) is reset synchronously with the charge pump leaving the high impedance state on the reference path PFD event. This helps to align the edges out of the R and N dividers for faster settling of the PLL and to reduce frequency errors during settling. Because the prescaler is not reset, this feature works best when the B and R numbers are close because this results in a smaller phase difference for the loop to settle out.

After leaving holdover, the loop then reacquires lock and the LD pin must charge (if Register 0x01D[3] = 1) before it can re-enter holdover (CP high impedance).

The holdover function always responds to the state of the currently selected reference (Register 0x01C). If the loop loses lock during a reference switchover (see the Reference Switchover section), holdover is triggered briefly until the next reference clock edge at the PFD.

The following registers affect automatic/internal holdover:

- Register 0x018[6:5], lock detect counter. These bits change the number of consecutive PFD cycles with edges inside the lock detect window that are required for the DLD indicator to indicate lock. This impacts the time required before the LD pin can begin to charge, as well as the delay from the end of a holdover event until the holdover function can be re-engaged.
- Register 0x018[3], disable digital lock detect. This bit must be set to 0b to enable the DLD circuit. Automatic/internal holdover does not operate correctly without the DLD function enabled.
- Register 0x01A[5:0], lock detect pin output select. Set these bits to 000100b for the current source lock detect mode if using the LD pin comparator. Load the LD pin with a capacitor of an appropriate value.

- Register 0x01D[3], enable LD pin comparator. 1 = enable; 0 = disable. When disabled, the holdover function always senses the LD pin as high.
- Register 0x01D[1], enable external holdover control.
- Register 0x01D[0] and Register 0x01D[2], enable holdover function. If holdover is disabled, both external and automatic/internal holdover are disabled.

For example, to use automatic holdover with the following:

- Automatic reference switchover, prefer REF1
- Digital lock detect: five PFD cycles, high range window
- Automatic holdover using the LD pin comparator

Set the following registers (in addition to the normal PLL registers):

- Register 0x018[6:5] = 00b; lock detect counter = five cycles.
- Register 0x018[4] = 0b; lock detect window = high range.
- Register 0x018[3] = 0b; DLD normal operation.
- Register 0x01A[5:0] = 000100b; current source lock detect mode.
- Register 0x01B[7:0] = 0xF7; set REFMON pin to status of REF1 (active low).
- Register 0x01C[2:1] = 11b; enable REF1 and REF2 input buffers.
- Register 0x01D[3] = 1b; enable LD pin comparator.
- Register 0x01D[2] = 1b; enable the holdover function.
- Register 0x01D[1] = 0b; use internal/automatic holdover mode.
- Register 0x01D[0] = 1b; enable the holdover function. (VCO calibration must be complete before this bit is enabled.)
- Connect REFMON pin to REFSEL pin.

### Frequency Status Monitors

The AD9518 contains three frequency status monitors that are used to indicate if the PLL reference (or references in the case of single-ended mode) and the VCO have fallen below a threshold frequency. A diagram showing their location in the PLL is shown in Figure 39. The VCO status frequency monitor is also capable of monitoring the CLK input if the CLK input is selected as the input to the N divider.

The PLL reference frequency monitors have two threshold frequencies: normal and extended (see Table 15). The reference frequency monitor thresholds are selected in Register 0x01A. The frequency monitor status can be found in Register 0x01F, Bits[3:1].

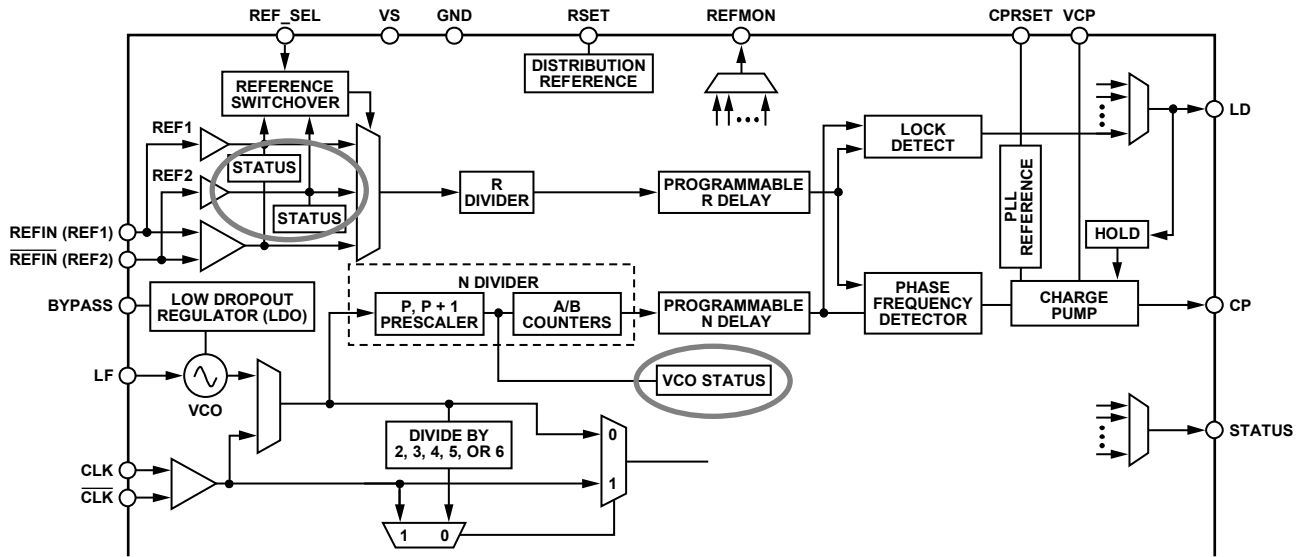


Figure 39. Reference and VCO Status Monitors

**VCO Calibration**

The AD9518 on-chip VCO must be calibrated to ensure proper operation over process and temperature. VCO calibration centers the dc voltage at the internal VCO input (at the LF pin) for the selected configuration; this is normally required only during initial configuration and any time the PLL settings change. VCO calibration is controlled by a calibration controller driven by the R divider output. The calibration requires that the input reference clock be present at the REFIN pins, and that the PLL be set up properly to lock the PLL loop. During the first initialization after a power-up or a reset of the AD9518, a VCO calibration sequence is initiated by setting Register 0x018[0] = 1b. This can be done during initial setup, before executing an update registers operation (Register 0x232[0] = 1b). Subsequent to initial setup, a VCO calibration sequence is initiated by resetting Register 0x018[0] = 0b, executing an update registers operation, setting Register 0x018[0] = 1b, and executing another update registers operation. A readback bit (Bit 6 in Register 0x1F) indicates when a VCO calibration is finished by returning a logic true (that is, 1b).

The sequence of operations for the VCO calibration is as follows:

1. Program the PLL registers to the proper values for the PLL loop. Note that that automatic holdover mode must be disabled, and the VCO divider must not be set to “Static.”
2. Ensure that the input reference signal is present.
3. For the initial setting of the registers after a power-up or reset, initiate VCO calibration by setting Register 0x018[0] = 1b. Subsequently, whenever a calibration is desired, set Register 0x018[0] = 0b, update registers; and then set Register 0x018[0] = 1b, update registers.
4. A sync operation is initiated internally, causing the outputs to go to a static state determined by normal sync function operation.
5. The VCO calibrates to the desired setting for the requested VCO frequency.

6. Internally, the SYNC signal is released, allowing outputs to continue clocking.
7. The PLL loop is closed.
8. The PLL locks.

A sync is executed during the VCO calibration; therefore, the outputs of the AD9518 are held static during the calibration, which prevents unwanted frequencies from being produced. However, at the end of a VCO calibration, the outputs may resume clocking before the PLL loop is completely settled.

The VCO calibration clock divider is set as shown in Table 44 (Register 0x018[2:1]).

The calibration divider divides the PFD frequency (reference frequency divided by R) down to the calibration clock. The calibration occurs at the PFD frequency divided by the calibration divider setting. Lower VCO calibration clock frequencies result in longer times for a calibration to be completed.

The VCO calibration clock frequency is given by

$$f_{CAL\_CLOCK} = f_{REFIN} / (R \times cal\_div)$$

where:

$f_{REFIN}$  is the frequency of the REFIN signal.

R is the value of the R divider.

$cal\_div$  is the division set for the VCO calibration divider (Register 0x018[2:1]).

The VCO calibration takes 4400 calibration clock cycles. Therefore, the VCO calibration time in PLL reference clock cycles is given by

$$Time\ to\ Calibrate\ VCO = 4400 \times R \times cal\_div\ PLL\ Reference\ Clock\ Cycles$$

**Table 28. Example Time to Complete a VCO Calibration with Different  $f_{\text{REFIN}}$  Frequencies**

| $f_{\text{REFIN}}$ (MHz) | R Divider | PFD     | Time to Calibrate VCO |
|--------------------------|-----------|---------|-----------------------|
| 100                      | 1         | 100 MHz | 88 $\mu$ s            |
| 10                       | 10        | 1 MHz   | 8.8 ms                |
| 10                       | 100       | 100 kHz | 88 ms                 |

VCO calibration must be manually initiated. This allows for flexibility in deciding what order to program registers and when to initiate a calibration, instead of having it happen every time certain PLL registers have their values change. For example, this allows for the VCO frequency to be changed by small amounts without having an automatic calibration occur each time; this should be done with caution and only when the user knows that the VCO control voltage is not going to exceed the nominal best performance limits. For example, a few 100 kHz steps are fine, but a few MHz might not be. In addition, because the calibration procedure results in rapid changes in the VCO frequency, the distribution section is automatically placed in SYNC until the calibration is finished. Therefore, this temporary loss of outputs must be expected.

A VCO calibration should be initiated under the following conditions:

- After changing any of the PLL R, P, B, and A divider settings, or after a change in the PLL reference clock frequency. This, in effect, means any time a PLL register or reference clock is changed such that a different VCO frequency results.
- Whenever system calibration is desired. The VCO is designed to operate properly over extremes of temperatures even when it is first calibrated at the opposite extreme. However, a VCO calibration can be initiated at any time, if desired.

## CLOCK DISTRIBUTION

A clock channel consists of a pair of outputs that share a common divider. A clock output consists of the drivers that connect to the output pins. The clock outputs have LVPECL signal levels at the pins.

The AD9518 has three channels, each with two LVPECL outputs, for a total of six LVPECL outputs.

Each channel has its own programmable divider that divides the clock frequency that is applied to its input. The channel dividers can divide by any integer from 2 to 32, or the divider can be bypassed to achieve a divide-by-one.

If the user wishes to use the channel dividers, the VCO divider must be used after the on-chip VCO. This is because the internal VCO frequency is above the maximum channel divider input frequency (1600 MHz). The VCO divider can be set to divide by 2, 3, 4, 5, or 6. External clock signals connected to the CLK input also require the VCO divider if the frequency of the signal is greater than 1600 MHz.

The channel dividers allow for a selection of various duty cycles, depending on the currently set division. That is, for any specific division,  $D$ , the output of the divider can be set to high for  $N + 1$  input clock cycles and low for  $M + 1$  input clock cycles (where  $D = N + M + 2$ ). For example, a divide-by-5 can be high for one divider input cycle and low for four cycles, or a divide-by-5 can be high for three divider input cycles and low for two cycles. Other combinations are also possible.

The channel dividers include a duty-cycle correction function that can be disabled. In contrast to the selectable duty cycle just described, this function can correct a non-50% duty cycle caused by an odd division. However, this requires that the division be set by  $M = N + 1$ .

In addition, the channel dividers allow a coarse phase offset or delay to be set. Depending on the division selected, the output can be delayed by up to 31 input clock cycles. The divider outputs can also be set to start high or start low.

### Internal VCO or External CLK as Clock Source

The clock distribution of the AD9518 has two clock input sources: an internal VCO or an external clock connected to the CLK/CLK pins. Either the internal VCO or CLK must be chosen as the source of the clock signal to distribute. When the internal VCO is selected as the source, the VCO divider must be used. When CLK is selected as the source, it is not necessary to use the VCO divider if the CLK frequency is less than the maximum channel divider input frequency (1600 MHz); otherwise, the VCO divider must be used to reduce the frequency to one that is acceptable by the channel dividers. Table 29 shows how the VCO, CLK, and VCO divider are selected. Register 0x1E1[1:0] selects the channel divider source and determines whether the VCO divider is used. It is not possible to select the VCO without using the VCO divider.

**Table 29. Selecting VCO or CLK as Source for Channel Divider, and Whether VCO Divider Is Used**

| Register 0x1E1 |       | Channel Divider Source | VCO Divider |
|----------------|-------|------------------------|-------------|
| Bit 1          | Bit 0 |                        |             |
| 0              | 0     | CLK                    | Used        |
| 0              | 1     | CLK                    | Not used    |
| 1              | 0     | VCO                    | Used        |
| 1              | 1     | Not allowed            | Not allowed |

### CLK or VCO Direct to LVPECL Outputs

It is possible to connect either the internal VCO or the CLK (whichever is selected as the input to the VCO divider) directly to the LVPECL outputs, OUT0 to OUT5. This configuration can pass frequencies up to the maximum frequency of the VCO directly to the LVPECL outputs. The LVPECL outputs may not be able to provide a full voltage swing at the highest frequencies.

To connect the LVPECL outputs directly to the internal VCO or CLK, the VCO divider must be selected as the source to the distribution section, even if no channel uses it.

Either the internal VCO or the CLK can be selected as the source for the direct-to-output routing.

**Table 30. Settings for Routing VCO Divider Input Directly to LVPECL Outputs**

| Register Setting | Selection                               |
|------------------|---|
| 0x1E1[1:0] = 00b | CLK is the source; VCO divider selected |
| 0x1E1[1:0] = 10b | VCO is the source; VCO divider selected |
| 0x192[1] = 1b    | Direct to OUT0 and OUT1 outputs         |
| 0x195[1] = 1b    | Direct to OUT2 and OUT3 outputs         |
| 0x198[1] = 1b    | Direct to OUT4 and OUT5 outputs         |

### Clock Frequency Division

The total frequency division is a combination of the VCO divider (when used) and the channel divider. When the VCO divider is used, the total division from the VCO or CLK to the output is the product of the VCO divider (2, 3, 4, 5, 6) and the division of the channel divider. Table 31 indicates how the frequency division for a channel is set.

**Table 31. Frequency Division for Divider 0 to Divider 2**

| CLK or VCO Selected | VCO Divider | Channel Divider | Direct to Output | Frequency Division   |
|---------------------|-------------|-----------------|------------------|----------------------|
| CLK/VCO             | 2 to 6      | 1 (bypassed)    | Yes              | 1                    |
| CLK/VCO             | 2 to 6      | 1 (bypassed)    | No               | (2 to 6) × (1)       |
| CLK/VCO             | 2 to 6      | 2 to 32         | No               | (2 to 6) × (2 to 32) |
| CLK                 | Not used    | 1 (bypassed)    | No               | 1                    |
| CLK                 | Not used    | 2 to 32         | No               | 2 to 32              |

The channel dividers feeding the LVPECL output drivers contain one 2-to-32 frequency divider. This divider provides for division by 2 to 32. Division by 1 is accomplished by bypassing the divider. The dividers also provide for a programmable duty cycle, with optional duty-cycle correction when the divide ratio is odd. A phase offset or delay in increments of the input clock cycle is selectable. The channel dividers operate with a signal at their inputs up to 1600 MHz. The features and settings of the dividers are selected by programming the appropriate setup and control registers (see Table 42 through Table 49).

### VCO Divider

The VCO divider provides frequency division between the internal VCO or the external CLK input and the clock distribution channel dividers. The VCO divider can be set to divide by 2, 3, 4, 5, or 6 (see Table 47, Register 0x1E0[2:0]).

### Channel Dividers—LVPECL Outputs

Each pair of LVPECL outputs is driven by a channel divider. There are three channel dividers (0, 1, and 2) driving a total of six LVPECL outputs (OUT0 to OUT5). Table 32 gives the register locations used for setting the division and other functions of these dividers. The division is set by the values of M and N.

The divider can be bypassed (equivalent to divide-by-1, divider circuit is powered down) by setting the bypass bit. The duty-cycle correction can be enabled or disabled according to the setting of the DCCOFF bits.

**Table 32. Setting D<sub>x</sub> for Divider 0, Divider 1, and Divider 2<sup>1</sup>**

| Divider | Low Cycles M | High Cycles N | Bypass   | DCCOFF   |
|---------|--------------|---------------|----------|----------|
| 0       | 0x190[7:4]   | 0x190[3:0]    | 0x191[7] | 0x192[0] |
| 1       | 0x193[7:4]   | 0x193[3:0]    | 0x194[7] | 0x195[0] |
| 2       | 0x196[7:4]   | 0x196[3:0]    | 0x197[7] | 0x198[0] |

<sup>1</sup> Note that the value stored in the register = # of cycles minus 1.

### Channel Frequency Division (0, 1, and 2)

For each channel (where the channel number is x: 0, 1, or 2), the frequency division, D<sub>x</sub>, is set by the values of M and N (four bits each, representing Decimal 0 to Decimal 15), where

$$\text{Number of Low Cycles} = M + 1$$

$$\text{Number of High Cycles} = N + 1$$

The cycles are cycles of the clock signal currently routed to the input of the channel dividers (VCO divider out or CLK).

When a divider is bypassed, D<sub>x</sub> = 1.

Otherwise, D<sub>x</sub> = (N + 1) + (M + 1) = N + M + 2. This allows each channel divider to divide by any integer from 2 to 32.

### Duty Cycle and Duty-Cycle Correction (0, 1, and 2)

The duty cycle of the clock signal at the output of a channel is a result of some or all of the following conditions:

- What are the M and N values for the channel?
- Is the DCC enabled?
- Is the VCO divider used?
- What is the CLK input duty cycle? (The internal VCO has a 50% duty cycle.)

The DCC function is enabled by default for each channel divider. However, the DCC function can be disabled individually for each channel divider by setting the DCCOFF bit for that channel.

Certain M and N values for a channel divider result in a non-50% duty cycle. A non-50% duty cycle can also result with an even division, if M ≠ N. The duty-cycle correction function automatically corrects non-50% duty cycles at the channel divider output to 50% duty cycle. Duty-cycle correction requires the following channel divider conditions:

- An even division must be set as M = N.
- An odd division must be set as M = N + 1.

When not bypassed or corrected by the DCC function, the duty cycle of each channel divider output is the numerical value of (N + 1)/(N + M + 2), expressed as a percentage (%).

The duty cycle at the output of the channel divider for various configurations is shown in Table 33 to Table 35.

**Table 33. Duty Cycle with VCO Divider, Input Duty Cycle Is 50%**

| VCO Divider | D <sub>x</sub>       | Output Duty Cycle       |                         |
|-------------|----------------------|-------------------------|-------------------------|
|             |                      | DCCOFF = 1              | DCCOFF = 0              |
| Even        | 1 (divider bypassed) | 50%                     | 50%                     |
| Odd = 3     | 1 (divider bypassed) | 33.3%                   | 50%                     |
| Odd = 5     | 1 (divider bypassed) | 40%                     | 50%                     |
| Even, Odd   | Even                 | (N + 1)/<br>(N + M + 2) | 50%; requires M = N     |
| Even, Odd   | Odd                  | (N + 1)/<br>(N + M + 2) | 50%; requires M = N + 1 |

**Table 34. Duty Cycle with VCO Divider, Input Duty Cycle Is X%**

| VCO Divider | D <sub>x</sub>       | Output Duty Cycle       |   |
|-------------|----------------------|-------------------------|---|
|             |                      | DCCOFF = 1              | DCCOFF = 0                                      |
| Even        | 1 (divider bypassed) | 50%                     | 50%   |
| Odd = 3     | 1 (divider bypassed) | 33.3%                   | (1 + X%)/3                                      |
| Odd = 5     | 1 (divider bypassed) | 40%                     | (2 + X%)/5                                      |
| Even        | Even                 | (N + 1)/<br>(N + M + 2) | 50%,<br>requires M = N                          |
|             | Odd                  | (N + 1)/<br>(N + M + 2) | 50%,<br>requires M = N + 1                      |
| Odd = 3     | Even                 | (N + 1)/<br>(N + M + 2) | 50%,<br>requires M = N                          |
|             | Odd                  | (N + 1)/<br>(N + M + 2) | (3N + 4 + X%)/(6N + 9),<br>requires M = N + 1   |
| Odd = 5     | Even                 | (N + 1)/<br>(N + M + 2) | 50%,<br>requires M = N                          |
|             | Odd                  | (N + 1)/<br>(N + M + 2) | (5N + 7 + X%)/(10N + 15),<br>requires M = N + 1 |

**Table 35. Channel Divider Output Duty Cycle When the VCO Divider Is Not Used**

| Input Clock Duty Cycle | D <sub>x</sub> | Output Duty Cycle       |   |
|------------------------|----------------|-------------------------|---|
|                        |                | DCCOFF = 1              | DCCOFF = 0                                      |
| Any                    | 1              | 1 (divider bypassed)    | Same as input duty cycle                        |
| Any                    | Even           | (N + 1)/<br>(M + N + 2) | 50%, requires M = N                             |
| 50%                    | Odd            | (N + 1)/<br>(M + N + 2) | 50%, requires M = N + 1                         |
| X%                     | Odd            | (N + 1)/<br>(M + N + 2) | (N + 1 + X%)/(2 × N + 3),<br>requires M = N + 1 |

The internal VCO has a duty cycle of 50%. Therefore, when the VCO is connected directly to the output, the duty cycle is 50%. If the CLK input is routed directly to the output, the duty cycle of the output is the same as the CLK input.

**Phase Offset or Coarse Time Delay (0, 1, and 2)**

Each channel divider allows for a phase offset, or a coarse time delay, to be programmed by setting register bits (see Table 36). These settings determine the number of cycles (successive rising edges) of the channel divider input frequency by which to offset, or delay, the rising edge of the output of the divider. This delay is with respect to a nondelayed output (that is, with a phase offset of zero). The amount of the delay is set by five bits loaded into the phase offset (PO) register plus the start high (SH) bit for each channel divider. When the start high bit is set, the delay is also affected by the number of low cycles (M) that are programmed for the divider.

The sync function must be used to make phase offsets effective (see the Synchronizing the Outputs—Sync Function section).

**Table 36. Setting Phase Offset and Division for Divider 0, Divider 1, and Divider 2**

| Divider | Start High (SH) | Phase Offset (PO) | Low Cycles M | High Cycles N |
|---------|-----------------|-------------------|--------------|---------------|
| 0       | 0x191[4]        | 0x191[3:0]        | 0x190[7:4]   | 0x190[3:0]    |
| 1       | 0x194[4]        | 0x194[3:0]        | 0x193[7:4]   | 0x193[3:0]    |
| 2       | 0x197[4]        | 0x197[3:0]        | 0x196[7:4]   | 0x196[3:0]    |

Let

$\Delta t$  = delay (in seconds).

$\Delta c$  = delay (in cycles of clock signal at input to D<sub>x</sub>).

T<sub>x</sub> = period of the clock signal at the input of the divider, D<sub>x</sub> (in seconds).

$$\Phi = 16 \times SH[4] + 8 \times PO[3] + 4 \times PO[2] + 2 \times PO[1] + 1 \times PO[0]$$

The channel divide-by is set as N = high cycles and M = low cycles.

**Case 1**

For  $\Phi \leq 15$ ,

$$\Delta t = \Phi \times T_x$$

$$\Delta c = \Delta t / T_x = \Phi$$

**Case 2**

For  $\Phi \geq 16$ ,

$$\Delta t = (\Phi - 16 + M + 1) \times T_x$$

$$\Delta c = \Delta t / T_x$$

By giving each divider a different phase offset, output-to-output delays can be set in increments of the channel divider input clock cycle. Figure 40 shows the results of setting such a coarse offset between outputs.

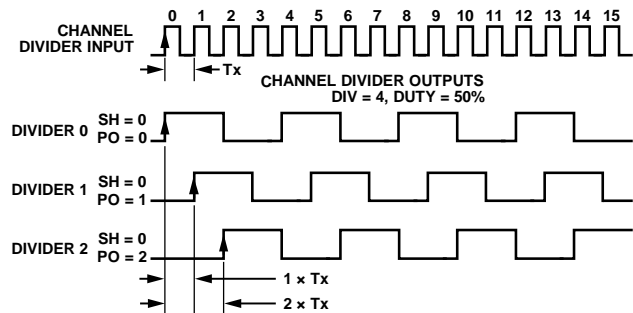


Figure 40. Effect of Coarse Phase Offset (or Delay)

**Synchronizing the Outputs—Sync Function**

The AD9518 clock outputs can be synchronized to each other. Outputs can be individually excluded from synchronization. Synchronization consists of setting the nonexcluded outputs to a preset set of static conditions and subsequently releasing these outputs to continue clocking at the same instant with the preset conditions applied. This allows for the alignment of the edges of two or more outputs or for the spacing of edges according to the coarse phase offset settings for two or more outputs.

Output synchronization is executed in several ways, as follows:

- By forcing the SYNC pin low, then releasing it (manual sync).
- By setting, then resetting, any one of the following three bits: the soft sync bit (Register 0x230[0]), the soft reset bit (Register 0x000[2] [mirrored]), and the power-down distribution reference bit (Register 0x230[1]).
- By executing synchronization of the outputs as part of the chip power-up sequence.
- By forcing the RESET pin low, then releasing it (chip reset).
- By forcing the PD pin low, then releasing (chip power-down).
- Following completion of a VCO calibration. An internal SYNC signal is automatically asserted at the beginning of a VCO calibration, then released upon its completion.

The most common way to execute the sync function is to use the SYNC pin to do a manual synchronization of the outputs. This requires a low-going signal on the SYNC pin, which is held low and then released when synchronization is desired. The timing of the sync operation is shown in Figure 41 (using the VCO divider) and Figure 42 (VCO divider not used). There is an uncertainty of up to one cycle of the clock at the input to the channel divider due to the asynchronous nature of the SYNC signal with respect to the clock edges inside the AD9518. The delay from the SYNC rising edge to the beginning of synchronized output clocking is between 14 and 15 cycles of clock at the channel divider input, plus either one cycle of the VCO divider input (see Figure 41), or one cycle of the channel divider input (see Figure 42), depending on whether the VCO divider is used. Cycles are counted from the rising edge of the signal.

Another common way to execute the sync function is by setting and resetting the soft sync bit at Register 0x230[0] (see Table 43 through Table 49 for details). Both the setting and resetting of the soft sync bit require an update all registers operation (Register 0x232[0] = 1) to take effect.

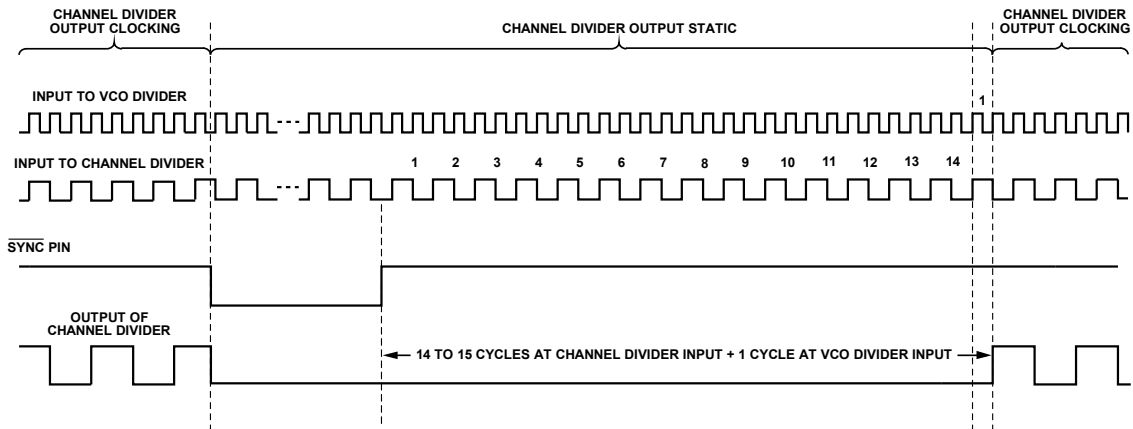


Figure 41. SYNC Timing When VCO Divider Is Used—CLK or VCO Is Input

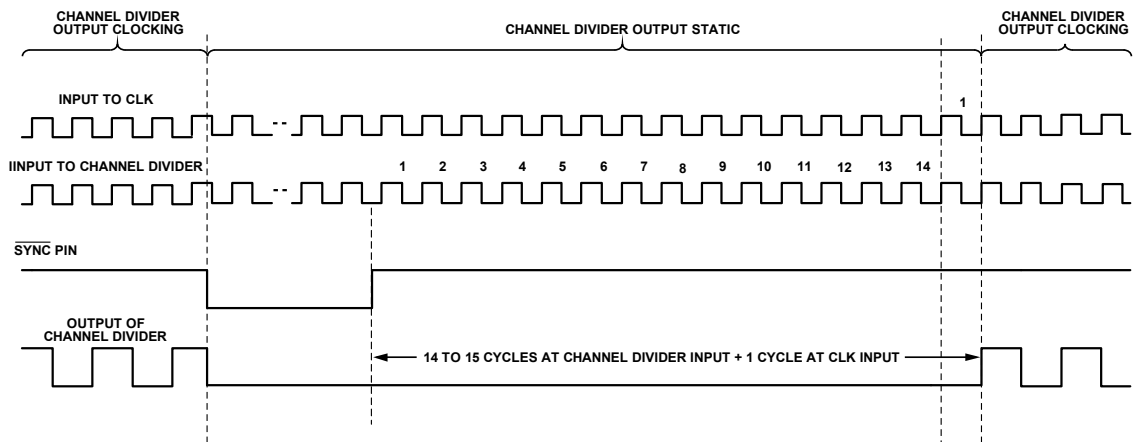


Figure 42. SYNC Timing When VCO Divider Is Not Used—CLK Input Only

A sync operation brings all outputs that have not been excluded (by the nosync bit) to a preset condition before allowing the outputs to begin clocking in synchronicity. The preset condition takes into account the settings in each of the channel's start high bit and its phase offset. These settings govern both the static state of each output when the sync operation is happening and the state and relative phase of the outputs when they begin clocking again upon completion of the sync operation. Between outputs and after synchronization, this allows for the setting of phase offsets.

The AD9518 outputs are in pairs, sharing a channel divider per pair. The synchronization conditions apply to both outputs of a pair.

Each channel (a divider and its outputs) can be excluded from any sync operation by setting the nosync bit of the channel. Channels that are set to ignore SYNC (excluded channels) do not set their outputs static during a sync operation, and their outputs are not synchronized with those of the nonexcluded channels.

### LVPECL Outputs—OUT0 to OUT3

The LVPECL differential voltage ( $V_{OD}$ ) is selectable from ~400 mV to ~960 mV (see Register 0x0F0[3:2] to Register 0x0F5[3:2]). The LVPECL outputs have dedicated pins for power supply ( $V_{S\_LVPECL}$ ), allowing a separate power supply to be used.  $V_{S\_LVPECL}$  can be from 2.5 V to 3.3 V.

The LVPECL output polarity can be set as noninverting or inverting, which allows for the adjustment of the relative polarity of outputs within an application without requiring a board layout change. Each LVPECL output can be powered down or powered up, as needed. Because of the architecture of the LVPECL output stages, there is the possibility of electrical overstress and breakdown under certain power-down conditions. For this reason, the LVPECL outputs have several power-down modes. This includes a safe power-down mode that continues to protect the output devices while powered down, although it consumes somewhat more power than a total power-down. If the LVPECL output pins are terminated, it is best to select the safe power-down mode. If the pins are left floating (that is, not connected), total power-down mode is fine.

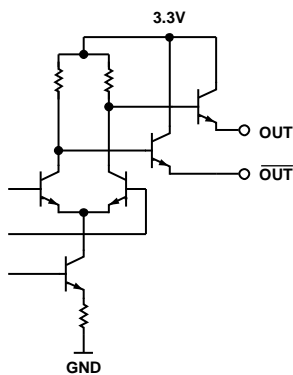


Figure 43. LVPECL Output Simplified Equivalent Circuit

## RESET MODES

The AD9518 has several ways to force the chip into a reset condition that restores all registers to their default values and makes these settings active.

### Power-On Reset—Start-Up Conditions When $V_S$ Is Applied

A power-on reset (POR) is issued when the  $V_S$  power supply is turned on. This initializes the chip to the power-on conditions that are determined by the default register settings. These are indicated in the Default Value (Hex) column of Table 42. At power-on, the AD9518 also executes a sync operation, which brings the outputs into phase alignment according to the default settings.

### Asynchronous Reset via the $\overline{RESET}$ Pin

An asynchronous hard reset is executed by momentarily pulling  $\overline{RESET}$  low. A reset restores the chip registers to the default settings.

### Soft Reset via Register 0x000[2]

A soft reset is executed by writing Register 0x000[2] and Register 0x000[5] = 1b. This bit is not self-clearing; it must be cleared by writing Register 0x000[2] and Register 0x000[5] = 0b to reset it and complete the soft reset operation. A soft reset restores the default values to the internal registers. The soft reset bit does not require an update registers command (Register 0x232) to be issued.

## POWER-DOWN MODES

### Chip Power-Down via $\overline{PD}$

The AD9518 can be put into a power-down condition by pulling the  $\overline{PD}$  pin low. Power-down turns off most of the functions and currents inside the AD9518. The chip remains in this power-down state until  $\overline{PD}$  is brought back to logic high. When the AD9518 wakes up, it returns to the settings programmed into its registers prior to the power-down, unless the registers are changed by new programming while the  $\overline{PD}$  pin is held low.

The  $\overline{PD}$  power-down shuts down the currents on the chip, except the bias current that is necessary to maintain the LVPECL outputs in a safe shutdown mode. This is needed to protect the LVPECL output circuitry from damage that could be caused by certain termination and load configurations when tristated. Because this is not a complete power-down, it can be called sleep mode.

When the AD9518 is in a  $\overline{PD}$  power-down, the chip is in the following state:

- The PLL is off (asynchronous power-down).
- The VCO is off.
- The CLK input buffer is off.
- All dividers are off.
- All LVPECL outputs are in safe off mode.
- The serial control port is active, and the chip responds to commands.

If the AD9518 clock outputs must be synchronized to each other, a SYNC is required upon exiting power-down (see the Synchronizing the Outputs—Sync Function section). A VCO calibration is not required when exiting power-down.

#### **PLL Power-Down**

The PLL section of the AD9518 can be selectively powered down. There are three PLL operating modes set by Register 0x010[1:0], as shown in Table 44.

In asynchronous power-down mode, the device powers down as soon as the registers are updated.

In synchronous power-down mode, the PLL power-down is gated by the charge pump to prevent unwanted frequency jumps. The device goes into power-down on the occurrence of the next charge pump event after the registers are updated.

#### **Distribution Power-Down**

The distribution section can be powered down by writing Register 0x230[1] = 1b. This turns off the bias to the distribution section. If the LVPECL power-down mode is normal operation (00b), it is possible for a low impedance load on that LVPECL output to draw significant current during this power-down. If the LVPECL power-down mode is set to 11b, the LVPECL output is not protected from reverse bias and may be damaged under certain termination conditions.

#### **Individual Clock Output Power-Down**

Any of the clock distribution outputs can be powered down individually by writing to the appropriate registers. The register map details the individual power-down settings for each output. The LVPECL outputs have multiple power-down modes (see Table 45), which give some flexibility in dealing with the various output termination conditions. When the mode is set to 10b, the LVPECL output is protected from reverse bias to  $2 V_{BE} + 1 V$ . If the mode is set to 11b, the LVPECL output is not protected from reverse bias and can be damaged under certain termination conditions. This setting also affects the operation when the distribution block is powered down with Register 0x230[1] = 1b (see the Distribution Power-Down section).

#### **Individual Circuit Block Power-Down**

Other AD9518 circuit blocks (such as CLK, REF1, and REF2) can be powered down individually. This gives flexibility in configuring the part for power savings whenever certain chip functions are not needed.



## SERIAL CONTROL PORT

The [AD9518](#) serial control port is a flexible, synchronous, serial communications port that allows an easy interface with many industry-standard microcontrollers and microprocessors. The [AD9518](#) serial control port is compatible with most synchronous transfer formats, including both the Motorola SPI and Intel® SSR® protocols. The serial control port allows read/write access to all registers that configure the [AD9518](#). Single or multiple byte transfers are supported, as well as MSB first or LSB first transfer formats. The [AD9518](#) serial control port can be configured for a single bidirectional I/O pin (SDIO only) or for two unidirectional I/O pins (SDIO/SDO). By default, the [AD9518](#) is in bidirectional mode, long instruction (long instruction is the only instruction mode supported).

### SERIAL CONTROL PORT PIN DESCRIPTIONS

SCLK (serial clock) is the serial shift clock. This pin is an input. SCLK is used to synchronize serial control port reads and writes. Write data bits are registered on the rising edge of this clock, and read data bits are registered on the falling edge. This pin is internally pulled down by a 30 kΩ resistor to ground.

SDIO (serial data input/output) is a dual-purpose pin that acts either as an input only (unidirectional mode) or as both an input and an output (bidirectional mode). The [AD9518](#) defaults to the bidirectional I/O mode (Register 0x000[0] = 0b).

SDO (serial data out) is used only in the unidirectional I/O mode (Register 0x000[0] = 1b) as a separate output pin for reading back data.

$\overline{\text{CS}}$  (chip select bar) is an active low control that gates the read and write cycles. When  $\overline{\text{CS}}$  is high, SDO and SDIO are in a high impedance state. This pin is internally pulled up by a 30 kΩ resistor to VS.

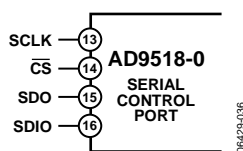


Figure 44. Serial Control Port

### GENERAL OPERATION OF SERIAL CONTROL PORT

A write or a read operation to the [AD9518](#) is initiated by pulling  $\overline{\text{CS}}$  low.

$\overline{\text{CS}}$  stalled high is supported in modes where three or fewer bytes of data (plus instruction data) are transferred (see Table 37). In these modes,  $\overline{\text{CS}}$  can temporarily return high on any byte boundary, allowing time for the system controller to process the next byte.  $\overline{\text{CS}}$  can go high on byte boundaries only and can go high during either part (instruction or data) of the transfer.

During this period, the serial control port state machine enters a wait state until all data is sent. If the system controller decides to abort the transfer before all of the data is sent, the state machine must be reset, either by completing the remaining transfers or by returning  $\overline{\text{CS}}$  low for at least one complete SCLK cycle (but less than eight SCLK cycles). Raising  $\overline{\text{CS}}$  on a nonbyte boundary terminates the serial transfer and flushes the buffer.

In streaming mode (see Table 37), any number of data bytes can be transferred in a continuous stream. The register address is automatically incremented or decremented (see the MSB/LSB First Transfers section).  $\overline{\text{CS}}$  must be raised at the end of the last byte to be transferred, thereby ending the stream mode.

#### Communication Cycle—Instruction Plus Data

There are two parts to a communication cycle with the [AD9518](#). The first part writes a 16-bit instruction word into the [AD9518](#), coincident with the first 16 SCLK rising edges. The instruction word provides the [AD9518](#) serial control port with information regarding the data transfer, which is the second part of the communication cycle. The instruction word defines whether the upcoming data transfer is a read or a write, the number of bytes in the data transfer, and the starting register address for the first byte of the data transfer.

#### Write

If the instruction word is for a write operation, the second part is the transfer of data into the serial control port buffer of the [AD9518](#). Data bits are registered on the rising edge of SCLK.

The length of the transfer (1, 2, 3 bytes or streaming mode) is indicated by two bits ([W1:W0]) in the instruction byte. When the transfer is 1, 2, or 3 bytes, but not streaming,  $\overline{\text{CS}}$  can be raised after each sequence of eight bits to stall the bus (except after the last byte, where it ends the cycle). When the bus is stalled, the serial transfer resumes when  $\overline{\text{CS}}$  is lowered. Raising  $\overline{\text{CS}}$  on a nonbyte boundary resets the serial control port. During a write, streaming mode does not skip over reserved or blank registers; therefore, the user must know the bit pattern to write to the reserved registers to preserve proper operation of the part. Refer to the control register map (see Table 42) to determine if the default value for reserved registers is nonzero. It does not matter what data is written to blank registers.

Because data is written into a serial control port buffer area, and not directly into the actual control registers of the [AD9518](#), an additional operation is needed to transfer the serial control port buffer contents to the actual control registers of the [AD9518](#), thereby causing them to become active. The update registers operation consists of setting Register 0x232[0] = 1b (this bit is self-clearing). Any number of bytes of data can be changed before an update registers operation is executed. The update registers operation simultaneously actuates all register changes that have been written to the buffer since any previous update.

**Read**

If the instruction word is for a read operation, the next  $N \times 8$  SCLK cycles clock out the data from the address specified in the instruction word, where N is 1 to 3 as determined by [W1:W0]. If  $N = 4$ , the read operation is in streaming mode, continuing until CS is raised. Streaming mode does not skip over reserved or blank registers. The readback data is valid on the falling edge of SCLK.

The default mode of the AD9518 serial control port is the bidirectional mode. In bidirectional mode, both the sent data and the readback data appear on the SDIO pin. It is also possible to set the AD9518 to unidirectional mode via the SDO active bit, Register 0x000[0] = 1b. In unidirectional mode, the readback data appears on the SDO pin.

A readback request reads the data that is in the serial control port buffer area, or the data that is in the active registers (see Figure 45). Readback of the buffer or active registers is controlled by Register 0x004[0].

The AD9518 supports only the long instruction mode; therefore, Register 0x000[4:3] must be set to 11b. (This register uses mirrored bits.) Long instruction mode is the default at power-up or reset.

The AD9518 uses Register Address 0x000 to Register Address 0x232.

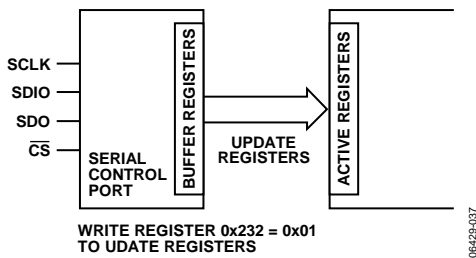


Figure 45. Relationship Between Serial Control Port Buffer Registers and Active Registers of the AD9518

**THE INSTRUCTION WORD (16 BITS)**

The MSB of the instruction word is  $\overline{R/W}$ , which indicates whether the instruction is a read or a write. The next two bits, [W1:W0], indicate the length of the transfer in bytes. The final 13 bits are the address ([A12:A0]) at which to begin the read or write operation.

For a write, the instruction word is followed by the number of bytes of data indicated by Bits[W1:W0] (see Table 37).

**Table 37. Byte Transfer Count**

| W1 | W0 | Bytes to Transfer |
|----|----|-------------------|
| 0  | 0  | 1                 |
| 0  | 1  | 2                 |
| 1  | 0  | 3                 |
| 1  | 1  | Streaming mode    |

The 13 bits found in [A12:A0] select the address within the register map that is written to or read from during the data transfer portion of the communications cycle. Only Bits[A9:A0] are needed to cover the range of the 0x232 registers used by the AD9518. Bits[A12:A10] must always be set to 0b. For multibyte transfers, this address is the starting byte address. In MSB first mode, subsequent bytes decrement the address.

**MSB/LSB FIRST TRANSFERS**

The AD9518 instruction word and byte data can be MSB first or LSB first. Any data written to Register 0x000 must be mirrored; the upper four bits (Bits[7:4]) with the lower four bits (Bits[3:0]). This makes it irrelevant whether LSB first or MSB first is in effect. As an example of this mirroring, see the default setting for this register: 0x18, which mirrors Bit 4 and Bit 3. This sets the long instruction mode (which is the default and the only mode that is supported).

The default for the AD9518 is MSB first.

When LSB first is set by Register 0x000[1] and Register 0x000[6], it takes effect immediately because it affects only the operation of the serial control port and does not require that an update be executed.

When MSB first mode is active, the instruction and data bytes must be written from MSB to LSB. Multibyte data transfers in MSB first format start with an instruction byte that includes the register address of the most significant data byte. Subsequent data bytes must follow in order from the high address to the low address. In MSB first mode, the serial control port internal address generator decrements for each data byte of the multibyte transfer cycle.

When LSB first is active, the instruction and data bytes must be written from LSB to MSB. Multibyte data transfers in LSB first format start with an instruction byte that includes the register address of the least significant data byte followed by multiple data bytes. The internal byte address generator of the serial control port increments for each byte of the multibyte transfer cycle.

The AD9518 serial control port register address decrements from the register address just written toward 0x000 for multibyte I/O operations if the MSB first mode is active (default). If the LSB first mode is active, the register address of the serial control port increments from the address just written toward Register Address 0x232 for multibyte I/O operations.

Streaming mode always terminates when it hits Address 0x232. Note that unused addresses are not skipped during multibyte I/O operations.

**Table 38. Streaming Mode (No Addresses Are Skipped)**

| Write Mode | Address Direction | Stop Sequence             |
|------------|-------------------|---------------------------|
| LSB first  | Increment         | 0x230, 0x231, 0x232, stop |
| MSB first  | Decrement         | 0x001, 0x000, 0x232, stop |

Table 39. Serial Control Port, 16-Bit Instruction Word, MSB First

| MSB |     |     |         |         |         |    |    |    |    |    |    |    | LSB |    |    |
|-----|-----|-----|---------|---------|---------|----|----|----|----|----|----|----|-----|----|----|
| I15 | I14 | I13 | I12     | I11     | I10     | I9 | I8 | I7 | I6 | I5 | I4 | I3 | I2  | I1 | I0 |
| R/W | W1  | W0  | A12 = 0 | A11 = 0 | A10 = 0 | A9 | A8 | A7 | A6 | A5 | A4 | A3 | A2  | A1 | A0 |

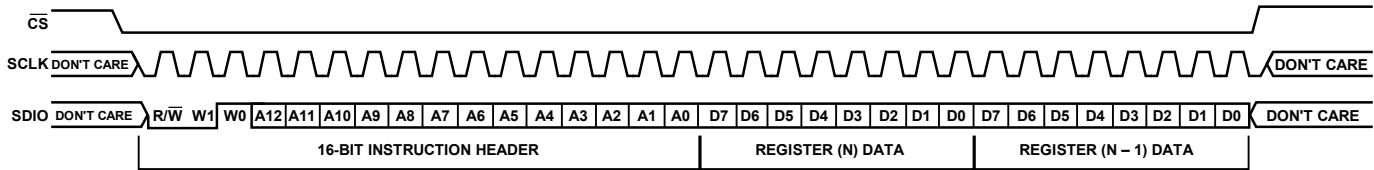


Figure 46. Serial Control Port Write—MSB First, 16-Bit Instruction, Two Bytes Data

06429-038

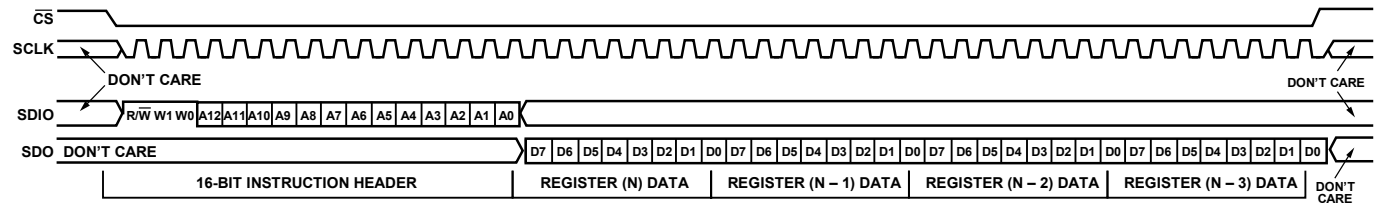


Figure 47. Serial Control Port Read—MSB First, 16-Bit Instruction, Four Bytes Data

06429-039

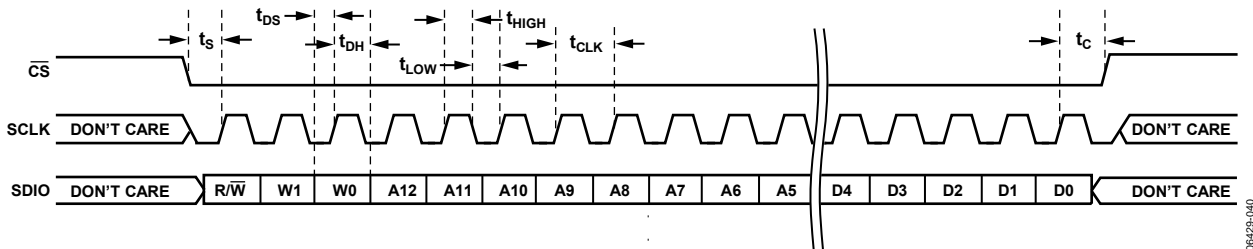


Figure 48. Serial Control Port Write—MSB First, 16-Bit Instruction, Timing Measurements

06429-040

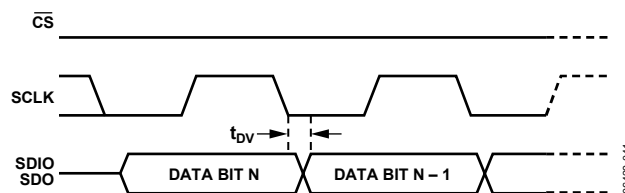


Figure 49. Serial Control Port Timing Diagram—Read

06429-041

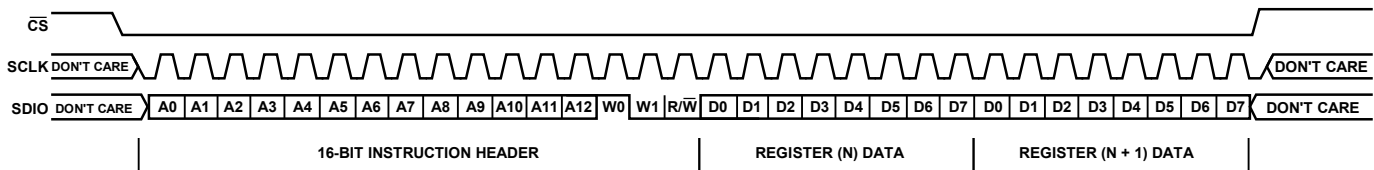


Figure 50. Serial Control Port Write—LSB First, 16-Bit Instruction, Two Bytes Data

06429-042

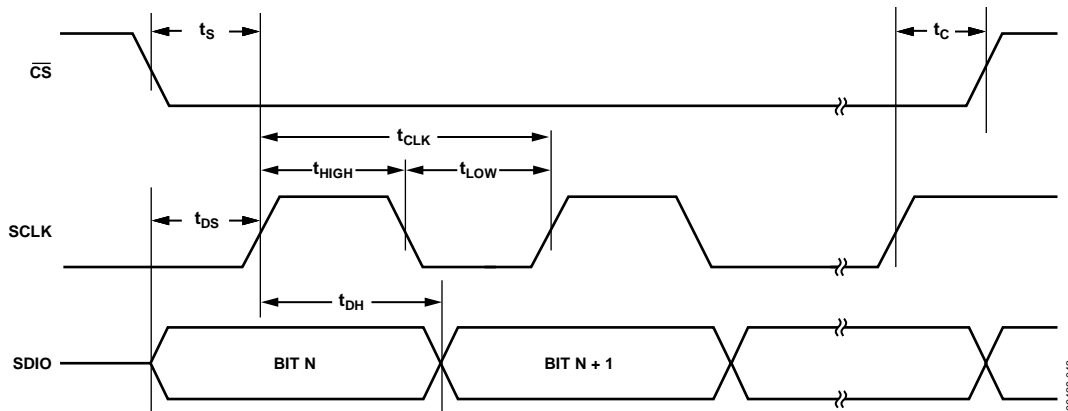


Figure 51. Serial Control Port Timing Diagram—Write

06429-043

Table 40. Serial Control Port Timing

| Parameter  | Description   |
|------------|---|
| $t_{DS}$   | Setup time between data and rising edge of SCLK   |
| $t_{DH}$   | Hold time between data and rising edge of SCLK  |
| $t_{CLK}$  | Period of the clock   |
| $t_s$      | Setup time between $\overline{CS}$ falling edge and SCLK rising edge (start of communication cycle) |
| $t_c$      | Setup time between SCLK rising edge and $\overline{CS}$ rising edge (end of communication cycle)    |
| $t_{HIGH}$ | Minimum period that SCLK should be in a logic high state  |
| $t_{LOW}$  | Minimum period that SCLK should be in a logic low state   |
| $t_{DV}$   | SCLK to valid SDIO and SDO (see Figure 49)  |

## THERMAL PERFORMANCE

Table 41. Thermal Parameters for the 48-Lead LFCSP

| Symbol         | Thermal Characteristic Using a JEDEC JESD51-7 Plus JEDEC JESD51-5 2S2P Test Board                                  | Value (°C/W) |
|----------------|--|--------------|
| $\theta_{JA}$  | Junction-to-ambient thermal resistance, natural convection per JEDEC JESD51-2 (still air)                          | 24.7         |
| $\theta_{JMA}$ | Junction-to-ambient thermal resistance, 1.0 m/sec airflow per JEDEC JESD51-6 (moving air)                          | 21.6         |
| $\theta_{JMA}$ | Junction-to-ambient thermal resistance, 2.5 m/sec airflow per JEDEC JESD51-6 (moving air)                          | 19.4         |
| $\theta_{JB}$  | Junction-to-board thermal resistance, natural convection per JEDEC JESD51-8 (still air)                            | 12.9         |
| $\Psi_{JB}$    | Junction-to-board characterization parameter, natural convection per JEDEC JESD51-6 (still air) and JEDEC JESD51-8 | 11.9         |
| $\Psi_{JB}$    | Junction-to-board characterization parameter, 1.0 m/sec airflow per JEDEC JESD51-6 (moving air) and JEDEC JESD51-8 | 11.8         |
| $\Psi_{JB}$    | Junction-to-board characterization parameter, 2.5 m/sec airflow per JEDEC JESD51-6 (moving air) and JEDEC JESD51-8 | 11.6         |
| $\theta_{JC}$  | Junction-to-case thermal resistance (die-to-heat sink) per MIL-STD-883, Method 1012.1                              | 1.3          |
| $\Psi_{JT}$    | Junction-to-top-of-package characterization parameter, natural convection per JEDEC JESD51-2 (still air)           | 0.5          |
| $\Psi_{JT}$    | Junction-to-top-of-package characterization parameter, 1.0 m/sec airflow per JEDEC JESD51-2 (still air)            | 0.2          |
| $\Psi_{JT}$    | Junction-to-top-of-package characterization parameter, 2.0 m/sec airflow per JEDEC JESD51-2 (still air)            | 0.3          |

Use the following equation to determine the junction temperature of the [AD9518](#) on the application PCB:

$$T_J = T_{CASE} + (\Psi_{JT} \times PD)$$

where:

$T_J$  is the junction temperature (°C).

$T_{CASE}$  is the case temperature (°C) measured by the user at the top center of the package.

$\Psi_{JT}$  is the value from Table 41.

$PD$  is the power dissipation of the device (see Table 16).

Values of  $\theta_{JA}$  are provided for package comparison and PCB design considerations.  $\theta_{JA}$  can be used for a first-order approximation of  $T_J$  by the following equation:

$$T_J = T_A + (\theta_{JA} \times PD)$$

where  $T_A$  is the ambient temperature (°C).

Values of  $\theta_{JC}$  are provided for package comparison and PCB design considerations when an external heat sink is required.

Values of  $\Psi_{JB}$  are provided for package comparison and PCB design considerations.

## CONTROL REGISTERS

### CONTROL REGISTER MAP OVERVIEW

Table 42. Control Register Map Overview

| Reg. Addr. (Hex)                 | Parameter                 | Bit 7 (MSB)                       | Bit 6                                 | Bit 5                          | Bit 4                       | Bit 3                       | Bit 2                      | Bit 1                      | Bit 0 (LSB)                | Default Value (Hex) |      |
|----------------------------------|---------------------------|-----------------------------------|---------------------------------------|--------------------------------|-----------------------------|-----------------------------|----------------------------|----------------------------|----------------------------|---------------------|------|
| <b>Serial Port Configuration</b> |                           |                                   |                                       |                                |                             |                             |                            |                            |                            |                     |      |
| 0x000                            | Serial port configuration | SDO active                        | LSB first                             | Soft reset                     | Long instruction            | Long instruction            | Soft reset                 | LSB first                  | SDO active                 | 0x18                |      |
| 0x001                            | Blank                     |                                   |                                       |                                |                             |                             |                            |                            |                            |                     |      |
| 0x002                            | Reserved                  |                                   |                                       |                                |                             |                             |                            |                            |                            |                     |      |
| 0x003                            | Part ID                   | Part ID (read only)               |                                       |                                |                             |                             |                            |                            |                            | 0x21                |      |
| 0x004                            | Readback control          | Blank                             |                                       |                                |                             |                             |                            |                            | Read back active registers | 0x00                |      |
| <b>PLL</b>                       |                           |                                   |                                       |                                |                             |                             |                            |                            |                            |                     |      |
| 0x010                            | PFD and charge pump       | PFD polarity                      | Charge pump current                   |                                |                             | Charge pump mode            |                            | PLL power-down             |                            | 0x7D                |      |
| 0x011                            | R counter                 | 14-bit R divider, Bits[7:0] (LSB) |                                       |                                |                             |                             |                            |                            |                            |                     | 0x01 |
| 0x012                            |                           | Blank                             | 14-bit R divider, Bits[13:8] (MSB)    |                                |                             |                             |                            |                            |                            | 0x00                |      |
| 0x013                            | A counter                 | Blank                             | 6-bit A counter                       |                                |                             |                             |                            |                            |                            |                     | 0x00 |
| 0x014                            | B counter                 | 13-bit B counter, Bits[7:0] (LSB) |                                       |                                |                             |                             |                            |                            |                            |                     | 0x03 |
| 0x015                            |                           | Blank                             | 13-bit B counter, Bits[12:8] (MSB)    |                                |                             |                             |                            |                            |                            | 0x00                |      |
| 0x016                            | PLL Control 1             | Set CP pin to $V_{CP}/2$          | Reset R counter                       | Reset A and B counters         | Reset all counters          | B counter bypass            | Prescaler P                |                            |                            | 0x06                |      |
| 0x017                            | PLL Control 2             | STATUS pin control                |                                       |                                |                             |                             |                            | Antibacklash pulse width   |                            | 0x00                |      |
| 0x018                            | PLL Control 3             | Reserved                          | Lock detect counter                   |                                | Digital lock detect window  | Disable digital lock detect | VCO calibration divider    |                            | VCO cal now                | 0x06                |      |
| 0x019                            | PLL Control 4             | R, A, B counters SYNC pin reset   |                                       | R path delay                   |                             |                             | N path delay               |                            |                            | 0x00                |      |
| 0x01A                            | PLL Control 5             | Reserved                          | Reference frequency monitor threshold | LD pin control                 |                             |                             |                            |                            |                            |                     | 0x00 |
| 0x01B                            | PLL Control 6             | VCO frequency monitor             | REF2 (REFIN) frequency monitor        | REF1 (REFIN) frequency monitor | REFMON pin control          |                             |                            |                            |                            | 0x00                |      |
| 0x01C                            | PLL Control 7             | Disable switchover deglitch       | Select REF2                           | Use REF_SEL pin                | Reserved                    |                             | REF2 power-on              | REF1 power-on              | Differential reference     | 0x00                |      |
| 0x01D                            | PLL Control 8             | Reserved                          |                                       |                                | PLL status register disable | LD pin comparator enable    | Holdover enable            | External holdover control  | Holdover enable            | 0x00                |      |
| 0x01E                            | PLL Control 9             | Reserved                          |                                       |                                |                             |                             |                            |                            |                            |                     | 0x00 |
| 0x01F                            | PLL readback              | Reserved                          | VCO cal finished                      | Holdover active                | REF2 selected               | VCO frequency > threshold   | REF2 frequency > threshold | REF1 frequency > threshold | Digital lock detect        | N/A                 |      |
| 0x020 to 0x04F                   | Blank                     |                                   |                                       |                                |                             |                             |                            |                            |                            |                     |      |
| 0x0A0 to 0x0AB                   | Reserved                  |                                   |                                       |                                |                             |                             |                            |                            |                            |                     |      |
| 0x0AC to 0x0EF                   | Blank                     |                                   |                                       |                                |                             |                             |                            |                            |                            |                     |      |

| Reg. Addr. (Hex)                 | Parameter        | Bit 7 (MSB)          | Bit 6            | Bit 5                | Bit 4                          | Bit 3                            | Bit 2                  | Bit 1                      | Bit 0 (LSB)        | Default Value (Hex) |      |
|----------------------------------|------------------|----------------------|------------------|----------------------|--------------------------------|----------------------------------|------------------------|----------------------------|--------------------|---------------------|------|
| <b>LVPECL Outputs</b>            |                  |                      |                  |                      |                                |                                  |                        |                            |                    |                     |      |
| 0x0F0                            | OUT0             | Blank                |                  |                      | OUT0 invert                    | OUT0 LVPECL differential voltage |                        | OUT0 power-down            |                    | 0x08                |      |
| 0x0F1                            | OUT1             | Blank                |                  |                      | OUT1 invert                    | OUT1 LVPECL differential voltage |                        | OUT1 power-down            |                    | 0x0A                |      |
| 0x0F2                            | OUT2             | Blank                |                  |                      | OUT2 invert                    | OUT2 LVPECL differential voltage |                        | OUT2 power-down            |                    | 0x08                |      |
| 0x0F3                            | OUT3             | Blank                |                  |                      | OUT3 invert                    | OUT3 LVPECL differential voltage |                        | OUT3 power-down            |                    | 0x0A                |      |
| 0x0F4                            | OUT4             | Blank                |                  |                      | OUT4 invert                    | OUT4 LVPECL differential voltage |                        | OUT4 power-down            |                    | 0x08                |      |
| 0x0F5                            | OUT5             | Blank                |                  |                      | OUT5 invert                    | OUT5 LVPECL differential voltage |                        | OUT5 power-down            |                    | 0x0A                |      |
| 0x0F6 to 0x13F                   | Blank            |                      |                  |                      |                                |                                  |                        |                            |                    |                     |      |
| 0x140 to 0x143                   | Reserved         |                      |                  |                      |                                |                                  |                        |                            |                    |                     |      |
| 0x144 to 0x18F                   | Blank            |                      |                  |                      |                                |                                  |                        |                            |                    |                     |      |
| <b>LVPECL Channel Dividers</b>   |                  |                      |                  |                      |                                |                                  |                        |                            |                    |                     |      |
| 0x190                            | Divider 0 (PECL) | Divider 0 low cycles |                  |                      |                                | Divider 0 high cycles            |                        |                            |                    | 0x00                |      |
| 0x191                            |                  | Divider 0 bypass     | Divider 0 nosync | Divider 0 force high | Divider 0 start high           | Divider 0 phase offset           |                        |                            |                    | 0x80                |      |
| 0x192                            |                  | Blank                |                  |                      | Reserved                       |                                  |                        | Divider 0 direct to output | Divider 0 DCCOFF   | 0x00                |      |
| 0x193                            | Divider 1 (PECL) | Divider 1 low cycles |                  |                      |                                | Divider 1 high cycles            |                        |                            |                    | 0xBB                |      |
| 0x194                            |                  | Divider 1 bypass     | Divider 1 nosync | Divider 1 force high | Divider 1 start high           | Divider 1 phase offset           |                        |                            |                    | 0x00                |      |
| 0x195                            |                  | Blank                |                  |                      | Reserved                       |                                  |                        | Divider 1 direct to output | Divider 1 DCCOFF   | 0x00                |      |
| 0x196                            | Divider 2 (PECL) | Divider 2 low cycles |                  |                      |                                | Divider 2 high cycles            |                        |                            |                    | 0x00                |      |
| 0x197                            |                  | Divider 2 bypass     | Divider 2 nosync | Divider 2 force high | Divider 2 start high           | Divider 2 phase offset           |                        |                            |                    | 0x00                |      |
| 0x198                            |                  | Blank                |                  |                      | Reserved                       |                                  |                        | Divider 2 direct to output | Divider 2 DCCOFF   | 0x00                |      |
| 0x199 to 0x1A3                   | Reserved         |                      |                  |                      |                                |                                  |                        |                            |                    |                     |      |
| 0x1A4 to 0x1DF                   | Blank            |                      |                  |                      |                                |                                  |                        |                            |                    |                     |      |
| <b>VCO Divider and CLK Input</b> |                  |                      |                  |                      |                                |                                  |                        |                            |                    |                     |      |
| 0x1E0                            | VCO divider      | Blank                |                  |                      |                                | Reserved                         |                        | VCO Divider                |                    |                     | 0x02 |
| 0x1E1                            | Input CLks       | Reserved             |                  |                      | Power down clock input section | Power down VCO clock interface   | Power down VCO and CLK | Select VCO or CLK          | Bypass VCO divider | 0x00                |      |
| 0x1E2 to 0x22A                   | Blank            |                      |                  |                      |                                |                                  |                        |                            |                    |                     |      |

| Reg. Addr. (Hex)            | Parameter            | Bit 7 (MSB) | Bit 6 | Bit 5 | Bit 4 | Bit 3    | Bit 2           | Bit 1                                    | Bit 0 (LSB) | Default Value (Hex) |
|-----------------------------|----------------------|-------------|-------|-------|-------|----------|-----------------|--|-------------|---------------------|
| <b>System</b>               |                      |             |       |       |       |          |                 |  |             |                     |
| 0x230                       | Power-down and sync  | Reserved    |       |       |       |          | Power down sync | Power down distribution reference        | Soft sync   | 0x00                |
| 0x231                       | Blank                |             |       |       |       | Reserved |                 |  |             | 0x00                |
| <b>Update All Registers</b> |                      |             |       |       |       |          |                 |  |             |                     |
| 0x232                       | Update all registers | Blank       |       |       |       |          |                 | Update all registers (self-clearing bit) | 0x00        |                     |

## CONTROL REGISTER MAP DESCRIPTIONS

Table 43 through Table 49 provide a detailed description of each of the control register functions. The registers are listed by hexadecimal address. A range of bits (for example, from Bit 5 through Bit 2) is indicated using a colon and brackets, as follows: [5:2].

**Table 43. Serial Port Configuration and Part ID**

| Reg. Addr (Hex) | Bits  | Name                       | Description  |
|-----------------|-------|----------------------------|--|
| 0x000           | [7:4] | Mirrored, Bits[3:0]        | Bits[7:4] should always mirror Bits[3:0] such that it does not matter whether the part is in MSB or LSB first mode (see Bit 1, Register 0x000). The user should set the bits as follows:<br>Bit 7 = Bit 0.<br>Bit 6 = Bit 1.<br>Bit 5 = Bit 2.<br>Bit 4 = Bit 3. |
|                 | 3     | Long instruction           | Short/long instruction mode. This part uses long instruction mode only, so this bit should always be set to 1b.<br>0: 8-bit instruction (short).<br>1: 16-bit instruction (long) (default).  |
|                 | 2     | Soft reset                 | Soft reset.<br>1: soft reset; restores default values to internal registers. Not self-clearing. Must be cleared to 0b to complete reset operation.   |
|                 | 1     | LSB first                  | MSB or LSB data orientation.<br>0: data-oriented MSB first; addressing decrements (default).<br>1: data-oriented LSB first; addressing increments.   |
|                 | 0     | SDO active                 | Selects unidirectional or bidirectional data transfer mode.<br>0: SDIO pin used for write and read; SDO set to high impedance; bidirectional mode (default).<br>1: SDO used for read, SDIO used for write; unidirectional mode.                                  |
| 0x003           | [7:0] | Part ID (read only)        | Uniquely identifies the dash version (-0 through -4) of the AD9518.<br>AD9518-0: 0x21.<br>AD9518-1: 0x61.<br>AD9518-2: 0xA1.<br>AD9518-3: 0x63.<br>AD9518-4: 0xE3.   |
| 0x004           | 0     | Read back active registers | Selects register bank used for a readback.<br>0: reads back buffer registers (default).<br>1: reads back active registers.   |



Table 44. PLL

| Reg. Addr. (Hex)                        | Bits             | Name                                       | Description   |
|---|------------------|--|---|
| 0x010                                   | 7                | PFD polarity                               | Sets the PFD polarity. Negative polarity is for use (if needed) with external VCO/VCXO only. The on-chip VCO requires positive polarity; Bit 7 = 0b.<br>0: positive; higher control voltage produces higher frequency (default).<br>1: negative; higher control voltage produces lower frequency. |
|   | [6:4]            | CP current                                 | Charge pump current (with CPRSET = 5.1 kΩ).   |
|   |                  |  | <b>6</b> <b>5</b> <b>4</b> <b>I<sub>CP</sub> (mA)</b>   |
|   |                  |  | 0   0   0   0.6.  |
|   |                  |  | 0   0   1   1.2.  |
|   |                  |  | 0   1   0   1.8.  |
|   |                  |  | 0   1   1   2.4.  |
|   |                  |  | 1   0   0   3.0.  |
|   |                  |  | 1   0   1   3.6.  |
|   | 1   1   0   4.2. |  |   |
| 1   1   1   4.8 (default).              |                  |  |   |
| [3:2]                                   | CP mode          | Charge pump operating mode.                |   |
|   |                  | <b>3</b> <b>2</b> <b>Charge Pump Mode</b>  |   |
|   |                  | 0   0   High impedance state.              |   |
|   |                  | 0   1   Force source current (pump up).    |   |
| 1   0   Force sink current (pump down). |                  |  |   |
| 1   1   Normal operation (default).     |                  |  |   |
| [1:0]                                   | PLL power-down   | PLL operating mode.                        |   |
|   |                  | <b>1</b> <b>0</b> <b>Mode</b>              |   |
|   |                  | 0   0   Normal operation.                  |   |
|   |                  | 0   1   Asynchronous power-down (default). |   |
|   |                  | 1   0   Normal operation.                  |   |
| 1   1   Synchronous power-down.         |                  |  |   |
| 0x011                                   | [7:0]            | 14-bit R divider, Bits[7:0] (LSB)          | R divider LSBs—lower eight bits (default = 0x01).   |
| 0x012                                   | [5:0]            | 14-bit R divider, Bits[13:8] (MSB)         | R divider MSBs—upper six bits (default = 0x00).   |
| 0x013                                   | [5:0]            | 6-bit A counter                            | A counter (part of N divider) (default = 0x00).   |
| 0x014                                   | [7:0]            | 13-bit B counter, Bits[7:0] (LSB)          | B counter (part of N divider)—lower eight bits (default = 0x03).  |
| 0x015                                   | [4:0]            | 13-bit B counter, Bits[12:8] (MSB)         | B counter (part of N divider)—upper five bits (default = 0x00).   |
| 0x016                                   | 7                | Set CP pin to $V_{CP}/2$                   | Sets the CP pin to one-half of the $V_{CP}$ supply voltage.<br>0: CP normal operation (default).<br>1: CP pin set to $V_{CP}/2$ .   |
|   | 6                | Reset R counter                            | Resets R counter (R divider).<br>0: normal (default).<br>1: holds the R counter in reset.   |
|   | 5                | Reset A, B counters                        | Resets A and B counters (part of N divider).<br>0: normal (default).<br>1: holds the A and B counters in reset.   |
|   | 4                | Reset all counters                         | Resets R, A, and B counters.<br>0: normal (default).<br>1: holds the R, A, and B counters in reset.   |
|   | 3                | B counter bypass                           | B counter bypass. This is valid only when operating the prescaler in FD mode.<br>0: normal (default).<br>1: B counter is set to divide-by-1. This allows the prescaler setting to determine the divide for the N divider.   |

| Reg. Addr. (Hex) | Bits  | Name               | Description   |          |          |             |                                      |          |                                |  |
|------------------|-------|--------------------|---|----------|----------|-------------|--------------------------------------|----------|--------------------------------|--|
|                  | [2:0] | Prescaler P        | Prescaler: DM = dual modulus and FD = fixed divide.     |          |          |             |                                      |          |                                |  |
|                  |       |                    | <b>2</b>  | <b>1</b> | <b>0</b> | <b>Mode</b> | <b>Prescaler</b>                     |          |                                |  |
|                  |       |                    | 0   | 0        | 0        | FD          | Divide-by-1.                         |          |                                |  |
|                  |       |                    | 0   | 0        | 1        | FD          | Divide-by-2.                         |          |                                |  |
|                  |       |                    | 0   | 1        | 0        | DM          | Divide-by-2 (2/3 mode).              |          |                                |  |
|                  |       |                    | 0   | 1        | 1        | DM          | Divide-by-4 (4/5 mode).              |          |                                |  |
|                  |       |                    | 1   | 0        | 0        | DM          | Divide-by-8 (8/9 mode).              |          |                                |  |
|                  |       |                    | 1   | 0        | 1        | DM          | Divide-by-16 (16/17 mode).           |          |                                |  |
|                  |       |                    | 1   | 1        | 0        | DM          | Divide-by-32 (32/33 mode) (default). |          |                                |  |
|                  |       |                    | 1   | 1        | 1        | FD          | Divide-by-3.                         |          |                                |  |
| 0x017            | [7:2] | STATUS pin control | Selects the signal that is connected to the STATUS pin. |          |          |             |                                      |          |                                |  |
|                  |       |                    | <b>7</b>  | <b>6</b> | <b>5</b> | <b>4</b>    | <b>3</b>                             | <b>2</b> | <b>Level or Dynamic Signal</b> | <b>Signal at STATUS Pin</b>  |
|                  |       |                    | 0   | 0        | 0        | 0           | 0                                    | 0        | LVL                            | Ground (dc) (default).   |
|                  |       |                    | 0   | 0        | 0        | 0           | 0                                    | 1        | DYN                            | N divider output (after the delay).  |
|                  |       |                    | 0   | 0        | 0        | 0           | 1                                    | 0        | DYN                            | R divider output (after the delay).  |
|                  |       |                    | 0   | 0        | 0        | 0           | 1                                    | 1        | DYN                            | A divider output.  |
|                  |       |                    | 0   | 0        | 0        | 1           | 0                                    | 0        | DYN                            | Prescaler output.  |
|                  |       |                    | 0   | 0        | 0        | 1           | 0                                    | 1        | DYN                            | PFD up pulse.  |
|                  |       |                    | 0   | 0        | 0        | 1           | 1                                    | 0        | DYN                            | PFD down pulse.  |
|                  |       |                    | 0   | X        | X        | X           | X                                    | X        | LVL                            | Ground (dc); for all other cases of 0XXXXXb not specified previously. The selections that follow are the same as REFMON. |
|                  |       |                    | 1   | 0        | 0        | 0           | 0                                    | 0        | LVL                            | Ground (dc).   |
|                  |       |                    | 1   | 0        | 0        | 0           | 0                                    | 1        | DYN                            | REF1 clock (differential reference when in differential mode).   |
|                  |       |                    | 1   | 0        | 0        | 0           | 1                                    | 0        | DYN                            | REF2 clock (not available in differential mode).   |
|                  |       |                    | 1   | 0        | 0        | 0           | 1                                    | 1        | DYN                            | Selected reference to PLL (differential reference when in differential mode).  |
|                  |       |                    | 1   | 0        | 0        | 1           | 0                                    | 0        | DYN                            | Unselected reference to PLL (not available in differential mode).  |
|                  |       |                    | 1   | 0        | 0        | 1           | 0                                    | 1        | LVL                            | Status of selected reference (status of differential reference); active high.  |
|                  |       |                    | 1   | 0        | 0        | 1           | 1                                    | 0        | LVL                            | Status of unselected reference (not available in differential mode); active high.  |
|                  |       |                    | 1   | 0        | 0        | 1           | 1                                    | 1        | LVL                            | Status REF1 frequency; active high.  |
|                  |       |                    | 1   | 0        | 1        | 0           | 0                                    | 0        | LVL                            | Status REF2 frequency; active high.  |
|                  |       |                    | 1   | 0        | 1        | 0           | 0                                    | 1        | LVL                            | (Status REF1 frequency) AND (status REF2 frequency).   |
|                  |       |                    | 1   | 0        | 1        | 0           | 1                                    | 0        | LVL                            | (DLD) AND (status of selected reference) AND (status of VCO).  |
|                  |       |                    | 1   | 0        | 1        | 0           | 1                                    | 1        | LVL                            | Status of VCO frequency; active high.  |
|                  |       |                    | 1   | 0        | 1        | 1           | 0                                    | 0        | LVL                            | Selected reference (low = REF1, high = REF2).  |
|                  |       |                    | 1   | 0        | 1        | 1           | 0                                    | 1        | LVL                            | Digital lock detect (DLD); active high.  |
|                  |       |                    | 1   | 0        | 1        | 1           | 1                                    | 0        | LVL                            | Holdover active; active high.  |
|                  |       |                    | 1   | 0        | 1        | 1           | 1                                    | 1        | LVL                            | LD pin comparator output; active high.   |
|                  |       |                    | 1   | 1        | 0        | 0           | 0                                    | 0        | LVL                            | V <sub>s</sub> (PLL supply).   |
|                  |       |                    | 1   | 1        | 0        | 0           | 0                                    | 1        | DYN                            | REF1 clock (differential reference when in differential mode).   |
|                  |       |                    | 1   | 1        | 0        | 0           | 1                                    | 0        | DYN                            | REF2 clock (not available in differential mode).   |
|                  |       |                    | 1   | 1        | 0        | 0           | 1                                    | 1        | DYN                            | Selected reference to PLL (differential reference when in differential mode).  |
|                  |       |                    | 1   | 1        | 0        | 1           | 0                                    | 0        | DYN                            | Unselected reference to PLL (not available when in differential mode).   |
|                  |       |                    | 1   | 1        | 0        | 1           | 0                                    | 1        | LVL                            | Status of selected reference (status of differential reference); active low.   |
|                  |       |                    | 1   | 1        | 0        | 1           | 1                                    | 0        | LVL                            | Status of unselected reference (not available in differential mode); active low.   |
|                  |       |                    | 1   | 1        | 0        | 1           | 1                                    | 1        | LVL                            | Status of REF1 frequency; active low.  |
|                  |       |                    | 1   | 1        | 1        | 0           | 0                                    | 0        | LVL                            | Status of REF2 frequency; active low.  |
|                  |       |                    | 1   | 1        | 1        | 0           | 0                                    | 1        | LVL                            | (Status of REF1 frequency) AND (status of REF2 frequency).   |
|                  |       |                    | 1   | 1        | 1        | 0           | 1                                    | 0        | LVL                            | (DLD) AND (status of selected reference) AND (status of VCO).  |
|                  |       |                    | 1   | 1        | 1        | 0           | 1                                    | 1        | LVL                            | Status of VCO frequency; active low.   |
|                  |       |                    | 1   | 1        | 1        | 1           | 0                                    | 0        | LVL                            | Selected reference (low = REF2, high = REF1).  |
|                  |       |                    | 1   | 1        | 1        | 1           | 0                                    | 1        | LVL                            | Digital lock detect (DLD); active low.   |
|                  |       |                    | 1   | 1        | 1        | 1           | 1                                    | 0        | LVL                            | Holdover active; active low.   |
|                  |       |                    | 1   | 1        | 1        | 1           | 1                                    | 1        | LVL                            | LD pin comparator output; active low.  |

| Reg. Addr. (Hex) | Bits  | Name   | Description  |          |  |
|------------------|-------|--|--|----------|--|
| 0x018            | [1:0] | Antibacklash pulse width   | <b>1</b>   | <b>0</b> | <b>Antibacklash Pulse Width (ns)</b>   |
|                  |       |  | 0  | 0        | 2.9 (default); this is the recommended setting, and it does not normally need to be changed. |
|                  |       |  | 0  | 1        | 1.3; this setting may be necessary if the PFD frequency > 50 MHz.                            |
|                  |       |  | 1  | 0        | 6.0.   |
|                  |       |  | 1  | 1        | 2.9.   |
| 0x018            | [6:5] | Lock detect counter  | Required consecutive number of PFD cycles with edges inside lock detect window before the DLD indicates a locked condition.  |          |  |
|                  |       |  | <b>6</b>   | <b>5</b> | <b>PFD Cycles to Determine Lock</b>  |
|                  |       |  | 0  | 0        | 5 (default).   |
|                  |       |  | 0  | 1        | 16.  |
|                  |       |  | 1  | 0        | 64.  |
| 1                | 1     | 255.   |  |          |  |
| 0x018            | 4     | Digital lock detect window   | If the time difference of the rising edges at the inputs to the PFD is less than the lock detect window time, the digital lock detect flag is set. The flag remains set until the time difference is greater than the loss-of-lock threshold.<br>0: high range (default).<br>1: low range.   |          |  |
| 0x018            | 3     | Disable digital lock detect  | Digital lock detect operation.<br>0: normal lock detect operation (default).<br>1: disables lock detect.   |          |  |
| 0x018            | [2:1] | VCO cal divider  | VCO calibration divider. Divider used to generate the VCO calibration clock from the PLL reference clock.  |          |  |
|                  |       |  | <b>2</b>   | <b>1</b> | <b>VCO Calibration Clock Divider</b>   |
|                  |       |  | 0  | 0        | 2. This setting is fine for PFD frequencies < 12.5 MHz. The PFD frequency is $f_{REF}/R$ .   |
|                  |       |  | 0  | 1        | 4. This setting is fine for PFD frequencies < 25 MHz.  |
|                  |       |  | 1  | 0        | 8. This setting is fine for PFD frequencies < 50 MHz.  |
| 1                | 1     | 16 (default). This setting is fine for any PFD frequency but also results in the longest VCO calibration time. |  |          |  |
| 0x018            | 0     | VCO cal now  | Bit used to initiate VCO calibration. This bit must be toggled from 0b to 1b in the active registers. To initiate calibration, use the following three steps: first, ensure that the input reference signal is present; second, set to 0b (if not zero already), followed by the update all registers bit (Register 0x232, Bit 0); and third, program to 1b, again followed by the update all registers bit (Register 0x232, Bit 0). Clearing this bit discards the VCO calibration and usually results in the PLL losing lock. The user must ensure that the holdover enable bits in Register 0x01D = 00b during VCO calibration. |          |  |
| 0x019            | [7:6] | R, A, B counters, SYNC pin reset   | <b>7</b>   | <b>6</b> | <b>Action</b>  |
|                  |       |  | 0  | 0        | Does nothing on $\overline{\text{SYNC}}$ (default).  |
|                  |       |  | 0  | 1        | Asynchronous reset.  |
|                  |       |  | 1  | 0        | Synchronous reset.   |
|                  |       |  | 1  | 1        | Does nothing on $\overline{\text{SYNC}}$ .   |
| 0x019            | [5:3] | R path delay   | R path delay (default = 0x00); see Table 2.  |          |  |
| 0x019            | [2:0] | N path delay   | N path delay (default = 0x00); see Table 2.  |          |  |

| Reg. Addr. (Hex) | Bits  | Name                                  | Description   |   |   |                         |  |   |   |                         |                  |   |   |   |   |   |   |     |  |   |   |   |   |   |   |     |   |   |   |   |   |   |   |     |   |   |   |   |   |   |   |     |                |   |   |   |   |   |   |     |  |   |   |   |   |   |   |     |  |   |   |   |   |   |   |     |              |   |   |   |   |   |   |     |  |   |   |   |   |   |   |     |  |   |   |   |   |   |   |     |   |   |   |   |   |   |   |     |   |   |   |   |   |   |   |     |   |   |   |   |   |   |   |     |   |   |   |   |   |   |   |     |                                     |   |   |   |   |   |   |     |                                     |   |   |   |   |   |   |     |  |   |   |   |   |   |   |     |   |   |   |   |   |   |   |     |  |   |   |   |   |   |   |     |   |   |   |   |   |   |   |     |   |   |   |   |   |   |   |     |                               |   |   |   |   |   |   |     |                            |   |   |   |   |   |   |     |                  |   |   |   |   |   |   |     |  |   |   |   |   |   |   |     |  |   |   |   |   |   |   |     |   |   |   |   |   |   |   |     |   |   |   |   |   |   |   |     |  |   |   |   |   |   |   |     |  |   |   |   |   |   |   |     |                                       |   |   |   |   |   |   |     |                                       |   |   |   |   |   |   |     |  |   |   |   |   |   |   |     |   |   |   |   |   |   |   |     |                                      |   |   |   |   |   |   |     |   |   |   |   |   |   |   |     |  |   |   |   |   |   |   |     |                              |   |   |   |   |   |   |     |                            |
|------------------|-------|---------------------------------------|---|---|---|-------------------------|--|---|---|-------------------------|------------------|---|---|---|---|---|---|-----|--|---|---|---|---|---|---|-----|---|---|---|---|---|---|---|-----|---|---|---|---|---|---|---|-----|----------------|---|---|---|---|---|---|-----|--|---|---|---|---|---|---|-----|--|---|---|---|---|---|---|-----|--------------|---|---|---|---|---|---|-----|--|---|---|---|---|---|---|-----|--|---|---|---|---|---|---|-----|---|---|---|---|---|---|---|-----|---|---|---|---|---|---|---|-----|---|---|---|---|---|---|---|-----|---|---|---|---|---|---|---|-----|-------------------------------------|---|---|---|---|---|---|-----|-------------------------------------|---|---|---|---|---|---|-----|--|---|---|---|---|---|---|-----|---|---|---|---|---|---|---|-----|--|---|---|---|---|---|---|-----|---|---|---|---|---|---|---|-----|---|---|---|---|---|---|---|-----|-------------------------------|---|---|---|---|---|---|-----|----------------------------|---|---|---|---|---|---|-----|------------------|---|---|---|---|---|---|-----|--|---|---|---|---|---|---|-----|--|---|---|---|---|---|---|-----|---|---|---|---|---|---|---|-----|---|---|---|---|---|---|---|-----|--|---|---|---|---|---|---|-----|--|---|---|---|---|---|---|-----|---------------------------------------|---|---|---|---|---|---|-----|---------------------------------------|---|---|---|---|---|---|-----|--|---|---|---|---|---|---|-----|---|---|---|---|---|---|---|-----|--------------------------------------|---|---|---|---|---|---|-----|---|---|---|---|---|---|---|-----|--|---|---|---|---|---|---|-----|------------------------------|---|---|---|---|---|---|-----|----------------------------|
| 0x01A            | 6     | Reference frequency monitor threshold | Sets the reference (REF1/REF2) frequency monitor's detection threshold frequency. This does not affect the VCO frequency monitor's detection threshold (see Table 15: REF1, REF2, and VCO frequency status monitor).<br>0: frequency valid if frequency is above the higher frequency threshold (default).<br>1: frequency valid if frequency is above the lower frequency threshold.   |   |   |                         |  |   |   |                         |                  |   |   |   |   |   |   |     |  |   |   |   |   |   |   |     |   |   |   |   |   |   |   |     |   |   |   |   |   |   |   |     |                |   |   |   |   |   |   |     |  |   |   |   |   |   |   |     |  |   |   |   |   |   |   |     |              |   |   |   |   |   |   |     |  |   |   |   |   |   |   |     |  |   |   |   |   |   |   |     |   |   |   |   |   |   |   |     |   |   |   |   |   |   |   |     |   |   |   |   |   |   |   |     |   |   |   |   |   |   |   |     |                                     |   |   |   |   |   |   |     |                                     |   |   |   |   |   |   |     |  |   |   |   |   |   |   |     |   |   |   |   |   |   |   |     |  |   |   |   |   |   |   |     |   |   |   |   |   |   |   |     |   |   |   |   |   |   |   |     |                               |   |   |   |   |   |   |     |                            |   |   |   |   |   |   |     |                  |   |   |   |   |   |   |     |  |   |   |   |   |   |   |     |  |   |   |   |   |   |   |     |   |   |   |   |   |   |   |     |   |   |   |   |   |   |   |     |  |   |   |   |   |   |   |     |  |   |   |   |   |   |   |     |                                       |   |   |   |   |   |   |     |                                       |   |   |   |   |   |   |     |  |   |   |   |   |   |   |     |   |   |   |   |   |   |   |     |                                      |   |   |   |   |   |   |     |   |   |   |   |   |   |   |     |  |   |   |   |   |   |   |     |                              |   |   |   |   |   |   |     |                            |
|                  | [5:0] | LD pin control                        | Selects the signal that is connected to the LD pin.   |   |   |                         |  |   |   |                         |                  |   |   |   |   |   |   |     |  |   |   |   |   |   |   |     |   |   |   |   |   |   |   |     |   |   |   |   |   |   |   |     |                |   |   |   |   |   |   |     |  |   |   |   |   |   |   |     |  |   |   |   |   |   |   |     |              |   |   |   |   |   |   |     |  |   |   |   |   |   |   |     |  |   |   |   |   |   |   |     |   |   |   |   |   |   |   |     |   |   |   |   |   |   |   |     |   |   |   |   |   |   |   |     |   |   |   |   |   |   |   |     |                                     |   |   |   |   |   |   |     |                                     |   |   |   |   |   |   |     |  |   |   |   |   |   |   |     |   |   |   |   |   |   |   |     |  |   |   |   |   |   |   |     |   |   |   |   |   |   |   |     |   |   |   |   |   |   |   |     |                               |   |   |   |   |   |   |     |                            |   |   |   |   |   |   |     |                  |   |   |   |   |   |   |     |  |   |   |   |   |   |   |     |  |   |   |   |   |   |   |     |   |   |   |   |   |   |   |     |   |   |   |   |   |   |   |     |  |   |   |   |   |   |   |     |  |   |   |   |   |   |   |     |                                       |   |   |   |   |   |   |     |                                       |   |   |   |   |   |   |     |  |   |   |   |   |   |   |     |   |   |   |   |   |   |   |     |                                      |   |   |   |   |   |   |     |   |   |   |   |   |   |   |     |  |   |   |   |   |   |   |     |                              |   |   |   |   |   |   |     |                            |
|                  |       |                                       | <table border="1"> <thead> <tr> <th>5</th> <th>4</th> <th>3</th> <th>2</th> <th>1</th> <th>0</th> <th>Level or Dynamic Signal</th> <th>Signal at LD Pin</th> </tr> </thead> <tbody> <tr> <td>0</td> <td>0</td> <td>0</td> <td>0</td> <td>0</td> <td>0</td> <td>LVL</td> <td>Digital lock detect (high = lock, low = unlock) (default).</td> </tr> <tr> <td>0</td> <td>0</td> <td>0</td> <td>0</td> <td>0</td> <td>1</td> <td>DYN</td> <td>P-channel, open-drain lock detect (analog lock detect).</td> </tr> <tr> <td>0</td> <td>0</td> <td>0</td> <td>0</td> <td>1</td> <td>0</td> <td>DYN</td> <td>N-channel, open-drain lock detect (analog lock detect).</td> </tr> <tr> <td>0</td> <td>0</td> <td>0</td> <td>0</td> <td>1</td> <td>1</td> <td>HIZ</td> <td>High-Z LD pin.</td> </tr> <tr> <td>0</td> <td>0</td> <td>0</td> <td>1</td> <td>0</td> <td>0</td> <td>CUR</td> <td>Current source lock detect (110 <math>\mu</math>A when DLD is true).</td> </tr> <tr> <td>0</td> <td>X</td> <td>X</td> <td>X</td> <td>X</td> <td>X</td> <td>LVL</td> <td>Ground (dc); for all other cases of 0XXXXXb not specified previously. The selections that follow are the same as REFMON.</td> </tr> <tr> <td>1</td> <td>0</td> <td>0</td> <td>0</td> <td>0</td> <td>0</td> <td>LVL</td> <td>Ground (dc).</td> </tr> <tr> <td>1</td> <td>0</td> <td>0</td> <td>0</td> <td>0</td> <td>1</td> <td>DYN</td> <td>REF1 clock (differential reference when in differential mode).</td> </tr> <tr> <td>1</td> <td>0</td> <td>0</td> <td>0</td> <td>1</td> <td>0</td> <td>DYN</td> <td>REF2 clock (not available in differential mode).</td> </tr> <tr> <td>1</td> <td>0</td> <td>0</td> <td>0</td> <td>1</td> <td>1</td> <td>DYN</td> <td>Selected reference to PLL (differential reference when in differential mode).</td> </tr> <tr> <td>1</td> <td>0</td> <td>0</td> <td>1</td> <td>0</td> <td>0</td> <td>DYN</td> <td>Unselected reference to PLL (not available in differential mode).</td> </tr> <tr> <td>1</td> <td>0</td> <td>0</td> <td>1</td> <td>0</td> <td>1</td> <td>LVL</td> <td>Status of selected reference (status of differential reference); active high.</td> </tr> <tr> <td>1</td> <td>0</td> <td>0</td> <td>1</td> <td>1</td> <td>0</td> <td>LVL</td> <td>Status of unselected reference (not available in differential mode); active high.</td> </tr> <tr> <td>1</td> <td>0</td> <td>0</td> <td>1</td> <td>1</td> <td>1</td> <td>LVL</td> <td>Status REF1 frequency; active high.</td> </tr> <tr> <td>1</td> <td>0</td> <td>1</td> <td>0</td> <td>0</td> <td>0</td> <td>LVL</td> <td>Status REF2 frequency; active high.</td> </tr> <tr> <td>1</td> <td>0</td> <td>1</td> <td>0</td> <td>0</td> <td>1</td> <td>LVL</td> <td>(Status REF1 frequency) AND (status REF2 frequency).</td> </tr> <tr> <td>1</td> <td>0</td> <td>1</td> <td>0</td> <td>1</td> <td>0</td> <td>LVL</td> <td>(DLD) AND (status of selected reference) AND (status of VCO).</td> </tr> <tr> <td>1</td> <td>0</td> <td>1</td> <td>0</td> <td>1</td> <td>1</td> <td>LVL</td> <td>Status of VCO frequency (active high).</td> </tr> <tr> <td>1</td> <td>0</td> <td>1</td> <td>1</td> <td>0</td> <td>0</td> <td>LVL</td> <td>Selected reference (low = REF1, high = REF2).</td> </tr> <tr> <td>1</td> <td>0</td> <td>1</td> <td>1</td> <td>0</td> <td>1</td> <td>LVL</td> <td>Digital lock detect (DLD); active high.</td> </tr> <tr> <td>1</td> <td>0</td> <td>1</td> <td>1</td> <td>1</td> <td>0</td> <td>LVL</td> <td>Holdover active; active high.</td> </tr> <tr> <td>1</td> <td>0</td> <td>1</td> <td>1</td> <td>1</td> <td>1</td> <td>LVL</td> <td>Not available. Do not use.</td> </tr> <tr> <td>1</td> <td>1</td> <td>0</td> <td>0</td> <td>0</td> <td>0</td> <td>LVL</td> <td>VS (PLL supply).</td> </tr> <tr> <td>1</td> <td>1</td> <td>0</td> <td>0</td> <td>0</td> <td>1</td> <td>DYN</td> <td>REF1 clock (differential reference when in differential mode).</td> </tr> <tr> <td>1</td> <td>1</td> <td>0</td> <td>0</td> <td>1</td> <td>0</td> <td>DYN</td> <td>REF2 clock (not available in differential mode).</td> </tr> <tr> <td>1</td> <td>1</td> <td>0</td> <td>0</td> <td>1</td> <td>1</td> <td>DYN</td> <td>Selected reference to PLL (differential reference when in differential mode).</td> </tr> <tr> <td>1</td> <td>1</td> <td>0</td> <td>1</td> <td>0</td> <td>0</td> <td>DYN</td> <td>Unselected reference to PLL (not available in differential mode).</td> </tr> <tr> <td>1</td> <td>1</td> <td>0</td> <td>1</td> <td>0</td> <td>1</td> <td>LVL</td> <td>Status of selected reference (status of differential reference); active low.</td> </tr> <tr> <td>1</td> <td>1</td> <td>0</td> <td>1</td> <td>1</td> <td>0</td> <td>LVL</td> <td>Status of unselected reference (not available in differential mode); active low.</td> </tr> <tr> <td>1</td> <td>1</td> <td>0</td> <td>1</td> <td>1</td> <td>1</td> <td>LVL</td> <td>Status of REF1 frequency; active low.</td> </tr> <tr> <td>1</td> <td>1</td> <td>1</td> <td>0</td> <td>0</td> <td>0</td> <td>LVL</td> <td>Status of REF2 frequency; active low.</td> </tr> <tr> <td>1</td> <td>1</td> <td>1</td> <td>0</td> <td>0</td> <td>1</td> <td>LVL</td> <td>(Status of REF1 frequency) AND (status of REF2 frequency).</td> </tr> <tr> <td>1</td> <td>1</td> <td>1</td> <td>0</td> <td>1</td> <td>0</td> <td>LVL</td> <td>(DLD) AND (status of selected reference) AND (status of VCO).</td> </tr> <tr> <td>1</td> <td>1</td> <td>1</td> <td>0</td> <td>1</td> <td>1</td> <td>LVL</td> <td>Status of VCO frequency; active low.</td> </tr> <tr> <td>1</td> <td>1</td> <td>1</td> <td>1</td> <td>0</td> <td>0</td> <td>LVL</td> <td>Selected reference (low = REF2, high = REF1).</td> </tr> <tr> <td>1</td> <td>1</td> <td>1</td> <td>1</td> <td>0</td> <td>1</td> <td>LVL</td> <td>Digital lock detect (DLD); active low.</td> </tr> <tr> <td>1</td> <td>1</td> <td>1</td> <td>1</td> <td>1</td> <td>0</td> <td>LVL</td> <td>Holdover active; active low.</td> </tr> <tr> <td>1</td> <td>1</td> <td>1</td> <td>1</td> <td>1</td> <td>1</td> <td>LVL</td> <td>Not available. Do not use.</td> </tr> </tbody> </table> | 5 | 4 | 3                       | 2  | 1 | 0 | Level or Dynamic Signal | Signal at LD Pin | 0 | 0 | 0 | 0 | 0 | 0 | LVL | Digital lock detect (high = lock, low = unlock) (default). | 0 | 0 | 0 | 0 | 0 | 1 | DYN | P-channel, open-drain lock detect (analog lock detect). | 0 | 0 | 0 | 0 | 1 | 0 | DYN | N-channel, open-drain lock detect (analog lock detect). | 0 | 0 | 0 | 0 | 1 | 1 | HIZ | High-Z LD pin. | 0 | 0 | 0 | 1 | 0 | 0 | CUR | Current source lock detect (110 $\mu$ A when DLD is true). | 0 | X | X | X | X | X | LVL | Ground (dc); for all other cases of 0XXXXXb not specified previously. The selections that follow are the same as REFMON. | 1 | 0 | 0 | 0 | 0 | 0 | LVL | Ground (dc). | 1 | 0 | 0 | 0 | 0 | 1 | DYN | REF1 clock (differential reference when in differential mode). | 1 | 0 | 0 | 0 | 1 | 0 | DYN | REF2 clock (not available in differential mode). | 1 | 0 | 0 | 0 | 1 | 1 | DYN | Selected reference to PLL (differential reference when in differential mode). | 1 | 0 | 0 | 1 | 0 | 0 | DYN | Unselected reference to PLL (not available in differential mode). | 1 | 0 | 0 | 1 | 0 | 1 | LVL | Status of selected reference (status of differential reference); active high. | 1 | 0 | 0 | 1 | 1 | 0 | LVL | Status of unselected reference (not available in differential mode); active high. | 1 | 0 | 0 | 1 | 1 | 1 | LVL | Status REF1 frequency; active high. | 1 | 0 | 1 | 0 | 0 | 0 | LVL | Status REF2 frequency; active high. | 1 | 0 | 1 | 0 | 0 | 1 | LVL | (Status REF1 frequency) AND (status REF2 frequency). | 1 | 0 | 1 | 0 | 1 | 0 | LVL | (DLD) AND (status of selected reference) AND (status of VCO). | 1 | 0 | 1 | 0 | 1 | 1 | LVL | Status of VCO frequency (active high). | 1 | 0 | 1 | 1 | 0 | 0 | LVL | Selected reference (low = REF1, high = REF2). | 1 | 0 | 1 | 1 | 0 | 1 | LVL | Digital lock detect (DLD); active high. | 1 | 0 | 1 | 1 | 1 | 0 | LVL | Holdover active; active high. | 1 | 0 | 1 | 1 | 1 | 1 | LVL | Not available. Do not use. | 1 | 1 | 0 | 0 | 0 | 0 | LVL | VS (PLL supply). | 1 | 1 | 0 | 0 | 0 | 1 | DYN | REF1 clock (differential reference when in differential mode). | 1 | 1 | 0 | 0 | 1 | 0 | DYN | REF2 clock (not available in differential mode). | 1 | 1 | 0 | 0 | 1 | 1 | DYN | Selected reference to PLL (differential reference when in differential mode). | 1 | 1 | 0 | 1 | 0 | 0 | DYN | Unselected reference to PLL (not available in differential mode). | 1 | 1 | 0 | 1 | 0 | 1 | LVL | Status of selected reference (status of differential reference); active low. | 1 | 1 | 0 | 1 | 1 | 0 | LVL | Status of unselected reference (not available in differential mode); active low. | 1 | 1 | 0 | 1 | 1 | 1 | LVL | Status of REF1 frequency; active low. | 1 | 1 | 1 | 0 | 0 | 0 | LVL | Status of REF2 frequency; active low. | 1 | 1 | 1 | 0 | 0 | 1 | LVL | (Status of REF1 frequency) AND (status of REF2 frequency). | 1 | 1 | 1 | 0 | 1 | 0 | LVL | (DLD) AND (status of selected reference) AND (status of VCO). | 1 | 1 | 1 | 0 | 1 | 1 | LVL | Status of VCO frequency; active low. | 1 | 1 | 1 | 1 | 0 | 0 | LVL | Selected reference (low = REF2, high = REF1). | 1 | 1 | 1 | 1 | 0 | 1 | LVL | Digital lock detect (DLD); active low. | 1 | 1 | 1 | 1 | 1 | 0 | LVL | Holdover active; active low. | 1 | 1 | 1 | 1 | 1 | 1 | LVL | Not available. Do not use. |
| 5                | 4     | 3                                     | 2   | 1 | 0 | Level or Dynamic Signal | Signal at LD Pin   |   |   |                         |                  |   |   |   |   |   |   |     |  |   |   |   |   |   |   |     |   |   |   |   |   |   |   |     |   |   |   |   |   |   |   |     |                |   |   |   |   |   |   |     |  |   |   |   |   |   |   |     |  |   |   |   |   |   |   |     |              |   |   |   |   |   |   |     |  |   |   |   |   |   |   |     |  |   |   |   |   |   |   |     |   |   |   |   |   |   |   |     |   |   |   |   |   |   |   |     |   |   |   |   |   |   |   |     |   |   |   |   |   |   |   |     |                                     |   |   |   |   |   |   |     |                                     |   |   |   |   |   |   |     |  |   |   |   |   |   |   |     |   |   |   |   |   |   |   |     |  |   |   |   |   |   |   |     |   |   |   |   |   |   |   |     |   |   |   |   |   |   |   |     |                               |   |   |   |   |   |   |     |                            |   |   |   |   |   |   |     |                  |   |   |   |   |   |   |     |  |   |   |   |   |   |   |     |  |   |   |   |   |   |   |     |   |   |   |   |   |   |   |     |   |   |   |   |   |   |   |     |  |   |   |   |   |   |   |     |  |   |   |   |   |   |   |     |                                       |   |   |   |   |   |   |     |                                       |   |   |   |   |   |   |     |  |   |   |   |   |   |   |     |   |   |   |   |   |   |   |     |                                      |   |   |   |   |   |   |     |   |   |   |   |   |   |   |     |  |   |   |   |   |   |   |     |                              |   |   |   |   |   |   |     |                            |
| 0                | 0     | 0                                     | 0   | 0 | 0 | LVL                     | Digital lock detect (high = lock, low = unlock) (default).   |   |   |                         |                  |   |   |   |   |   |   |     |  |   |   |   |   |   |   |     |   |   |   |   |   |   |   |     |   |   |   |   |   |   |   |     |                |   |   |   |   |   |   |     |  |   |   |   |   |   |   |     |  |   |   |   |   |   |   |     |              |   |   |   |   |   |   |     |  |   |   |   |   |   |   |     |  |   |   |   |   |   |   |     |   |   |   |   |   |   |   |     |   |   |   |   |   |   |   |     |   |   |   |   |   |   |   |     |   |   |   |   |   |   |   |     |                                     |   |   |   |   |   |   |     |                                     |   |   |   |   |   |   |     |  |   |   |   |   |   |   |     |   |   |   |   |   |   |   |     |  |   |   |   |   |   |   |     |   |   |   |   |   |   |   |     |   |   |   |   |   |   |   |     |                               |   |   |   |   |   |   |     |                            |   |   |   |   |   |   |     |                  |   |   |   |   |   |   |     |  |   |   |   |   |   |   |     |  |   |   |   |   |   |   |     |   |   |   |   |   |   |   |     |   |   |   |   |   |   |   |     |  |   |   |   |   |   |   |     |  |   |   |   |   |   |   |     |                                       |   |   |   |   |   |   |     |                                       |   |   |   |   |   |   |     |  |   |   |   |   |   |   |     |   |   |   |   |   |   |   |     |                                      |   |   |   |   |   |   |     |   |   |   |   |   |   |   |     |  |   |   |   |   |   |   |     |                              |   |   |   |   |   |   |     |                            |
| 0                | 0     | 0                                     | 0   | 0 | 1 | DYN                     | P-channel, open-drain lock detect (analog lock detect).  |   |   |                         |                  |   |   |   |   |   |   |     |  |   |   |   |   |   |   |     |   |   |   |   |   |   |   |     |   |   |   |   |   |   |   |     |                |   |   |   |   |   |   |     |  |   |   |   |   |   |   |     |  |   |   |   |   |   |   |     |              |   |   |   |   |   |   |     |  |   |   |   |   |   |   |     |  |   |   |   |   |   |   |     |   |   |   |   |   |   |   |     |   |   |   |   |   |   |   |     |   |   |   |   |   |   |   |     |   |   |   |   |   |   |   |     |                                     |   |   |   |   |   |   |     |                                     |   |   |   |   |   |   |     |  |   |   |   |   |   |   |     |   |   |   |   |   |   |   |     |  |   |   |   |   |   |   |     |   |   |   |   |   |   |   |     |   |   |   |   |   |   |   |     |                               |   |   |   |   |   |   |     |                            |   |   |   |   |   |   |     |                  |   |   |   |   |   |   |     |  |   |   |   |   |   |   |     |  |   |   |   |   |   |   |     |   |   |   |   |   |   |   |     |   |   |   |   |   |   |   |     |  |   |   |   |   |   |   |     |  |   |   |   |   |   |   |     |                                       |   |   |   |   |   |   |     |                                       |   |   |   |   |   |   |     |  |   |   |   |   |   |   |     |   |   |   |   |   |   |   |     |                                      |   |   |   |   |   |   |     |   |   |   |   |   |   |   |     |  |   |   |   |   |   |   |     |                              |   |   |   |   |   |   |     |                            |
| 0                | 0     | 0                                     | 0   | 1 | 0 | DYN                     | N-channel, open-drain lock detect (analog lock detect).  |   |   |                         |                  |   |   |   |   |   |   |     |  |   |   |   |   |   |   |     |   |   |   |   |   |   |   |     |   |   |   |   |   |   |   |     |                |   |   |   |   |   |   |     |  |   |   |   |   |   |   |     |  |   |   |   |   |   |   |     |              |   |   |   |   |   |   |     |  |   |   |   |   |   |   |     |  |   |   |   |   |   |   |     |   |   |   |   |   |   |   |     |   |   |   |   |   |   |   |     |   |   |   |   |   |   |   |     |   |   |   |   |   |   |   |     |                                     |   |   |   |   |   |   |     |                                     |   |   |   |   |   |   |     |  |   |   |   |   |   |   |     |   |   |   |   |   |   |   |     |  |   |   |   |   |   |   |     |   |   |   |   |   |   |   |     |   |   |   |   |   |   |   |     |                               |   |   |   |   |   |   |     |                            |   |   |   |   |   |   |     |                  |   |   |   |   |   |   |     |  |   |   |   |   |   |   |     |  |   |   |   |   |   |   |     |   |   |   |   |   |   |   |     |   |   |   |   |   |   |   |     |  |   |   |   |   |   |   |     |  |   |   |   |   |   |   |     |                                       |   |   |   |   |   |   |     |                                       |   |   |   |   |   |   |     |  |   |   |   |   |   |   |     |   |   |   |   |   |   |   |     |                                      |   |   |   |   |   |   |     |   |   |   |   |   |   |   |     |  |   |   |   |   |   |   |     |                              |   |   |   |   |   |   |     |                            |
| 0                | 0     | 0                                     | 0   | 1 | 1 | HIZ                     | High-Z LD pin.   |   |   |                         |                  |   |   |   |   |   |   |     |  |   |   |   |   |   |   |     |   |   |   |   |   |   |   |     |   |   |   |   |   |   |   |     |                |   |   |   |   |   |   |     |  |   |   |   |   |   |   |     |  |   |   |   |   |   |   |     |              |   |   |   |   |   |   |     |  |   |   |   |   |   |   |     |  |   |   |   |   |   |   |     |   |   |   |   |   |   |   |     |   |   |   |   |   |   |   |     |   |   |   |   |   |   |   |     |   |   |   |   |   |   |   |     |                                     |   |   |   |   |   |   |     |                                     |   |   |   |   |   |   |     |  |   |   |   |   |   |   |     |   |   |   |   |   |   |   |     |  |   |   |   |   |   |   |     |   |   |   |   |   |   |   |     |   |   |   |   |   |   |   |     |                               |   |   |   |   |   |   |     |                            |   |   |   |   |   |   |     |                  |   |   |   |   |   |   |     |  |   |   |   |   |   |   |     |  |   |   |   |   |   |   |     |   |   |   |   |   |   |   |     |   |   |   |   |   |   |   |     |  |   |   |   |   |   |   |     |  |   |   |   |   |   |   |     |                                       |   |   |   |   |   |   |     |                                       |   |   |   |   |   |   |     |  |   |   |   |   |   |   |     |   |   |   |   |   |   |   |     |                                      |   |   |   |   |   |   |     |   |   |   |   |   |   |   |     |  |   |   |   |   |   |   |     |                              |   |   |   |   |   |   |     |                            |
| 0                | 0     | 0                                     | 1   | 0 | 0 | CUR                     | Current source lock detect (110 $\mu$ A when DLD is true).   |   |   |                         |                  |   |   |   |   |   |   |     |  |   |   |   |   |   |   |     |   |   |   |   |   |   |   |     |   |   |   |   |   |   |   |     |                |   |   |   |   |   |   |     |  |   |   |   |   |   |   |     |  |   |   |   |   |   |   |     |              |   |   |   |   |   |   |     |  |   |   |   |   |   |   |     |  |   |   |   |   |   |   |     |   |   |   |   |   |   |   |     |   |   |   |   |   |   |   |     |   |   |   |   |   |   |   |     |   |   |   |   |   |   |   |     |                                     |   |   |   |   |   |   |     |                                     |   |   |   |   |   |   |     |  |   |   |   |   |   |   |     |   |   |   |   |   |   |   |     |  |   |   |   |   |   |   |     |   |   |   |   |   |   |   |     |   |   |   |   |   |   |   |     |                               |   |   |   |   |   |   |     |                            |   |   |   |   |   |   |     |                  |   |   |   |   |   |   |     |  |   |   |   |   |   |   |     |  |   |   |   |   |   |   |     |   |   |   |   |   |   |   |     |   |   |   |   |   |   |   |     |  |   |   |   |   |   |   |     |  |   |   |   |   |   |   |     |                                       |   |   |   |   |   |   |     |                                       |   |   |   |   |   |   |     |  |   |   |   |   |   |   |     |   |   |   |   |   |   |   |     |                                      |   |   |   |   |   |   |     |   |   |   |   |   |   |   |     |  |   |   |   |   |   |   |     |                              |   |   |   |   |   |   |     |                            |
| 0                | X     | X                                     | X   | X | X | LVL                     | Ground (dc); for all other cases of 0XXXXXb not specified previously. The selections that follow are the same as REFMON. |   |   |                         |                  |   |   |   |   |   |   |     |  |   |   |   |   |   |   |     |   |   |   |   |   |   |   |     |   |   |   |   |   |   |   |     |                |   |   |   |   |   |   |     |  |   |   |   |   |   |   |     |  |   |   |   |   |   |   |     |              |   |   |   |   |   |   |     |  |   |   |   |   |   |   |     |  |   |   |   |   |   |   |     |   |   |   |   |   |   |   |     |   |   |   |   |   |   |   |     |   |   |   |   |   |   |   |     |   |   |   |   |   |   |   |     |                                     |   |   |   |   |   |   |     |                                     |   |   |   |   |   |   |     |  |   |   |   |   |   |   |     |   |   |   |   |   |   |   |     |  |   |   |   |   |   |   |     |   |   |   |   |   |   |   |     |   |   |   |   |   |   |   |     |                               |   |   |   |   |   |   |     |                            |   |   |   |   |   |   |     |                  |   |   |   |   |   |   |     |  |   |   |   |   |   |   |     |  |   |   |   |   |   |   |     |   |   |   |   |   |   |   |     |   |   |   |   |   |   |   |     |  |   |   |   |   |   |   |     |  |   |   |   |   |   |   |     |                                       |   |   |   |   |   |   |     |                                       |   |   |   |   |   |   |     |  |   |   |   |   |   |   |     |   |   |   |   |   |   |   |     |                                      |   |   |   |   |   |   |     |   |   |   |   |   |   |   |     |  |   |   |   |   |   |   |     |                              |   |   |   |   |   |   |     |                            |
| 1                | 0     | 0                                     | 0   | 0 | 0 | LVL                     | Ground (dc).   |   |   |                         |                  |   |   |   |   |   |   |     |  |   |   |   |   |   |   |     |   |   |   |   |   |   |   |     |   |   |   |   |   |   |   |     |                |   |   |   |   |   |   |     |  |   |   |   |   |   |   |     |  |   |   |   |   |   |   |     |              |   |   |   |   |   |   |     |  |   |   |   |   |   |   |     |  |   |   |   |   |   |   |     |   |   |   |   |   |   |   |     |   |   |   |   |   |   |   |     |   |   |   |   |   |   |   |     |   |   |   |   |   |   |   |     |                                     |   |   |   |   |   |   |     |                                     |   |   |   |   |   |   |     |  |   |   |   |   |   |   |     |   |   |   |   |   |   |   |     |  |   |   |   |   |   |   |     |   |   |   |   |   |   |   |     |   |   |   |   |   |   |   |     |                               |   |   |   |   |   |   |     |                            |   |   |   |   |   |   |     |                  |   |   |   |   |   |   |     |  |   |   |   |   |   |   |     |  |   |   |   |   |   |   |     |   |   |   |   |   |   |   |     |   |   |   |   |   |   |   |     |  |   |   |   |   |   |   |     |  |   |   |   |   |   |   |     |                                       |   |   |   |   |   |   |     |                                       |   |   |   |   |   |   |     |  |   |   |   |   |   |   |     |   |   |   |   |   |   |   |     |                                      |   |   |   |   |   |   |     |   |   |   |   |   |   |   |     |  |   |   |   |   |   |   |     |                              |   |   |   |   |   |   |     |                            |
| 1                | 0     | 0                                     | 0   | 0 | 1 | DYN                     | REF1 clock (differential reference when in differential mode).   |   |   |                         |                  |   |   |   |   |   |   |     |  |   |   |   |   |   |   |     |   |   |   |   |   |   |   |     |   |   |   |   |   |   |   |     |                |   |   |   |   |   |   |     |  |   |   |   |   |   |   |     |  |   |   |   |   |   |   |     |              |   |   |   |   |   |   |     |  |   |   |   |   |   |   |     |  |   |   |   |   |   |   |     |   |   |   |   |   |   |   |     |   |   |   |   |   |   |   |     |   |   |   |   |   |   |   |     |   |   |   |   |   |   |   |     |                                     |   |   |   |   |   |   |     |                                     |   |   |   |   |   |   |     |  |   |   |   |   |   |   |     |   |   |   |   |   |   |   |     |  |   |   |   |   |   |   |     |   |   |   |   |   |   |   |     |   |   |   |   |   |   |   |     |                               |   |   |   |   |   |   |     |                            |   |   |   |   |   |   |     |                  |   |   |   |   |   |   |     |  |   |   |   |   |   |   |     |  |   |   |   |   |   |   |     |   |   |   |   |   |   |   |     |   |   |   |   |   |   |   |     |  |   |   |   |   |   |   |     |  |   |   |   |   |   |   |     |                                       |   |   |   |   |   |   |     |                                       |   |   |   |   |   |   |     |  |   |   |   |   |   |   |     |   |   |   |   |   |   |   |     |                                      |   |   |   |   |   |   |     |   |   |   |   |   |   |   |     |  |   |   |   |   |   |   |     |                              |   |   |   |   |   |   |     |                            |
| 1                | 0     | 0                                     | 0   | 1 | 0 | DYN                     | REF2 clock (not available in differential mode).   |   |   |                         |                  |   |   |   |   |   |   |     |  |   |   |   |   |   |   |     |   |   |   |   |   |   |   |     |   |   |   |   |   |   |   |     |                |   |   |   |   |   |   |     |  |   |   |   |   |   |   |     |  |   |   |   |   |   |   |     |              |   |   |   |   |   |   |     |  |   |   |   |   |   |   |     |  |   |   |   |   |   |   |     |   |   |   |   |   |   |   |     |   |   |   |   |   |   |   |     |   |   |   |   |   |   |   |     |   |   |   |   |   |   |   |     |                                     |   |   |   |   |   |   |     |                                     |   |   |   |   |   |   |     |  |   |   |   |   |   |   |     |   |   |   |   |   |   |   |     |  |   |   |   |   |   |   |     |   |   |   |   |   |   |   |     |   |   |   |   |   |   |   |     |                               |   |   |   |   |   |   |     |                            |   |   |   |   |   |   |     |                  |   |   |   |   |   |   |     |  |   |   |   |   |   |   |     |  |   |   |   |   |   |   |     |   |   |   |   |   |   |   |     |   |   |   |   |   |   |   |     |  |   |   |   |   |   |   |     |  |   |   |   |   |   |   |     |                                       |   |   |   |   |   |   |     |                                       |   |   |   |   |   |   |     |  |   |   |   |   |   |   |     |   |   |   |   |   |   |   |     |                                      |   |   |   |   |   |   |     |   |   |   |   |   |   |   |     |  |   |   |   |   |   |   |     |                              |   |   |   |   |   |   |     |                            |
| 1                | 0     | 0                                     | 0   | 1 | 1 | DYN                     | Selected reference to PLL (differential reference when in differential mode).  |   |   |                         |                  |   |   |   |   |   |   |     |  |   |   |   |   |   |   |     |   |   |   |   |   |   |   |     |   |   |   |   |   |   |   |     |                |   |   |   |   |   |   |     |  |   |   |   |   |   |   |     |  |   |   |   |   |   |   |     |              |   |   |   |   |   |   |     |  |   |   |   |   |   |   |     |  |   |   |   |   |   |   |     |   |   |   |   |   |   |   |     |   |   |   |   |   |   |   |     |   |   |   |   |   |   |   |     |   |   |   |   |   |   |   |     |                                     |   |   |   |   |   |   |     |                                     |   |   |   |   |   |   |     |  |   |   |   |   |   |   |     |   |   |   |   |   |   |   |     |  |   |   |   |   |   |   |     |   |   |   |   |   |   |   |     |   |   |   |   |   |   |   |     |                               |   |   |   |   |   |   |     |                            |   |   |   |   |   |   |     |                  |   |   |   |   |   |   |     |  |   |   |   |   |   |   |     |  |   |   |   |   |   |   |     |   |   |   |   |   |   |   |     |   |   |   |   |   |   |   |     |  |   |   |   |   |   |   |     |  |   |   |   |   |   |   |     |                                       |   |   |   |   |   |   |     |                                       |   |   |   |   |   |   |     |  |   |   |   |   |   |   |     |   |   |   |   |   |   |   |     |                                      |   |   |   |   |   |   |     |   |   |   |   |   |   |   |     |  |   |   |   |   |   |   |     |                              |   |   |   |   |   |   |     |                            |
| 1                | 0     | 0                                     | 1   | 0 | 0 | DYN                     | Unselected reference to PLL (not available in differential mode).  |   |   |                         |                  |   |   |   |   |   |   |     |  |   |   |   |   |   |   |     |   |   |   |   |   |   |   |     |   |   |   |   |   |   |   |     |                |   |   |   |   |   |   |     |  |   |   |   |   |   |   |     |  |   |   |   |   |   |   |     |              |   |   |   |   |   |   |     |  |   |   |   |   |   |   |     |  |   |   |   |   |   |   |     |   |   |   |   |   |   |   |     |   |   |   |   |   |   |   |     |   |   |   |   |   |   |   |     |   |   |   |   |   |   |   |     |                                     |   |   |   |   |   |   |     |                                     |   |   |   |   |   |   |     |  |   |   |   |   |   |   |     |   |   |   |   |   |   |   |     |  |   |   |   |   |   |   |     |   |   |   |   |   |   |   |     |   |   |   |   |   |   |   |     |                               |   |   |   |   |   |   |     |                            |   |   |   |   |   |   |     |                  |   |   |   |   |   |   |     |  |   |   |   |   |   |   |     |  |   |   |   |   |   |   |     |   |   |   |   |   |   |   |     |   |   |   |   |   |   |   |     |  |   |   |   |   |   |   |     |  |   |   |   |   |   |   |     |                                       |   |   |   |   |   |   |     |                                       |   |   |   |   |   |   |     |  |   |   |   |   |   |   |     |   |   |   |   |   |   |   |     |                                      |   |   |   |   |   |   |     |   |   |   |   |   |   |   |     |  |   |   |   |   |   |   |     |                              |   |   |   |   |   |   |     |                            |
| 1                | 0     | 0                                     | 1   | 0 | 1 | LVL                     | Status of selected reference (status of differential reference); active high.  |   |   |                         |                  |   |   |   |   |   |   |     |  |   |   |   |   |   |   |     |   |   |   |   |   |   |   |     |   |   |   |   |   |   |   |     |                |   |   |   |   |   |   |     |  |   |   |   |   |   |   |     |  |   |   |   |   |   |   |     |              |   |   |   |   |   |   |     |  |   |   |   |   |   |   |     |  |   |   |   |   |   |   |     |   |   |   |   |   |   |   |     |   |   |   |   |   |   |   |     |   |   |   |   |   |   |   |     |   |   |   |   |   |   |   |     |                                     |   |   |   |   |   |   |     |                                     |   |   |   |   |   |   |     |  |   |   |   |   |   |   |     |   |   |   |   |   |   |   |     |  |   |   |   |   |   |   |     |   |   |   |   |   |   |   |     |   |   |   |   |   |   |   |     |                               |   |   |   |   |   |   |     |                            |   |   |   |   |   |   |     |                  |   |   |   |   |   |   |     |  |   |   |   |   |   |   |     |  |   |   |   |   |   |   |     |   |   |   |   |   |   |   |     |   |   |   |   |   |   |   |     |  |   |   |   |   |   |   |     |  |   |   |   |   |   |   |     |                                       |   |   |   |   |   |   |     |                                       |   |   |   |   |   |   |     |  |   |   |   |   |   |   |     |   |   |   |   |   |   |   |     |                                      |   |   |   |   |   |   |     |   |   |   |   |   |   |   |     |  |   |   |   |   |   |   |     |                              |   |   |   |   |   |   |     |                            |
| 1                | 0     | 0                                     | 1   | 1 | 0 | LVL                     | Status of unselected reference (not available in differential mode); active high.  |   |   |                         |                  |   |   |   |   |   |   |     |  |   |   |   |   |   |   |     |   |   |   |   |   |   |   |     |   |   |   |   |   |   |   |     |                |   |   |   |   |   |   |     |  |   |   |   |   |   |   |     |  |   |   |   |   |   |   |     |              |   |   |   |   |   |   |     |  |   |   |   |   |   |   |     |  |   |   |   |   |   |   |     |   |   |   |   |   |   |   |     |   |   |   |   |   |   |   |     |   |   |   |   |   |   |   |     |   |   |   |   |   |   |   |     |                                     |   |   |   |   |   |   |     |                                     |   |   |   |   |   |   |     |  |   |   |   |   |   |   |     |   |   |   |   |   |   |   |     |  |   |   |   |   |   |   |     |   |   |   |   |   |   |   |     |   |   |   |   |   |   |   |     |                               |   |   |   |   |   |   |     |                            |   |   |   |   |   |   |     |                  |   |   |   |   |   |   |     |  |   |   |   |   |   |   |     |  |   |   |   |   |   |   |     |   |   |   |   |   |   |   |     |   |   |   |   |   |   |   |     |  |   |   |   |   |   |   |     |  |   |   |   |   |   |   |     |                                       |   |   |   |   |   |   |     |                                       |   |   |   |   |   |   |     |  |   |   |   |   |   |   |     |   |   |   |   |   |   |   |     |                                      |   |   |   |   |   |   |     |   |   |   |   |   |   |   |     |  |   |   |   |   |   |   |     |                              |   |   |   |   |   |   |     |                            |
| 1                | 0     | 0                                     | 1   | 1 | 1 | LVL                     | Status REF1 frequency; active high.  |   |   |                         |                  |   |   |   |   |   |   |     |  |   |   |   |   |   |   |     |   |   |   |   |   |   |   |     |   |   |   |   |   |   |   |     |                |   |   |   |   |   |   |     |  |   |   |   |   |   |   |     |  |   |   |   |   |   |   |     |              |   |   |   |   |   |   |     |  |   |   |   |   |   |   |     |  |   |   |   |   |   |   |     |   |   |   |   |   |   |   |     |   |   |   |   |   |   |   |     |   |   |   |   |   |   |   |     |   |   |   |   |   |   |   |     |                                     |   |   |   |   |   |   |     |                                     |   |   |   |   |   |   |     |  |   |   |   |   |   |   |     |   |   |   |   |   |   |   |     |  |   |   |   |   |   |   |     |   |   |   |   |   |   |   |     |   |   |   |   |   |   |   |     |                               |   |   |   |   |   |   |     |                            |   |   |   |   |   |   |     |                  |   |   |   |   |   |   |     |  |   |   |   |   |   |   |     |  |   |   |   |   |   |   |     |   |   |   |   |   |   |   |     |   |   |   |   |   |   |   |     |  |   |   |   |   |   |   |     |  |   |   |   |   |   |   |     |                                       |   |   |   |   |   |   |     |                                       |   |   |   |   |   |   |     |  |   |   |   |   |   |   |     |   |   |   |   |   |   |   |     |                                      |   |   |   |   |   |   |     |   |   |   |   |   |   |   |     |  |   |   |   |   |   |   |     |                              |   |   |   |   |   |   |     |                            |
| 1                | 0     | 1                                     | 0   | 0 | 0 | LVL                     | Status REF2 frequency; active high.  |   |   |                         |                  |   |   |   |   |   |   |     |  |   |   |   |   |   |   |     |   |   |   |   |   |   |   |     |   |   |   |   |   |   |   |     |                |   |   |   |   |   |   |     |  |   |   |   |   |   |   |     |  |   |   |   |   |   |   |     |              |   |   |   |   |   |   |     |  |   |   |   |   |   |   |     |  |   |   |   |   |   |   |     |   |   |   |   |   |   |   |     |   |   |   |   |   |   |   |     |   |   |   |   |   |   |   |     |   |   |   |   |   |   |   |     |                                     |   |   |   |   |   |   |     |                                     |   |   |   |   |   |   |     |  |   |   |   |   |   |   |     |   |   |   |   |   |   |   |     |  |   |   |   |   |   |   |     |   |   |   |   |   |   |   |     |   |   |   |   |   |   |   |     |                               |   |   |   |   |   |   |     |                            |   |   |   |   |   |   |     |                  |   |   |   |   |   |   |     |  |   |   |   |   |   |   |     |  |   |   |   |   |   |   |     |   |   |   |   |   |   |   |     |   |   |   |   |   |   |   |     |  |   |   |   |   |   |   |     |  |   |   |   |   |   |   |     |                                       |   |   |   |   |   |   |     |                                       |   |   |   |   |   |   |     |  |   |   |   |   |   |   |     |   |   |   |   |   |   |   |     |                                      |   |   |   |   |   |   |     |   |   |   |   |   |   |   |     |  |   |   |   |   |   |   |     |                              |   |   |   |   |   |   |     |                            |
| 1                | 0     | 1                                     | 0   | 0 | 1 | LVL                     | (Status REF1 frequency) AND (status REF2 frequency).   |   |   |                         |                  |   |   |   |   |   |   |     |  |   |   |   |   |   |   |     |   |   |   |   |   |   |   |     |   |   |   |   |   |   |   |     |                |   |   |   |   |   |   |     |  |   |   |   |   |   |   |     |  |   |   |   |   |   |   |     |              |   |   |   |   |   |   |     |  |   |   |   |   |   |   |     |  |   |   |   |   |   |   |     |   |   |   |   |   |   |   |     |   |   |   |   |   |   |   |     |   |   |   |   |   |   |   |     |   |   |   |   |   |   |   |     |                                     |   |   |   |   |   |   |     |                                     |   |   |   |   |   |   |     |  |   |   |   |   |   |   |     |   |   |   |   |   |   |   |     |  |   |   |   |   |   |   |     |   |   |   |   |   |   |   |     |   |   |   |   |   |   |   |     |                               |   |   |   |   |   |   |     |                            |   |   |   |   |   |   |     |                  |   |   |   |   |   |   |     |  |   |   |   |   |   |   |     |  |   |   |   |   |   |   |     |   |   |   |   |   |   |   |     |   |   |   |   |   |   |   |     |  |   |   |   |   |   |   |     |  |   |   |   |   |   |   |     |                                       |   |   |   |   |   |   |     |                                       |   |   |   |   |   |   |     |  |   |   |   |   |   |   |     |   |   |   |   |   |   |   |     |                                      |   |   |   |   |   |   |     |   |   |   |   |   |   |   |     |  |   |   |   |   |   |   |     |                              |   |   |   |   |   |   |     |                            |
| 1                | 0     | 1                                     | 0   | 1 | 0 | LVL                     | (DLD) AND (status of selected reference) AND (status of VCO).  |   |   |                         |                  |   |   |   |   |   |   |     |  |   |   |   |   |   |   |     |   |   |   |   |   |   |   |     |   |   |   |   |   |   |   |     |                |   |   |   |   |   |   |     |  |   |   |   |   |   |   |     |  |   |   |   |   |   |   |     |              |   |   |   |   |   |   |     |  |   |   |   |   |   |   |     |  |   |   |   |   |   |   |     |   |   |   |   |   |   |   |     |   |   |   |   |   |   |   |     |   |   |   |   |   |   |   |     |   |   |   |   |   |   |   |     |                                     |   |   |   |   |   |   |     |                                     |   |   |   |   |   |   |     |  |   |   |   |   |   |   |     |   |   |   |   |   |   |   |     |  |   |   |   |   |   |   |     |   |   |   |   |   |   |   |     |   |   |   |   |   |   |   |     |                               |   |   |   |   |   |   |     |                            |   |   |   |   |   |   |     |                  |   |   |   |   |   |   |     |  |   |   |   |   |   |   |     |  |   |   |   |   |   |   |     |   |   |   |   |   |   |   |     |   |   |   |   |   |   |   |     |  |   |   |   |   |   |   |     |  |   |   |   |   |   |   |     |                                       |   |   |   |   |   |   |     |                                       |   |   |   |   |   |   |     |  |   |   |   |   |   |   |     |   |   |   |   |   |   |   |     |                                      |   |   |   |   |   |   |     |   |   |   |   |   |   |   |     |  |   |   |   |   |   |   |     |                              |   |   |   |   |   |   |     |                            |
| 1                | 0     | 1                                     | 0   | 1 | 1 | LVL                     | Status of VCO frequency (active high).   |   |   |                         |                  |   |   |   |   |   |   |     |  |   |   |   |   |   |   |     |   |   |   |   |   |   |   |     |   |   |   |   |   |   |   |     |                |   |   |   |   |   |   |     |  |   |   |   |   |   |   |     |  |   |   |   |   |   |   |     |              |   |   |   |   |   |   |     |  |   |   |   |   |   |   |     |  |   |   |   |   |   |   |     |   |   |   |   |   |   |   |     |   |   |   |   |   |   |   |     |   |   |   |   |   |   |   |     |   |   |   |   |   |   |   |     |                                     |   |   |   |   |   |   |     |                                     |   |   |   |   |   |   |     |  |   |   |   |   |   |   |     |   |   |   |   |   |   |   |     |  |   |   |   |   |   |   |     |   |   |   |   |   |   |   |     |   |   |   |   |   |   |   |     |                               |   |   |   |   |   |   |     |                            |   |   |   |   |   |   |     |                  |   |   |   |   |   |   |     |  |   |   |   |   |   |   |     |  |   |   |   |   |   |   |     |   |   |   |   |   |   |   |     |   |   |   |   |   |   |   |     |  |   |   |   |   |   |   |     |  |   |   |   |   |   |   |     |                                       |   |   |   |   |   |   |     |                                       |   |   |   |   |   |   |     |  |   |   |   |   |   |   |     |   |   |   |   |   |   |   |     |                                      |   |   |   |   |   |   |     |   |   |   |   |   |   |   |     |  |   |   |   |   |   |   |     |                              |   |   |   |   |   |   |     |                            |
| 1                | 0     | 1                                     | 1   | 0 | 0 | LVL                     | Selected reference (low = REF1, high = REF2).  |   |   |                         |                  |   |   |   |   |   |   |     |  |   |   |   |   |   |   |     |   |   |   |   |   |   |   |     |   |   |   |   |   |   |   |     |                |   |   |   |   |   |   |     |  |   |   |   |   |   |   |     |  |   |   |   |   |   |   |     |              |   |   |   |   |   |   |     |  |   |   |   |   |   |   |     |  |   |   |   |   |   |   |     |   |   |   |   |   |   |   |     |   |   |   |   |   |   |   |     |   |   |   |   |   |   |   |     |   |   |   |   |   |   |   |     |                                     |   |   |   |   |   |   |     |                                     |   |   |   |   |   |   |     |  |   |   |   |   |   |   |     |   |   |   |   |   |   |   |     |  |   |   |   |   |   |   |     |   |   |   |   |   |   |   |     |   |   |   |   |   |   |   |     |                               |   |   |   |   |   |   |     |                            |   |   |   |   |   |   |     |                  |   |   |   |   |   |   |     |  |   |   |   |   |   |   |     |  |   |   |   |   |   |   |     |   |   |   |   |   |   |   |     |   |   |   |   |   |   |   |     |  |   |   |   |   |   |   |     |  |   |   |   |   |   |   |     |                                       |   |   |   |   |   |   |     |                                       |   |   |   |   |   |   |     |  |   |   |   |   |   |   |     |   |   |   |   |   |   |   |     |                                      |   |   |   |   |   |   |     |   |   |   |   |   |   |   |     |  |   |   |   |   |   |   |     |                              |   |   |   |   |   |   |     |                            |
| 1                | 0     | 1                                     | 1   | 0 | 1 | LVL                     | Digital lock detect (DLD); active high.  |   |   |                         |                  |   |   |   |   |   |   |     |  |   |   |   |   |   |   |     |   |   |   |   |   |   |   |     |   |   |   |   |   |   |   |     |                |   |   |   |   |   |   |     |  |   |   |   |   |   |   |     |  |   |   |   |   |   |   |     |              |   |   |   |   |   |   |     |  |   |   |   |   |   |   |     |  |   |   |   |   |   |   |     |   |   |   |   |   |   |   |     |   |   |   |   |   |   |   |     |   |   |   |   |   |   |   |     |   |   |   |   |   |   |   |     |                                     |   |   |   |   |   |   |     |                                     |   |   |   |   |   |   |     |  |   |   |   |   |   |   |     |   |   |   |   |   |   |   |     |  |   |   |   |   |   |   |     |   |   |   |   |   |   |   |     |   |   |   |   |   |   |   |     |                               |   |   |   |   |   |   |     |                            |   |   |   |   |   |   |     |                  |   |   |   |   |   |   |     |  |   |   |   |   |   |   |     |  |   |   |   |   |   |   |     |   |   |   |   |   |   |   |     |   |   |   |   |   |   |   |     |  |   |   |   |   |   |   |     |  |   |   |   |   |   |   |     |                                       |   |   |   |   |   |   |     |                                       |   |   |   |   |   |   |     |  |   |   |   |   |   |   |     |   |   |   |   |   |   |   |     |                                      |   |   |   |   |   |   |     |   |   |   |   |   |   |   |     |  |   |   |   |   |   |   |     |                              |   |   |   |   |   |   |     |                            |
| 1                | 0     | 1                                     | 1   | 1 | 0 | LVL                     | Holdover active; active high.  |   |   |                         |                  |   |   |   |   |   |   |     |  |   |   |   |   |   |   |     |   |   |   |   |   |   |   |     |   |   |   |   |   |   |   |     |                |   |   |   |   |   |   |     |  |   |   |   |   |   |   |     |  |   |   |   |   |   |   |     |              |   |   |   |   |   |   |     |  |   |   |   |   |   |   |     |  |   |   |   |   |   |   |     |   |   |   |   |   |   |   |     |   |   |   |   |   |   |   |     |   |   |   |   |   |   |   |     |   |   |   |   |   |   |   |     |                                     |   |   |   |   |   |   |     |                                     |   |   |   |   |   |   |     |  |   |   |   |   |   |   |     |   |   |   |   |   |   |   |     |  |   |   |   |   |   |   |     |   |   |   |   |   |   |   |     |   |   |   |   |   |   |   |     |                               |   |   |   |   |   |   |     |                            |   |   |   |   |   |   |     |                  |   |   |   |   |   |   |     |  |   |   |   |   |   |   |     |  |   |   |   |   |   |   |     |   |   |   |   |   |   |   |     |   |   |   |   |   |   |   |     |  |   |   |   |   |   |   |     |  |   |   |   |   |   |   |     |                                       |   |   |   |   |   |   |     |                                       |   |   |   |   |   |   |     |  |   |   |   |   |   |   |     |   |   |   |   |   |   |   |     |                                      |   |   |   |   |   |   |     |   |   |   |   |   |   |   |     |  |   |   |   |   |   |   |     |                              |   |   |   |   |   |   |     |                            |
| 1                | 0     | 1                                     | 1   | 1 | 1 | LVL                     | Not available. Do not use.   |   |   |                         |                  |   |   |   |   |   |   |     |  |   |   |   |   |   |   |     |   |   |   |   |   |   |   |     |   |   |   |   |   |   |   |     |                |   |   |   |   |   |   |     |  |   |   |   |   |   |   |     |  |   |   |   |   |   |   |     |              |   |   |   |   |   |   |     |  |   |   |   |   |   |   |     |  |   |   |   |   |   |   |     |   |   |   |   |   |   |   |     |   |   |   |   |   |   |   |     |   |   |   |   |   |   |   |     |   |   |   |   |   |   |   |     |                                     |   |   |   |   |   |   |     |                                     |   |   |   |   |   |   |     |  |   |   |   |   |   |   |     |   |   |   |   |   |   |   |     |  |   |   |   |   |   |   |     |   |   |   |   |   |   |   |     |   |   |   |   |   |   |   |     |                               |   |   |   |   |   |   |     |                            |   |   |   |   |   |   |     |                  |   |   |   |   |   |   |     |  |   |   |   |   |   |   |     |  |   |   |   |   |   |   |     |   |   |   |   |   |   |   |     |   |   |   |   |   |   |   |     |  |   |   |   |   |   |   |     |  |   |   |   |   |   |   |     |                                       |   |   |   |   |   |   |     |                                       |   |   |   |   |   |   |     |  |   |   |   |   |   |   |     |   |   |   |   |   |   |   |     |                                      |   |   |   |   |   |   |     |   |   |   |   |   |   |   |     |  |   |   |   |   |   |   |     |                              |   |   |   |   |   |   |     |                            |
| 1                | 1     | 0                                     | 0   | 0 | 0 | LVL                     | VS (PLL supply).   |   |   |                         |                  |   |   |   |   |   |   |     |  |   |   |   |   |   |   |     |   |   |   |   |   |   |   |     |   |   |   |   |   |   |   |     |                |   |   |   |   |   |   |     |  |   |   |   |   |   |   |     |  |   |   |   |   |   |   |     |              |   |   |   |   |   |   |     |  |   |   |   |   |   |   |     |  |   |   |   |   |   |   |     |   |   |   |   |   |   |   |     |   |   |   |   |   |   |   |     |   |   |   |   |   |   |   |     |   |   |   |   |   |   |   |     |                                     |   |   |   |   |   |   |     |                                     |   |   |   |   |   |   |     |  |   |   |   |   |   |   |     |   |   |   |   |   |   |   |     |  |   |   |   |   |   |   |     |   |   |   |   |   |   |   |     |   |   |   |   |   |   |   |     |                               |   |   |   |   |   |   |     |                            |   |   |   |   |   |   |     |                  |   |   |   |   |   |   |     |  |   |   |   |   |   |   |     |  |   |   |   |   |   |   |     |   |   |   |   |   |   |   |     |   |   |   |   |   |   |   |     |  |   |   |   |   |   |   |     |  |   |   |   |   |   |   |     |                                       |   |   |   |   |   |   |     |                                       |   |   |   |   |   |   |     |  |   |   |   |   |   |   |     |   |   |   |   |   |   |   |     |                                      |   |   |   |   |   |   |     |   |   |   |   |   |   |   |     |  |   |   |   |   |   |   |     |                              |   |   |   |   |   |   |     |                            |
| 1                | 1     | 0                                     | 0   | 0 | 1 | DYN                     | REF1 clock (differential reference when in differential mode).   |   |   |                         |                  |   |   |   |   |   |   |     |  |   |   |   |   |   |   |     |   |   |   |   |   |   |   |     |   |   |   |   |   |   |   |     |                |   |   |   |   |   |   |     |  |   |   |   |   |   |   |     |  |   |   |   |   |   |   |     |              |   |   |   |   |   |   |     |  |   |   |   |   |   |   |     |  |   |   |   |   |   |   |     |   |   |   |   |   |   |   |     |   |   |   |   |   |   |   |     |   |   |   |   |   |   |   |     |   |   |   |   |   |   |   |     |                                     |   |   |   |   |   |   |     |                                     |   |   |   |   |   |   |     |  |   |   |   |   |   |   |     |   |   |   |   |   |   |   |     |  |   |   |   |   |   |   |     |   |   |   |   |   |   |   |     |   |   |   |   |   |   |   |     |                               |   |   |   |   |   |   |     |                            |   |   |   |   |   |   |     |                  |   |   |   |   |   |   |     |  |   |   |   |   |   |   |     |  |   |   |   |   |   |   |     |   |   |   |   |   |   |   |     |   |   |   |   |   |   |   |     |  |   |   |   |   |   |   |     |  |   |   |   |   |   |   |     |                                       |   |   |   |   |   |   |     |                                       |   |   |   |   |   |   |     |  |   |   |   |   |   |   |     |   |   |   |   |   |   |   |     |                                      |   |   |   |   |   |   |     |   |   |   |   |   |   |   |     |  |   |   |   |   |   |   |     |                              |   |   |   |   |   |   |     |                            |
| 1                | 1     | 0                                     | 0   | 1 | 0 | DYN                     | REF2 clock (not available in differential mode).   |   |   |                         |                  |   |   |   |   |   |   |     |  |   |   |   |   |   |   |     |   |   |   |   |   |   |   |     |   |   |   |   |   |   |   |     |                |   |   |   |   |   |   |     |  |   |   |   |   |   |   |     |  |   |   |   |   |   |   |     |              |   |   |   |   |   |   |     |  |   |   |   |   |   |   |     |  |   |   |   |   |   |   |     |   |   |   |   |   |   |   |     |   |   |   |   |   |   |   |     |   |   |   |   |   |   |   |     |   |   |   |   |   |   |   |     |                                     |   |   |   |   |   |   |     |                                     |   |   |   |   |   |   |     |  |   |   |   |   |   |   |     |   |   |   |   |   |   |   |     |  |   |   |   |   |   |   |     |   |   |   |   |   |   |   |     |   |   |   |   |   |   |   |     |                               |   |   |   |   |   |   |     |                            |   |   |   |   |   |   |     |                  |   |   |   |   |   |   |     |  |   |   |   |   |   |   |     |  |   |   |   |   |   |   |     |   |   |   |   |   |   |   |     |   |   |   |   |   |   |   |     |  |   |   |   |   |   |   |     |  |   |   |   |   |   |   |     |                                       |   |   |   |   |   |   |     |                                       |   |   |   |   |   |   |     |  |   |   |   |   |   |   |     |   |   |   |   |   |   |   |     |                                      |   |   |   |   |   |   |     |   |   |   |   |   |   |   |     |  |   |   |   |   |   |   |     |                              |   |   |   |   |   |   |     |                            |
| 1                | 1     | 0                                     | 0   | 1 | 1 | DYN                     | Selected reference to PLL (differential reference when in differential mode).  |   |   |                         |                  |   |   |   |   |   |   |     |  |   |   |   |   |   |   |     |   |   |   |   |   |   |   |     |   |   |   |   |   |   |   |     |                |   |   |   |   |   |   |     |  |   |   |   |   |   |   |     |  |   |   |   |   |   |   |     |              |   |   |   |   |   |   |     |  |   |   |   |   |   |   |     |  |   |   |   |   |   |   |     |   |   |   |   |   |   |   |     |   |   |   |   |   |   |   |     |   |   |   |   |   |   |   |     |   |   |   |   |   |   |   |     |                                     |   |   |   |   |   |   |     |                                     |   |   |   |   |   |   |     |  |   |   |   |   |   |   |     |   |   |   |   |   |   |   |     |  |   |   |   |   |   |   |     |   |   |   |   |   |   |   |     |   |   |   |   |   |   |   |     |                               |   |   |   |   |   |   |     |                            |   |   |   |   |   |   |     |                  |   |   |   |   |   |   |     |  |   |   |   |   |   |   |     |  |   |   |   |   |   |   |     |   |   |   |   |   |   |   |     |   |   |   |   |   |   |   |     |  |   |   |   |   |   |   |     |  |   |   |   |   |   |   |     |                                       |   |   |   |   |   |   |     |                                       |   |   |   |   |   |   |     |  |   |   |   |   |   |   |     |   |   |   |   |   |   |   |     |                                      |   |   |   |   |   |   |     |   |   |   |   |   |   |   |     |  |   |   |   |   |   |   |     |                              |   |   |   |   |   |   |     |                            |
| 1                | 1     | 0                                     | 1   | 0 | 0 | DYN                     | Unselected reference to PLL (not available in differential mode).  |   |   |                         |                  |   |   |   |   |   |   |     |  |   |   |   |   |   |   |     |   |   |   |   |   |   |   |     |   |   |   |   |   |   |   |     |                |   |   |   |   |   |   |     |  |   |   |   |   |   |   |     |  |   |   |   |   |   |   |     |              |   |   |   |   |   |   |     |  |   |   |   |   |   |   |     |  |   |   |   |   |   |   |     |   |   |   |   |   |   |   |     |   |   |   |   |   |   |   |     |   |   |   |   |   |   |   |     |   |   |   |   |   |   |   |     |                                     |   |   |   |   |   |   |     |                                     |   |   |   |   |   |   |     |  |   |   |   |   |   |   |     |   |   |   |   |   |   |   |     |  |   |   |   |   |   |   |     |   |   |   |   |   |   |   |     |   |   |   |   |   |   |   |     |                               |   |   |   |   |   |   |     |                            |   |   |   |   |   |   |     |                  |   |   |   |   |   |   |     |  |   |   |   |   |   |   |     |  |   |   |   |   |   |   |     |   |   |   |   |   |   |   |     |   |   |   |   |   |   |   |     |  |   |   |   |   |   |   |     |  |   |   |   |   |   |   |     |                                       |   |   |   |   |   |   |     |                                       |   |   |   |   |   |   |     |  |   |   |   |   |   |   |     |   |   |   |   |   |   |   |     |                                      |   |   |   |   |   |   |     |   |   |   |   |   |   |   |     |  |   |   |   |   |   |   |     |                              |   |   |   |   |   |   |     |                            |
| 1                | 1     | 0                                     | 1   | 0 | 1 | LVL                     | Status of selected reference (status of differential reference); active low.   |   |   |                         |                  |   |   |   |   |   |   |     |  |   |   |   |   |   |   |     |   |   |   |   |   |   |   |     |   |   |   |   |   |   |   |     |                |   |   |   |   |   |   |     |  |   |   |   |   |   |   |     |  |   |   |   |   |   |   |     |              |   |   |   |   |   |   |     |  |   |   |   |   |   |   |     |  |   |   |   |   |   |   |     |   |   |   |   |   |   |   |     |   |   |   |   |   |   |   |     |   |   |   |   |   |   |   |     |   |   |   |   |   |   |   |     |                                     |   |   |   |   |   |   |     |                                     |   |   |   |   |   |   |     |  |   |   |   |   |   |   |     |   |   |   |   |   |   |   |     |  |   |   |   |   |   |   |     |   |   |   |   |   |   |   |     |   |   |   |   |   |   |   |     |                               |   |   |   |   |   |   |     |                            |   |   |   |   |   |   |     |                  |   |   |   |   |   |   |     |  |   |   |   |   |   |   |     |  |   |   |   |   |   |   |     |   |   |   |   |   |   |   |     |   |   |   |   |   |   |   |     |  |   |   |   |   |   |   |     |  |   |   |   |   |   |   |     |                                       |   |   |   |   |   |   |     |                                       |   |   |   |   |   |   |     |  |   |   |   |   |   |   |     |   |   |   |   |   |   |   |     |                                      |   |   |   |   |   |   |     |   |   |   |   |   |   |   |     |  |   |   |   |   |   |   |     |                              |   |   |   |   |   |   |     |                            |
| 1                | 1     | 0                                     | 1   | 1 | 0 | LVL                     | Status of unselected reference (not available in differential mode); active low.   |   |   |                         |                  |   |   |   |   |   |   |     |  |   |   |   |   |   |   |     |   |   |   |   |   |   |   |     |   |   |   |   |   |   |   |     |                |   |   |   |   |   |   |     |  |   |   |   |   |   |   |     |  |   |   |   |   |   |   |     |              |   |   |   |   |   |   |     |  |   |   |   |   |   |   |     |  |   |   |   |   |   |   |     |   |   |   |   |   |   |   |     |   |   |   |   |   |   |   |     |   |   |   |   |   |   |   |     |   |   |   |   |   |   |   |     |                                     |   |   |   |   |   |   |     |                                     |   |   |   |   |   |   |     |  |   |   |   |   |   |   |     |   |   |   |   |   |   |   |     |  |   |   |   |   |   |   |     |   |   |   |   |   |   |   |     |   |   |   |   |   |   |   |     |                               |   |   |   |   |   |   |     |                            |   |   |   |   |   |   |     |                  |   |   |   |   |   |   |     |  |   |   |   |   |   |   |     |  |   |   |   |   |   |   |     |   |   |   |   |   |   |   |     |   |   |   |   |   |   |   |     |  |   |   |   |   |   |   |     |  |   |   |   |   |   |   |     |                                       |   |   |   |   |   |   |     |                                       |   |   |   |   |   |   |     |  |   |   |   |   |   |   |     |   |   |   |   |   |   |   |     |                                      |   |   |   |   |   |   |     |   |   |   |   |   |   |   |     |  |   |   |   |   |   |   |     |                              |   |   |   |   |   |   |     |                            |
| 1                | 1     | 0                                     | 1   | 1 | 1 | LVL                     | Status of REF1 frequency; active low.  |   |   |                         |                  |   |   |   |   |   |   |     |  |   |   |   |   |   |   |     |   |   |   |   |   |   |   |     |   |   |   |   |   |   |   |     |                |   |   |   |   |   |   |     |  |   |   |   |   |   |   |     |  |   |   |   |   |   |   |     |              |   |   |   |   |   |   |     |  |   |   |   |   |   |   |     |  |   |   |   |   |   |   |     |   |   |   |   |   |   |   |     |   |   |   |   |   |   |   |     |   |   |   |   |   |   |   |     |   |   |   |   |   |   |   |     |                                     |   |   |   |   |   |   |     |                                     |   |   |   |   |   |   |     |  |   |   |   |   |   |   |     |   |   |   |   |   |   |   |     |  |   |   |   |   |   |   |     |   |   |   |   |   |   |   |     |   |   |   |   |   |   |   |     |                               |   |   |   |   |   |   |     |                            |   |   |   |   |   |   |     |                  |   |   |   |   |   |   |     |  |   |   |   |   |   |   |     |  |   |   |   |   |   |   |     |   |   |   |   |   |   |   |     |   |   |   |   |   |   |   |     |  |   |   |   |   |   |   |     |  |   |   |   |   |   |   |     |                                       |   |   |   |   |   |   |     |                                       |   |   |   |   |   |   |     |  |   |   |   |   |   |   |     |   |   |   |   |   |   |   |     |                                      |   |   |   |   |   |   |     |   |   |   |   |   |   |   |     |  |   |   |   |   |   |   |     |                              |   |   |   |   |   |   |     |                            |
| 1                | 1     | 1                                     | 0   | 0 | 0 | LVL                     | Status of REF2 frequency; active low.  |   |   |                         |                  |   |   |   |   |   |   |     |  |   |   |   |   |   |   |     |   |   |   |   |   |   |   |     |   |   |   |   |   |   |   |     |                |   |   |   |   |   |   |     |  |   |   |   |   |   |   |     |  |   |   |   |   |   |   |     |              |   |   |   |   |   |   |     |  |   |   |   |   |   |   |     |  |   |   |   |   |   |   |     |   |   |   |   |   |   |   |     |   |   |   |   |   |   |   |     |   |   |   |   |   |   |   |     |   |   |   |   |   |   |   |     |                                     |   |   |   |   |   |   |     |                                     |   |   |   |   |   |   |     |  |   |   |   |   |   |   |     |   |   |   |   |   |   |   |     |  |   |   |   |   |   |   |     |   |   |   |   |   |   |   |     |   |   |   |   |   |   |   |     |                               |   |   |   |   |   |   |     |                            |   |   |   |   |   |   |     |                  |   |   |   |   |   |   |     |  |   |   |   |   |   |   |     |  |   |   |   |   |   |   |     |   |   |   |   |   |   |   |     |   |   |   |   |   |   |   |     |  |   |   |   |   |   |   |     |  |   |   |   |   |   |   |     |                                       |   |   |   |   |   |   |     |                                       |   |   |   |   |   |   |     |  |   |   |   |   |   |   |     |   |   |   |   |   |   |   |     |                                      |   |   |   |   |   |   |     |   |   |   |   |   |   |   |     |  |   |   |   |   |   |   |     |                              |   |   |   |   |   |   |     |                            |
| 1                | 1     | 1                                     | 0   | 0 | 1 | LVL                     | (Status of REF1 frequency) AND (status of REF2 frequency).   |   |   |                         |                  |   |   |   |   |   |   |     |  |   |   |   |   |   |   |     |   |   |   |   |   |   |   |     |   |   |   |   |   |   |   |     |                |   |   |   |   |   |   |     |  |   |   |   |   |   |   |     |  |   |   |   |   |   |   |     |              |   |   |   |   |   |   |     |  |   |   |   |   |   |   |     |  |   |   |   |   |   |   |     |   |   |   |   |   |   |   |     |   |   |   |   |   |   |   |     |   |   |   |   |   |   |   |     |   |   |   |   |   |   |   |     |                                     |   |   |   |   |   |   |     |                                     |   |   |   |   |   |   |     |  |   |   |   |   |   |   |     |   |   |   |   |   |   |   |     |  |   |   |   |   |   |   |     |   |   |   |   |   |   |   |     |   |   |   |   |   |   |   |     |                               |   |   |   |   |   |   |     |                            |   |   |   |   |   |   |     |                  |   |   |   |   |   |   |     |  |   |   |   |   |   |   |     |  |   |   |   |   |   |   |     |   |   |   |   |   |   |   |     |   |   |   |   |   |   |   |     |  |   |   |   |   |   |   |     |  |   |   |   |   |   |   |     |                                       |   |   |   |   |   |   |     |                                       |   |   |   |   |   |   |     |  |   |   |   |   |   |   |     |   |   |   |   |   |   |   |     |                                      |   |   |   |   |   |   |     |   |   |   |   |   |   |   |     |  |   |   |   |   |   |   |     |                              |   |   |   |   |   |   |     |                            |
| 1                | 1     | 1                                     | 0   | 1 | 0 | LVL                     | (DLD) AND (status of selected reference) AND (status of VCO).  |   |   |                         |                  |   |   |   |   |   |   |     |  |   |   |   |   |   |   |     |   |   |   |   |   |   |   |     |   |   |   |   |   |   |   |     |                |   |   |   |   |   |   |     |  |   |   |   |   |   |   |     |  |   |   |   |   |   |   |     |              |   |   |   |   |   |   |     |  |   |   |   |   |   |   |     |  |   |   |   |   |   |   |     |   |   |   |   |   |   |   |     |   |   |   |   |   |   |   |     |   |   |   |   |   |   |   |     |   |   |   |   |   |   |   |     |                                     |   |   |   |   |   |   |     |                                     |   |   |   |   |   |   |     |  |   |   |   |   |   |   |     |   |   |   |   |   |   |   |     |  |   |   |   |   |   |   |     |   |   |   |   |   |   |   |     |   |   |   |   |   |   |   |     |                               |   |   |   |   |   |   |     |                            |   |   |   |   |   |   |     |                  |   |   |   |   |   |   |     |  |   |   |   |   |   |   |     |  |   |   |   |   |   |   |     |   |   |   |   |   |   |   |     |   |   |   |   |   |   |   |     |  |   |   |   |   |   |   |     |  |   |   |   |   |   |   |     |                                       |   |   |   |   |   |   |     |                                       |   |   |   |   |   |   |     |  |   |   |   |   |   |   |     |   |   |   |   |   |   |   |     |                                      |   |   |   |   |   |   |     |   |   |   |   |   |   |   |     |  |   |   |   |   |   |   |     |                              |   |   |   |   |   |   |     |                            |
| 1                | 1     | 1                                     | 0   | 1 | 1 | LVL                     | Status of VCO frequency; active low.   |   |   |                         |                  |   |   |   |   |   |   |     |  |   |   |   |   |   |   |     |   |   |   |   |   |   |   |     |   |   |   |   |   |   |   |     |                |   |   |   |   |   |   |     |  |   |   |   |   |   |   |     |  |   |   |   |   |   |   |     |              |   |   |   |   |   |   |     |  |   |   |   |   |   |   |     |  |   |   |   |   |   |   |     |   |   |   |   |   |   |   |     |   |   |   |   |   |   |   |     |   |   |   |   |   |   |   |     |   |   |   |   |   |   |   |     |                                     |   |   |   |   |   |   |     |                                     |   |   |   |   |   |   |     |  |   |   |   |   |   |   |     |   |   |   |   |   |   |   |     |  |   |   |   |   |   |   |     |   |   |   |   |   |   |   |     |   |   |   |   |   |   |   |     |                               |   |   |   |   |   |   |     |                            |   |   |   |   |   |   |     |                  |   |   |   |   |   |   |     |  |   |   |   |   |   |   |     |  |   |   |   |   |   |   |     |   |   |   |   |   |   |   |     |   |   |   |   |   |   |   |     |  |   |   |   |   |   |   |     |  |   |   |   |   |   |   |     |                                       |   |   |   |   |   |   |     |                                       |   |   |   |   |   |   |     |  |   |   |   |   |   |   |     |   |   |   |   |   |   |   |     |                                      |   |   |   |   |   |   |     |   |   |   |   |   |   |   |     |  |   |   |   |   |   |   |     |                              |   |   |   |   |   |   |     |                            |
| 1                | 1     | 1                                     | 1   | 0 | 0 | LVL                     | Selected reference (low = REF2, high = REF1).  |   |   |                         |                  |   |   |   |   |   |   |     |  |   |   |   |   |   |   |     |   |   |   |   |   |   |   |     |   |   |   |   |   |   |   |     |                |   |   |   |   |   |   |     |  |   |   |   |   |   |   |     |  |   |   |   |   |   |   |     |              |   |   |   |   |   |   |     |  |   |   |   |   |   |   |     |  |   |   |   |   |   |   |     |   |   |   |   |   |   |   |     |   |   |   |   |   |   |   |     |   |   |   |   |   |   |   |     |   |   |   |   |   |   |   |     |                                     |   |   |   |   |   |   |     |                                     |   |   |   |   |   |   |     |  |   |   |   |   |   |   |     |   |   |   |   |   |   |   |     |  |   |   |   |   |   |   |     |   |   |   |   |   |   |   |     |   |   |   |   |   |   |   |     |                               |   |   |   |   |   |   |     |                            |   |   |   |   |   |   |     |                  |   |   |   |   |   |   |     |  |   |   |   |   |   |   |     |  |   |   |   |   |   |   |     |   |   |   |   |   |   |   |     |   |   |   |   |   |   |   |     |  |   |   |   |   |   |   |     |  |   |   |   |   |   |   |     |                                       |   |   |   |   |   |   |     |                                       |   |   |   |   |   |   |     |  |   |   |   |   |   |   |     |   |   |   |   |   |   |   |     |                                      |   |   |   |   |   |   |     |   |   |   |   |   |   |   |     |  |   |   |   |   |   |   |     |                              |   |   |   |   |   |   |     |                            |
| 1                | 1     | 1                                     | 1   | 0 | 1 | LVL                     | Digital lock detect (DLD); active low.   |   |   |                         |                  |   |   |   |   |   |   |     |  |   |   |   |   |   |   |     |   |   |   |   |   |   |   |     |   |   |   |   |   |   |   |     |                |   |   |   |   |   |   |     |  |   |   |   |   |   |   |     |  |   |   |   |   |   |   |     |              |   |   |   |   |   |   |     |  |   |   |   |   |   |   |     |  |   |   |   |   |   |   |     |   |   |   |   |   |   |   |     |   |   |   |   |   |   |   |     |   |   |   |   |   |   |   |     |   |   |   |   |   |   |   |     |                                     |   |   |   |   |   |   |     |                                     |   |   |   |   |   |   |     |  |   |   |   |   |   |   |     |   |   |   |   |   |   |   |     |  |   |   |   |   |   |   |     |   |   |   |   |   |   |   |     |   |   |   |   |   |   |   |     |                               |   |   |   |   |   |   |     |                            |   |   |   |   |   |   |     |                  |   |   |   |   |   |   |     |  |   |   |   |   |   |   |     |  |   |   |   |   |   |   |     |   |   |   |   |   |   |   |     |   |   |   |   |   |   |   |     |  |   |   |   |   |   |   |     |  |   |   |   |   |   |   |     |                                       |   |   |   |   |   |   |     |                                       |   |   |   |   |   |   |     |  |   |   |   |   |   |   |     |   |   |   |   |   |   |   |     |                                      |   |   |   |   |   |   |     |   |   |   |   |   |   |   |     |  |   |   |   |   |   |   |     |                              |   |   |   |   |   |   |     |                            |
| 1                | 1     | 1                                     | 1   | 1 | 0 | LVL                     | Holdover active; active low.   |   |   |                         |                  |   |   |   |   |   |   |     |  |   |   |   |   |   |   |     |   |   |   |   |   |   |   |     |   |   |   |   |   |   |   |     |                |   |   |   |   |   |   |     |  |   |   |   |   |   |   |     |  |   |   |   |   |   |   |     |              |   |   |   |   |   |   |     |  |   |   |   |   |   |   |     |  |   |   |   |   |   |   |     |   |   |   |   |   |   |   |     |   |   |   |   |   |   |   |     |   |   |   |   |   |   |   |     |   |   |   |   |   |   |   |     |                                     |   |   |   |   |   |   |     |                                     |   |   |   |   |   |   |     |  |   |   |   |   |   |   |     |   |   |   |   |   |   |   |     |  |   |   |   |   |   |   |     |   |   |   |   |   |   |   |     |   |   |   |   |   |   |   |     |                               |   |   |   |   |   |   |     |                            |   |   |   |   |   |   |     |                  |   |   |   |   |   |   |     |  |   |   |   |   |   |   |     |  |   |   |   |   |   |   |     |   |   |   |   |   |   |   |     |   |   |   |   |   |   |   |     |  |   |   |   |   |   |   |     |  |   |   |   |   |   |   |     |                                       |   |   |   |   |   |   |     |                                       |   |   |   |   |   |   |     |  |   |   |   |   |   |   |     |   |   |   |   |   |   |   |     |                                      |   |   |   |   |   |   |     |   |   |   |   |   |   |   |     |  |   |   |   |   |   |   |     |                              |   |   |   |   |   |   |     |                            |
| 1                | 1     | 1                                     | 1   | 1 | 1 | LVL                     | Not available. Do not use.   |   |   |                         |                  |   |   |   |   |   |   |     |  |   |   |   |   |   |   |     |   |   |   |   |   |   |   |     |   |   |   |   |   |   |   |     |                |   |   |   |   |   |   |     |  |   |   |   |   |   |   |     |  |   |   |   |   |   |   |     |              |   |   |   |   |   |   |     |  |   |   |   |   |   |   |     |  |   |   |   |   |   |   |     |   |   |   |   |   |   |   |     |   |   |   |   |   |   |   |     |   |   |   |   |   |   |   |     |   |   |   |   |   |   |   |     |                                     |   |   |   |   |   |   |     |                                     |   |   |   |   |   |   |     |  |   |   |   |   |   |   |     |   |   |   |   |   |   |   |     |  |   |   |   |   |   |   |     |   |   |   |   |   |   |   |     |   |   |   |   |   |   |   |     |                               |   |   |   |   |   |   |     |                            |   |   |   |   |   |   |     |                  |   |   |   |   |   |   |     |  |   |   |   |   |   |   |     |  |   |   |   |   |   |   |     |   |   |   |   |   |   |   |     |   |   |   |   |   |   |   |     |  |   |   |   |   |   |   |     |  |   |   |   |   |   |   |     |                                       |   |   |   |   |   |   |     |                                       |   |   |   |   |   |   |     |  |   |   |   |   |   |   |     |   |   |   |   |   |   |   |     |                                      |   |   |   |   |   |   |     |   |   |   |   |   |   |   |     |  |   |   |   |   |   |   |     |                              |   |   |   |   |   |   |     |                            |

| Reg. Addr. (Hex) | Bits  | Name                           | Description  |   |                         |   |   |   |                         |                      |   |   |   |   |   |     |                        |   |   |   |   |   |     |  |   |   |   |   |   |     |  |   |   |   |   |   |     |   |   |   |   |   |   |     |   |   |   |   |   |   |     |   |   |   |   |   |   |     |   |   |   |   |   |   |     |                                     |   |   |   |   |   |     |                                     |   |   |   |   |   |     |  |   |   |   |   |   |     |   |   |   |   |   |   |     |                                       |   |   |   |   |   |     |   |   |   |   |   |   |     |  |   |   |   |   |   |     |                               |   |   |   |   |   |     |  |   |   |   |   |   |     |                  |   |   |   |   |   |     |  |   |   |   |   |   |     |  |   |   |   |   |   |     |   |   |   |   |   |   |     |   |   |   |   |   |   |     |  |   |   |   |   |   |     |  |   |   |   |   |   |     |                                       |   |   |   |   |   |     |                                       |   |   |   |   |   |     |  |   |   |   |   |   |     |   |   |   |   |   |   |     |                                      |   |   |   |   |   |     |   |   |   |   |   |   |     |  |   |   |   |   |   |     |                              |   |   |   |   |   |     |                                       |
|------------------|-------|--------------------------------|--|---|-------------------------|---|---|---|-------------------------|----------------------|---|---|---|---|---|-----|------------------------|---|---|---|---|---|-----|--|---|---|---|---|---|-----|--|---|---|---|---|---|-----|---|---|---|---|---|---|-----|---|---|---|---|---|---|-----|---|---|---|---|---|---|-----|---|---|---|---|---|---|-----|-------------------------------------|---|---|---|---|---|-----|-------------------------------------|---|---|---|---|---|-----|--|---|---|---|---|---|-----|---|---|---|---|---|---|-----|---------------------------------------|---|---|---|---|---|-----|---|---|---|---|---|---|-----|--|---|---|---|---|---|-----|-------------------------------|---|---|---|---|---|-----|--|---|---|---|---|---|-----|------------------|---|---|---|---|---|-----|--|---|---|---|---|---|-----|--|---|---|---|---|---|-----|---|---|---|---|---|---|-----|---|---|---|---|---|---|-----|--|---|---|---|---|---|-----|--|---|---|---|---|---|-----|---------------------------------------|---|---|---|---|---|-----|---------------------------------------|---|---|---|---|---|-----|--|---|---|---|---|---|-----|---|---|---|---|---|---|-----|--------------------------------------|---|---|---|---|---|-----|---|---|---|---|---|---|-----|--|---|---|---|---|---|-----|------------------------------|---|---|---|---|---|-----|---------------------------------------|
| 0x01B            | 7     | VCO frequency monitor          | Enables or disables VCO frequency monitor.<br>0: disables VCO frequency monitor (default).<br>1: enables VCO frequency monitor.  |   |                         |   |   |   |                         |                      |   |   |   |   |   |     |                        |   |   |   |   |   |     |  |   |   |   |   |   |     |  |   |   |   |   |   |     |   |   |   |   |   |   |     |   |   |   |   |   |   |     |   |   |   |   |   |   |     |   |   |   |   |   |   |     |                                     |   |   |   |   |   |     |                                     |   |   |   |   |   |     |  |   |   |   |   |   |     |   |   |   |   |   |   |     |                                       |   |   |   |   |   |     |   |   |   |   |   |   |     |  |   |   |   |   |   |     |                               |   |   |   |   |   |     |  |   |   |   |   |   |     |                  |   |   |   |   |   |     |  |   |   |   |   |   |     |  |   |   |   |   |   |     |   |   |   |   |   |   |     |   |   |   |   |   |   |     |  |   |   |   |   |   |     |  |   |   |   |   |   |     |                                       |   |   |   |   |   |     |                                       |   |   |   |   |   |     |  |   |   |   |   |   |     |   |   |   |   |   |   |     |                                      |   |   |   |   |   |     |   |   |   |   |   |   |     |  |   |   |   |   |   |     |                              |   |   |   |   |   |     |                                       |
|                  | 6     | REF2 (REFIN) frequency monitor | Enables or disables REF2 frequency monitor.<br>0: disables REF2 frequency monitor (default).<br>1: enables REF2 frequency monitor.   |   |                         |   |   |   |                         |                      |   |   |   |   |   |     |                        |   |   |   |   |   |     |  |   |   |   |   |   |     |  |   |   |   |   |   |     |   |   |   |   |   |   |     |   |   |   |   |   |   |     |   |   |   |   |   |   |     |   |   |   |   |   |   |     |                                     |   |   |   |   |   |     |                                     |   |   |   |   |   |     |  |   |   |   |   |   |     |   |   |   |   |   |   |     |                                       |   |   |   |   |   |     |   |   |   |   |   |   |     |  |   |   |   |   |   |     |                               |   |   |   |   |   |     |  |   |   |   |   |   |     |                  |   |   |   |   |   |     |  |   |   |   |   |   |     |  |   |   |   |   |   |     |   |   |   |   |   |   |     |   |   |   |   |   |   |     |  |   |   |   |   |   |     |  |   |   |   |   |   |     |                                       |   |   |   |   |   |     |                                       |   |   |   |   |   |     |  |   |   |   |   |   |     |   |   |   |   |   |   |     |                                      |   |   |   |   |   |     |   |   |   |   |   |   |     |  |   |   |   |   |   |     |                              |   |   |   |   |   |     |                                       |
|                  | 5     | REF1 (REFIN) frequency monitor | REF1 (REFIN) frequency monitor enable; this is for both REF1 (single-ended) and REFIN (differential) inputs (as selected by differential reference mode).<br>0: disables REF1 (REFIN) frequency monitor (default).<br>1: enables REF1 (REFIN) frequency monitor.   |   |                         |   |   |   |                         |                      |   |   |   |   |   |     |                        |   |   |   |   |   |     |  |   |   |   |   |   |     |  |   |   |   |   |   |     |   |   |   |   |   |   |     |   |   |   |   |   |   |     |   |   |   |   |   |   |     |   |   |   |   |   |   |     |                                     |   |   |   |   |   |     |                                     |   |   |   |   |   |     |  |   |   |   |   |   |     |   |   |   |   |   |   |     |                                       |   |   |   |   |   |     |   |   |   |   |   |   |     |  |   |   |   |   |   |     |                               |   |   |   |   |   |     |  |   |   |   |   |   |     |                  |   |   |   |   |   |     |  |   |   |   |   |   |     |  |   |   |   |   |   |     |   |   |   |   |   |   |     |   |   |   |   |   |   |     |  |   |   |   |   |   |     |  |   |   |   |   |   |     |                                       |   |   |   |   |   |     |                                       |   |   |   |   |   |     |  |   |   |   |   |   |     |   |   |   |   |   |   |     |                                      |   |   |   |   |   |     |   |   |   |   |   |   |     |  |   |   |   |   |   |     |                              |   |   |   |   |   |     |                                       |
|                  | [4:0] | REFMON pin control             | <p>Selects the signal that is connected to the REFMON pin.</p> <table border="1"> <thead> <tr> <th>4</th> <th>3</th> <th>2</th> <th>1</th> <th>0</th> <th>Level or Dynamic Signal</th> <th>Signal at REFMON Pin</th> </tr> </thead> <tbody> <tr><td>0</td><td>0</td><td>0</td><td>0</td><td>0</td><td>LVL</td><td>Ground (dc) (default).</td></tr> <tr><td>0</td><td>0</td><td>0</td><td>0</td><td>1</td><td>DYN</td><td>REF1 clock (differential reference when in differential mode).</td></tr> <tr><td>0</td><td>0</td><td>0</td><td>1</td><td>0</td><td>DYN</td><td>REF2 clock (not available in differential mode).</td></tr> <tr><td>0</td><td>0</td><td>0</td><td>1</td><td>1</td><td>DYN</td><td>Selected reference to PLL (differential reference when in differential mode).</td></tr> <tr><td>0</td><td>0</td><td>1</td><td>0</td><td>0</td><td>DYN</td><td>Unselected reference to PLL (not available in differential mode).</td></tr> <tr><td>0</td><td>0</td><td>1</td><td>0</td><td>1</td><td>LVL</td><td>Status of selected reference (status of differential reference); active high.</td></tr> <tr><td>0</td><td>0</td><td>1</td><td>1</td><td>0</td><td>LVL</td><td>Status of unselected reference (not available in differential mode); active high.</td></tr> <tr><td>0</td><td>0</td><td>1</td><td>1</td><td>1</td><td>LVL</td><td>Status REF1 frequency; active high.</td></tr> <tr><td>0</td><td>1</td><td>0</td><td>0</td><td>0</td><td>LVL</td><td>Status REF2 frequency; active high.</td></tr> <tr><td>0</td><td>1</td><td>0</td><td>0</td><td>1</td><td>LVL</td><td>(Status REF1 frequency) AND (status REF2 frequency).</td></tr> <tr><td>0</td><td>1</td><td>0</td><td>1</td><td>0</td><td>LVL</td><td>(DLD) AND (status of selected reference) AND (status of VCO).</td></tr> <tr><td>0</td><td>1</td><td>0</td><td>1</td><td>1</td><td>LVL</td><td>Status of VCO frequency; active high.</td></tr> <tr><td>0</td><td>1</td><td>1</td><td>0</td><td>0</td><td>LVL</td><td>Selected reference (low = REF1, high = REF2).</td></tr> <tr><td>0</td><td>1</td><td>1</td><td>0</td><td>1</td><td>LVL</td><td>Digital lock detect (DLD); active low.</td></tr> <tr><td>0</td><td>1</td><td>1</td><td>1</td><td>0</td><td>LVL</td><td>Holdover active; active high.</td></tr> <tr><td>0</td><td>1</td><td>1</td><td>1</td><td>1</td><td>LVL</td><td>LD pin comparator output; active high.</td></tr> <tr><td>1</td><td>0</td><td>0</td><td>0</td><td>0</td><td>LVL</td><td>VS (PLL supply).</td></tr> <tr><td>1</td><td>0</td><td>0</td><td>0</td><td>1</td><td>DYN</td><td>REF1 clock (differential reference when in differential mode).</td></tr> <tr><td>1</td><td>0</td><td>0</td><td>1</td><td>0</td><td>DYN</td><td>REF2 clock (not available in differential mode).</td></tr> <tr><td>1</td><td>0</td><td>0</td><td>1</td><td>1</td><td>DYN</td><td>Selected reference to PLL (differential reference when in differential mode).</td></tr> <tr><td>1</td><td>0</td><td>1</td><td>0</td><td>0</td><td>DYN</td><td>Unselected reference to PLL (not available in differential mode).</td></tr> <tr><td>1</td><td>0</td><td>1</td><td>0</td><td>1</td><td>LVL</td><td>Status of selected reference (status of differential reference); active low.</td></tr> <tr><td>1</td><td>0</td><td>1</td><td>1</td><td>0</td><td>LVL</td><td>Status of unselected reference (not available in differential mode); active low.</td></tr> <tr><td>1</td><td>0</td><td>1</td><td>1</td><td>1</td><td>LVL</td><td>Status of REF1 frequency; active low.</td></tr> <tr><td>1</td><td>1</td><td>0</td><td>0</td><td>0</td><td>LVL</td><td>Status of REF2 frequency; active low.</td></tr> <tr><td>1</td><td>1</td><td>0</td><td>0</td><td>1</td><td>LVL</td><td>(Status of REF1 frequency) AND (Status of REF2 frequency).</td></tr> <tr><td>1</td><td>1</td><td>0</td><td>1</td><td>0</td><td>LVL</td><td>(DLD) AND (Status of selected reference) AND (Status of VCO).</td></tr> <tr><td>1</td><td>1</td><td>0</td><td>1</td><td>1</td><td>LVL</td><td>Status of VCO frequency; active low.</td></tr> <tr><td>1</td><td>1</td><td>1</td><td>0</td><td>0</td><td>LVL</td><td>Selected reference (low = REF2, high = REF1).</td></tr> <tr><td>1</td><td>1</td><td>1</td><td>0</td><td>1</td><td>LVL</td><td>Digital lock detect (DLD); active low.</td></tr> <tr><td>1</td><td>1</td><td>1</td><td>1</td><td>0</td><td>LVL</td><td>Holdover active; active low.</td></tr> <tr><td>1</td><td>1</td><td>1</td><td>1</td><td>1</td><td>LVL</td><td>LD pin comparator output; active low.</td></tr> </tbody> </table> | 4 | 3                       | 2   | 1 | 0 | Level or Dynamic Signal | Signal at REFMON Pin | 0 | 0 | 0 | 0 | 0 | LVL | Ground (dc) (default). | 0 | 0 | 0 | 0 | 1 | DYN | REF1 clock (differential reference when in differential mode). | 0 | 0 | 0 | 1 | 0 | DYN | REF2 clock (not available in differential mode). | 0 | 0 | 0 | 1 | 1 | DYN | Selected reference to PLL (differential reference when in differential mode). | 0 | 0 | 1 | 0 | 0 | DYN | Unselected reference to PLL (not available in differential mode). | 0 | 0 | 1 | 0 | 1 | LVL | Status of selected reference (status of differential reference); active high. | 0 | 0 | 1 | 1 | 0 | LVL | Status of unselected reference (not available in differential mode); active high. | 0 | 0 | 1 | 1 | 1 | LVL | Status REF1 frequency; active high. | 0 | 1 | 0 | 0 | 0 | LVL | Status REF2 frequency; active high. | 0 | 1 | 0 | 0 | 1 | LVL | (Status REF1 frequency) AND (status REF2 frequency). | 0 | 1 | 0 | 1 | 0 | LVL | (DLD) AND (status of selected reference) AND (status of VCO). | 0 | 1 | 0 | 1 | 1 | LVL | Status of VCO frequency; active high. | 0 | 1 | 1 | 0 | 0 | LVL | Selected reference (low = REF1, high = REF2). | 0 | 1 | 1 | 0 | 1 | LVL | Digital lock detect (DLD); active low. | 0 | 1 | 1 | 1 | 0 | LVL | Holdover active; active high. | 0 | 1 | 1 | 1 | 1 | LVL | LD pin comparator output; active high. | 1 | 0 | 0 | 0 | 0 | LVL | VS (PLL supply). | 1 | 0 | 0 | 0 | 1 | DYN | REF1 clock (differential reference when in differential mode). | 1 | 0 | 0 | 1 | 0 | DYN | REF2 clock (not available in differential mode). | 1 | 0 | 0 | 1 | 1 | DYN | Selected reference to PLL (differential reference when in differential mode). | 1 | 0 | 1 | 0 | 0 | DYN | Unselected reference to PLL (not available in differential mode). | 1 | 0 | 1 | 0 | 1 | LVL | Status of selected reference (status of differential reference); active low. | 1 | 0 | 1 | 1 | 0 | LVL | Status of unselected reference (not available in differential mode); active low. | 1 | 0 | 1 | 1 | 1 | LVL | Status of REF1 frequency; active low. | 1 | 1 | 0 | 0 | 0 | LVL | Status of REF2 frequency; active low. | 1 | 1 | 0 | 0 | 1 | LVL | (Status of REF1 frequency) AND (Status of REF2 frequency). | 1 | 1 | 0 | 1 | 0 | LVL | (DLD) AND (Status of selected reference) AND (Status of VCO). | 1 | 1 | 0 | 1 | 1 | LVL | Status of VCO frequency; active low. | 1 | 1 | 1 | 0 | 0 | LVL | Selected reference (low = REF2, high = REF1). | 1 | 1 | 1 | 0 | 1 | LVL | Digital lock detect (DLD); active low. | 1 | 1 | 1 | 1 | 0 | LVL | Holdover active; active low. | 1 | 1 | 1 | 1 | 1 | LVL | LD pin comparator output; active low. |
| 4                | 3     | 2                              | 1  | 0 | Level or Dynamic Signal | Signal at REFMON Pin  |   |   |                         |                      |   |   |   |   |   |     |                        |   |   |   |   |   |     |  |   |   |   |   |   |     |  |   |   |   |   |   |     |   |   |   |   |   |   |     |   |   |   |   |   |   |     |   |   |   |   |   |   |     |   |   |   |   |   |   |     |                                     |   |   |   |   |   |     |                                     |   |   |   |   |   |     |  |   |   |   |   |   |     |   |   |   |   |   |   |     |                                       |   |   |   |   |   |     |   |   |   |   |   |   |     |  |   |   |   |   |   |     |                               |   |   |   |   |   |     |  |   |   |   |   |   |     |                  |   |   |   |   |   |     |  |   |   |   |   |   |     |  |   |   |   |   |   |     |   |   |   |   |   |   |     |   |   |   |   |   |   |     |  |   |   |   |   |   |     |  |   |   |   |   |   |     |                                       |   |   |   |   |   |     |                                       |   |   |   |   |   |     |  |   |   |   |   |   |     |   |   |   |   |   |   |     |                                      |   |   |   |   |   |     |   |   |   |   |   |   |     |  |   |   |   |   |   |     |                              |   |   |   |   |   |     |                                       |
| 0                | 0     | 0                              | 0  | 0 | LVL                     | Ground (dc) (default).  |   |   |                         |                      |   |   |   |   |   |     |                        |   |   |   |   |   |     |  |   |   |   |   |   |     |  |   |   |   |   |   |     |   |   |   |   |   |   |     |   |   |   |   |   |   |     |   |   |   |   |   |   |     |   |   |   |   |   |   |     |                                     |   |   |   |   |   |     |                                     |   |   |   |   |   |     |  |   |   |   |   |   |     |   |   |   |   |   |   |     |                                       |   |   |   |   |   |     |   |   |   |   |   |   |     |  |   |   |   |   |   |     |                               |   |   |   |   |   |     |  |   |   |   |   |   |     |                  |   |   |   |   |   |     |  |   |   |   |   |   |     |  |   |   |   |   |   |     |   |   |   |   |   |   |     |   |   |   |   |   |   |     |  |   |   |   |   |   |     |  |   |   |   |   |   |     |                                       |   |   |   |   |   |     |                                       |   |   |   |   |   |     |  |   |   |   |   |   |     |   |   |   |   |   |   |     |                                      |   |   |   |   |   |     |   |   |   |   |   |   |     |  |   |   |   |   |   |     |                              |   |   |   |   |   |     |                                       |
| 0                | 0     | 0                              | 0  | 1 | DYN                     | REF1 clock (differential reference when in differential mode).                    |   |   |                         |                      |   |   |   |   |   |     |                        |   |   |   |   |   |     |  |   |   |   |   |   |     |  |   |   |   |   |   |     |   |   |   |   |   |   |     |   |   |   |   |   |   |     |   |   |   |   |   |   |     |   |   |   |   |   |   |     |                                     |   |   |   |   |   |     |                                     |   |   |   |   |   |     |  |   |   |   |   |   |     |   |   |   |   |   |   |     |                                       |   |   |   |   |   |     |   |   |   |   |   |   |     |  |   |   |   |   |   |     |                               |   |   |   |   |   |     |  |   |   |   |   |   |     |                  |   |   |   |   |   |     |  |   |   |   |   |   |     |  |   |   |   |   |   |     |   |   |   |   |   |   |     |   |   |   |   |   |   |     |  |   |   |   |   |   |     |  |   |   |   |   |   |     |                                       |   |   |   |   |   |     |                                       |   |   |   |   |   |     |  |   |   |   |   |   |     |   |   |   |   |   |   |     |                                      |   |   |   |   |   |     |   |   |   |   |   |   |     |  |   |   |   |   |   |     |                              |   |   |   |   |   |     |                                       |
| 0                | 0     | 0                              | 1  | 0 | DYN                     | REF2 clock (not available in differential mode).                                  |   |   |                         |                      |   |   |   |   |   |     |                        |   |   |   |   |   |     |  |   |   |   |   |   |     |  |   |   |   |   |   |     |   |   |   |   |   |   |     |   |   |   |   |   |   |     |   |   |   |   |   |   |     |   |   |   |   |   |   |     |                                     |   |   |   |   |   |     |                                     |   |   |   |   |   |     |  |   |   |   |   |   |     |   |   |   |   |   |   |     |                                       |   |   |   |   |   |     |   |   |   |   |   |   |     |  |   |   |   |   |   |     |                               |   |   |   |   |   |     |  |   |   |   |   |   |     |                  |   |   |   |   |   |     |  |   |   |   |   |   |     |  |   |   |   |   |   |     |   |   |   |   |   |   |     |   |   |   |   |   |   |     |  |   |   |   |   |   |     |  |   |   |   |   |   |     |                                       |   |   |   |   |   |     |                                       |   |   |   |   |   |     |  |   |   |   |   |   |     |   |   |   |   |   |   |     |                                      |   |   |   |   |   |     |   |   |   |   |   |   |     |  |   |   |   |   |   |     |                              |   |   |   |   |   |     |                                       |
| 0                | 0     | 0                              | 1  | 1 | DYN                     | Selected reference to PLL (differential reference when in differential mode).     |   |   |                         |                      |   |   |   |   |   |     |                        |   |   |   |   |   |     |  |   |   |   |   |   |     |  |   |   |   |   |   |     |   |   |   |   |   |   |     |   |   |   |   |   |   |     |   |   |   |   |   |   |     |   |   |   |   |   |   |     |                                     |   |   |   |   |   |     |                                     |   |   |   |   |   |     |  |   |   |   |   |   |     |   |   |   |   |   |   |     |                                       |   |   |   |   |   |     |   |   |   |   |   |   |     |  |   |   |   |   |   |     |                               |   |   |   |   |   |     |  |   |   |   |   |   |     |                  |   |   |   |   |   |     |  |   |   |   |   |   |     |  |   |   |   |   |   |     |   |   |   |   |   |   |     |   |   |   |   |   |   |     |  |   |   |   |   |   |     |  |   |   |   |   |   |     |                                       |   |   |   |   |   |     |                                       |   |   |   |   |   |     |  |   |   |   |   |   |     |   |   |   |   |   |   |     |                                      |   |   |   |   |   |     |   |   |   |   |   |   |     |  |   |   |   |   |   |     |                              |   |   |   |   |   |     |                                       |
| 0                | 0     | 1                              | 0  | 0 | DYN                     | Unselected reference to PLL (not available in differential mode).                 |   |   |                         |                      |   |   |   |   |   |     |                        |   |   |   |   |   |     |  |   |   |   |   |   |     |  |   |   |   |   |   |     |   |   |   |   |   |   |     |   |   |   |   |   |   |     |   |   |   |   |   |   |     |   |   |   |   |   |   |     |                                     |   |   |   |   |   |     |                                     |   |   |   |   |   |     |  |   |   |   |   |   |     |   |   |   |   |   |   |     |                                       |   |   |   |   |   |     |   |   |   |   |   |   |     |  |   |   |   |   |   |     |                               |   |   |   |   |   |     |  |   |   |   |   |   |     |                  |   |   |   |   |   |     |  |   |   |   |   |   |     |  |   |   |   |   |   |     |   |   |   |   |   |   |     |   |   |   |   |   |   |     |  |   |   |   |   |   |     |  |   |   |   |   |   |     |                                       |   |   |   |   |   |     |                                       |   |   |   |   |   |     |  |   |   |   |   |   |     |   |   |   |   |   |   |     |                                      |   |   |   |   |   |     |   |   |   |   |   |   |     |  |   |   |   |   |   |     |                              |   |   |   |   |   |     |                                       |
| 0                | 0     | 1                              | 0  | 1 | LVL                     | Status of selected reference (status of differential reference); active high.     |   |   |                         |                      |   |   |   |   |   |     |                        |   |   |   |   |   |     |  |   |   |   |   |   |     |  |   |   |   |   |   |     |   |   |   |   |   |   |     |   |   |   |   |   |   |     |   |   |   |   |   |   |     |   |   |   |   |   |   |     |                                     |   |   |   |   |   |     |                                     |   |   |   |   |   |     |  |   |   |   |   |   |     |   |   |   |   |   |   |     |                                       |   |   |   |   |   |     |   |   |   |   |   |   |     |  |   |   |   |   |   |     |                               |   |   |   |   |   |     |  |   |   |   |   |   |     |                  |   |   |   |   |   |     |  |   |   |   |   |   |     |  |   |   |   |   |   |     |   |   |   |   |   |   |     |   |   |   |   |   |   |     |  |   |   |   |   |   |     |  |   |   |   |   |   |     |                                       |   |   |   |   |   |     |                                       |   |   |   |   |   |     |  |   |   |   |   |   |     |   |   |   |   |   |   |     |                                      |   |   |   |   |   |     |   |   |   |   |   |   |     |  |   |   |   |   |   |     |                              |   |   |   |   |   |     |                                       |
| 0                | 0     | 1                              | 1  | 0 | LVL                     | Status of unselected reference (not available in differential mode); active high. |   |   |                         |                      |   |   |   |   |   |     |                        |   |   |   |   |   |     |  |   |   |   |   |   |     |  |   |   |   |   |   |     |   |   |   |   |   |   |     |   |   |   |   |   |   |     |   |   |   |   |   |   |     |   |   |   |   |   |   |     |                                     |   |   |   |   |   |     |                                     |   |   |   |   |   |     |  |   |   |   |   |   |     |   |   |   |   |   |   |     |                                       |   |   |   |   |   |     |   |   |   |   |   |   |     |  |   |   |   |   |   |     |                               |   |   |   |   |   |     |  |   |   |   |   |   |     |                  |   |   |   |   |   |     |  |   |   |   |   |   |     |  |   |   |   |   |   |     |   |   |   |   |   |   |     |   |   |   |   |   |   |     |  |   |   |   |   |   |     |  |   |   |   |   |   |     |                                       |   |   |   |   |   |     |                                       |   |   |   |   |   |     |  |   |   |   |   |   |     |   |   |   |   |   |   |     |                                      |   |   |   |   |   |     |   |   |   |   |   |   |     |  |   |   |   |   |   |     |                              |   |   |   |   |   |     |                                       |
| 0                | 0     | 1                              | 1  | 1 | LVL                     | Status REF1 frequency; active high.   |   |   |                         |                      |   |   |   |   |   |     |                        |   |   |   |   |   |     |  |   |   |   |   |   |     |  |   |   |   |   |   |     |   |   |   |   |   |   |     |   |   |   |   |   |   |     |   |   |   |   |   |   |     |   |   |   |   |   |   |     |                                     |   |   |   |   |   |     |                                     |   |   |   |   |   |     |  |   |   |   |   |   |     |   |   |   |   |   |   |     |                                       |   |   |   |   |   |     |   |   |   |   |   |   |     |  |   |   |   |   |   |     |                               |   |   |   |   |   |     |  |   |   |   |   |   |     |                  |   |   |   |   |   |     |  |   |   |   |   |   |     |  |   |   |   |   |   |     |   |   |   |   |   |   |     |   |   |   |   |   |   |     |  |   |   |   |   |   |     |  |   |   |   |   |   |     |                                       |   |   |   |   |   |     |                                       |   |   |   |   |   |     |  |   |   |   |   |   |     |   |   |   |   |   |   |     |                                      |   |   |   |   |   |     |   |   |   |   |   |   |     |  |   |   |   |   |   |     |                              |   |   |   |   |   |     |                                       |
| 0                | 1     | 0                              | 0  | 0 | LVL                     | Status REF2 frequency; active high.   |   |   |                         |                      |   |   |   |   |   |     |                        |   |   |   |   |   |     |  |   |   |   |   |   |     |  |   |   |   |   |   |     |   |   |   |   |   |   |     |   |   |   |   |   |   |     |   |   |   |   |   |   |     |   |   |   |   |   |   |     |                                     |   |   |   |   |   |     |                                     |   |   |   |   |   |     |  |   |   |   |   |   |     |   |   |   |   |   |   |     |                                       |   |   |   |   |   |     |   |   |   |   |   |   |     |  |   |   |   |   |   |     |                               |   |   |   |   |   |     |  |   |   |   |   |   |     |                  |   |   |   |   |   |     |  |   |   |   |   |   |     |  |   |   |   |   |   |     |   |   |   |   |   |   |     |   |   |   |   |   |   |     |  |   |   |   |   |   |     |  |   |   |   |   |   |     |                                       |   |   |   |   |   |     |                                       |   |   |   |   |   |     |  |   |   |   |   |   |     |   |   |   |   |   |   |     |                                      |   |   |   |   |   |     |   |   |   |   |   |   |     |  |   |   |   |   |   |     |                              |   |   |   |   |   |     |                                       |
| 0                | 1     | 0                              | 0  | 1 | LVL                     | (Status REF1 frequency) AND (status REF2 frequency).                              |   |   |                         |                      |   |   |   |   |   |     |                        |   |   |   |   |   |     |  |   |   |   |   |   |     |  |   |   |   |   |   |     |   |   |   |   |   |   |     |   |   |   |   |   |   |     |   |   |   |   |   |   |     |   |   |   |   |   |   |     |                                     |   |   |   |   |   |     |                                     |   |   |   |   |   |     |  |   |   |   |   |   |     |   |   |   |   |   |   |     |                                       |   |   |   |   |   |     |   |   |   |   |   |   |     |  |   |   |   |   |   |     |                               |   |   |   |   |   |     |  |   |   |   |   |   |     |                  |   |   |   |   |   |     |  |   |   |   |   |   |     |  |   |   |   |   |   |     |   |   |   |   |   |   |     |   |   |   |   |   |   |     |  |   |   |   |   |   |     |  |   |   |   |   |   |     |                                       |   |   |   |   |   |     |                                       |   |   |   |   |   |     |  |   |   |   |   |   |     |   |   |   |   |   |   |     |                                      |   |   |   |   |   |     |   |   |   |   |   |   |     |  |   |   |   |   |   |     |                              |   |   |   |   |   |     |                                       |
| 0                | 1     | 0                              | 1  | 0 | LVL                     | (DLD) AND (status of selected reference) AND (status of VCO).                     |   |   |                         |                      |   |   |   |   |   |     |                        |   |   |   |   |   |     |  |   |   |   |   |   |     |  |   |   |   |   |   |     |   |   |   |   |   |   |     |   |   |   |   |   |   |     |   |   |   |   |   |   |     |   |   |   |   |   |   |     |                                     |   |   |   |   |   |     |                                     |   |   |   |   |   |     |  |   |   |   |   |   |     |   |   |   |   |   |   |     |                                       |   |   |   |   |   |     |   |   |   |   |   |   |     |  |   |   |   |   |   |     |                               |   |   |   |   |   |     |  |   |   |   |   |   |     |                  |   |   |   |   |   |     |  |   |   |   |   |   |     |  |   |   |   |   |   |     |   |   |   |   |   |   |     |   |   |   |   |   |   |     |  |   |   |   |   |   |     |  |   |   |   |   |   |     |                                       |   |   |   |   |   |     |                                       |   |   |   |   |   |     |  |   |   |   |   |   |     |   |   |   |   |   |   |     |                                      |   |   |   |   |   |     |   |   |   |   |   |   |     |  |   |   |   |   |   |     |                              |   |   |   |   |   |     |                                       |
| 0                | 1     | 0                              | 1  | 1 | LVL                     | Status of VCO frequency; active high.   |   |   |                         |                      |   |   |   |   |   |     |                        |   |   |   |   |   |     |  |   |   |   |   |   |     |  |   |   |   |   |   |     |   |   |   |   |   |   |     |   |   |   |   |   |   |     |   |   |   |   |   |   |     |   |   |   |   |   |   |     |                                     |   |   |   |   |   |     |                                     |   |   |   |   |   |     |  |   |   |   |   |   |     |   |   |   |   |   |   |     |                                       |   |   |   |   |   |     |   |   |   |   |   |   |     |  |   |   |   |   |   |     |                               |   |   |   |   |   |     |  |   |   |   |   |   |     |                  |   |   |   |   |   |     |  |   |   |   |   |   |     |  |   |   |   |   |   |     |   |   |   |   |   |   |     |   |   |   |   |   |   |     |  |   |   |   |   |   |     |  |   |   |   |   |   |     |                                       |   |   |   |   |   |     |                                       |   |   |   |   |   |     |  |   |   |   |   |   |     |   |   |   |   |   |   |     |                                      |   |   |   |   |   |     |   |   |   |   |   |   |     |  |   |   |   |   |   |     |                              |   |   |   |   |   |     |                                       |
| 0                | 1     | 1                              | 0  | 0 | LVL                     | Selected reference (low = REF1, high = REF2).                                     |   |   |                         |                      |   |   |   |   |   |     |                        |   |   |   |   |   |     |  |   |   |   |   |   |     |  |   |   |   |   |   |     |   |   |   |   |   |   |     |   |   |   |   |   |   |     |   |   |   |   |   |   |     |   |   |   |   |   |   |     |                                     |   |   |   |   |   |     |                                     |   |   |   |   |   |     |  |   |   |   |   |   |     |   |   |   |   |   |   |     |                                       |   |   |   |   |   |     |   |   |   |   |   |   |     |  |   |   |   |   |   |     |                               |   |   |   |   |   |     |  |   |   |   |   |   |     |                  |   |   |   |   |   |     |  |   |   |   |   |   |     |  |   |   |   |   |   |     |   |   |   |   |   |   |     |   |   |   |   |   |   |     |  |   |   |   |   |   |     |  |   |   |   |   |   |     |                                       |   |   |   |   |   |     |                                       |   |   |   |   |   |     |  |   |   |   |   |   |     |   |   |   |   |   |   |     |                                      |   |   |   |   |   |     |   |   |   |   |   |   |     |  |   |   |   |   |   |     |                              |   |   |   |   |   |     |                                       |
| 0                | 1     | 1                              | 0  | 1 | LVL                     | Digital lock detect (DLD); active low.  |   |   |                         |                      |   |   |   |   |   |     |                        |   |   |   |   |   |     |  |   |   |   |   |   |     |  |   |   |   |   |   |     |   |   |   |   |   |   |     |   |   |   |   |   |   |     |   |   |   |   |   |   |     |   |   |   |   |   |   |     |                                     |   |   |   |   |   |     |                                     |   |   |   |   |   |     |  |   |   |   |   |   |     |   |   |   |   |   |   |     |                                       |   |   |   |   |   |     |   |   |   |   |   |   |     |  |   |   |   |   |   |     |                               |   |   |   |   |   |     |  |   |   |   |   |   |     |                  |   |   |   |   |   |     |  |   |   |   |   |   |     |  |   |   |   |   |   |     |   |   |   |   |   |   |     |   |   |   |   |   |   |     |  |   |   |   |   |   |     |  |   |   |   |   |   |     |                                       |   |   |   |   |   |     |                                       |   |   |   |   |   |     |  |   |   |   |   |   |     |   |   |   |   |   |   |     |                                      |   |   |   |   |   |     |   |   |   |   |   |   |     |  |   |   |   |   |   |     |                              |   |   |   |   |   |     |                                       |
| 0                | 1     | 1                              | 1  | 0 | LVL                     | Holdover active; active high.   |   |   |                         |                      |   |   |   |   |   |     |                        |   |   |   |   |   |     |  |   |   |   |   |   |     |  |   |   |   |   |   |     |   |   |   |   |   |   |     |   |   |   |   |   |   |     |   |   |   |   |   |   |     |   |   |   |   |   |   |     |                                     |   |   |   |   |   |     |                                     |   |   |   |   |   |     |  |   |   |   |   |   |     |   |   |   |   |   |   |     |                                       |   |   |   |   |   |     |   |   |   |   |   |   |     |  |   |   |   |   |   |     |                               |   |   |   |   |   |     |  |   |   |   |   |   |     |                  |   |   |   |   |   |     |  |   |   |   |   |   |     |  |   |   |   |   |   |     |   |   |   |   |   |   |     |   |   |   |   |   |   |     |  |   |   |   |   |   |     |  |   |   |   |   |   |     |                                       |   |   |   |   |   |     |                                       |   |   |   |   |   |     |  |   |   |   |   |   |     |   |   |   |   |   |   |     |                                      |   |   |   |   |   |     |   |   |   |   |   |   |     |  |   |   |   |   |   |     |                              |   |   |   |   |   |     |                                       |
| 0                | 1     | 1                              | 1  | 1 | LVL                     | LD pin comparator output; active high.  |   |   |                         |                      |   |   |   |   |   |     |                        |   |   |   |   |   |     |  |   |   |   |   |   |     |  |   |   |   |   |   |     |   |   |   |   |   |   |     |   |   |   |   |   |   |     |   |   |   |   |   |   |     |   |   |   |   |   |   |     |                                     |   |   |   |   |   |     |                                     |   |   |   |   |   |     |  |   |   |   |   |   |     |   |   |   |   |   |   |     |                                       |   |   |   |   |   |     |   |   |   |   |   |   |     |  |   |   |   |   |   |     |                               |   |   |   |   |   |     |  |   |   |   |   |   |     |                  |   |   |   |   |   |     |  |   |   |   |   |   |     |  |   |   |   |   |   |     |   |   |   |   |   |   |     |   |   |   |   |   |   |     |  |   |   |   |   |   |     |  |   |   |   |   |   |     |                                       |   |   |   |   |   |     |                                       |   |   |   |   |   |     |  |   |   |   |   |   |     |   |   |   |   |   |   |     |                                      |   |   |   |   |   |     |   |   |   |   |   |   |     |  |   |   |   |   |   |     |                              |   |   |   |   |   |     |                                       |
| 1                | 0     | 0                              | 0  | 0 | LVL                     | VS (PLL supply).  |   |   |                         |                      |   |   |   |   |   |     |                        |   |   |   |   |   |     |  |   |   |   |   |   |     |  |   |   |   |   |   |     |   |   |   |   |   |   |     |   |   |   |   |   |   |     |   |   |   |   |   |   |     |   |   |   |   |   |   |     |                                     |   |   |   |   |   |     |                                     |   |   |   |   |   |     |  |   |   |   |   |   |     |   |   |   |   |   |   |     |                                       |   |   |   |   |   |     |   |   |   |   |   |   |     |  |   |   |   |   |   |     |                               |   |   |   |   |   |     |  |   |   |   |   |   |     |                  |   |   |   |   |   |     |  |   |   |   |   |   |     |  |   |   |   |   |   |     |   |   |   |   |   |   |     |   |   |   |   |   |   |     |  |   |   |   |   |   |     |  |   |   |   |   |   |     |                                       |   |   |   |   |   |     |                                       |   |   |   |   |   |     |  |   |   |   |   |   |     |   |   |   |   |   |   |     |                                      |   |   |   |   |   |     |   |   |   |   |   |   |     |  |   |   |   |   |   |     |                              |   |   |   |   |   |     |                                       |
| 1                | 0     | 0                              | 0  | 1 | DYN                     | REF1 clock (differential reference when in differential mode).                    |   |   |                         |                      |   |   |   |   |   |     |                        |   |   |   |   |   |     |  |   |   |   |   |   |     |  |   |   |   |   |   |     |   |   |   |   |   |   |     |   |   |   |   |   |   |     |   |   |   |   |   |   |     |   |   |   |   |   |   |     |                                     |   |   |   |   |   |     |                                     |   |   |   |   |   |     |  |   |   |   |   |   |     |   |   |   |   |   |   |     |                                       |   |   |   |   |   |     |   |   |   |   |   |   |     |  |   |   |   |   |   |     |                               |   |   |   |   |   |     |  |   |   |   |   |   |     |                  |   |   |   |   |   |     |  |   |   |   |   |   |     |  |   |   |   |   |   |     |   |   |   |   |   |   |     |   |   |   |   |   |   |     |  |   |   |   |   |   |     |  |   |   |   |   |   |     |                                       |   |   |   |   |   |     |                                       |   |   |   |   |   |     |  |   |   |   |   |   |     |   |   |   |   |   |   |     |                                      |   |   |   |   |   |     |   |   |   |   |   |   |     |  |   |   |   |   |   |     |                              |   |   |   |   |   |     |                                       |
| 1                | 0     | 0                              | 1  | 0 | DYN                     | REF2 clock (not available in differential mode).                                  |   |   |                         |                      |   |   |   |   |   |     |                        |   |   |   |   |   |     |  |   |   |   |   |   |     |  |   |   |   |   |   |     |   |   |   |   |   |   |     |   |   |   |   |   |   |     |   |   |   |   |   |   |     |   |   |   |   |   |   |     |                                     |   |   |   |   |   |     |                                     |   |   |   |   |   |     |  |   |   |   |   |   |     |   |   |   |   |   |   |     |                                       |   |   |   |   |   |     |   |   |   |   |   |   |     |  |   |   |   |   |   |     |                               |   |   |   |   |   |     |  |   |   |   |   |   |     |                  |   |   |   |   |   |     |  |   |   |   |   |   |     |  |   |   |   |   |   |     |   |   |   |   |   |   |     |   |   |   |   |   |   |     |  |   |   |   |   |   |     |  |   |   |   |   |   |     |                                       |   |   |   |   |   |     |                                       |   |   |   |   |   |     |  |   |   |   |   |   |     |   |   |   |   |   |   |     |                                      |   |   |   |   |   |     |   |   |   |   |   |   |     |  |   |   |   |   |   |     |                              |   |   |   |   |   |     |                                       |
| 1                | 0     | 0                              | 1  | 1 | DYN                     | Selected reference to PLL (differential reference when in differential mode).     |   |   |                         |                      |   |   |   |   |   |     |                        |   |   |   |   |   |     |  |   |   |   |   |   |     |  |   |   |   |   |   |     |   |   |   |   |   |   |     |   |   |   |   |   |   |     |   |   |   |   |   |   |     |   |   |   |   |   |   |     |                                     |   |   |   |   |   |     |                                     |   |   |   |   |   |     |  |   |   |   |   |   |     |   |   |   |   |   |   |     |                                       |   |   |   |   |   |     |   |   |   |   |   |   |     |  |   |   |   |   |   |     |                               |   |   |   |   |   |     |  |   |   |   |   |   |     |                  |   |   |   |   |   |     |  |   |   |   |   |   |     |  |   |   |   |   |   |     |   |   |   |   |   |   |     |   |   |   |   |   |   |     |  |   |   |   |   |   |     |  |   |   |   |   |   |     |                                       |   |   |   |   |   |     |                                       |   |   |   |   |   |     |  |   |   |   |   |   |     |   |   |   |   |   |   |     |                                      |   |   |   |   |   |     |   |   |   |   |   |   |     |  |   |   |   |   |   |     |                              |   |   |   |   |   |     |                                       |
| 1                | 0     | 1                              | 0  | 0 | DYN                     | Unselected reference to PLL (not available in differential mode).                 |   |   |                         |                      |   |   |   |   |   |     |                        |   |   |   |   |   |     |  |   |   |   |   |   |     |  |   |   |   |   |   |     |   |   |   |   |   |   |     |   |   |   |   |   |   |     |   |   |   |   |   |   |     |   |   |   |   |   |   |     |                                     |   |   |   |   |   |     |                                     |   |   |   |   |   |     |  |   |   |   |   |   |     |   |   |   |   |   |   |     |                                       |   |   |   |   |   |     |   |   |   |   |   |   |     |  |   |   |   |   |   |     |                               |   |   |   |   |   |     |  |   |   |   |   |   |     |                  |   |   |   |   |   |     |  |   |   |   |   |   |     |  |   |   |   |   |   |     |   |   |   |   |   |   |     |   |   |   |   |   |   |     |  |   |   |   |   |   |     |  |   |   |   |   |   |     |                                       |   |   |   |   |   |     |                                       |   |   |   |   |   |     |  |   |   |   |   |   |     |   |   |   |   |   |   |     |                                      |   |   |   |   |   |     |   |   |   |   |   |   |     |  |   |   |   |   |   |     |                              |   |   |   |   |   |     |                                       |
| 1                | 0     | 1                              | 0  | 1 | LVL                     | Status of selected reference (status of differential reference); active low.      |   |   |                         |                      |   |   |   |   |   |     |                        |   |   |   |   |   |     |  |   |   |   |   |   |     |  |   |   |   |   |   |     |   |   |   |   |   |   |     |   |   |   |   |   |   |     |   |   |   |   |   |   |     |   |   |   |   |   |   |     |                                     |   |   |   |   |   |     |                                     |   |   |   |   |   |     |  |   |   |   |   |   |     |   |   |   |   |   |   |     |                                       |   |   |   |   |   |     |   |   |   |   |   |   |     |  |   |   |   |   |   |     |                               |   |   |   |   |   |     |  |   |   |   |   |   |     |                  |   |   |   |   |   |     |  |   |   |   |   |   |     |  |   |   |   |   |   |     |   |   |   |   |   |   |     |   |   |   |   |   |   |     |  |   |   |   |   |   |     |  |   |   |   |   |   |     |                                       |   |   |   |   |   |     |                                       |   |   |   |   |   |     |  |   |   |   |   |   |     |   |   |   |   |   |   |     |                                      |   |   |   |   |   |     |   |   |   |   |   |   |     |  |   |   |   |   |   |     |                              |   |   |   |   |   |     |                                       |
| 1                | 0     | 1                              | 1  | 0 | LVL                     | Status of unselected reference (not available in differential mode); active low.  |   |   |                         |                      |   |   |   |   |   |     |                        |   |   |   |   |   |     |  |   |   |   |   |   |     |  |   |   |   |   |   |     |   |   |   |   |   |   |     |   |   |   |   |   |   |     |   |   |   |   |   |   |     |   |   |   |   |   |   |     |                                     |   |   |   |   |   |     |                                     |   |   |   |   |   |     |  |   |   |   |   |   |     |   |   |   |   |   |   |     |                                       |   |   |   |   |   |     |   |   |   |   |   |   |     |  |   |   |   |   |   |     |                               |   |   |   |   |   |     |  |   |   |   |   |   |     |                  |   |   |   |   |   |     |  |   |   |   |   |   |     |  |   |   |   |   |   |     |   |   |   |   |   |   |     |   |   |   |   |   |   |     |  |   |   |   |   |   |     |  |   |   |   |   |   |     |                                       |   |   |   |   |   |     |                                       |   |   |   |   |   |     |  |   |   |   |   |   |     |   |   |   |   |   |   |     |                                      |   |   |   |   |   |     |   |   |   |   |   |   |     |  |   |   |   |   |   |     |                              |   |   |   |   |   |     |                                       |
| 1                | 0     | 1                              | 1  | 1 | LVL                     | Status of REF1 frequency; active low.   |   |   |                         |                      |   |   |   |   |   |     |                        |   |   |   |   |   |     |  |   |   |   |   |   |     |  |   |   |   |   |   |     |   |   |   |   |   |   |     |   |   |   |   |   |   |     |   |   |   |   |   |   |     |   |   |   |   |   |   |     |                                     |   |   |   |   |   |     |                                     |   |   |   |   |   |     |  |   |   |   |   |   |     |   |   |   |   |   |   |     |                                       |   |   |   |   |   |     |   |   |   |   |   |   |     |  |   |   |   |   |   |     |                               |   |   |   |   |   |     |  |   |   |   |   |   |     |                  |   |   |   |   |   |     |  |   |   |   |   |   |     |  |   |   |   |   |   |     |   |   |   |   |   |   |     |   |   |   |   |   |   |     |  |   |   |   |   |   |     |  |   |   |   |   |   |     |                                       |   |   |   |   |   |     |                                       |   |   |   |   |   |     |  |   |   |   |   |   |     |   |   |   |   |   |   |     |                                      |   |   |   |   |   |     |   |   |   |   |   |   |     |  |   |   |   |   |   |     |                              |   |   |   |   |   |     |                                       |
| 1                | 1     | 0                              | 0  | 0 | LVL                     | Status of REF2 frequency; active low.   |   |   |                         |                      |   |   |   |   |   |     |                        |   |   |   |   |   |     |  |   |   |   |   |   |     |  |   |   |   |   |   |     |   |   |   |   |   |   |     |   |   |   |   |   |   |     |   |   |   |   |   |   |     |   |   |   |   |   |   |     |                                     |   |   |   |   |   |     |                                     |   |   |   |   |   |     |  |   |   |   |   |   |     |   |   |   |   |   |   |     |                                       |   |   |   |   |   |     |   |   |   |   |   |   |     |  |   |   |   |   |   |     |                               |   |   |   |   |   |     |  |   |   |   |   |   |     |                  |   |   |   |   |   |     |  |   |   |   |   |   |     |  |   |   |   |   |   |     |   |   |   |   |   |   |     |   |   |   |   |   |   |     |  |   |   |   |   |   |     |  |   |   |   |   |   |     |                                       |   |   |   |   |   |     |                                       |   |   |   |   |   |     |  |   |   |   |   |   |     |   |   |   |   |   |   |     |                                      |   |   |   |   |   |     |   |   |   |   |   |   |     |  |   |   |   |   |   |     |                              |   |   |   |   |   |     |                                       |
| 1                | 1     | 0                              | 0  | 1 | LVL                     | (Status of REF1 frequency) AND (Status of REF2 frequency).                        |   |   |                         |                      |   |   |   |   |   |     |                        |   |   |   |   |   |     |  |   |   |   |   |   |     |  |   |   |   |   |   |     |   |   |   |   |   |   |     |   |   |   |   |   |   |     |   |   |   |   |   |   |     |   |   |   |   |   |   |     |                                     |   |   |   |   |   |     |                                     |   |   |   |   |   |     |  |   |   |   |   |   |     |   |   |   |   |   |   |     |                                       |   |   |   |   |   |     |   |   |   |   |   |   |     |  |   |   |   |   |   |     |                               |   |   |   |   |   |     |  |   |   |   |   |   |     |                  |   |   |   |   |   |     |  |   |   |   |   |   |     |  |   |   |   |   |   |     |   |   |   |   |   |   |     |   |   |   |   |   |   |     |  |   |   |   |   |   |     |  |   |   |   |   |   |     |                                       |   |   |   |   |   |     |                                       |   |   |   |   |   |     |  |   |   |   |   |   |     |   |   |   |   |   |   |     |                                      |   |   |   |   |   |     |   |   |   |   |   |   |     |  |   |   |   |   |   |     |                              |   |   |   |   |   |     |                                       |
| 1                | 1     | 0                              | 1  | 0 | LVL                     | (DLD) AND (Status of selected reference) AND (Status of VCO).                     |   |   |                         |                      |   |   |   |   |   |     |                        |   |   |   |   |   |     |  |   |   |   |   |   |     |  |   |   |   |   |   |     |   |   |   |   |   |   |     |   |   |   |   |   |   |     |   |   |   |   |   |   |     |   |   |   |   |   |   |     |                                     |   |   |   |   |   |     |                                     |   |   |   |   |   |     |  |   |   |   |   |   |     |   |   |   |   |   |   |     |                                       |   |   |   |   |   |     |   |   |   |   |   |   |     |  |   |   |   |   |   |     |                               |   |   |   |   |   |     |  |   |   |   |   |   |     |                  |   |   |   |   |   |     |  |   |   |   |   |   |     |  |   |   |   |   |   |     |   |   |   |   |   |   |     |   |   |   |   |   |   |     |  |   |   |   |   |   |     |  |   |   |   |   |   |     |                                       |   |   |   |   |   |     |                                       |   |   |   |   |   |     |  |   |   |   |   |   |     |   |   |   |   |   |   |     |                                      |   |   |   |   |   |     |   |   |   |   |   |   |     |  |   |   |   |   |   |     |                              |   |   |   |   |   |     |                                       |
| 1                | 1     | 0                              | 1  | 1 | LVL                     | Status of VCO frequency; active low.  |   |   |                         |                      |   |   |   |   |   |     |                        |   |   |   |   |   |     |  |   |   |   |   |   |     |  |   |   |   |   |   |     |   |   |   |   |   |   |     |   |   |   |   |   |   |     |   |   |   |   |   |   |     |   |   |   |   |   |   |     |                                     |   |   |   |   |   |     |                                     |   |   |   |   |   |     |  |   |   |   |   |   |     |   |   |   |   |   |   |     |                                       |   |   |   |   |   |     |   |   |   |   |   |   |     |  |   |   |   |   |   |     |                               |   |   |   |   |   |     |  |   |   |   |   |   |     |                  |   |   |   |   |   |     |  |   |   |   |   |   |     |  |   |   |   |   |   |     |   |   |   |   |   |   |     |   |   |   |   |   |   |     |  |   |   |   |   |   |     |  |   |   |   |   |   |     |                                       |   |   |   |   |   |     |                                       |   |   |   |   |   |     |  |   |   |   |   |   |     |   |   |   |   |   |   |     |                                      |   |   |   |   |   |     |   |   |   |   |   |   |     |  |   |   |   |   |   |     |                              |   |   |   |   |   |     |                                       |
| 1                | 1     | 1                              | 0  | 0 | LVL                     | Selected reference (low = REF2, high = REF1).                                     |   |   |                         |                      |   |   |   |   |   |     |                        |   |   |   |   |   |     |  |   |   |   |   |   |     |  |   |   |   |   |   |     |   |   |   |   |   |   |     |   |   |   |   |   |   |     |   |   |   |   |   |   |     |   |   |   |   |   |   |     |                                     |   |   |   |   |   |     |                                     |   |   |   |   |   |     |  |   |   |   |   |   |     |   |   |   |   |   |   |     |                                       |   |   |   |   |   |     |   |   |   |   |   |   |     |  |   |   |   |   |   |     |                               |   |   |   |   |   |     |  |   |   |   |   |   |     |                  |   |   |   |   |   |     |  |   |   |   |   |   |     |  |   |   |   |   |   |     |   |   |   |   |   |   |     |   |   |   |   |   |   |     |  |   |   |   |   |   |     |  |   |   |   |   |   |     |                                       |   |   |   |   |   |     |                                       |   |   |   |   |   |     |  |   |   |   |   |   |     |   |   |   |   |   |   |     |                                      |   |   |   |   |   |     |   |   |   |   |   |   |     |  |   |   |   |   |   |     |                              |   |   |   |   |   |     |                                       |
| 1                | 1     | 1                              | 0  | 1 | LVL                     | Digital lock detect (DLD); active low.  |   |   |                         |                      |   |   |   |   |   |     |                        |   |   |   |   |   |     |  |   |   |   |   |   |     |  |   |   |   |   |   |     |   |   |   |   |   |   |     |   |   |   |   |   |   |     |   |   |   |   |   |   |     |   |   |   |   |   |   |     |                                     |   |   |   |   |   |     |                                     |   |   |   |   |   |     |  |   |   |   |   |   |     |   |   |   |   |   |   |     |                                       |   |   |   |   |   |     |   |   |   |   |   |   |     |  |   |   |   |   |   |     |                               |   |   |   |   |   |     |  |   |   |   |   |   |     |                  |   |   |   |   |   |     |  |   |   |   |   |   |     |  |   |   |   |   |   |     |   |   |   |   |   |   |     |   |   |   |   |   |   |     |  |   |   |   |   |   |     |  |   |   |   |   |   |     |                                       |   |   |   |   |   |     |                                       |   |   |   |   |   |     |  |   |   |   |   |   |     |   |   |   |   |   |   |     |                                      |   |   |   |   |   |     |   |   |   |   |   |   |     |  |   |   |   |   |   |     |                              |   |   |   |   |   |     |                                       |
| 1                | 1     | 1                              | 1  | 0 | LVL                     | Holdover active; active low.  |   |   |                         |                      |   |   |   |   |   |     |                        |   |   |   |   |   |     |  |   |   |   |   |   |     |  |   |   |   |   |   |     |   |   |   |   |   |   |     |   |   |   |   |   |   |     |   |   |   |   |   |   |     |   |   |   |   |   |   |     |                                     |   |   |   |   |   |     |                                     |   |   |   |   |   |     |  |   |   |   |   |   |     |   |   |   |   |   |   |     |                                       |   |   |   |   |   |     |   |   |   |   |   |   |     |  |   |   |   |   |   |     |                               |   |   |   |   |   |     |  |   |   |   |   |   |     |                  |   |   |   |   |   |     |  |   |   |   |   |   |     |  |   |   |   |   |   |     |   |   |   |   |   |   |     |   |   |   |   |   |   |     |  |   |   |   |   |   |     |  |   |   |   |   |   |     |                                       |   |   |   |   |   |     |                                       |   |   |   |   |   |     |  |   |   |   |   |   |     |   |   |   |   |   |   |     |                                      |   |   |   |   |   |     |   |   |   |   |   |   |     |  |   |   |   |   |   |     |                              |   |   |   |   |   |     |                                       |
| 1                | 1     | 1                              | 1  | 1 | LVL                     | LD pin comparator output; active low.   |   |   |                         |                      |   |   |   |   |   |     |                        |   |   |   |   |   |     |  |   |   |   |   |   |     |  |   |   |   |   |   |     |   |   |   |   |   |   |     |   |   |   |   |   |   |     |   |   |   |   |   |   |     |   |   |   |   |   |   |     |                                     |   |   |   |   |   |     |                                     |   |   |   |   |   |     |  |   |   |   |   |   |     |   |   |   |   |   |   |     |                                       |   |   |   |   |   |     |   |   |   |   |   |   |     |  |   |   |   |   |   |     |                               |   |   |   |   |   |     |  |   |   |   |   |   |     |                  |   |   |   |   |   |     |  |   |   |   |   |   |     |  |   |   |   |   |   |     |   |   |   |   |   |   |     |   |   |   |   |   |   |     |  |   |   |   |   |   |     |  |   |   |   |   |   |     |                                       |   |   |   |   |   |     |                                       |   |   |   |   |   |     |  |   |   |   |   |   |     |   |   |   |   |   |   |     |                                      |   |   |   |   |   |     |   |   |   |   |   |   |     |  |   |   |   |   |   |     |                              |   |   |   |   |   |     |                                       |

| Reg. Addr. (Hex) | Bits  | Name                        | Description   |
|------------------|-------|-----------------------------|---|
| 0x01C            | 7     | Disable switchover deglitch | Disables or enables the switchover deglitch circuit.<br>0: enables switchover deglitch circuit (default).<br>1: disables switchover deglitch circuit.   |
|                  | 6     | Select REF2                 | If Register 0x01C, Bit 5 = 0b, selects reference for PLL.<br>0: selects REF1 (default).<br>1: selects REF2.   |
|                  | 5     | Use REF_SEL pin             | Sets method of PLL reference selection.<br>0: uses Register 0x01C, Bit 6 (default).<br>1: uses REF_SEL pin.   |
|                  | [4:3] | Reserved                    | Reserved (default: 00b).  |
|                  | 2     | REF2 power-on               | This bit turns the REF2 power on.<br>0: REF2 power off (default).<br>1: REF2 power on.  |
|                  | 1     | REF1 power-on               | This bit turns the REF1 power on.<br>0: REF1 power off (default).<br>1: REF1 power on.  |
|                  | 0     | Differential reference      | Selects the PLL reference mode: differential or single-ended. Single-ended must be selected for the automatic switchover between REF1 and REF2 to work.<br>0: single-ended reference mode (default).<br>1: differential reference mode.   |
| 0x01D            | 4     | PLL status register disable | Disables the PLL status register readback.<br>0: PLL status register enable (default).<br>1: PLL status register disable.   |
|                  | 3     | LD pin comparator enable    | Enables the LD pin voltage comparator. This function is used with the LD pin current source lock detect mode. When in the internal (automatic) holdover mode, this function enables the use of the voltage on the LD pin to determine if the PLL was previously in a locked state (see Figure 38). Otherwise, this function can be used with the REFMON and STATUS pins to monitor the voltage on this pin.<br>0: disables LD pin comparator; internal/automatic holdover controller treats this pin as true (high) (default).<br>1: enables LD pin comparator. |
|                  | 2     | Holdover enable             | Along with Bit 0, enables the holdover function. Automatic holdover must be disabled during VCO calibration.<br>0: holdover disabled (default).<br>1: holdover enabled.   |
|                  | 1     | External holdover control   | Enables the external hold control through the $\overline{\text{SYNC}}$ pin. (This disables the internal holdover mode.)<br>0: automatic holdover mode; holdover controlled by automatic holdover circuit (default).<br>1: external holdover mode; holdover controlled by $\overline{\text{SYNC}}$ pin.  |
|                  | 0     | Holdover enable             | Along with Bit 2, enables the holdover function. Automatic holdover must be disabled during VCO calibration.<br>0: holdover disabled (default).<br>1: holdover enabled.   |
| 0x01F            | 6     | VCO cal finished            | Read-only register. Indicates status of the VCO calibration.<br>0: VCO calibration not finished.<br>1: VCO calibration finished.  |
|                  | 5     | Holdover active             | Read-only register. Indicates if the part is in the holdover state (see Figure 38). This is not the same as holdover enabled.<br>0: not in holdover.<br>1: holdover state active.   |
|                  | 4     | REF2 selected               | Read-only register. Indicates which PLL reference is selected as the input to the PLL.<br>0: REF1 selected (or differential reference if in differential mode).<br>1: REF2 selected.  |
|                  | 3     | VCO frequency > threshold   | Read-only register. Indicates if the VCO frequency is greater than the threshold (see Table 15: REF1, REF2, and VCO frequency status monitor).<br>0: VCO frequency is less than the threshold.<br>1: VCO frequency is greater than the threshold.   |
|                  | 2     | REF2 frequency > threshold  | Read-only register. Indicates if the frequency of the signal at REF2 is greater than the threshold frequency set by Register 0x1A, Bit 6.<br>0: REF2 frequency is less than threshold frequency.<br>1: REF2 frequency is greater than threshold frequency.  |

| Reg. Addr. (Hex) | Bits | Name                       | Description   |
|------------------|------|----------------------------|---|
|                  | 1    | REF1 frequency > threshold | Read-only register. Indicates if the frequency of the signal at REF2 is greater than the threshold frequency set by Register 0x01A, Bit 6.<br>0: REF1 frequency is less than threshold frequency.<br>1: REF1 frequency is greater than threshold frequency. |
|                  | 0    | Digital lock detect        | Read-only register. Digital lock detect.<br>0: PLL is not locked.<br>1: PLL is locked.  |

Table 45. LVPECL Outputs

| Reg. Addr. (Hex) | Bits  | Name  | Description  |   |      |               |        |   |      |                             |    |      |   |   |                |   |   |   |     |   |   |  |     |
|------------------|-------|---|--|---|------|---------------|--------|---|------|-----------------------------|----|------|---|---|----------------|---|---|---|-----|---|---|--|-----|
| 0x0F0            | 4     | OUT0 invert   | Sets the output polarity.<br>0: noninverting (default).<br>1: inverting.   |   |      |               |        |   |      |                             |    |      |   |   |                |   |   |   |     |   |   |  |     |
|                  | [3:2] | OUT0 LVPECL differential voltage  | Sets the LVPECL output differential voltage ( $V_{OD}$ ).  |   |      |               |        |   |      |                             |    |      |   |   |                |   |   |   |     |   |   |  |     |
|                  |       |   | <table border="1"> <thead> <tr> <th>3</th> <th>2</th> <th><math>V_{OD}</math> (mV)</th> </tr> </thead> <tbody> <tr> <td>0</td> <td>0</td> <td>400.</td> </tr> <tr> <td>0</td> <td>1</td> <td>600.</td> </tr> <tr> <td>1</td> <td>0</td> <td>780 (default).</td> </tr> <tr> <td>1</td> <td>1</td> <td>960.</td> </tr> </tbody> </table>   | 3 | 2    | $V_{OD}$ (mV) | 0      | 0 | 400. | 0                           | 1  | 600. | 1 | 0   | 780 (default). | 1 | 1 | 960.  |     |   |   |  |     |
| 3                | 2     | $V_{OD}$ (mV)   |  |   |      |               |        |   |      |                             |    |      |   |   |                |   |   |   |     |   |   |  |     |
| 0                | 0     | 400.  |  |   |      |               |        |   |      |                             |    |      |   |   |                |   |   |   |     |   |   |  |     |
| 0                | 1     | 600.  |  |   |      |               |        |   |      |                             |    |      |   |   |                |   |   |   |     |   |   |  |     |
| 1                | 0     | 780 (default).  |  |   |      |               |        |   |      |                             |    |      |   |   |                |   |   |   |     |   |   |  |     |
| 1                | 1     | 960.  |  |   |      |               |        |   |      |                             |    |      |   |   |                |   |   |   |     |   |   |  |     |
| [1:0]            |       | OUT0 power-down   | LVPECL power-down modes.   |   |      |               |        |   |      |                             |    |      |   |   |                |   |   |   |     |   |   |  |     |
|                  |       |   | <table border="1"> <thead> <tr> <th>1</th> <th>0</th> <th>Mode</th> <th>Output</th> </tr> </thead> <tbody> <tr> <td>0</td> <td>0</td> <td>Normal operation (default).</td> <td>On</td> </tr> <tr> <td>0</td> <td>1</td> <td>Partial power-down, reference on; use only if there are no external load resistors.</td> <td>Off</td> </tr> <tr> <td>1</td> <td>0</td> <td>Partial power-down, reference on, safe LVPECL power-down.</td> <td>Off</td> </tr> <tr> <td>1</td> <td>1</td> <td>Total power-down, reference off; use only if there are no external load resistors.</td> <td>Off</td> </tr> </tbody> </table> | 1 | 0    | Mode          | Output | 0 | 0    | Normal operation (default). | On | 0    | 1 | Partial power-down, reference on; use only if there are no external load resistors. | Off            | 1 | 0 | Partial power-down, reference on, safe LVPECL power-down.           | Off | 1 | 1 | Total power-down, reference off; use only if there are no external load resistors. | Off |
|                  |       |   | 1  | 0 | Mode | Output        |        |   |      |                             |    |      |   |   |                |   |   |   |     |   |   |  |     |
| 0                | 0     | Normal operation (default).   | On   |   |      |               |        |   |      |                             |    |      |   |   |                |   |   |   |     |   |   |  |     |
| 0                | 1     | Partial power-down, reference on; use only if there are no external load resistors. | Off  |   |      |               |        |   |      |                             |    |      |   |   |                |   |   |   |     |   |   |  |     |
| 1                | 0     | Partial power-down, reference on, safe LVPECL power-down.                           | Off  |   |      |               |        |   |      |                             |    |      |   |   |                |   |   |   |     |   |   |  |     |
| 1                | 1     | Total power-down, reference off; use only if there are no external load resistors.  | Off  |   |      |               |        |   |      |                             |    |      |   |   |                |   |   |   |     |   |   |  |     |
|                  |       |   |  |   |      |               |        |   |      |                             |    |      |   |   |                |   |   |   |     |   |   |  |     |
| 0x0F1            | 4     | OUT1 invert   | Sets the output polarity.<br>0: noninverting (default).<br>1: inverting.   |   |      |               |        |   |      |                             |    |      |   |   |                |   |   |   |     |   |   |  |     |
|                  | [3:2] | OUT1 LVPECL differential voltage  | Sets the LVPECL output differential voltage ( $V_{OD}$ ).  |   |      |               |        |   |      |                             |    |      |   |   |                |   |   |   |     |   |   |  |     |
|                  |       |   | <table border="1"> <thead> <tr> <th>3</th> <th>2</th> <th><math>V_{OD}</math> (mV)</th> </tr> </thead> <tbody> <tr> <td>0</td> <td>0</td> <td>400.</td> </tr> <tr> <td>0</td> <td>1</td> <td>600.</td> </tr> <tr> <td>1</td> <td>0</td> <td>780 (default).</td> </tr> <tr> <td>1</td> <td>1</td> <td>960.</td> </tr> </tbody> </table>   | 3 | 2    | $V_{OD}$ (mV) | 0      | 0 | 400. | 0                           | 1  | 600. | 1 | 0   | 780 (default). | 1 | 1 | 960.  |     |   |   |  |     |
| 3                | 2     | $V_{OD}$ (mV)   |  |   |      |               |        |   |      |                             |    |      |   |   |                |   |   |   |     |   |   |  |     |
| 0                | 0     | 400.  |  |   |      |               |        |   |      |                             |    |      |   |   |                |   |   |   |     |   |   |  |     |
| 0                | 1     | 600.  |  |   |      |               |        |   |      |                             |    |      |   |   |                |   |   |   |     |   |   |  |     |
| 1                | 0     | 780 (default).  |  |   |      |               |        |   |      |                             |    |      |   |   |                |   |   |   |     |   |   |  |     |
| 1                | 1     | 960.  |  |   |      |               |        |   |      |                             |    |      |   |   |                |   |   |   |     |   |   |  |     |
| [1:0]            |       | OUT1 power-down   | LVPECL power-down modes.   |   |      |               |        |   |      |                             |    |      |   |   |                |   |   |   |     |   |   |  |     |
|                  |       |   | <table border="1"> <thead> <tr> <th>1</th> <th>0</th> <th>Mode</th> <th>Output</th> </tr> </thead> <tbody> <tr> <td>0</td> <td>0</td> <td>Normal operation.</td> <td>On</td> </tr> <tr> <td>0</td> <td>1</td> <td>Partial power-down, reference on; use only if there are no external load resistors.</td> <td>Off</td> </tr> <tr> <td>1</td> <td>0</td> <td>Partial power-down, reference on, safe LVPECL power-down (default).</td> <td>Off</td> </tr> <tr> <td>1</td> <td>1</td> <td>Total power-down, reference off; use only if there are no external load resistors.</td> <td>Off</td> </tr> </tbody> </table> | 1 | 0    | Mode          | Output | 0 | 0    | Normal operation.           | On | 0    | 1 | Partial power-down, reference on; use only if there are no external load resistors. | Off            | 1 | 0 | Partial power-down, reference on, safe LVPECL power-down (default). | Off | 1 | 1 | Total power-down, reference off; use only if there are no external load resistors. | Off |
|                  |       |   | 1  | 0 | Mode | Output        |        |   |      |                             |    |      |   |   |                |   |   |   |     |   |   |  |     |
| 0                | 0     | Normal operation.   | On   |   |      |               |        |   |      |                             |    |      |   |   |                |   |   |   |     |   |   |  |     |
| 0                | 1     | Partial power-down, reference on; use only if there are no external load resistors. | Off  |   |      |               |        |   |      |                             |    |      |   |   |                |   |   |   |     |   |   |  |     |
| 1                | 0     | Partial power-down, reference on, safe LVPECL power-down (default).                 | Off  |   |      |               |        |   |      |                             |    |      |   |   |                |   |   |   |     |   |   |  |     |
| 1                | 1     | Total power-down, reference off; use only if there are no external load resistors.  | Off  |   |      |               |        |   |      |                             |    |      |   |   |                |   |   |   |     |   |   |  |     |
|                  |       |   |  |   |      |               |        |   |      |                             |    |      |   |   |                |   |   |   |     |   |   |  |     |
| 0x0F2            | 4     | OUT2 invert   | Sets the output polarity.<br>0: noninverting (default).<br>1: inverting.   |   |      |               |        |   |      |                             |    |      |   |   |                |   |   |   |     |   |   |  |     |
|                  | [3:2] | OUT2 LVPECL differential voltage  | Sets the LVPECL output differential voltage ( $V_{OD}$ ).  |   |      |               |        |   |      |                             |    |      |   |   |                |   |   |   |     |   |   |  |     |
|                  |       |   | <table border="1"> <thead> <tr> <th>3</th> <th>2</th> <th><math>V_{OD}</math> (mV)</th> </tr> </thead> <tbody> <tr> <td>0</td> <td>0</td> <td>400.</td> </tr> <tr> <td>0</td> <td>1</td> <td>600.</td> </tr> <tr> <td>1</td> <td>0</td> <td>780 (default).</td> </tr> <tr> <td>1</td> <td>1</td> <td>960.</td> </tr> </tbody> </table>   | 3 | 2    | $V_{OD}$ (mV) | 0      | 0 | 400. | 0                           | 1  | 600. | 1 | 0   | 780 (default). | 1 | 1 | 960.  |     |   |   |  |     |
| 3                | 2     | $V_{OD}$ (mV)   |  |   |      |               |        |   |      |                             |    |      |   |   |                |   |   |   |     |   |   |  |     |
| 0                | 0     | 400.  |  |   |      |               |        |   |      |                             |    |      |   |   |                |   |   |   |     |   |   |  |     |
| 0                | 1     | 600.  |  |   |      |               |        |   |      |                             |    |      |   |   |                |   |   |   |     |   |   |  |     |
| 1                | 0     | 780 (default).  |  |   |      |               |        |   |      |                             |    |      |   |   |                |   |   |   |     |   |   |  |     |
| 1                | 1     | 960.  |  |   |      |               |        |   |      |                             |    |      |   |   |                |   |   |   |     |   |   |  |     |
| [1:0]            |       | OUT2 power-down   | LVPECL power-down modes.   |   |      |               |        |   |      |                             |    |      |   |   |                |   |   |   |     |   |   |  |     |
|                  |       |   | <table border="1"> <thead> <tr> <th>1</th> <th>0</th> <th>Mode</th> <th>Output</th> </tr> </thead> <tbody> <tr> <td>0</td> <td>0</td> <td>Normal operation (default).</td> <td>On</td> </tr> <tr> <td>0</td> <td>1</td> <td>Partial power-down, reference on; use only if there are no external load resistors.</td> <td>Off</td> </tr> <tr> <td>1</td> <td>0</td> <td>Partial power-down, reference on, safe LVPECL power-down.</td> <td>Off</td> </tr> <tr> <td>1</td> <td>1</td> <td>Total power-down, reference off; use only if there are no external load resistors.</td> <td>Off</td> </tr> </tbody> </table> | 1 | 0    | Mode          | Output | 0 | 0    | Normal operation (default). | On | 0    | 1 | Partial power-down, reference on; use only if there are no external load resistors. | Off            | 1 | 0 | Partial power-down, reference on, safe LVPECL power-down.           | Off | 1 | 1 | Total power-down, reference off; use only if there are no external load resistors. | Off |
|                  |       |   | 1  | 0 | Mode | Output        |        |   |      |                             |    |      |   |   |                |   |   |   |     |   |   |  |     |
| 0                | 0     | Normal operation (default).   | On   |   |      |               |        |   |      |                             |    |      |   |   |                |   |   |   |     |   |   |  |     |
| 0                | 1     | Partial power-down, reference on; use only if there are no external load resistors. | Off  |   |      |               |        |   |      |                             |    |      |   |   |                |   |   |   |     |   |   |  |     |
| 1                | 0     | Partial power-down, reference on, safe LVPECL power-down.                           | Off  |   |      |               |        |   |      |                             |    |      |   |   |                |   |   |   |     |   |   |  |     |
| 1                | 1     | Total power-down, reference off; use only if there are no external load resistors.  | Off  |   |      |               |        |   |      |                             |    |      |   |   |                |   |   |   |     |   |   |  |     |
|                  |       |   |  |   |      |               |        |   |      |                             |    |      |   |   |                |   |   |   |     |   |   |  |     |

| Reg. Addr. (Hex) | Bits            | Name  | Description  |   |   |               |        |   |      |                             |    |      |   |   |                |   |   |   |     |   |   |  |     |
|------------------|-----------------|---|--|---|---|---------------|--------|---|------|-----------------------------|----|------|---|---|----------------|---|---|---|-----|---|---|--|-----|
| 0x0F3            | 4               | OUT3 invert   | Sets the output polarity.<br>0: noninverting (default).<br>1: inverting.   |   |   |               |        |   |      |                             |    |      |   |   |                |   |   |   |     |   |   |  |     |
|                  | [3:2]           | OUT3 LVPECL differential voltage  | Sets the LVPECL output differential voltage ( $V_{OD}$ ).  |   |   |               |        |   |      |                             |    |      |   |   |                |   |   |   |     |   |   |  |     |
|                  |                 |   | <table border="1"> <thead> <tr> <th>3</th> <th>2</th> <th><math>V_{OD}</math> (mV)</th> </tr> </thead> <tbody> <tr> <td>0</td> <td>0</td> <td>400.</td> </tr> <tr> <td>0</td> <td>1</td> <td>600.</td> </tr> <tr> <td>1</td> <td>0</td> <td>780 (default).</td> </tr> <tr> <td>1</td> <td>1</td> <td>960.</td> </tr> </tbody> </table>   | 3 | 2 | $V_{OD}$ (mV) | 0      | 0 | 400. | 0                           | 1  | 600. | 1 | 0   | 780 (default). | 1 | 1 | 960.  |     |   |   |  |     |
|                  | 3               | 2   | $V_{OD}$ (mV)  |   |   |               |        |   |      |                             |    |      |   |   |                |   |   |   |     |   |   |  |     |
| 0                | 0               | 400.  |  |   |   |               |        |   |      |                             |    |      |   |   |                |   |   |   |     |   |   |  |     |
| 0                | 1               | 600.  |  |   |   |               |        |   |      |                             |    |      |   |   |                |   |   |   |     |   |   |  |     |
| 1                | 0               | 780 (default).  |  |   |   |               |        |   |      |                             |    |      |   |   |                |   |   |   |     |   |   |  |     |
| 1                | 1               | 960.  |  |   |   |               |        |   |      |                             |    |      |   |   |                |   |   |   |     |   |   |  |     |
| [1:0]            | OUT3 power-down | LVPECL power-down modes.  | <table border="1"> <thead> <tr> <th>1</th> <th>0</th> <th>Mode</th> <th>Output</th> </tr> </thead> <tbody> <tr> <td>0</td> <td>0</td> <td>Normal operation.</td> <td>On</td> </tr> <tr> <td>0</td> <td>1</td> <td>Partial power-down, reference on; use only if there are no external load resistors.</td> <td>Off</td> </tr> <tr> <td>1</td> <td>0</td> <td>Partial power-down, reference on, safe LVPECL power-down (default).</td> <td>Off</td> </tr> <tr> <td>1</td> <td>1</td> <td>Total power-down, reference off; use only if there are no external load resistors.</td> <td>Off</td> </tr> </tbody> </table> | 1 | 0 | Mode          | Output | 0 | 0    | Normal operation.           | On | 0    | 1 | Partial power-down, reference on; use only if there are no external load resistors. | Off            | 1 | 0 | Partial power-down, reference on, safe LVPECL power-down (default). | Off | 1 | 1 | Total power-down, reference off; use only if there are no external load resistors. | Off |
| 1                | 0               | Mode  | Output   |   |   |               |        |   |      |                             |    |      |   |   |                |   |   |   |     |   |   |  |     |
| 0                | 0               | Normal operation.   | On   |   |   |               |        |   |      |                             |    |      |   |   |                |   |   |   |     |   |   |  |     |
| 0                | 1               | Partial power-down, reference on; use only if there are no external load resistors. | Off  |   |   |               |        |   |      |                             |    |      |   |   |                |   |   |   |     |   |   |  |     |
| 1                | 0               | Partial power-down, reference on, safe LVPECL power-down (default).                 | Off  |   |   |               |        |   |      |                             |    |      |   |   |                |   |   |   |     |   |   |  |     |
| 1                | 1               | Total power-down, reference off; use only if there are no external load resistors.  | Off  |   |   |               |        |   |      |                             |    |      |   |   |                |   |   |   |     |   |   |  |     |
| 0x0F4            | 4               | OUT4 invert   | Sets the output polarity.<br>0: noninverting (default).<br>1: inverting.   |   |   |               |        |   |      |                             |    |      |   |   |                |   |   |   |     |   |   |  |     |
|                  | [3:2]           | OUT4 LVPECL differential voltage  | Sets the LVPECL output differential voltage ( $V_{OD}$ ).  |   |   |               |        |   |      |                             |    |      |   |   |                |   |   |   |     |   |   |  |     |
|                  |                 |   | <table border="1"> <thead> <tr> <th>3</th> <th>2</th> <th><math>V_{OD}</math> (mV)</th> </tr> </thead> <tbody> <tr> <td>0</td> <td>0</td> <td>400.</td> </tr> <tr> <td>0</td> <td>1</td> <td>600.</td> </tr> <tr> <td>1</td> <td>0</td> <td>780 (default).</td> </tr> <tr> <td>1</td> <td>1</td> <td>960.</td> </tr> </tbody> </table>   | 3 | 2 | $V_{OD}$ (mV) | 0      | 0 | 400. | 0                           | 1  | 600. | 1 | 0   | 780 (default). | 1 | 1 | 960.  |     |   |   |  |     |
|                  | 3               | 2   | $V_{OD}$ (mV)  |   |   |               |        |   |      |                             |    |      |   |   |                |   |   |   |     |   |   |  |     |
| 0                | 0               | 400.  |  |   |   |               |        |   |      |                             |    |      |   |   |                |   |   |   |     |   |   |  |     |
| 0                | 1               | 600.  |  |   |   |               |        |   |      |                             |    |      |   |   |                |   |   |   |     |   |   |  |     |
| 1                | 0               | 780 (default).  |  |   |   |               |        |   |      |                             |    |      |   |   |                |   |   |   |     |   |   |  |     |
| 1                | 1               | 960.  |  |   |   |               |        |   |      |                             |    |      |   |   |                |   |   |   |     |   |   |  |     |
| [1:0]            | OUT4 power-down | LVPECL power-down modes.  | <table border="1"> <thead> <tr> <th>1</th> <th>0</th> <th>Mode</th> <th>Output</th> </tr> </thead> <tbody> <tr> <td>0</td> <td>0</td> <td>Normal operation (default).</td> <td>On</td> </tr> <tr> <td>0</td> <td>1</td> <td>Partial power-down, reference on; use only if there are no external load resistors.</td> <td>Off</td> </tr> <tr> <td>1</td> <td>0</td> <td>Partial power-down, reference on, safe LVPECL power-down.</td> <td>Off</td> </tr> <tr> <td>1</td> <td>1</td> <td>Total power-down, reference off; use only if there are no external load resistors.</td> <td>Off</td> </tr> </tbody> </table> | 1 | 0 | Mode          | Output | 0 | 0    | Normal operation (default). | On | 0    | 1 | Partial power-down, reference on; use only if there are no external load resistors. | Off            | 1 | 0 | Partial power-down, reference on, safe LVPECL power-down.           | Off | 1 | 1 | Total power-down, reference off; use only if there are no external load resistors. | Off |
| 1                | 0               | Mode  | Output   |   |   |               |        |   |      |                             |    |      |   |   |                |   |   |   |     |   |   |  |     |
| 0                | 0               | Normal operation (default).   | On   |   |   |               |        |   |      |                             |    |      |   |   |                |   |   |   |     |   |   |  |     |
| 0                | 1               | Partial power-down, reference on; use only if there are no external load resistors. | Off  |   |   |               |        |   |      |                             |    |      |   |   |                |   |   |   |     |   |   |  |     |
| 1                | 0               | Partial power-down, reference on, safe LVPECL power-down.                           | Off  |   |   |               |        |   |      |                             |    |      |   |   |                |   |   |   |     |   |   |  |     |
| 1                | 1               | Total power-down, reference off; use only if there are no external load resistors.  | Off  |   |   |               |        |   |      |                             |    |      |   |   |                |   |   |   |     |   |   |  |     |
| 0x0F5            | 4               | OUT5 invert   | Sets the output polarity.<br>0: noninverting (default).<br>1: inverting.   |   |   |               |        |   |      |                             |    |      |   |   |                |   |   |   |     |   |   |  |     |
|                  | [3:2]           | OUT5 LVPECL differential voltage  | Sets the LVPECL output differential voltage ( $V_{OD}$ ).  |   |   |               |        |   |      |                             |    |      |   |   |                |   |   |   |     |   |   |  |     |
|                  |                 |   | <table border="1"> <thead> <tr> <th>3</th> <th>2</th> <th><math>V_{OD}</math> (mV)</th> </tr> </thead> <tbody> <tr> <td>0</td> <td>0</td> <td>400.</td> </tr> <tr> <td>0</td> <td>1</td> <td>600.</td> </tr> <tr> <td>1</td> <td>0</td> <td>780 (default).</td> </tr> <tr> <td>1</td> <td>1</td> <td>960.</td> </tr> </tbody> </table>   | 3 | 2 | $V_{OD}$ (mV) | 0      | 0 | 400. | 0                           | 1  | 600. | 1 | 0   | 780 (default). | 1 | 1 | 960.  |     |   |   |  |     |
|                  | 3               | 2   | $V_{OD}$ (mV)  |   |   |               |        |   |      |                             |    |      |   |   |                |   |   |   |     |   |   |  |     |
| 0                | 0               | 400.  |  |   |   |               |        |   |      |                             |    |      |   |   |                |   |   |   |     |   |   |  |     |
| 0                | 1               | 600.  |  |   |   |               |        |   |      |                             |    |      |   |   |                |   |   |   |     |   |   |  |     |
| 1                | 0               | 780 (default).  |  |   |   |               |        |   |      |                             |    |      |   |   |                |   |   |   |     |   |   |  |     |
| 1                | 1               | 960.  |  |   |   |               |        |   |      |                             |    |      |   |   |                |   |   |   |     |   |   |  |     |
| [1:0]            | OUT5 power-down | LVPECL power-down modes.  | <table border="1"> <thead> <tr> <th>1</th> <th>0</th> <th>Mode</th> <th>Output</th> </tr> </thead> <tbody> <tr> <td>0</td> <td>0</td> <td>Normal operation.</td> <td>On</td> </tr> <tr> <td>0</td> <td>1</td> <td>Partial power-down, reference on; use only if there are no external load resistors.</td> <td>Off</td> </tr> <tr> <td>1</td> <td>0</td> <td>Partial power-down, reference on, safe LVPECL power-down (default).</td> <td>Off</td> </tr> <tr> <td>1</td> <td>1</td> <td>Total power-down, reference off; use only if there are no external load resistors.</td> <td>Off</td> </tr> </tbody> </table> | 1 | 0 | Mode          | Output | 0 | 0    | Normal operation.           | On | 0    | 1 | Partial power-down, reference on; use only if there are no external load resistors. | Off            | 1 | 0 | Partial power-down, reference on, safe LVPECL power-down (default). | Off | 1 | 1 | Total power-down, reference off; use only if there are no external load resistors. | Off |
| 1                | 0               | Mode  | Output   |   |   |               |        |   |      |                             |    |      |   |   |                |   |   |   |     |   |   |  |     |
| 0                | 0               | Normal operation.   | On   |   |   |               |        |   |      |                             |    |      |   |   |                |   |   |   |     |   |   |  |     |
| 0                | 1               | Partial power-down, reference on; use only if there are no external load resistors. | Off  |   |   |               |        |   |      |                             |    |      |   |   |                |   |   |   |     |   |   |  |     |
| 1                | 0               | Partial power-down, reference on, safe LVPECL power-down (default).                 | Off  |   |   |               |        |   |      |                             |    |      |   |   |                |   |   |   |     |   |   |  |     |
| 1                | 1               | Total power-down, reference off; use only if there are no external load resistors.  | Off  |   |   |               |        |   |      |                             |    |      |   |   |                |   |   |   |     |   |   |  |     |



Table 46. LVPECL Channel Dividers

| Reg. Addr. (Hex) | Bits  | Name                   | Description   |
|------------------|-------|------------------------|---|
| 0x190            | [7:4] | Divider 0 low cycles   | Number of clock cycles (minus 1) of the divider input during which divider output stays low. A value of 0x0 means that the divider is low for one input clock cycle (default = 0x0).  |
|                  | [3:0] | Divider 0 high cycles  | Number of clock cycles (minus 1) of the divider input during which divider output stays high. A value of 0x0 means that the divider is high for one input clock cycle (default = 0x0).  |
| 0x191            | 7     | Divider 0 bypass       | Bypasses and powers down the divider; routes input to divider output.<br>0: uses divider.<br>1: bypasses divider (default).   |
|                  | 6     | Divider 0 nosync       | No sync.<br>0: obeys chip-level SYNC signal (default).<br>1: ignores chip-level SYNC signal.  |
|                  | 5     | Divider 0 force high   | Forces divider output to high. This requires that the Divider 0 nosync bit (Bit 6) also be set. This bit has no effect if the Divider 0 bypass bit (Bit 7) is set.<br>0: divider output forced to low (default).<br>1: divider output forced to high. |
|                  | 4     | Divider 0 start high   | Selects clock output to start high or start low.<br>0: starts low (default).<br>1: starts high.   |
|                  | [3:0] | Divider 0 phase offset | Phase offset (default = 0x0).   |
|                  | 0x192 | 1                      | Divider 0 direct to output  |
| 0                |       | Divider 0 DCCOFF       | Duty-cycle correction function.<br>0: enables duty-cycle correction (default).<br>1: disables duty-cycle correction.  |
| 0x193            | [7:4] | Divider 1 low cycles   | Number of clock cycles (minus 1) of the divider input during which divider output stays low. A value of 0x0 means that the divider is low for one input clock cycle (default = 0xB).  |
|                  | [3:0] | Divider 1 high cycles  | Number of clock cycles (minus 1) of the divider input during which divider output stays high. A value of 0x0 means that the divider is high for one input clock cycle (default = 0xB).  |
| 0x194            | 7     | Divider 1 bypass       | Bypasses and powers down the divider; routes input to divider output.<br>0: uses divider (default).<br>1: bypasses divider.   |
|                  | 6     | Divider 1 nosync       | No sync.<br>0: obeys chip-level SYNC signal (default).<br>1: ignores chip-level SYNC signal.  |
|                  | 5     | Divider 1 force high   | Forces divider output to high. This requires that the Divider 1 nosync bit (Bit 6) also be set. This bit has no effect if the Divider 1 bypass bit (Bit 7) is set.<br>0: divider output forced to low (default).<br>1: divider output forced to high. |
|                  | 4     | Divider 1 start high   | Selects clock output to start high or start low.<br>0: starts low (default).<br>1: starts high.   |
|                  | [3:0] | Divider 1 phase offset | Phase offset (default = 0x0).   |

| Reg. Addr. (Hex) | Bits  | Name                       | Description  |
|------------------|-------|----------------------------|--|
| 0x195            | 1     | Divider 1 direct to output | Connects OUT2 and OUT3 to Divider 1 or directly to VCO or CLK.<br>0: OUT2 and OUT3 are connected to Divider 1 (default).<br>1: If Register 0x1E1[1:0] = 10b, the VCO is routed directly to OUT2 and OUT3.<br>If Register 0x1E1[1:0] = 00b, the CLK is routed directly to OUT2 and OUT3.<br>If Register 0x1E1[1:0] = 01b, there is no effect. |
|                  | 0     | Divider 1 DCCOFF           | Duty-cycle correction function.<br>0: enables duty-cycle correction (default).<br>1: disables duty-cycle correction.   |
| 0x196            | [7:4] | Divider 2 low cycles       | Number of clock cycles (minus 1) of the divider input during which divider output stays low. A value of 0x0 means that the divider is low for one input clock cycle (default = 0x0).   |
|                  | [3:0] | Divider 2 high cycles      | Number of clock cycles (minus 1) of the divider input during which divider output stays high. A value of 0x0 means that the divider is high for one input clock cycle (default = 0x0).   |
| 0x197            | 7     | Divider 2 bypass           | Bypasses and powers down the divider; route input to divider output.<br>0: uses divider (default).<br>1: bypasses divider.   |
|                  | 6     | Divider 2 nosync           | No sync.<br>0: obeys chip-level SYNC signal (default).<br>1: ignores chip-level SYNC signal.   |
|                  | 5     | Divider 2 force high       | Forces divider output to high. This requires that the Divider 2 nosync bit (Bit 6) also be set. This bit has no effect if the Divider 2 bypass bit (Bit 7) is set.<br>0: divider output forced to low (default).<br>1: divider output forced to high.  |
|                  | 4     | Divider 2 start high       | Select clock output to start high or start low.<br>0: starts low (default).<br>1: starts high.   |
|                  | [3:0] | Divider 2 phase offset     | Phase offset (default = 0x0).  |
|                  | 0x198 | 1                          | Divider 2 direct to output   |
| 0                |       | Divider 2 DCCOFF           | Duty-cycle correction function.<br>0: enables duty-cycle correction (default).<br>1: disables duty-cycle correction.   |

Table 47. VCO Divider and CLK Input

| Reg. Addr. (Hex) | Bits  | Name        | Description |   |   |  |
|------------------|-------|-------------|-------------|---|---|--|
|                  |       |             | 2           | 1 | 0 | Divide   |
| 0x1E0            | [2:0] | VCO divider | 0           | 0 | 0 | 2.   |
|                  |       |             | 0           | 0 | 1 | 3.   |
|                  |       |             | 0           | 1 | 0 | 4 (default).   |
|                  |       |             | 0           | 1 | 1 | 5.   |
|                  |       |             | 1           | 0 | 0 | 6.   |
|                  |       |             | 1           | 0 | 1 | Output static. Note that setting the VCO divider static should occur only after VCO calibration. |
|                  |       |             | 1           | 1 | 0 | Output static. Note that setting the VCO divider static should occur only after VCO calibration. |
|                  |       |             | 1           | 1 | 1 | Output static. Note that setting the VCO divider static should occur only after VCO calibration. |

| Reg. Addr. (Hex) | Bits | Name                           | Description  |
|------------------|------|--------------------------------|--|
| 0x1E1            | 4    | Power down clock input section | Powers down the clock input section (including CLK buffer, VCO divider, and CLK tree).<br>0: normal operation (default).<br>1: power-down.   |
|                  | 3    | Power down VCO clock interface | Powers down the interface block between VCO and clock distribution.<br>0: normal operation (default).<br>1: power-down.  |
|                  | 2    | Power down VCO and CLK         | Powers down both VCO and CLK input.<br>0: normal operation (default).<br>1: power-down.  |
|                  | 1    | Select VCO or CLK              | Selects either the VCO or the CLK as the input to VCO divider.<br>0: selects external CLK as input to VCO divider (default).<br>1: selects VCO as input to VCO divider; cannot bypass VCO divider when this is selected. |
|                  | 0    | Bypass VCO divider             | Bypasses or uses the VCO divider.<br>0: uses VCO divider (default).<br>1: bypasses VCO divider; cannot select VCO as input when this is selected.  |

Table 48. System

| Reg. Addr. (Hex) | Bits | Name                              | Description  |
|------------------|------|-----------------------------------|--|
| 0x230            | 2    | Power down SYNC                   | Powers down the sync function.<br>0: normal operation of the sync function (default).<br>1: powers down sync circuitry.  |
|                  | 1    | Power down distribution reference | Powers down the reference for distribution section.<br>0: normal operation of the reference for the distribution section (default).<br>1: powers down the reference for the distribution section.  |
|                  | 0    | Soft sync                         | The soft sync bit works the same as the $\overline{\text{SYNC}}$ pin, except that the polarity of the bit is reversed. That is, a high level forces selected channels into a predetermined static state, and a 1-to-0 transition triggers a sync.<br>0: same as $\overline{\text{SYNC}}$ high (default).<br>1: same as $\overline{\text{SYNC}}$ low. |

Table 49. Update All Registers

| Reg. Addr. (Hex) | Bits | Name                 | Description   |
|------------------|------|----------------------|---|
| 0x232            | 0    | Update all registers | This bit must be set to 1b to transfer the contents of the buffer registers into the active registers. This bit is self-clearing; that is, it does not have to be set back to 0b.<br>1 (self-clearing): updates all active registers to the contents of the buffer registers. |

## APPLICATIONS INFORMATION

### FREQUENCY PLANNING USING THE AD9518

The AD9518 is a highly flexible PLL. When choosing the PLL settings and version of the AD9518, keep in mind the following guidelines.

The AD9518 has the following four frequency dividers: the reference (or R) divider, the feedback (or N) divider, the VCO divider, and the channel divider. When trying to achieve a particularly difficult frequency divide ratio requiring a large amount of frequency division, some of the frequency division can be done by either the VCO divider or the channel divider, thus allowing a higher phase detector frequency and more flexibility in choosing the loop bandwidth.

Within the AD9518 family, lower VCO frequencies generally result in slightly lower jitter. The difference in integrated jitter (from 12 kHz to 20 MHz offset) for the same output frequency is usually less than 150 fs over the entire VCO frequency range (1.45 GHz to 2.95 GHz) of the AD9518 family. If the desired frequency plan can be achieved with a version of the AD9518 that has a lower VCO frequency, choosing the lower frequency part results in the lowest phase noise and the lowest jitter. However, choosing a higher VCO frequency may result in more flexibility in frequency planning.

Choosing a nominal charge pump current in the middle of the allowable range as a starting point allows the designer to increase or decrease the charge pump current and, thus, allows the designer to fine-tune the PLL loop bandwidth in either direction.

ADIsimCLK is a powerful PLL modeling tool that can be downloaded from [www.analog.com](http://www.analog.com). It is a very accurate tool for determining the optimal loop filter for a given application.

### USING THE AD9518 OUTPUTS FOR ADC CLOCK APPLICATIONS

Any high speed ADC is extremely sensitive to the quality of its sampling clock. An ADC can be thought of as a sampling mixer, and any noise, distortion, or timing jitter on the clock is combined with the desired signal at the analog-to-digital output. Clock integrity requirements scale with the analog input frequency and resolution, with higher analog input frequency applications at  $\geq 14$ -bit resolution being the most stringent. The theoretical SNR of an ADC is limited by the ADC resolution and the jitter on the sampling clock.

Considering an ideal ADC of infinite resolution where the step size and quantization error can be ignored, the available SNR can be expressed approximately by

$$SNR(dB) = 20 \times \log \left( \frac{1}{2\pi f_A t_J} \right)$$

where:

$f_A$  is the highest analog frequency being digitized.

$t_J$  is the rms jitter on the sampling clock.

Figure 52 shows the required sampling clock jitter as a function of the analog frequency and effective number of bits (ENOB).

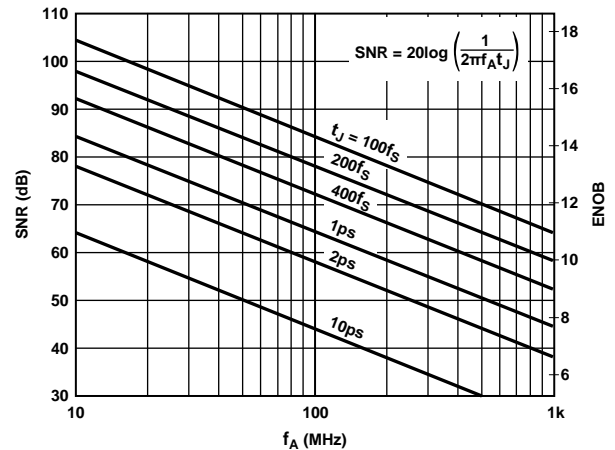


Figure 52. SNR and ENOB vs. Analog Input Frequency

For more information, see the AN-756 Application Note, *Sampled Systems and the Effects of Clock Phase Noise and Jitter*; and the AN-501 Application Note, *Aperture Uncertainty and ADC System Performance*, at [www.analog.com](http://www.analog.com).

Many high performance ADCs feature differential clock inputs to simplify the task of providing the required low jitter clock on a noisy PCB. (Distributing a single-ended clock on a noisy PCB may result in coupled noise on the sample clock. Differential distribution has inherent common-mode rejection that can provide superior clock performance in a noisy environment.) The AD9518 features LVPECL outputs that provide differential clock outputs, which enable clock solutions that maximize converter SNR performance. The input requirements of the ADC (differential or single-ended, logic level, termination) should be considered when selecting the best clocking/converter solution.

**LVPECL CLOCK DISTRIBUTION**

The LVPECL outputs (because they are open emitter) require a dc termination to bias the output transistors. The simplified equivalent circuit in Figure 43 shows the LVPECL output stage.

In most applications, an LVPECL far-end Thevenin termination (see Figure 53) or Y-termination (see Figure 54) is recommended. In each case, the  $V_S$  of the receiving buffer should match the  $V_{S\_LVPECL}$  voltage. If it does not, ac coupling is recommended (see Figure 55). In the case of Figure 55, pull-down resistors of  $<150\ \Omega$  are not recommended when  $V_{S\_LVPECL} = 3.3\text{ V}$ ; if used, damage to the LVPECL drivers may result. The minimum recommended pull-down resistor size for  $V_{S\_LVPECL} = 2.5\text{ V}$  is  $100\ \Omega$ .

The resistor network is designed to match the transmission line impedance ( $50\ \Omega$ ) and the switching threshold ( $V_S - 1.3\text{ V}$ ).

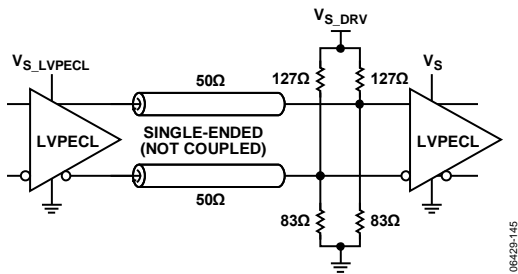


Figure 53. DC-Coupled 3.3 V LVPECL Far-End Thevenin Termination

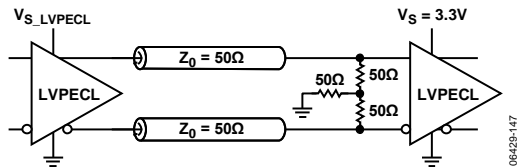


Figure 54. DC-Coupled 3.3 V LVPECL Y-Termination

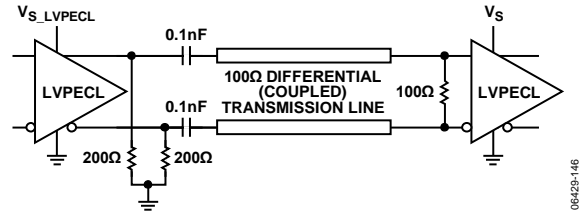


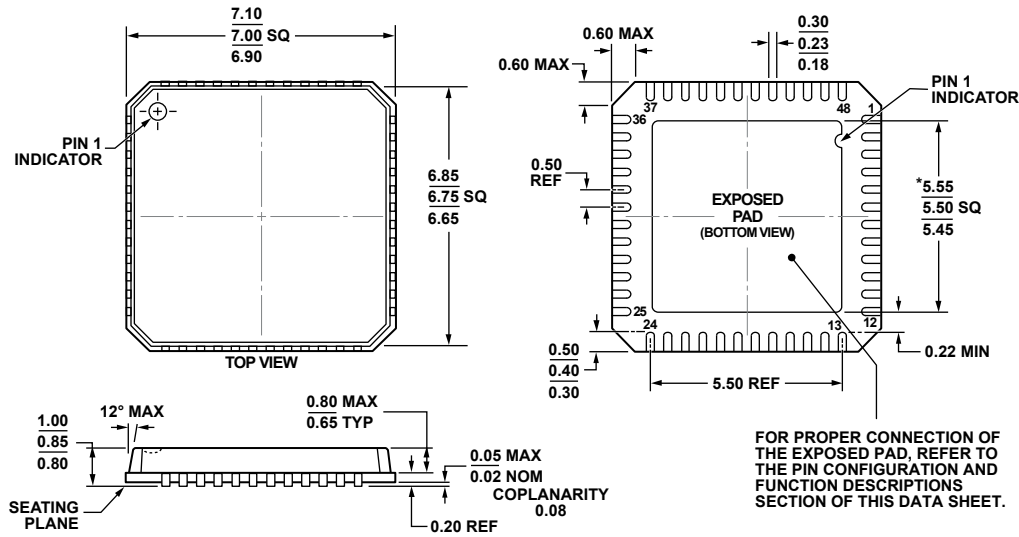
Figure 55. AC-Coupled LVPECL with Parallel Transmission Line

LVPECL Y-termination is an elegant termination scheme that uses the fewest components and offers both odd- and even-mode impedance matching. Even-mode impedance matching is an important consideration for closely coupled transmission lines at high frequencies. Its main drawback is that it offers limited flexibility for varying the drive strength of the emitter-follower LVPECL driver. This can be an important consideration when driving long trace lengths but is usually not an issue. In the case shown in Figure 54, where  $V_{S\_LVPECL} = 2.5\text{ V}$ , the  $50\ \Omega$  termination resistor that is connected to ground should be changed to  $19\ \Omega$ .

Thevenin-equivalent termination uses a resistor network to provide  $50\ \Omega$  termination to a dc voltage that is below  $V_{OL}$  of the LVPECL driver. In this case,  $V_{S\_LVPECL}$  on the AD9518 should equal  $V_S$  of the receiving buffer. Although the resistor combination shown in Figure 54 results in a dc bias point of  $V_{S\_LVPECL} - 2\text{ V}$ , the actual common-mode voltage is  $V_{S\_LVPECL} - 1.3\text{ V}$  because there is additional current flowing from the AD9518 LVPECL driver through the pull-down resistor.

The circuit is identical when  $V_{S\_LVPECL} = 2.5\text{ V}$ , except that the pull-down resistor is  $62.5\ \Omega$  and the pull-up resistor is  $250\ \Omega$ .

# OUTLINE DIMENSIONS



\*COMPLIANT TO JEDEC STANDARDS MO-220-VKGD-2 WITH EXCEPTION TO EXPOSED PAD DIMENSION.

Figure 56. 48-Lead Lead Frame Chip Scale Package [LFCSP\_VQ]  
 7 mm × 7 mm Body, Very Thin Quad  
 (CP-48-8)  
 Dimensions shown in millimeters

02-23-2010-C

## ORDERING GUIDE

| Model <sup>1</sup> | Temperature Range | Package Description                              | Package Option |
|--------------------|-------------------|--|----------------|
| AD9518-0ABCPZ      | -40°C to +85°C    | 48-Lead Lead Frame Chip Scale Package (LFCSP_VQ) | CP-48-8        |
| AD9518-0ABCPZ-RL7  | -40°C to +85°C    | 48-Lead Lead Frame Chip Scale Package (LFCSP_VQ) | CP-48-8        |
| AD9518-0A/PCBZ     |                   | Evaluation Board                                 |                |

<sup>1</sup> Z = RoHS Compliant Part.

**NOTES**

**NOTES**



**NOTES**