



December 1990

## ADC0882 8-Bit 20 MSPS Flash A/D Converter

### General Description

The ADC0882 is a monolithic flash Analog to Digital converter capable of converting a video signal into a stream of 8-bit digital words at 20 MegaSamples Per Second (MSPS). The device is pin for pin compatible with TDC1048 but uses half the power. Since ADC0882 is a flash converter, a sample-and-hold circuit is not required.

The ADC0882 consists of 255 clocked latching comparators, precision resistive divider, encoding logic, and an output register. A single convert clock controls the conversion operation. The unit can be configured to give either true or inverted outputs, in binary or offset two's complement coding. All digital I/O is TTL compatible.

### Applications

- Video Digitizing
- Medical Imaging
- High Energy Physics
- Digital Television
- Radar
- High Speed Data Links

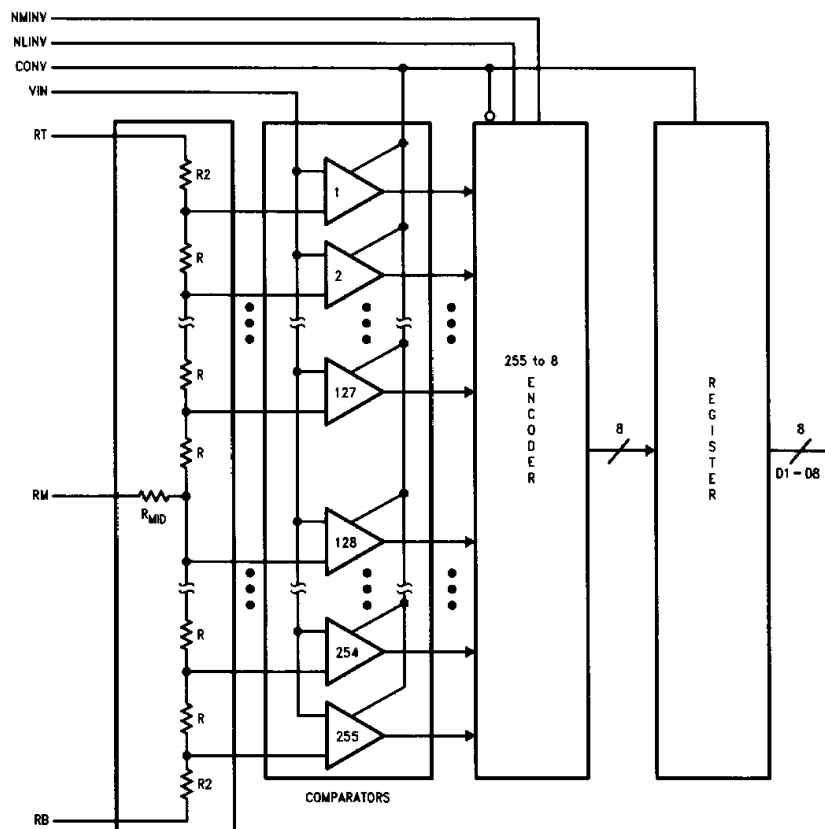
### Key Specifications

|                                  |                         |
|----------------------------------|-------------------------|
| ■ Resolution                     | 8 bits                  |
| ■ Conversion rate                | DC to 20 MSPS (min)     |
| ■ Full power bandwidth           | 7 MHz (min)             |
| ■ Small signal bandwidth (-3 dB) | 30 MHz (min)            |
| ■ Linearity error                | $\pm 1/2$ LSB (max)     |
| ■ Analog input range             | 0V to -2V               |
| ■ Differential gain              | 0.7%                    |
| ■ Differential phase             | 0.3°                    |
| ■ Power dissipation              | 700 mW                  |
| ■ Power supply                   | $\pm 5V$ or $+5V/-5.2V$ |

### Features

- Drop-in replacement for TDC1038 and TDC1048
- Pin for pin compatible with ADC304, CXA1096P and CXA1296P
- No Sample-and-Hold circuit required
- Selectable data format
- Available in plastic DIP, Cerdip and PLCC

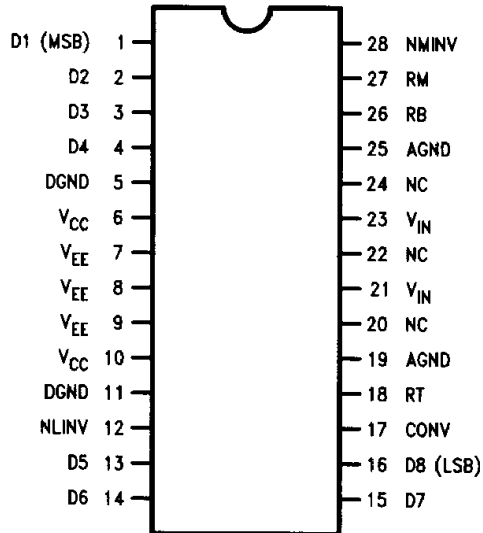
### Block Diagram



TL/H/11083-1

**ADC0882 8-Bit 20 MSPS Flash A/D Converter**

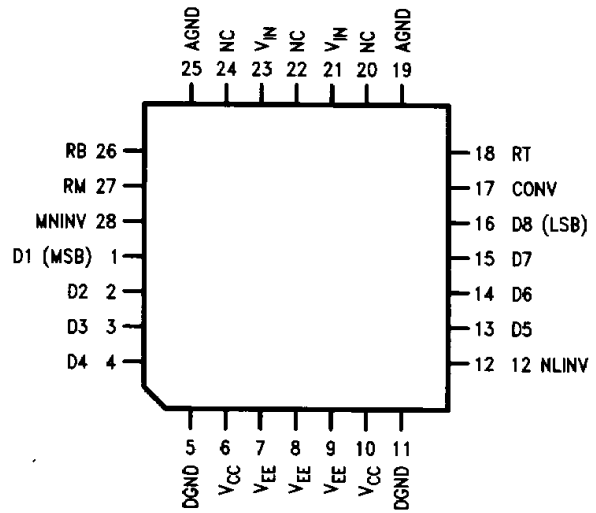
## Connection Diagrams



**28-Lead CERDIP  
J Package**

**28-Lead Plastic DIP  
N Package**

TL/H/11083-2



**28-Lead Plastic Chip Carrier  
V Package**

TL/H/11083-3

## Ordering Information

| Commercial<br>(0°C ≤ T <sub>A</sub> ≤ 70°C) | Package                               |
|---|---------------------------------------|
| ADC0882CCN/TDC1038N6C                       | N28B, 28-Pin Plastic                  |
| ADC0882CCJ/TDC1038B6C                       | J28A, 28-Pin CERDIP                   |
| ADC0882CCV/TDC1038R3C                       | V28A, 28-Lead Plastic<br>Chip Carrier |

## Absolute Maximum Ratings (Notes 1 & 2)

If Military/Aerospace specified devices are required, please contact the National Semiconductor Sales Office/Distributors for availability and specifications.

|  |                              |
|--|------------------------------|
| Supply Voltage ( $V_{CC}$ )  | -0.5V to +7.0V               |
| Negative Supply Voltage ( $V_{EE}$ )                                 | +0.5V to -7.0V               |
| Voltage at Logic Control Input and Outputs (Note 3)                  | -0.5V to ( $V_{CC} + 0.5V$ ) |
| Voltage at Analog Inputs ( $V_{IN}$ , $V_{RT}$ , $V_{RB}$ ) (Note 3) | $V_{EE}$ to +0.5V            |
| $V_{RT}-V_{RB}$  | $\pm 2.2V$                   |
| Input Current at Logic Control Inputs (Note 4)                       | $\pm 50$ mA                  |
| Applied Current at Digital Outputs (Note 4)                          | $\pm 20$ mA                  |
| Input Current at Analog Inputs (Note 4)                              | $\pm 100$ mA                 |
| Power Dissipation at $T_A = 25^\circ C$                              | See Note 5                   |

|   |                 |
|---|-----------------|
| Storage Temperature Range                   | -65°C to +150°C |
| ESD Rating                                  | 500V            |
| Soldering Temperature All Packages (10 sec) | 300°C           |

## Operating Ratings (Notes 1 & 2)

|   |                                       |
|---|---------------------------------------|
| Temperature Range                                 | $T_{MIN} \leq T_A \leq T_{MAX}$       |
| ADC0882CCJ/TDC1038B6C                             | $0^\circ C \leq T_A \leq +70^\circ C$ |
| ADC0882CCN/TDC1038N6C                             | $0^\circ C \leq T_A \leq +70^\circ C$ |
| ADC0882CCV/TDC1038R3C                             | $0^\circ C \leq T_A \leq +70^\circ C$ |
| $V_{CC}$ Voltage                                  | 4.75V to 5.25V                        |
| $V_{EE}$ Voltage                                  | -4.75V to -5.5V                       |
| $V_{RT}$ Most Positive Reference Voltage (Note 6) | -0.1V to 0.1V                         |
| $V_{RB}$ Most Negative Reference Voltage (Note 6) | -1.9V to -2.1V                        |
| $V_{RT} - V_{RB}$                                 | 1.8V to 2.2V                          |
| Analog Input Voltage ( $V_{IN}$ )                 | $V_{RT}$ to $V_{RB}$                  |
| $t_{PWL} \geq 19$ ns, $t_{PWH} \geq 27$ ns        |                                       |

## Converter Electrical Characteristics

The following specifications apply for  $V_{CC} = +5.25V$ ,  $V_{EE} = -5.5V$ ,  $V_{RB} = -2.0V$ ,  $V_{AGND} = V_{DGND} = V_{RT} = GND$ ,  $t_{PWL} = 19$  ns and  $t_{PWH} = 27$  ns unless otherwise specified. **Boldface limits apply for  $T_A = T_{MIN}$  to  $T_{MAX}$** ; all other limits  $T_A = 25^\circ C$ .

| Symbol                        | Parameter                                     | Conditions        | Typical (Note 7) | Limit  | Units (Limit)                  |
|-------------------------------|---|-------------------|------------------|--|--------------------------------|
| <b>STATIC CHARACTERISTICS</b> |   |                   |                  |  |                                |
|                               | Resolution                                    |                   |                  | <b>8</b>   | Bits (Min)                     |
|                               | Integral Linearity Error                      |                   |                  | <b>0.2</b>   | %FS(Max)                       |
|                               | Differential Linearity Error                  |                   |                  | <b>0.2</b>   | %FS(Max)                       |
|                               | Code Size (Digital Output Step Size) (Note 8) |                   | 100              | <b>25</b><br><b>175</b>                                  | %LSB<br>%LSB(Min)<br>%LSB(Max) |
|                               | Offset Error, Top                             | $V_{IN} = V_{RT}$ |                  | <b>+15</b>   | mV(Max)                        |
|                               | Offset Error, Bottom                          | $V_{IN} = V_{RB}$ |                  | <b>-15</b>   | mV(Max)                        |
|                               | Offset Error Temperature Coefficient          |                   |                  | <b><math>\pm 20</math></b>                               | $\mu V/^\circ C$ (Max)         |
| $I_{REF}$                     | Reference Current                             |                   |                  | <b>30</b>  | mA(Max)                        |
| $R_{REF}$                     | Total Reference Resistance                    |                   |                  | <b>67</b>  | $\Omega$ (Min)                 |
| $V_{IN}$                      | Analog Input Voltage Range                    |                   |                  | <b><math>V_{RB}</math></b><br><b><math>V_{RT}</math></b> | V(Min)<br>V(Max)               |
| $I_{IN}$                      | Analog Input Constant Bias Current            |                   |                  | <b>250</b>   | $\mu A$ (Max)                  |
| $R_{IN}$                      | Analog Input Equivalent Resistance            | $V_{IN} = V_{RB}$ |                  | <b>80</b>  | k $\Omega$ (Min)               |
| $C_{IN}$                      | Analog Input Capacitance                      | $V_{IN} = V_{RB}$ |                  | <b>50</b>  | pF (Max)                       |

## Converter Electrical Characteristics (Continued)

The following specifications apply for  $V_{CC} = +5.25V$ ,  $V_{EE} = -5.5V$ ,  $V_{RB} = -2.0V$ ,  $V_{AGND} = V_{DGND} = V_{RT} = GND$ ,  $t_{PWL} = 19$  ns and  $t_{PWH} = 27$  ns unless otherwise specified. **Boldface limits apply for  $T_A = T_{MIN}$  to  $T_{MAX}$** ; all other limits  $T_A = 25^\circ C$ .

| Symbol                         | Parameter  | Conditions  | Typical (Note 7)     | Limit      | Units (Limit)           |
|--------------------------------|--|---|----------------------|------------|-------------------------|
| <b>DYNAMIC CHARACTERISTICS</b> |  |   |                      |            |                         |
| S/(N+D)                        | Signal-to-Noise + Distortion Ratio<br>Peak-Peak Signal/RMS Noise | $V_{IN} = 2.0 V_{p-p}$ ,<br>10 MHz BW                 | $f_{IN} = 1.248$ MHz |            | <b>54</b> dB(Min)       |
|                                |  |   | $f_{IN} = 2.438$ MHz |            | <b>53</b> dB(Min)       |
| S/(N+D)                        | Signal-to-Noise + Distortion Ratio<br>RMS Signal/RMS Noise       | $V_{IN} = 2.0 V_{p-p}$ ,<br>10 MHz BW                 | $f_{IN} = 1.248$ MHz |            | <b>45</b> dB(Min)       |
|                                |  |   | $f_{IN} = 2.438$ MHz |            | <b>44</b> dB(Min)       |
|                                | Full Power Bandwidth   | $V_{IN} = 2.0 V_{p-p}$ , No Spurious or Missing Codes |                      | <b>7</b>   | MHz(Min)                |
|                                | -3 dB Small Signal Bandwidth                                     | $V_{IN} = -20$ dB, FS = $0.2 V_{p-p}$                 |                      | <b>30</b>  | MHz(Min)                |
|                                | Full Scale Transient Response                                    |   |                      | <b>40</b>  | ns(Min)                 |
| $t_{STO}$                      | Sampling Time Offset   |   |                      | -2         | ns(Min)                 |
|                                |  |   |                      | <b>10</b>  | ns(Max)                 |
|                                | Aperture Jitter  |   |                      | <b>60</b>  | ps <sub>rms</sub> (Max) |
|                                | Differential Phase Error   | $f_s = 4 \times NTSC$                                 | 0.3                  | <b>1.0</b> | Degree(Max)             |
|                                | Differential Gain Error  | $f_s = 4 \times NTSC$                                 | 0.7                  | <b>2.0</b> | %(Max)                  |

## DC Electrical Characteristics

The following specifications apply for  $V_{CC} = +5.25V$ ,  $V_{EE} = -5.5V$ ,  $V_{RB} = -2.0V$ ,  $V_{AGND} = V_{DGND} = V_{RT} = GND$ ,  $t_{PWL} = 19$  ns and  $t_{PWH} = 27$  ns unless otherwise specified. **Boldface limits apply for  $T_A = T_{MIN}$  to  $T_{MAX}$** ; all other limits  $T_A = 25^\circ C$ .

| Symbol       | Parameter                    | Conditions   | Typical (Note 7) | Limit                    | Units (Limit)                  |
|--------------|------------------------------|--|------------------|--------------------------|--------------------------------|
| $V_{IN(1)}$  | Logical "1" Input Voltage    |  |                  | <b>2.0</b>               | V(Min)                         |
| $V_{IN(0)}$  | Logical "0" Input Voltage    |  |                  | <b>0.8</b>               | V(Max)                         |
| $I_{IN(1)}$  | Logical "1" Input Current    | $V_{IN} = 2.4V$  |                  | <b>50</b><br><b>-200</b> | $\mu A$ (Max)<br>$\mu A$ (Min) |
|              |                              | $V_{IN} = V_{CC} = +5.25V$                               |                  | <b>1.0</b>               | mA(Max)                        |
| $I_{IN(0)}$  | Logical "0" Input Current    | $V_{IN} = 0.4V$  |                  | <b>-0.6</b>              | mA(Max)                        |
| $V_{OUT(1)}$ | Logical "1" Output Voltage   | $V_{CC} = 4.75V$ , $I_{OUT} = -400 \mu A$                |                  | <b>2.4</b>               | V(Min)                         |
| $V_{OUT(0)}$ | Logical "0" Output Voltage   | $V_{CC} = 4.75V$ , $I_{OUT} = 4.0$ mA                    |                  | <b>0.5</b>               | V(Max)                         |
|              | Short-Circuit Output Current | Output High, One Pin to Ground, One Second Duration Max. |                  | <b>-40</b>               | mA(Max)                        |
| $C_I$        | Digital Input Capacitance    | $f = 1$ MHz  |                  | 15                       | pF(Max)                        |
| $I_{CC}$     | $V_{CC}$ Supply Current      | (Note 9)   |                  | <b>45</b>                | mA(Max)                        |
| $I_{EE}$     | $V_{EE}$ Supply Current      | (Note 9)   |                  | <b>-165</b>              | mA(Max)                        |

## AC Electrical Characteristics

The following specifications apply for  $V_{CC} = +5.25V$ ,  $V_{EE} = -5.5V$ ,  $V_{RB} = -2.0V$ ,  $V_{AGND} = V_{DGND} = V_{RT} = GND$ ,  $t_{PWL} = 19$  ns and  $t_{PWH} = 27$  ns unless otherwise specified. **Boldface limits apply for  $T_A = T_{Min}$  to  $T_{Max}$** ; all other limits  $T_A = 25^\circ C$ .

| Symbol    | Parameter                        | Conditions                                 | Typical (Note 7) | Limit     | Units (Limit) |
|-----------|----------------------------------|--|------------------|-----------|---------------|
| $f_S$     | Maximum Conversion Rate          |  |                  | <b>20</b> | MSPS(Min)     |
| $t_{PWL}$ | Convert (CONV) Pulse Width, Low  |  |                  | <b>19</b> | ns(Min)       |
| $t_{PWH}$ | Convert (CONV) Pulse Width, High |  |                  | <b>27</b> | ns(Min)       |
| $t_D$     | Output Delay                     | $V_{CC} + 4.75V$ , Load 1, <i>Figure 4</i> |                  | <b>30</b> | ns(Max)       |
| $t_{HO}$  | Output Hold Time                 | Load 1, <i>Figure 4</i>                    |                  | <b>5</b>  | ns(Min)       |

**Note 1:** Absolute Maximum Ratings indicate limits beyond which damage to the device may occur. Operating Ratings indicate conditions for which the device is functional, but do not guarantee specific performance limits. For guaranteed specifications and test conditions, see the Electrical Characteristics. The guaranteed specifications apply only for the test conditions listed. Some performance characteristics may degrade when the device is not operated under the listed test conditions.

**Note 2:** All voltages are measured with respect to AGND and DGND, unless otherwise specified.

**Note 3:** Applied voltage must be current limited to the specified range.

**Note 4:** Forcing voltage must be limited to specified range.

**Note 5:** The maximum power dissipation must be derated at elevated temperatures and is dictated by  $T_{Jmax}$  (maximum junction temperature),  $\theta_{JA}$  (package junction to ambient thermal resistance),  $\theta_{JC}$  (package junction to case thermal resistance), and  $T_A$  (ambient temperature). The maximum allowable power dissipation at any temperature is  $P_{Dmax} = (T_{Jmax} - T_A)/\theta_{JA}$  or the number given in the Absolute Maximum Ratings, whichever is lower. For this device,  $T_{Jmax} = 175^\circ C$ , and the typical thermal resistances ( $\theta_{JA}$  and  $\theta_{JC}$ ) of the ADC0882 follow:

| Suffixes | Package Number | $\theta_{JA}$ °C/W | $\theta_{JC}$ °C/W |
|----------|----------------|--------------------|--------------------|
| CCJ      | J28A           | 50                 | 12                 |
| CCN      | N28A           | 45                 | 17                 |
| CCV      | V28A           | 65                 | 14                 |

**Note 6:**  $V_{RT}$  must be more positive than  $V_{RB}$ , and the voltage reference differential must be within the specified range.

**Note 7:** Typicals are at  $T_A = 25^\circ C$  and represent most likely parametric norm.

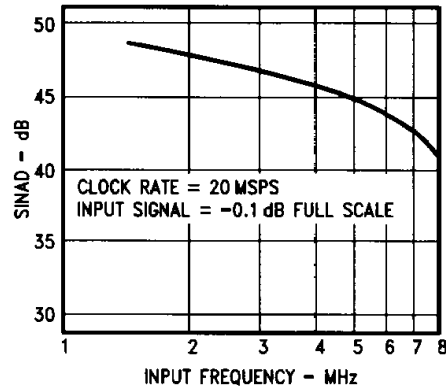
**Note 8:** Code size is the size of the individual codes, from code transition to code transition. It is often expressed as a percentage of the ideal code size. The ideal code size is given by: Input Voltage Range/ $2^N$ . Where N is the number of bits of resolution of the A/D converter.

**Note 9:** Worst case, all digital inputs and outputs LOW.

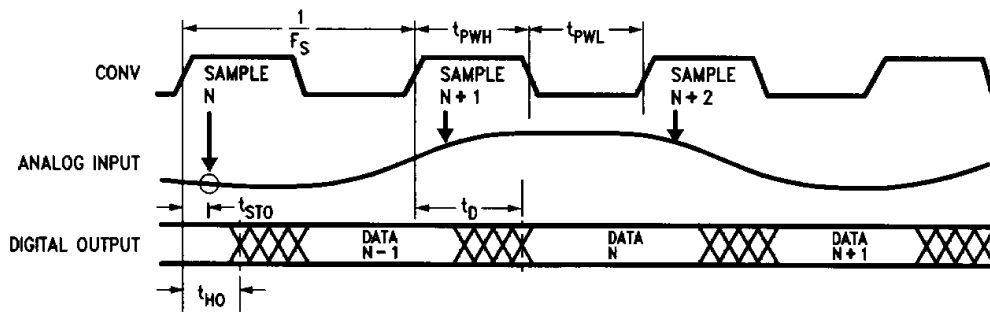
# Typical Performance Characteristics

( $T_A = 25^\circ\text{C}$ ,  $V_{CC} = +5\text{V}$ ,  $V_{EE} = -5\text{V}$ )

### Signal to Noise and Distortion Ratio vs Input Frequency



TL/H/11083-4



TL/H/11083-5

FIGURE 1. Timing Diagram

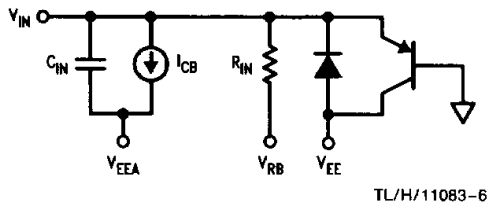
TABLE I. Output Coding Table

| Input Voltage | Binary                       |                            | Offset Two's Complement     |                             |
|---------------|------------------------------|----------------------------|-----------------------------|-----------------------------|
|               | True                         | Inverted                   | True                        | Inverted                    |
|               | NMINV = High<br>NLINV = High | NMINV = Low<br>NLINV = Low | NMINV = Low<br>NLINV = High | NMINV = High<br>NLINV = Low |
| 0.0000V       | 0000 0000                    | 1111 1111                  | 1000 0000                   | 0111 1111                   |
| -0.0078V      | 0000 0001                    | 1111 1110                  | 1000 0001                   | 0111 1110                   |
| •             | •                            | •                          | •                           | •                           |
| •             | •                            | •                          | •                           | •                           |
| •             | •                            | •                          | •                           | •                           |
| -0.9922V      | 0111 1111                    | 1000 0000                  | 1111 1111                   | 0000 0000                   |
| -1.0000V      | 1000 0000                    | 0111 1111                  | 0000 0000                   | 1111 1111                   |
| -1.0078V      | 1000 0001                    | 0111 1110                  | 0000 0001                   | 1111 1110                   |
| •             | •                            | •                          | •                           | •                           |
| •             | •                            | •                          | •                           | •                           |
| •             | •                            | •                          | •                           | •                           |
| -1.9844V      | 1111 1110                    | 0000 0001                  | 0111 1110                   | 1000 0001                   |
| -1.9922V      | 1111 1111                    | 0000 0000                  | 0111 1111                   | 1000 0000                   |

**Note 1:** NMINV and NLINV are to be considered DC controls, they may be tied to  $V_{CC}$  for a logic "1" or to ground for a logic "0".

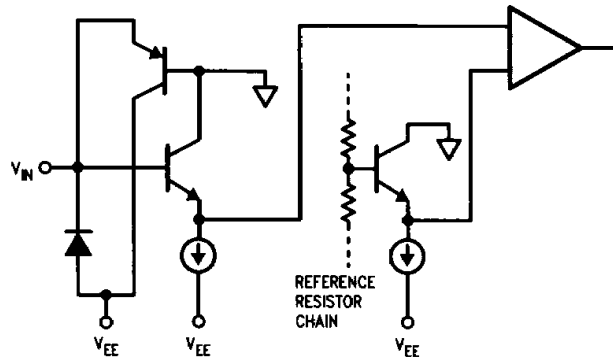
**Note 2:** Voltages are code midpoints.

## Simplified Input and Output Circuits



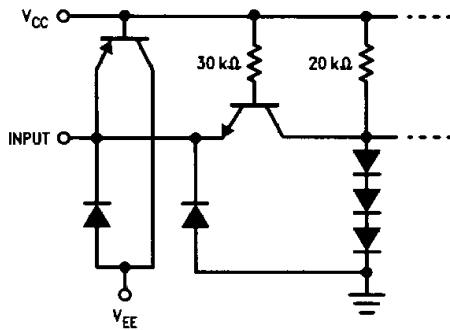
$C_{IN}$  is nonlinear junction capacitance  
 $V_{RB}$  is a voltage equal to the voltage on pin  $R_B$

TL/H/11083-6



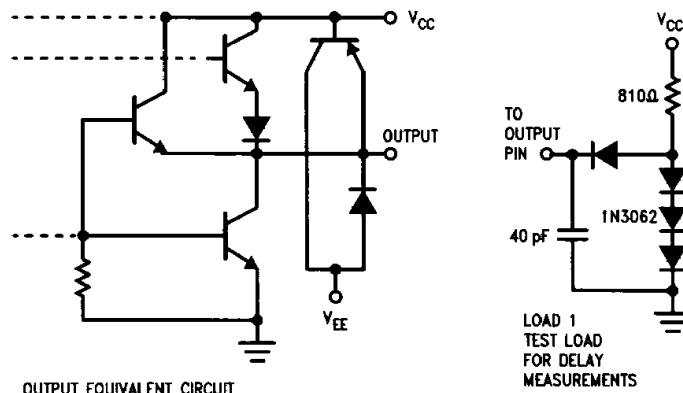
TL/H/11083-7

FIGURE 2. Simplified Analog Input Circuits



TL/H/11083-8

FIGURE 3. Simplified Digital Convert Input Circuit



TL/H/11083-9

FIGURE 4. Simplified Digital Output Circuit

## Pin Descriptions

- V<sub>CC</sub>(6, 10)** These are the positive digital power supply pins. Normally, +5 V<sub>DC</sub> should be applied and bypassed to digital ground with a 0.1 μF ceramic capacitor in parallel with a 10 μF tantalum capacitor.
- V<sub>EE</sub>(7, 8, 9)** These are the negative analog power supply pins. Normally, -5 V<sub>DC</sub> should be applied and bypassed to analog ground with a 0.1 μF capacitor in parallel with a 10 μF tantalum capacitor.
- AGND(19, 25)** These are the Analog ground pins.
- DGND(5, 11)** These are the Digital ground pins.
- RT(18)** This pin connects to the top of the reference resistor. Normally this pin is connected to AGND.
- RM(27)** This pin is connected to the middle of the reference resistor. A voltage may be applied to this pin to trim the converter's integral linearity (see Text).

- RB(26)** This pin is connected to the bottom of the reference resistor. Normally -2V is applied to this pin and should be bypassed to analog ground with a 0.1 μF ceramic capacitor in parallel with a 10 μF tantalum capacitor.
- V<sub>IN</sub>(21, 23)** These are the analog signal input pins. The input signal range is from 0V to -2V.
- CONV(17)** A TTL convert signal is applied to this pin. A conversion is initiated at the rising edge of the signal.
- NMINV(28)** This is the Not Most Significant Bit Invert pin. A TTL signal at this pin controls the format of the output data (see Table I).
- NLINV(12)** This is the Not Least Significant Bit Invert pin. A TTL signal at this pin controls the format of the output data (see Table I).
- D1-D8 (1, 2, 3, 4, 13, 14, 15, 16)** These are the output data pins. D1 outputs the MSB data while D8 outputs the LSB Data.
- NC(20, 22, 24)** No connection.

## Application Hints

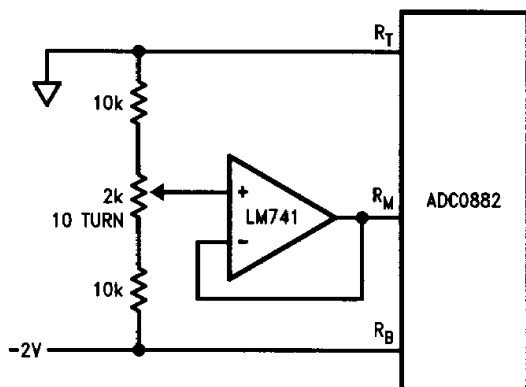
### OPERATION

The ADC0882 has three functional sections: a resistor/comparator array, encoding logic, and output registers. The comparator array compares the input signal with 255 reference voltages to produce an N-of-255 code (or thermometer code, since all the comparators whose reference is more negative than the input signal will be at logic "1" and all those whose reference is more positive will be at logic "0"). The encoding logic converts the N-of-255 code into the user's choice of coding. The output register holds the output constant between updates.

### REFERENCE

The ADC0882 converts analog signals in the range  $V_{RB} \leq V_{IN} \leq V_{RT}$  into digital form. The specifications of the ADC0882 are guaranteed with  $V_{RT}$  (the voltage applied to the top of the reference resistor chain) at  $0.0V \pm 0.1V$  and  $V_{RB}$  (the voltage applied to the bottom of the reference resistor chain) at  $-2.0V \pm 0.1V$ .

Linearity is guaranteed with no adjustment; however, a midpoint tap,  $R_M$ , allows trimming of converter integral linearity as well as the creation of a nonlinear transfer function. Note that ADC0882's integral nonlinearity is  $\pm 1/2$  LSB maximum. If the maximum nonlinearity occurs at midscale then the circuit of *Figure 5* will allow the user to null out the linearity error at midscale. This adjustment may improve the overall integral linearity of the converter to less than  $\pm 1/2$  LSB. The characteristic impedance seen at this node is approximately  $220\Omega$  and should be driven from a low-impedance source. Note that any load applied to this node will affect linearity, and any noise introduced at this point will degrade the overall quantization Signal-to-Noise Ratio (SNR). Due to the slight variation in the reference current with clock and input signals,  $R_T$  and  $R_B$  should be low-impedance-to-ground points. For circuits in which the reference is not varied, a bypass capacitor ( $0.01 \mu F$  to  $0.1 \mu F$ ) to ground is recommended. If the reference inputs are exercised dynamically (as in an automatic gain control circuit) a low impedance reference source is required. The reference voltages may be varied dynamically at up to 5 MHz; however, device performance is specified with fixed reference voltages as defined in the "Electrical Characteristics" tables.



TL/H/11083-10

FIGURE 5. Optional Midscale Linearity Adjust

### ANALOG INPUT AND SOURCE IMPEDANCE CONSIDERATIONS

For precise quantization, the ADC0882 uses latching comparators. For optimum overall system performance the source impedance of the driving circuit must be less than  $25\Omega$ . If the input signal is between the  $V_{RT}$  and  $V_{RB}$  references, the output will be a binary number from 0 to 255. When a signal outside the recommended input voltage range ( $0V$  to  $-2V$ ) is applied, the output will remain at either full-scale value. The input signal will not damage the ADC0882 if it remains within the range specified in the "Absolute Maximum Ratings" table. Both analog input pins ( $V_{IN}$ ) are connected together internally and therefore either one or both may be used.

### CONVERT

The ADC0882 requires an external convert (CONV) signal. Because the ADC0882 is a flash converter it does not require a track-and-hold circuit. A sample is taken (the outputs of the comparators are latched) within  $t_{STO}$  (Sampling Time Offset) after a rising edge on the CONV pin. The result is encoded and then transferred to the output registers on the next rising edge. The digital output for sample N becomes valid  $t_D$  after the rising edge of clock N + 1 and remains valid until  $t_{HO}$  after the rising edge of clock N + 2.

### OUTPUT FORMAT CONTROL

Two output format control pins, NMINV and NLINV, are provided. These controls are for DC (i.e., steady state) use. They permit the output coding to be either straight binary or offset two's complement, in either true or inverted sense, according to the "Output Coding Table". These active low pins may be tied to  $V_{CC}$  (through a  $4.7k$  resistor) for a logic 1 or DGND for a logic 0.

### OUTPUTS

The outputs of the ADC0882 are TTL compatible, capable of driving four low-power Schottky TTL ( $54/74$  LS) loads or the equivalent. The outputs hold the previous data for a minimum of  $t_{HO}$  after the rising edge of the convert signal.

### POWER SUPPLIES

The ADC0882 operates from two supply voltages:  $+5.0V$  and  $-5.0V$ . A  $-5.2V$  negative power supply may be used with a slight increase in power dissipation. The return path for  $I_{CC}$ , the current from the  $+5.0V$  supply, is DGND. The return path for  $I_{EE}$ , the current from the  $-5.0V$  supply, is AGND. All power and ground pins must be connected. Bypass  $V_{CC}$  with a  $0.1 \mu F$  ceramic capacitor in parallel with a  $10 \mu F$  tantalum capacitor to the digital ground. Also bypass  $V_{EE}$  with a  $0.1 \mu F$  ceramic capacitor in parallel with a  $10 \mu F$  tantalum capacitor to analog ground.

### TYPICAL INTERFACE CIRCUIT

A typical interface circuit (*Figure 6*) shows a wideband operational amplifier driving the A/D converter directly. Bipolar inputs to the op amp can be accommodated by adjusting

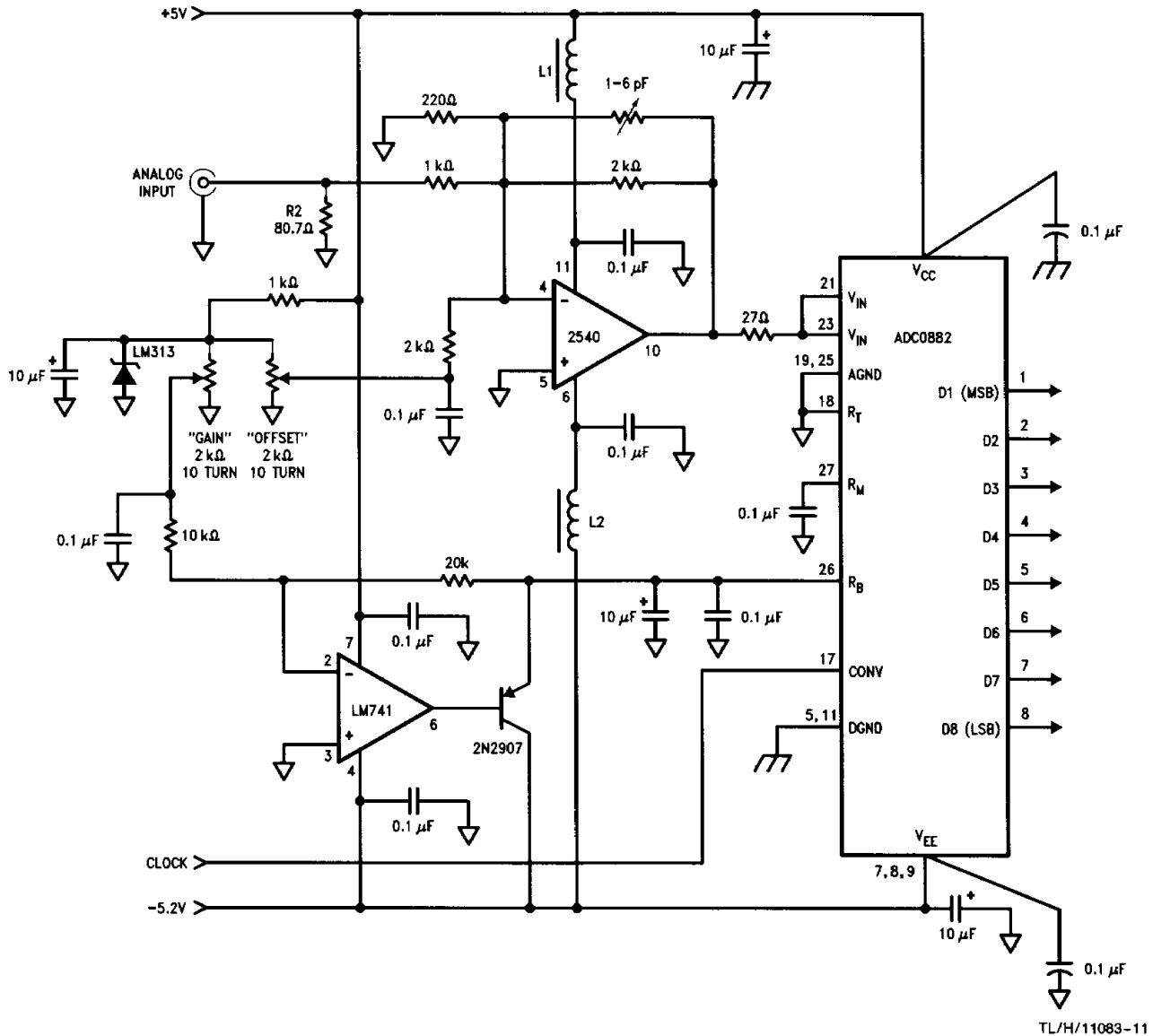


## Application Hints (Continued)

the offset control. A Zener diode provides a stable reference for the offset and gain controls. All  $V_{IN}$  pins are connected close to the device package and the input amplifier's feedback loop should be closed at that point. The buffer has an inverting gain of two, increasing a 1  $V_{p-p}$  video input signal to the recommended 2  $V_{p-p}$  input for the ADC0882. Proper decoupling is recommended for all systems.

A variable capacitor permits amplifier optimization for either step response or frequency response. This may be replaced with a fixed value capacitor as determined by evaluation of the final PC board layout.

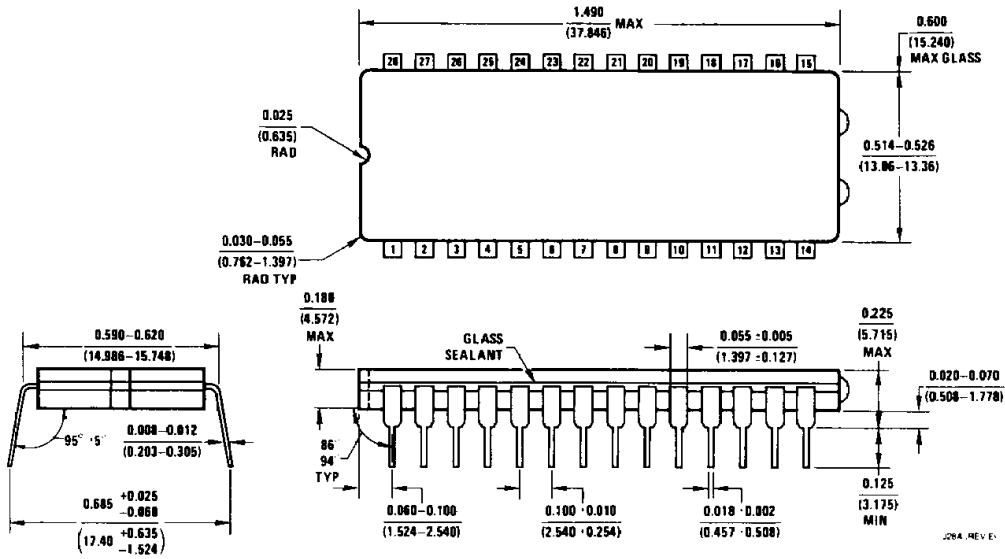
The bottom reference voltage ( $V_{RB}$ ) is supplied by an inverting amplifier, buffered with a PNP transistor. The transistor provides a low-impedance source and is necessary to sink the current flowing through the reference resistor chain.



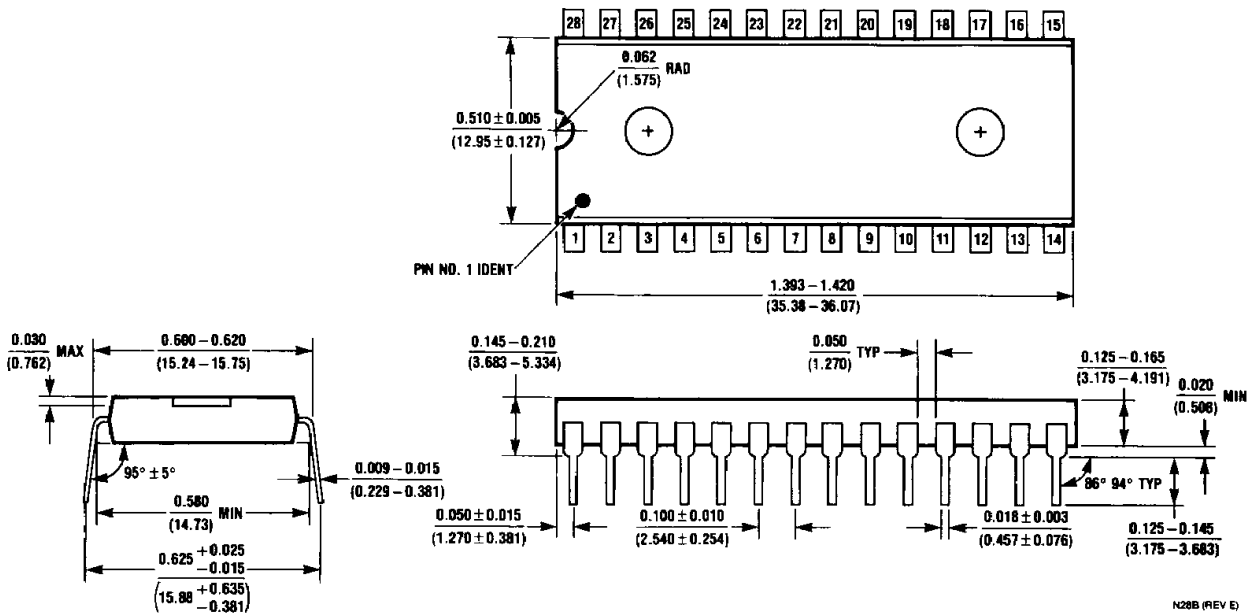
**Note 1:** L1, L2—Ferrite Bead, Fair—Rite #2743001112 or equivalent.

**FIGURE 6. Typical Interface Circuit**

**Physical Dimensions** inches (millimeters)

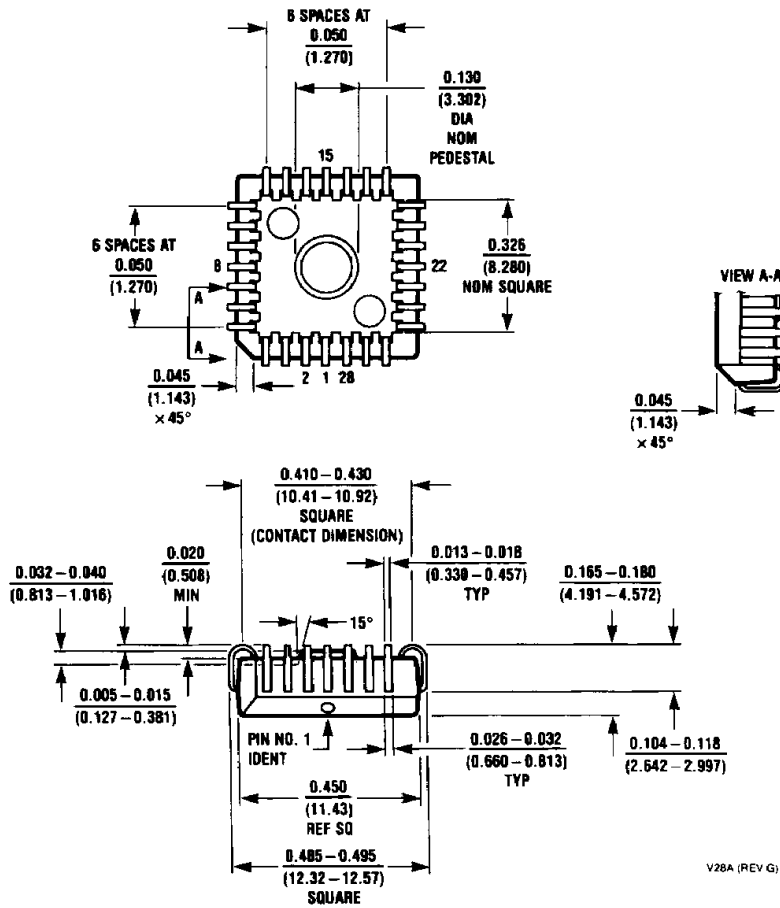


**28-Pin CERDIP**  
**ADC0882CCJ or TDC1038B6C**  
**NS Package Number J28A**



**28-Pin Plastic**  
**ADC0882CCN or TDC1038N6C**  
**NS Package Number N28A**

**Physical Dimensions** inches (millimeters)



**28-Lead Plastic Chip Carrier  
ADC0882CCV or TDC1038R3C  
NS Package Number V28A**

**LIFE SUPPORT POLICY**

NATIONAL'S PRODUCTS ARE NOT AUTHORIZED FOR USE AS CRITICAL COMPONENTS IN LIFE SUPPORT DEVICES OR SYSTEMS WITHOUT THE EXPRESS WRITTEN APPROVAL OF THE PRESIDENT OF NATIONAL SEMICONDUCTOR CORPORATION. As used herein:

1. Life support devices or systems are devices or systems which, (a) are intended for surgical implant into the body, or (b) support or sustain life, and whose failure to perform, when properly used in accordance with instructions for use provided in the labeling, can be reasonably expected to result in a significant injury to the user.
2. A critical component is any component of a life support device or system whose failure to perform can be reasonably expected to cause the failure of the life support device or system, or to affect its safety or effectiveness.



**National Semiconductor Corporation**  
2900 Semiconductor Drive  
P.O. Box 58090  
Santa Clara, CA 95052-8090  
Tel: 1(800) 272-9959  
TWX: (910) 339-9240

**National Semiconductor GmbH**  
Industriestrasse 10  
D-8080 Furstenfeldbruck  
West Germany  
Tel: (0-81-41) 103-0  
Telex: 527-649  
Fax: (08141) 103554

**National Semiconductor Japan Ltd.**  
Sanseido Bldg. 5F  
4-15 Nishi Shinjuku  
Shinjuku-Ku,  
Tokyo 160, Japan  
Tel: 3-299-7001  
FAX: 3-299-7000

**National Semiconductor Hong Kong Ltd.**  
Suite 513, 5th Floor  
Chinachem Golden Plaza,  
77 Mody Road, Tsimshatsui East,  
Kowloon, Hong Kong  
Tel: 3-7231290  
Telex: 52996 NSSEA HX  
Fax: 3-3112536

**National Semicondutores Do Brasil Ltda.**  
Av. Eng. Faria Lima, 1383  
6.0 Andor-Conj. 62  
01451 Sao Paulo, SP, Brasil  
Tel: (55/11) 212-5066  
Fax: (55/11) 211-1181 NSBR BR

**National Semiconductor (Australia) PTY, Ltd.**  
1st Floor, 441 St. Kilda Rd.  
Melbourne, 3004  
Victoria, Australia  
Tel: (03) 267-5000  
Fax: 61-3-2677458