

## 4.7 $\Omega$ $R_{ON}$ , Quad SPDT Switch with 1.2 V and 1.8 V JEDEC Logic Compliance

### FEATURES

- ▶ 4.7  $\Omega$  typical on resistance for  $\pm 5$  V dual supply at 25°C
- ▶ 1.2  $\Omega$  on-resistance flatness for  $\pm 5$  V dual supply at 25°C
- ▶ Fully specified at  $\pm 5$  V, +12 V, +5 V, and +3.3 V
  - ▶  $\pm 3.3$  V to  $\pm 8$  V dual-supply operation
  - ▶ 3.3 V to 16 V single-supply operation
- ▶  $V_L$  supply for low logic level compatibility
  - ▶ 1.8 V JEDEC standard compliant
  - ▶ 1.2 V JEDEC standard compliant
- ▶ Rail-to-rail operation
- ▶ 24-lead, 4 mm  $\times$  4 mm LFCSP

### APPLICATIONS

- ▶ Communication systems
- ▶ Medical systems
- ▶ Audio signal routing
- ▶ Video signal routing
- ▶ Automatic test equipment
- ▶ Data acquisition systems
- ▶ Battery-powered systems
- ▶ FPGA and microcontroller systems
- ▶ Sample-and-hold systems
- ▶ Relay replacements

### GENERAL DESCRIPTION

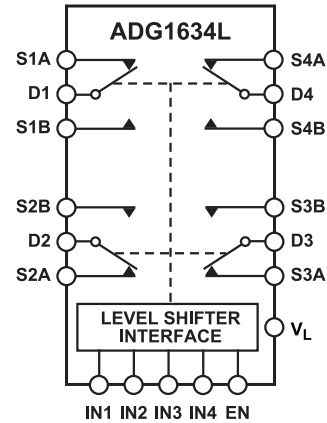
The ADG1634L is a monolithic industrial CMOS (*i*CMOS<sup>®</sup>) analog switch comprising four independently selectable single-pole, double-throw (SPDT) switches, respectively.

All channels exhibit break-before-make switching action that prevents momentary shorting when switching channels. An EN input on the ADG1634L is used to enable or disable the device. When disabled, all channels are switched off. The switch is enabled with a Logic 1 EN input, while the IN<sub>x</sub> input defines the state of the SPDT switch (see Table 12).

The ultralow on resistance and on-resistance flatness of the switch makes it an ideal solution for data acquisition and gain switching applications, where low distortion is critical. *i*CMOS construction ensures ultra low power dissipation, making the device ideally suited for portable and battery-powered instruments.

An external  $V_L$  supply provides flexibility for lower logic control. The ADG1634L is both 1.2 V and 1.8 V JEDEC standard compliant.

### FUNCTIONAL BLOCK DIAGRAM



NOTES  
1. SWITCHES SHOWN FOR A 1 INPUT LOGIC.

001

Figure 1.

### PRODUCT HIGHLIGHTS

1. 8.2  $\Omega$  maximum on resistance over temperature.
2. Minimum distortion.
3.  $V_L$  supply for low logic level compatibility.
4. JEDEC standard compliant for both 1.2 V and 1.8 V logic levels.
5. Guaranteed switch off when digital inputs are floating.
6. 24-lead, 4 mm  $\times$  4 mm LFCSP.

## TABLE OF CONTENTS

Features.....	1	Typical Performance Characteristics.....	12
Applications.....	1	Test Circuits.....	16
General Description.....	1	Terminology.....	18
Functional Block Diagram.....	1	Theory of Operations.....	19
Product Highlights.....	1	Switch Architecture.....	19
Specifications.....	3	V <sub>L</sub> Flexibility.....	19
Operating Supply Voltages.....	3	1.2 V and 1.8 V JEDEC Compliance.....	19
±5 V Dual Supply.....	3	Initialization Time.....	19
12 V Single Supply.....	4	Switches in a Known State.....	19
5 V Single Supply.....	6	Applications Information.....	20
3.3 V Single Supply.....	7	Field Programmable Grid Array (FPGA) Low	
Continuous Current per Channel, SxA, SxB,		Logic Compliance.....	20
or Dx.....	9	V <sub>OH</sub> and V <sub>OL</sub> and V <sub>INH</sub> and V <sub>INL</sub> Relationship..	20
Absolute Maximum Ratings.....	10	Power Supply Rails.....	20
Thermal Resistance.....	10	Power Supply Recommendations.....	21
Electrostatic Discharge (ESD) Ratings.....	10	Outline Dimensions.....	22
ESD Caution.....	10	Ordering Guide.....	22
Pin Configuration and Function Descriptions.....	11	Evaluation Boards.....	22

## REVISION HISTORY

### 6/2024—Rev. 0 to Rev. A

Change to -3 dB Bandwidth Parameter, Table 4.....	6
Changes to Figure 18.....	14

### 4/2022—Revision 0: Initial Version

## SPECIFICATIONS

## OPERATING SUPPLY VOLTAGES

Table 1.

Parameter	Min	Typ	Max	Unit	Test Conditions/Comments
SUPPLY VOLTAGE					
Dual	±3.3		±8	V	$V_{DD}$ to $V_{SS}$
Single	3.3		16	V	$V_{DD}$ to GND, $V_{SS} = \text{GND} = 0 \text{ V}$
DIGITAL VOLTAGE					
Single	1.1		1.3	V	$V_L$ to GND, $V_{INx} = 1.2 \text{ V}$ logic
	1.65		1.95	V	$V_L$ to GND, $V_{INx} = 1.8 \text{ V}$ logic

## ±5 V DUAL SUPPLY

$V_{DD} = +5 \text{ V} \pm 10\%$ ,  $V_{SS} = -5 \text{ V} \pm 10\%$ ,  $\text{GND} = 0 \text{ V}$ , and  $V_L = 1.1 \text{ V}$  to  $1.95 \text{ V}$ , unless otherwise noted.

Table 2.

Parameter	25°C	-40°C to +85°C	-40°C to +125°C	Unit	Test Conditions/Comments
ANALOG SWITCH					
Analog Signal Range				$V_{DD}$ to $V_{SS}$	$V_{DD} = +4.5 \text{ V}$ , $V_{SS} = -4.5 \text{ V}$
On Resistance, $R_{ON}$	4.7			$\Omega$ typ	Source voltage ( $V_S$ ) = $\pm 4.5 \text{ V}$ , source current ( $I_S$ ) = $-10 \text{ mA}$ , see <a href="#">Figure 22</a>
On-Resistance Match Between Channels, $\Delta R_{ON}$	5.2	7.2	8.2	$\Omega$ max	$V_S = \pm 4.5 \text{ V}$ , $I_S = -10 \text{ mA}$
	0.12			$\Omega$ typ	
On-Resistance Flatness, $R_{FLAT(ON)}$	0.25	0.3	0.35	$\Omega$ max	$V_S = \pm 4.5 \text{ V}$ , $I_S = -10 \text{ mA}$
	1.2			$\Omega$ typ	
	1.5	1.9	2.1	$\Omega$ max	
LEAKAGE CURRENTS					
Source Off, $I_S$ (Off)	±0.01			nA typ	$V_{DD} = +5.5 \text{ V}$ , $V_{SS} = -5.5 \text{ V}$ $V_S = +4.5 \text{ V}$ to $-4.5 \text{ V}$ , drain voltage ( $V_D$ ) = $-4.5 \text{ V}$ to $+4.5 \text{ V}$ , see <a href="#">Figure 23</a>
Drain Off, $I_D$ (Off)	±0.15	±1.5	±12	nA max	$V_S = +4.5 \text{ V}$ to $-4.5 \text{ V}$ , $V_D = -4.5 \text{ V}$ to $+4.5 \text{ V}$ , see <a href="#">Figure 23</a>
	±0.02			nA typ	
Drain Channel On, $I_D$ (On), Source Channel On, $I_S$ (On)	±0.15	±2	±20	nA max	$V_S = +4.5 \text{ V}$ to $-4.5 \text{ V}$ , $V_D = -4.5 \text{ V}$ to $+4.5 \text{ V}$ , see <a href="#">Figure 24</a>
	±0.02			nA typ	
	±0.15	±2	±20	nA max	
DIGITAL INPUTS					
Input High Voltage, $V_{INH}$			$0.65 \times V_L$	V min	$I_{Nx}$ voltage ( $V_{INx}$ ) = $V_L = 1.8 \text{ V}$ , see the <a href="#">Theory of Operations</a> section
Input Low Voltage, $V_{INL}$			$0.35 \times V_L$	V max	
Input High Current, $I_{INH}$	55			$\mu\text{A}$ typ	
			90	$\mu\text{A}$ max	$V_{INx} = V_L = 1.2 \text{ V}$ , see the <a href="#">Theory of Operations</a> section
	40			$\mu\text{A}$ typ	
Input Low Current, $I_{INL}$			65	$\mu\text{A}$ max	$V_{INx} = 0 \text{ V}$
	0.2			$\mu\text{A}$ typ	
			0.8	$\mu\text{A}$ max	
Digital Input Capacitance, $C_{IN}$	5			pF typ	

## SPECIFICATIONS

Table 2. (Continued)

Parameter	25°C	-40°C to +85°C	-40°C to +125°C	Unit	Test Conditions/Comments
<b>DYNAMIC CHARACTERISTICS</b>					
Transition Time, $t_{\text{TRANSITION}}$	174			ns typ	Load resistance ( $R_L$ ) = 300 $\Omega$ , load capacitance ( $C_L$ ) = 35 pF
Enable Delay On Time, $t_{\text{ON}}(\text{EN})$	220	251	271	ns max	$V_S = 2.5 \text{ V}$ , see Figure 25
	161			ns typ	$R_L = 300 \Omega$ , $C_L = 35 \text{ pF}$
Enable Delay Off Time, $t_{\text{OFF}}(\text{EN})$	201	224	241	ns max	$V_S = 2.5 \text{ V}$ , see Figure 27
	190			ns typ	$R_L = 300 \Omega$ , $C_L = 35 \text{ pF}$
Break-Before-Make Time Delay, $t_{\text{BBM}}$	241	266	288	ns max	$V_S = 2.5 \text{ V}$ , see Figure 27
	43		29	ns typ	$R_L = 300 \Omega$ , $C_L = 35 \text{ pF}$
Charge Injection, $Q_{\text{INJ}}$	-12.5			pC typ	S1x voltage ( $V_{S1x}$ ) = S2x voltage ( $V_{S2x}$ ) = 2.5 V, see Figure 26
Off Isolation	-58			dB typ	$V_S = 0 \text{ V}$ , source resistance ( $R_S$ ) = 0 $\Omega$ , $C_L = 1 \text{ nF}$ , see Figure 28
Channel-to-Channel Crosstalk	-64			dB typ	$R_L = 50 \Omega$ , $C_L = 5 \text{ pF}$ , frequency = 1 MHz, see Figure 29
Total Harmonic Distortion, THD	-102			dB typ	$R_L = 10 \text{ k}\Omega$ , $V_S = 5 \text{ V p-p}$ , frequency = 1 kHz to 20 kHz, Figure 20
	-95			dB typ	$R_L = 10 \text{ k}\Omega$ , $V_S = 5 \text{ V p-p}$ , frequency = 100 kHz, Figure 20
Total Harmonic Distortion Plus Noise, THD + N	0.002			% typ	$R_L = 10 \text{ k}\Omega$ , $V_S = 5 \text{ V p-p}$ , frequency = 100 kHz, see Figure 32
-3 dB Bandwidth	77			MHz typ	$R_L = 50 \Omega$ , $C_L = 5 \text{ pF}$ , see Figure 30
Insertion Loss	0.26			dB typ	$R_L = 50 \Omega$ , $C_L = 5 \text{ pF}$ , see Figure 30
Source Off Capacitance, $C_S(\text{Off})$	19			pF typ	$V_S = 0 \text{ V}$ , frequency = 1 MHz
Drain Off Capacitance, $C_D(\text{Off})$	33			pF typ	$V_S = 0 \text{ V}$ , frequency = 1 MHz
Drain On Capacitance $C_D(\text{On})$ , Source On Capacitance, $C_S(\text{On})$	57			pF typ	$V_S = 0 \text{ V}$ , frequency = 1 MHz
<b>POWER REQUIREMENTS</b>					
Positive Supply Current ( $I_{\text{DD}}$ )	50		90	$\mu\text{A typ}$	$V_{\text{DD}} = +5.5 \text{ V}$ , $V_{\text{SS}} = -5.5 \text{ V}$ $V_{\text{INx}} = 0 \text{ V or } V_L$
				$\mu\text{A max}$	
Negative Supply Current ( $I_{\text{SS}}$ )	0.001		1	$\mu\text{A typ}$	$V_{\text{INx}} = 0 \text{ V or } V_L$
				$\mu\text{A max}$	
Digital Supply Current ( $I_{\text{VL}}$ )	45		70	$\mu\text{A typ}$	$V_{\text{INx}} = V_L = 1.8 \text{ V}$
			30	$\mu\text{A max}$	
			55	$\mu\text{A max}$	$V_{\text{INx}} = V_L = 1.2 \text{ V}$

## 12 V SINGLE SUPPLY

$V_{\text{DD}} = 12 \text{ V} \pm 10\%$ ,  $V_{\text{SS}} = 0 \text{ V}$ ,  $\text{GND} = 0 \text{ V}$ , and  $V_L = 1.1 \text{ V}$  to  $1.95 \text{ V}$ , unless otherwise noted.

Table 3.

Parameter	25°C	-40°C to +85°C	-40°C to +125°C	Unit	Test Conditions/Comments
<b>ANALOG SWITCH</b>					
Analog Signal Range			0 to $V_{\text{DD}}$	V	
On Resistance, $R_{\text{ON}}$	4.1			$\Omega$ typ	$V_S = 0 \text{ V}$ to $10 \text{ V}$ , $I_S = -10 \text{ mA}$ , see Figure 22
	4.6	6.6	7.6	$\Omega$ max	

## SPECIFICATIONS

Table 3. (Continued)

Parameter	25°C	-40°C to +85°C	-40°C to +125°C	Unit	Test Conditions/Comments
On-Resistance Match Between Channels, $\Delta R_{ON}$	0.12			$\Omega$ typ	$V_S = 10\text{ V}$ , $I_S = -10\text{ mA}$
	0.25	0.3	0.35	$\Omega$ max	
On-Resistance Flatness, $R_{FLAT(ON)}$	1			$\Omega$ typ	$V_S = 0\text{ V}$ to $10\text{ V}$ , $I_S = -10\text{ mA}$
	1.3	1.7	2	$\Omega$ max	
LEAKAGE CURRENTS					
Source Off, $I_S$ (Off)	$\pm 0.01$			nA typ	$V_{DD} = 13.2\text{ V}$ , $V_{SS} = 0\text{ V}$
	$\pm 0.15$	$\pm 1.5$	$\pm 12$	nA max	$V_S = 1\text{ V}/10\text{ V}$ , $V_D = 10\text{ V}/1\text{ V}$ , see <a href="#">Figure 23</a>
Drain Off, $I_D$ (Off)	$\pm 0.02$			nA typ	$V_S = 1\text{ V}/10\text{ V}$ , $V_D = 10\text{ V}/1\text{ V}$ , see <a href="#">Figure 23</a>
	$\pm 0.15$	$\pm 2$	$\pm 20$	nA max	
Drain Channel On, $I_D$ (On), Source Channel On, $I_S$ (On)	$\pm 0.02$			nA typ	$V_S = V_D = 1\text{ V}$ or $10\text{ V}$ , see <a href="#">Figure 24</a>
	$\pm 0.15$	$\pm 2$	$\pm 20$	nA max	
DIGITAL INPUTS					
Input High Voltage, $V_{INH}$			$0.65 \times V_L$	V min	
Input Low Voltage, $V_{INL}$			$0.35 \times V_L$	V max	
Input High Current, $I_{INH}$	55			$\mu\text{A}$ typ	$V_{INX} = V_L = 1.8\text{ V}$ , see the <a href="#">Theory of Operations</a> section
			90	$\mu\text{A}$ max	
	40			$\mu\text{A}$ typ	$V_{INX} = V_L = 1.2\text{ V}$ , see the <a href="#">Theory of Operations</a> section
			65	$\mu\text{A}$ max	
Input Low Current, $I_{INL}$	0.2			$\mu\text{A}$ typ	$V_{INX} = 0\text{ V}$
			0.8	$\mu\text{A}$ max	
Digital Input Capacitance, $C_{IN}$	5			pF typ	
DYNAMIC CHARACTERISTICS					
Transition Time, $t_{TRANSITION}$	145			ns typ	$R_L = 300\ \Omega$ , $C_L = 35\text{ pF}$
	185	208	231	ns max	$V_S = 8\text{ V}$ , see <a href="#">Figure 25</a>
Enable Delay On Time, $t_{ON}(EN)$	127			ns typ	$R_L = 300\ \Omega$ , $C_L = 35\text{ pF}$
	154	166	177	ns max	$V_S = 8\text{ V}$ , see <a href="#">Figure 27</a>
Enable Delay Off Time, $t_{OFF}(EN)$	159			ns typ	$R_L = 300\ \Omega$ , $C_L = 35\text{ pF}$
	195	218	241	ns max	$V_S = 8\text{ V}$ , see <a href="#">Figure 27</a>
Break-Before-Make Time Delay, $t_{BBM}$	44			ns typ	$R_L = 300\ \Omega$ , $C_L = 35\text{ pF}$
			30	ns min	$V_{S1} = V_{S2} = 8\text{ V}$ , see <a href="#">Figure 26</a>
Charge Injection, $Q_{INJ}$	-12.4			pC typ	$V_S = 6\text{ V}$ , $R_S = 0\ \Omega$ , $C_L = 1\text{ nF}$ , see <a href="#">Figure 28</a>
Off Isolation	-58			dB typ	$R_L = 50\ \Omega$ , $C_L = 5\text{ pF}$ , frequency = $1\text{ MHz}$ , see <a href="#">Figure 29</a>
Channel-to-Channel Crosstalk	-64			dB typ	$R_L = 50\ \Omega$ , $C_L = 5\text{ pF}$ , $f = 1\text{ MHz}$ , see <a href="#">Figure 31</a>
Total Harmonic Distortion, THD	-99			dB typ	$R_L = 10\text{ k}\Omega$ , $V_S = 5\text{ V p-p}$ , frequency = $1\text{ kHz}$ to $20\text{ kHz}$ , see <a href="#">Figure 20</a>
	-97			dB typ	$R_L = 10\text{ k}\Omega$ , $V_S = 5\text{ V p-p}$ , frequency = $100\text{ kHz}$ , see <a href="#">Figure 20</a>
Total Harmonic Distortion Plus Noise, THD + N	0.0018			% typ	$R_L = 10\text{ k}\Omega$ , $V_S = 5\text{ V p-p}$ , frequency = $100\text{ kHz}$ , see <a href="#">Figure 32</a>
-3 dB Bandwidth	77			MHz typ	$R_L = 50\ \Omega$ , $C_L = 5\text{ pF}$ , see <a href="#">Figure 30</a>
Insertion Loss	-0.21			dB typ	$R_L = 50\ \Omega$ , $C_L = 5\text{ pF}$ , see <a href="#">Figure 30</a>
Source Off Capacitance, $C_S$ (Off)	19			pF typ	$V_S = 6\text{ V}$ , frequency = $1\text{ MHz}$
Drain Off Capacitance, $C_D$ (Off)	32			pF typ	$V_S = 6\text{ V}$ , frequency = $1\text{ MHz}$
Drain On Capacitance $C_D$ (On), Source On Capacitance, $C_S$ (On)	56			pF typ	$V_S = 6\text{ V}$ , frequency = $1\text{ MHz}$

## SPECIFICATIONS

Table 3. (Continued)

Parameter	25°C	-40°C to +85°C	-40°C to +125°C	Unit	Test Conditions/Comments
<b>POWER REQUIREMENTS</b>					
Positive Current, $I_{DD}$	55		95	$\mu\text{A}$ typ $\mu\text{A}$ max	$V_{DD} = 12\text{ V}$ $V_{INX} = 0\text{ V}$ or $V_{VL}$
Digital Supply Current, $I_{VL}$	45		70	$\mu\text{A}$ typ $\mu\text{A}$ max	$V_{INX} = V_L = 1.8\text{ V}$
	30		55	$\mu\text{A}$ typ $\mu\text{A}$ max	$V_{INX} = V_L = 1.2\text{ V}$

## 5 V SINGLE SUPPLY

$V_{DD} = 5\text{ V} \pm 10\%$ ,  $V_{SS} = 0\text{ V}$ ,  $\text{GND} = 0\text{ V}$ , and  $V_L = 1.1\text{ V}$  to  $1.95\text{ V}$ , unless otherwise noted.

Table 4.

Parameter	25°C	-40°C to +85°C	-40°C to +125°C	Unit	Test Conditions/Comments
<b>ANALOG SWITCH</b>					
Analog Signal Range			0 to $V_{DD}$	V	
On Resistance, $R_{ON}$	8.5		14	$\Omega$ typ $\Omega$ max	$V_S = 0\text{ V}$ to $4.5\text{ V}$ , $I_S = -10\text{ mA}$ , see <a href="#">Figure 22</a>
On-Resistance Match Between Channels, $\Delta R_{ON}$	0.15	12.5	14	$\Omega$ typ $\Omega$ max	$V_{DD} = 4.5\text{ V}$ , $V_{SS} = 0\text{ V}$ $V_S = 0\text{ V}$ to $4.5\text{ V}$ , $I_S = -10\text{ mA}$
On-Resistance Flatness, $R_{FLAT(ON)}$	0.3	0.35	0.4	$\Omega$ typ $\Omega$ max	$V_S = 0\text{ V}$ to $4.5\text{ V}$ , $I_S = -10\text{ mA}$
	2	3	3.3	$\Omega$ typ $\Omega$ max	$V_S = 0\text{ V}$ to $4.5\text{ V}$ , $I_S = -10\text{ mA}$
<b>LEAKAGE CURRENTS</b>					
Source Off, $I_S$ (Off)	$\pm 0.01$			nA typ nA max	$V_{DD} = 5.5\text{ V}$ , $V_{SS} = 0\text{ V}$ $V_S = 1\text{ V}/4.5\text{ V}$ , $V_D = 4.5\text{ V}/1\text{ V}$ , see <a href="#">Figure 23</a>
Drain Off, $I_D$ (Off)	$\pm 0.15$	$\pm 1.5$	$\pm 12$	nA typ nA max	$V_S = 1\text{ V}/4.5\text{ V}$ , $V_D = 4.5\text{ V}/1\text{ V}$ , see <a href="#">Figure 23</a>
Drain Channel On, $I_D$ (On), Source Channel On, $I_S$ (On)	$\pm 0.15$	$\pm 2$	$\pm 20$	nA typ nA max	$V_S = V_D = 1\text{ V}$ or $4.5\text{ V}$ , see <a href="#">Figure 24</a>
	$\pm 0.02$	$\pm 2$	$\pm 20$	nA typ nA max	
<b>DIGITAL INPUTS</b>					
Input High Voltage, $V_{INH}$			$0.65 \times V_L$	V min	
Input Low Voltage, $V_{INL}$			$0.35 \times V_L$	V max	
Input High Current, $I_{INH}$	55			$\mu\text{A}$ typ $\mu\text{A}$ max	$V_{INX} = V_L = 1.8\text{ V}$ , see the <a href="#">Theory of Operations</a> section
	40		90	$\mu\text{A}$ max nA typ	$V_{INX} = V_L = 1.2\text{ V}$ , see the <a href="#">Theory of Operations</a> section
Input Low Current, $I_{INL}$	0.2		65	$\mu\text{A}$ typ $\mu\text{A}$ max	$V_{INX} = 0\text{ V}$
Digital Input Capacitance, $C_{IN}$	5		0.8	$\mu\text{A}$ max pF typ	
<b>DYNAMIC CHARACTERISTICS</b>					
Transition Time, $t_{TRANSITION}$	218			ns typ ns max	$R_L = 300\ \Omega$ , $C_L = 35\text{ pF}$ $V_S = 2.5\text{ V}$ , see <a href="#">Figure 25</a>
Enable Delay On Time, $t_{ON}$ (EN)	274	314	342	ns typ ns max	$R_L = 300\ \Omega$ , $C_L = 35\text{ pF}$ $V_S = 2.5\text{ V}$ , see <a href="#">Figure 27</a>
Enable Delay Off Time, $t_{OFF}$ (EN)	190	273	294	ns typ ns max	$R_L = 300\ \Omega$ , $C_L = 35\text{ pF}$ $V_S = 2.5\text{ V}$ , see <a href="#">Figure 27</a>
	247	308	336	ns typ ns max	$R_L = 300\ \Omega$ , $C_L = 35\text{ pF}$ $V_S = 2.5\text{ V}$ , see <a href="#">Figure 27</a>

## SPECIFICATIONS

Table 4. (Continued)

Parameter	25°C	-40°C to +85°C	-40°C to +125°C	Unit	Test Conditions/Comments
Break-Before-Make Time Delay, $t_{BBM}$	55		36	ns typ ns min	$R_L = 300 \Omega$ , $C_L = 35 \text{ pF}$ $V_{S1} = V_{S2} = 2.5 \text{ V}$ , see Figure 26
Charge Injection, $Q_{INJ}$	-5			pC typ	$V_S = 2.5 \text{ V}$ , $R_S = 0 \Omega$ , $C_L = 1 \text{ nF}$ , see Figure 28
Off Isolation	-58			dB typ	$R_L = 50 \Omega$ , $C_L = 5 \text{ pF}$ , frequency = 1 MHz, see Figure 29
Channel-to-Channel Crosstalk	-64			dB typ	$R_L = 50 \Omega$ , $C_L = 5 \text{ pF}$ , frequency = 1 MHz, see Figure 31
Total Harmonic Distortion (THD)	-83			dB typ	$R_L = 10 \text{ k}\Omega$ , frequency = 1 kHz to 20 kHz, $V_S = 3.5 \text{ V p-p}$ , see Figure 20
				dB typ	$R_L = 10 \text{ k}\Omega$ , frequency = 100 kHz, $V_S = 3.5 \text{ V p-p}$ , see Figure 20
Total Harmonic Distortion Plus Noise (THD + N)	0.011			% typ	$R_L = 10 \text{ k}\Omega$ , frequency = 100 kHz, $V_S = 3.5 \text{ V p-p}$ , see Figure 32
-3 dB Bandwidth	76			MHz typ	$R_L = 50 \Omega$ , $C_L = 5 \text{ pF}$ , see Figure 30
Insertion Loss	-0.44			dB typ	$R_L = 50 \Omega$ , $C_L = 5 \text{ pF}$ , see Figure 30
Source Off Capacitance, $C_S$ (Off)	21			pF typ	$V_S = 2.5 \text{ V}$ , frequency = 1 MHz
Drain Off Capacitance, $C_D$ (Off)	37			pF typ	$V_S = 2.5 \text{ V}$ , frequency = 1 MHz
Drain On Capacitance, $C_D$ (On), Source On Capacitance, $C_S$ (On)	62			pF typ	$V_S = 2.5 \text{ V}$ , frequency = 1 MHz
<b>POWER REQUIREMENTS</b>					
Positive Current, $I_{DD}$	50		90	$\mu\text{A typ}$ $\mu\text{A max}$	$V_{DD} = 5.5 \text{ V}$ , $V_{SS} = 0 \text{ V}$ $V_{INx} = V_L = 0 \text{ V}$
Digital Supply Current, $I_{VL}$	45		70	$\mu\text{A typ}$ $\mu\text{A max}$	$V_{INx} = V_L = 1.8 \text{ V}$
	30		55	$\mu\text{A typ}$ $\mu\text{A max}$	$V_{INx} = V_L = 1.2 \text{ V}$

## 3.3 V SINGLE SUPPLY

$V_{DD} = 3.3 \text{ V}$ ,  $V_{SS} = 0 \text{ V}$ ,  $\text{GND} = 0 \text{ V}$ , and  $V_L = 1.1 \text{ V}$  to  $1.95 \text{ V}$ , unless otherwise noted.

Table 5.

Parameter	25°C	-40°C to +85°C	-40°C to +125°C	Unit	Test Conditions/Comments
<b>ANALOG SWITCH</b>					
Analog Signal Range			0 to $V_{DD}$	V	
On Resistance, $R_{ON}$	13.5	15	16.5	$\Omega$ typ	$V_S = 0 \text{ V}$ to $V_{DD}$ , $I_S = -10 \text{ mA}$ , see Figure 22, $V_{DD} = 3.3 \text{ V}$ , $V_{SS} = 0 \text{ V}$
On-Resistance Match Between Channels, $\Delta R_{ON}$	0.25	0.28	0.3	$\Omega$ typ	$V_S = 0 \text{ V}$ to $V_{DD}$ , $I_S = -10 \text{ mA}$
On-Resistance Flatness, $R_{FLAT(ON)}$	5	5.5	6.5	$\Omega$ typ	$V_S = 0 \text{ V}$ to $V_{DD}$ , $I_S = -10 \text{ mA}$
<b>LEAKAGE CURRENTS</b>					
Source Off, $I_S$ (Off)	$\pm 0.01$			nA typ	$V_{DD} = 3.6 \text{ V}$ , $V_{SS} = 0 \text{ V}$ $V_S = 0.6 \text{ V}/3 \text{ V}$ , $V_D = 3 \text{ V}/0.6 \text{ V}$ , see Figure 23
	$\pm 0.15$	$\pm 1.5$	$\pm 12$	nA max	
Drain Off, $I_D$ (Off)	$\pm 0.02$			nA typ	$V_S = 0.6 \text{ V}/3 \text{ V}$ , $V_D = 3 \text{ V}/0.6 \text{ V}$ , see Figure 23
	$\pm 0.15$	$\pm 2$	$\pm 20$	nA max	
Drain Channel On, $I_D$ (On), Source Channel On, $I_S$ (On)	$\pm 0.02$			nA typ	$V_S = V_D = 0.6 \text{ V}$ or $3 \text{ V}$ , see Figure 24
	$\pm 0.15$	$\pm 2$	$\pm 20$	nA max	

## SPECIFICATIONS

Table 5. (Continued)

Parameter	25°C	-40°C to +85°C	-40°C to +125°C	Unit	Test Conditions/Comments
<b>DIGITAL INPUTS</b>					
Input High Voltage, $V_{INH}$			$0.65 \times V_L$	V min	$V_{INX} = V_L = 1.8$ V, see the <a href="#">Theory of Operations</a> section
Input Low Voltage, $V_{INL}$			$0.35 \times V_L$	V max	
Input High Current, $I_{INH}$	55			$\mu$ A typ	
			90	$\mu$ A max	$V_{INX} = V_L = 1.2$ V, see the <a href="#">Theory of Operations</a> section
	40			nA typ	
Input Low Current, $I_{INL}$	0.2		65	$\mu$ A max	$V_{INX} = 0$ V
			0.8	$\mu$ A max	
Digital Capacitance, $C_{IN}$	5			pF typ	
<b>DYNAMIC CHARACTERISTICS</b>					
Transition Time, $t_{TRANSITION}$	300			ns typ	$R_L = 300 \Omega$ , $C_L = 35$ pF
	397	449	477	ns max	$V_S = 1.5$ V, see <a href="#">Figure 25</a>
Enable Delay On Time, $t_{ON}$ (EN)	307			ns typ	$R_L = 300 \Omega$ , $C_L = 35$ pF
	420	437	495	ns max	$V_S = 1.5$ V, see <a href="#">Figure 27</a>
Enable Delay Off Time, $t_{OFF}$ (EN)	293			ns typ	$R_L = 300 \Omega$ , $C_L = 35$ pF
	337	414	443	ns max	$V_S = 1.5$ V, see <a href="#">Figure 27</a>
Break-Before-Make Time Delay, $t_{BBM}$	78			ns typ	$R_L = 300 \Omega$ , $C_L = 35$ pF
			51	ns min	$V_{S1} = V_{S2} = 1.5$ V, see <a href="#">Figure 26</a>
Charge Injection, $Q_{INJ}$	-10			pC typ	$V_S = 1.5$ V, $R_S = 0 \Omega$ , $C_L = 1$ nF, see <a href="#">Figure 28</a>
Off Isolation	-58			dB typ	$R_L = 50 \Omega$ , $C_L = 5$ pF, frequency = 1 MHz, see <a href="#">Figure 29</a>
Channel-to-Channel Crosstalk	-64			dB typ	$R_L = 50 \Omega$ , $C_L = 5$ pF, frequency = 1 MHz, see <a href="#">Figure 31</a>
Total Harmonic Distortion, THD	-77			% typ	$R_L = 10$ k $\Omega$ , frequency = 1 kHz to 20 kHz, $V_S = 2$ V p-p, see <a href="#">Figure 20</a>
	-76			% typ	$R_L = 10$ k $\Omega$ , frequency = 100 kHz, $V_S = 2$ V p-p, see <a href="#">Figure 20</a>
Total Harmonic Distortion Plus Noise, THD + N	0.016			% typ	$R_L = 10$ k $\Omega$ , frequency = 100 kHz, $V_S = 2$ V p-p, see <a href="#">Figure 32</a>
-3 dB Bandwidth	83			MHz typ	$R_L = 50 \Omega$ , $C_L = 5$ pF, see <a href="#">Figure 30</a>
Insertion Loss	-1.15			dB typ	$R_L = 50 \Omega$ , $C_L = 5$ pF, see <a href="#">Figure 30</a>
Source Off Capacitance, $C_S$ (Off)	22			pF typ	$V_S = 1.5$ V, frequency = 1 MHz
Drain Off Capacitance, $C_D$ (Off)	39			pF typ	$V_S = 1.5$ V, frequency = 1 MHz
Drain On Capacitance, $C_D$ (On), Source On Capacitance, $C_S$ (On)	64			pF typ	$V_S = 1.5$ V, frequency = 1 MHz
<b>POWER REQUIREMENTS</b>					
Positive Current, $I_{DD}$	45			$\mu$ A typ	$V_{DD} = 3.6$ V
			90	$\mu$ A max	$V_{INX} = V_L = 0$ V
Digital Supply Current, $I_{VL}$	45		75	$\mu$ A typ	$V_{INX} = V_L = 1.8$ V
	30			$\mu$ A typ	$V_{INX} = V_L = 1.2$ V
			55	$\mu$ A max	



## SPECIFICATIONS

## CONTINUOUS CURRENT PER CHANNEL, SxA, SxB, OR Dx

Table 6. Four Channels On

Parameter	25°C	85°C	125°C	Unit
CONTINUOUS CURRENT, SxA, SxB, OR Dx <sup>1</sup> ( $\theta_{JA} = 49.18^\circ\text{C/W}$ )				
$V_{DD} = +5\text{ V}, V_{SS} = -5\text{ V}$	186	118	69	mA maximum
$V_{DD} = 12\text{ V}, V_{SS} = 0\text{ V}$	197	123	70	mA maximum
$V_{DD} = 5\text{ V}, V_{SS} = 0\text{ V}$	143	96	60	mA maximum
$V_{DD} = 3.3\text{ V}, V_{SS} = 0\text{ V}$	118	82	54	mA maximum

<sup>1</sup> SxA and SxB refer to the S1A to S4A pins and the S1B to S4B pins, and Dx refers to the D1 to D4 pins.

Table 7. One Channel On

Parameter	25°C	85°C	125°C	Unit
CONTINUOUS CURRENT, SxA, SxB, OR Dx <sup>1</sup> ( $\theta_{JA} = 49.18^\circ\text{C/W}$ )				
$V_{DD} = +5\text{ V}, V_{SS} = -5\text{ V}$	340	184	85	mA maximum
$V_{DD} = 12\text{ V}, V_{SS} = 0\text{ V}$	359	191	86	mA maximum
$V_{DD} = 5\text{ V}, V_{SS} = 0\text{ V}$	262	154	79	mA maximum
$V_{DD} = 3.3\text{ V}, V_{SS} = 0\text{ V}$	215	133	74	mA maximum

<sup>1</sup> SxA and SxB refer to the S1A to S4A pins and the S1B to S4B pins, and Dx refers to the D1 to D4 pins.

## ABSOLUTE MAXIMUM RATINGS

$T_A = 25^\circ\text{C}$ , unless otherwise noted.

**Table 8.**

Parameter	Rating
$V_{DD}$ to $V_{SS}$	18 V
$V_{DD}$ to GND	-0.3 V to +18 V
$V_{SS}$ to GND	+0.3 V to -18 V
$V_I$ to GND	-0.3 V to +2.25 V
Analog Inputs <sup>1</sup>	$V_{SS} - 0.3$ V to $V_{DD} + 0.3$ V or 30 mA, whichever occurs first
Digital Inputs <sup>2</sup>	GND - 0.3 V to 2.25 V or 30 mA, whichever occurs first
Peak Current, SxA, SxB or Dx <sup>3</sup>	317 mA (pulsed at 1 ms, 10% duty-cycle maximum)
Continuous Current, SxA, SxB, or Dx Pins <sup>4</sup>	Data + 15%
Temperature	
Operating Range	-40°C to +125°C
Storage Range	-65°C to +150°C
Junction	150°C
Reflow Soldering Peak, Pb free	260°C

<sup>1</sup> Overvoltages at the SxA, SxB, and Dx analog input pins are clamped by internal diodes. Limit the current to the maximum ratings given.

<sup>2</sup> Overvoltages at the INx digital input pins are clamped by internal diodes.

<sup>3</sup> SxA and SxB refers to the S1A to S4A pins and the S1B to S4B, and Dx refers to the D1 to D4 pins.

<sup>4</sup> See Table 6 and Table 7.

Stresses at or above those listed under Absolute Maximum Ratings may cause permanent damage to the product. This is a stress rating only; functional operation of the product at these or any other conditions above those indicated in the operational section of this specification is not implied. Operation beyond the maximum operating conditions for extended periods may affect product reliability.

## THERMAL RESISTANCE

Thermal performance is directly linked to printed circuit board (PCB) design and operating environment. Careful attention to PCB thermal design is required.

$\theta_{JA}$  is the natural convection junction-to-ambient thermal resistance measured in a one cubic foot sealed enclosure, and  $\theta_{JC}$  is the junction-to-case thermal resistance.

**Table 9. Thermal Resistance**

Package Type	$\theta_{JA}$	$\theta_{JC}$	Unit
CP-24-17 <sup>1</sup>	49.18	9.35	°C/W

<sup>1</sup> Thermal impedance simulated values are based on JEDEC 2S2P thermal test board without thermal vias. See JEDEC JESD-51.

## ELECTROSTATIC DISCHARGE (ESD) RATINGS

The following ESD information is provided for handling of ESD-sensitive devices in an ESD protected area only.

Human body model (HBM) per ANSI/ESDA/JEDEC JS-001.

Field induced charged-device model (FICDM) per ANSI/ESDA/JEDEC JS-002.

### ESD Ratings for the ADG1634L

**Table 10. ADG1634L, 24-Lead LFCSP**

ESD Model	Withstand Threshold (V)	Class
HBM <sup>1</sup>	±3000	2
FICDM	±1250	C3

<sup>1</sup> For the input and output port to the supplies, the input and output port to the input and output port, and all other inputs.

## ESD CAUTION



**ESD (electrostatic discharge) sensitive device.** Charged devices and circuit boards can discharge without detection. Although this product features patented or proprietary protection circuitry, damage may occur on devices subjected to high energy ESD. Therefore, proper ESD precautions should be taken to avoid performance degradation or loss of functionality.

PIN CONFIGURATION AND FUNCTION DESCRIPTIONS

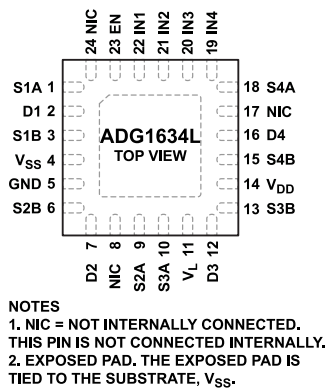


Figure 2. Pin Configuration

Table 11. Pin Function Descriptions

Pin No.	Mnemonic	Description
1	S1A	Source Terminal 1A. S1A can be an input or an output.
2	D1	Drain Terminal 1. D1 can be an input or an output.
3	S1B	Source Terminal 1B. S1B can be an input or an output.
4	V <sub>SS</sub>	Most Negative Power Supply Potential. In single-supply applications, the V <sub>SS</sub> pin can be connected to ground.
5	GND	Ground (0 V) Reference.
6	S2B	Source Terminal 2B. S2B can be an input or an output.
7	D2	Drain Terminal 2. D2 can be an input or an output.
8, 17, 24	NIC	Not Internally Connected. This pin is not connected internally.
9	S2A	Source Terminal 2A. S2A can be an input or an output.
10	S3A	Source Terminal 3A. S3A can be an input or an output.
11	V <sub>L</sub>	Logic Control Power Supply Potential.
12	D3	Drain Terminal 3. D3 can be an input or an output.
13	S3B	Source Terminal 3B. S3B can be an input or an output.
14	V <sub>DD</sub>	Most Positive Power Supply Potential.
15	S4B	Source Terminal 4B. S4B can be an input or an output.
16	D4	Drain Terminal 4. D4 can be an input or an output.
18	S4A	Source Terminal 4A. S4A can be an input or an output.
19	IN4	Logic Control Input 4.
20	IN3	Logic Control Input 3.
21	IN2	Logic Control Input 2.
22	IN1	Logic Control Input 1.
23	EN	Active High Digital Input. When the EN pin is low, the device is disabled, and all switches are off. When the EN pin is high, the IN <sub>x</sub> logic inputs determine the on switches.
Not applicable	EPAD	Exposed Pad. The exposed pad is tied to the substrate, V <sub>SS</sub> .

Table 12. Truth Table

EN	IN <sub>x</sub>	S <sub>x</sub> A	S <sub>x</sub> B
0	Don't care	Off	Off
1	0	Off	On
1	1	On	Off

TYPICAL PERFORMANCE CHARACTERISTICS

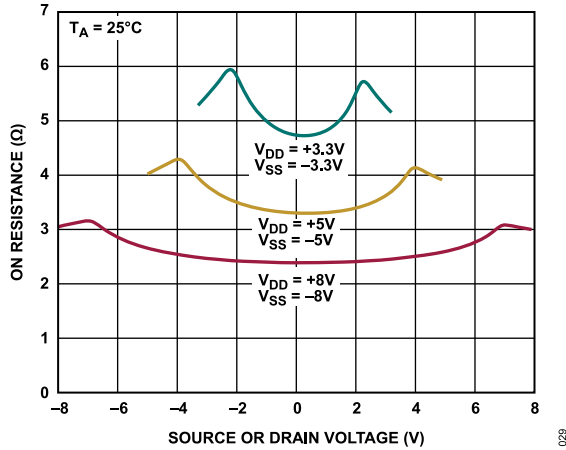


Figure 3. On Resistance vs.  $V_D$  ( $V_S$ ), Dual Supply

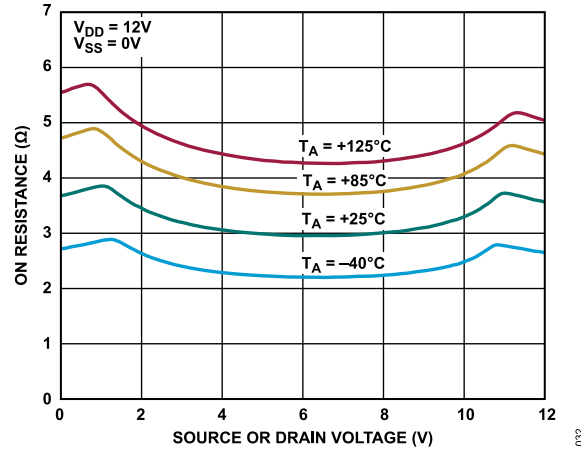


Figure 6. On Resistance vs.  $V_D$  ( $V_S$ ) for Different Temperatures, 12 V Single Supply

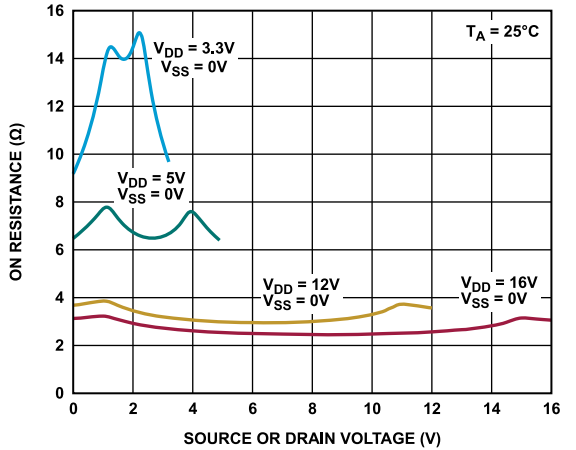


Figure 4. On Resistance vs.  $V_D$  ( $V_S$ ), Single Supply

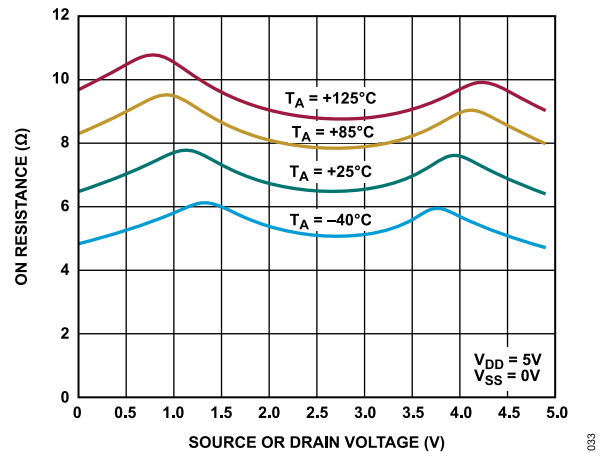


Figure 7. On Resistance vs.  $V_D$  ( $V_S$ ) for Different Temperatures, 5 V Single Supply

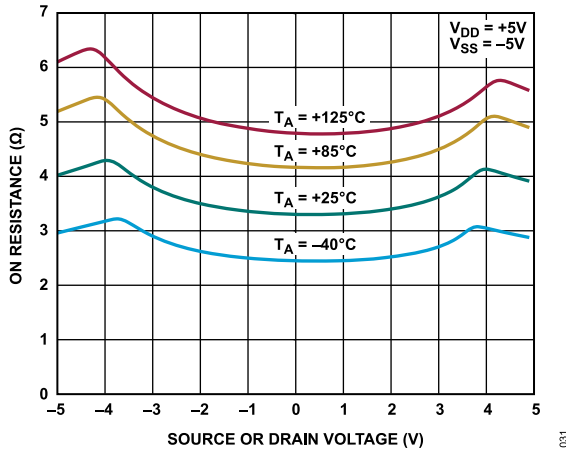


Figure 5. On Resistance vs.  $V_D$  ( $V_S$ ) for Different Temperatures,  $\pm 5\text{ V}$  Dual Supply

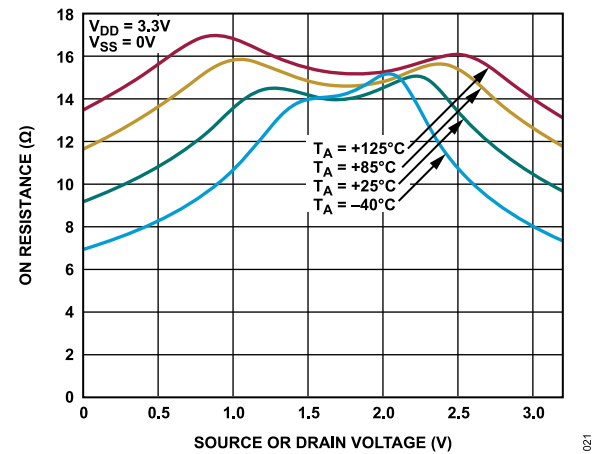


Figure 8. On Resistance vs.  $V_D$  ( $V_S$ ) for Different Temperatures, 3.3 V Single Supply

TYPICAL PERFORMANCE CHARACTERISTICS

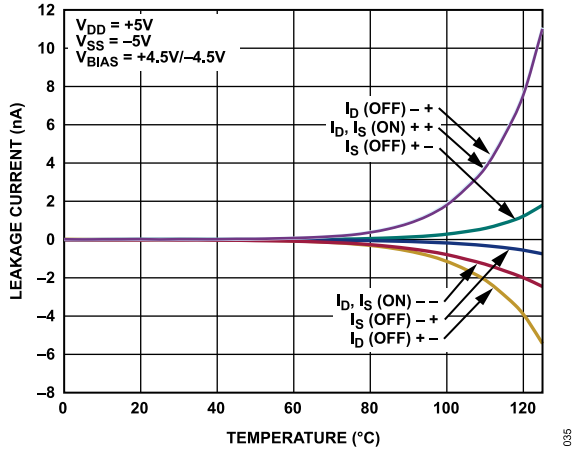


Figure 9. Leakage Current vs. Temperature, ±5 V Dual Supply

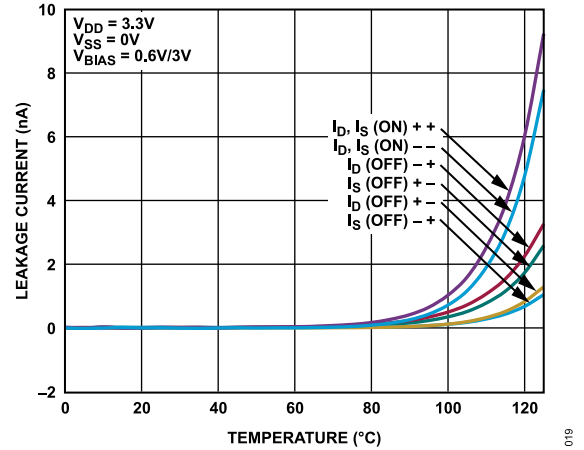


Figure 12. Leakage Current vs. Temperature, 3.3 V Single Supply

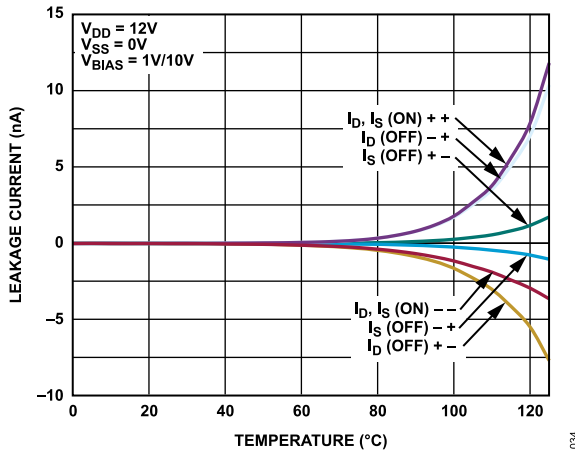


Figure 10. Leakage Current vs. Temperature, 12 V Single Supply

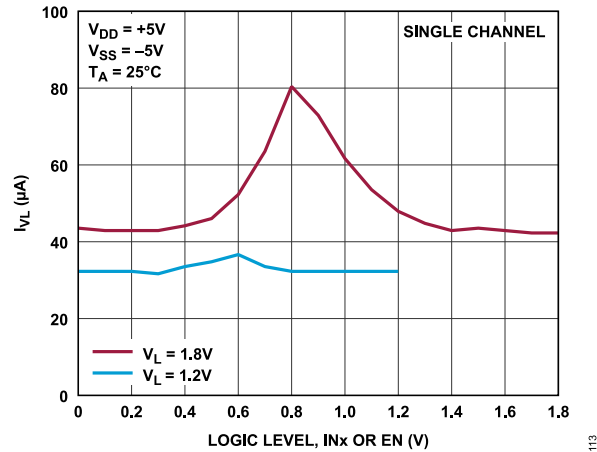


Figure 13.  $I_{VL}$  vs. Logic Level, INx or EN

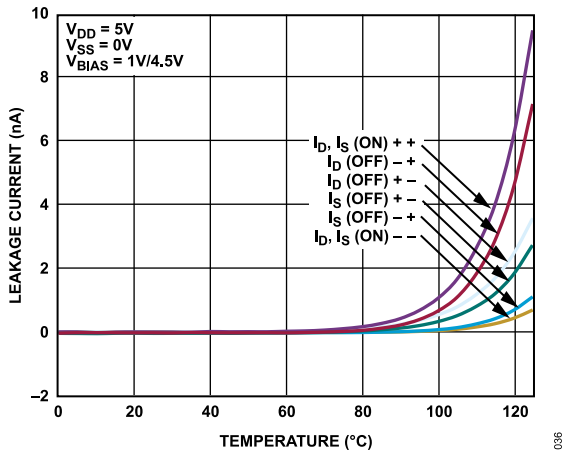


Figure 11. Leakage Current vs. Temperature, 5 V Single Supply

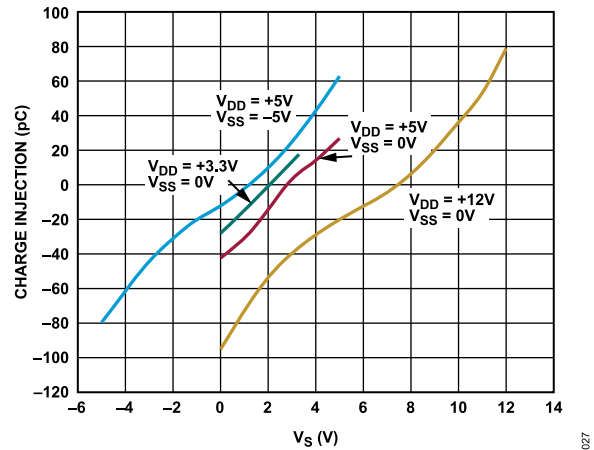


Figure 14. Charge Injection vs.  $V_S$

TYPICAL PERFORMANCE CHARACTERISTICS

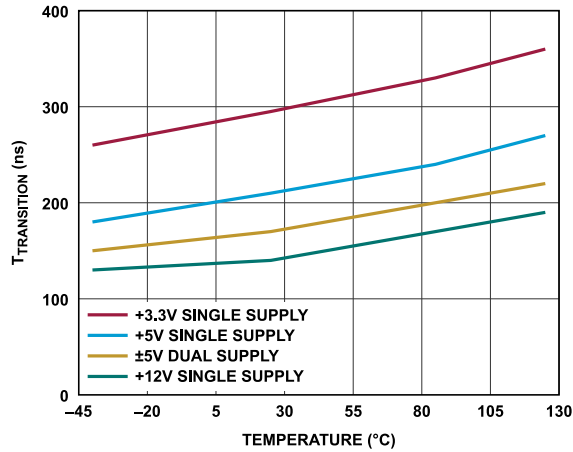


Figure 15.  $T_{TRANSITION}$  vs. Temperature

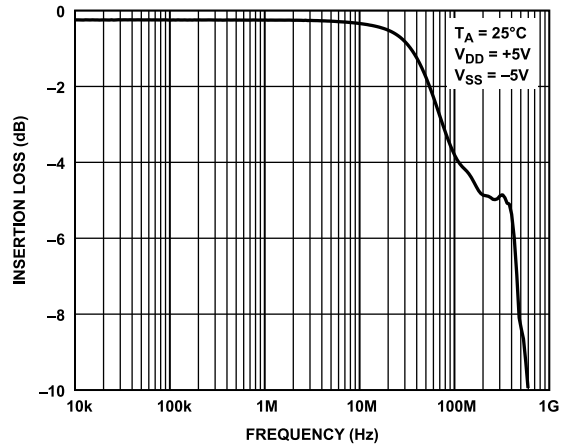


Figure 18. Insertion Loss vs. Frequency

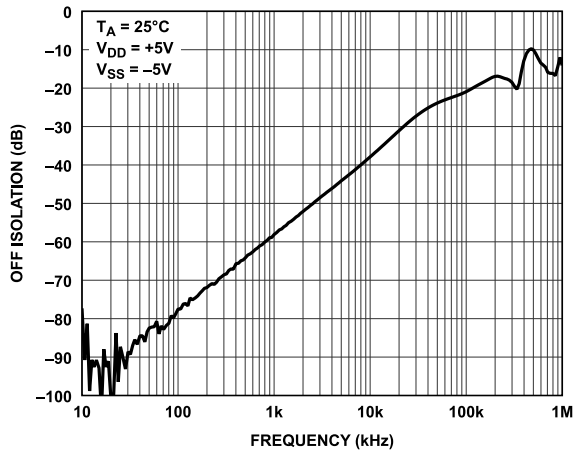


Figure 16. Off Isolation vs. Frequency

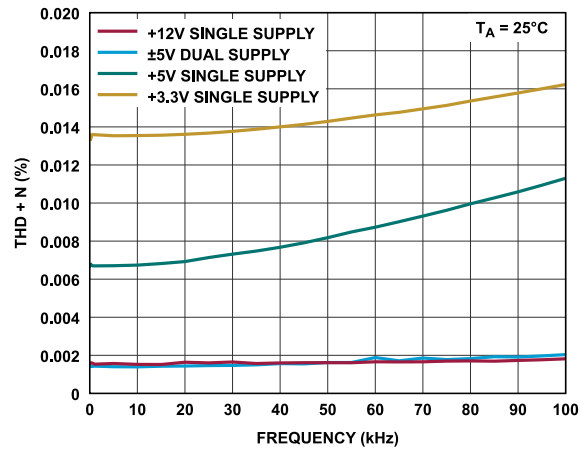


Figure 19. THD + N vs. Frequency

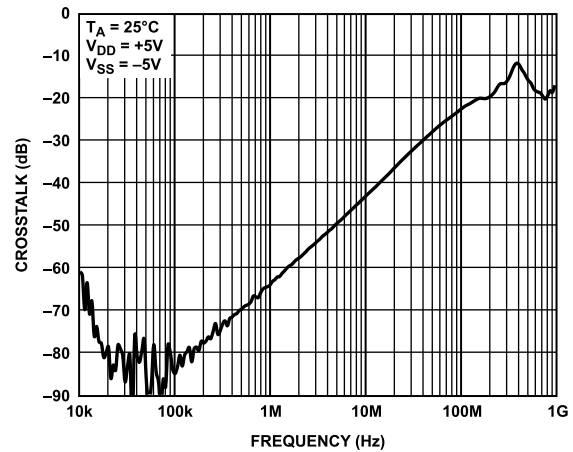


Figure 17. Crosstalk vs. Frequency

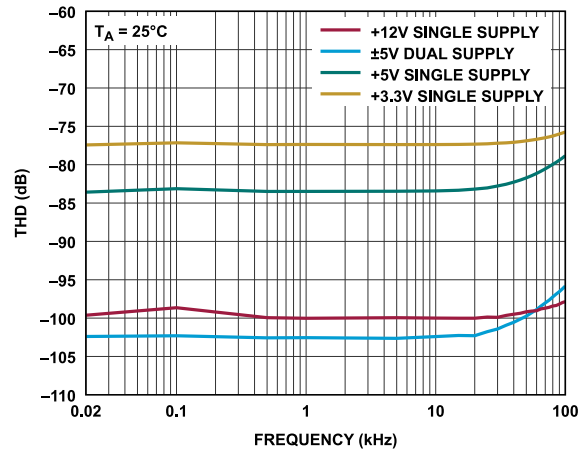


Figure 20. THD vs. Frequency

TYPICAL PERFORMANCE CHARACTERISTICS

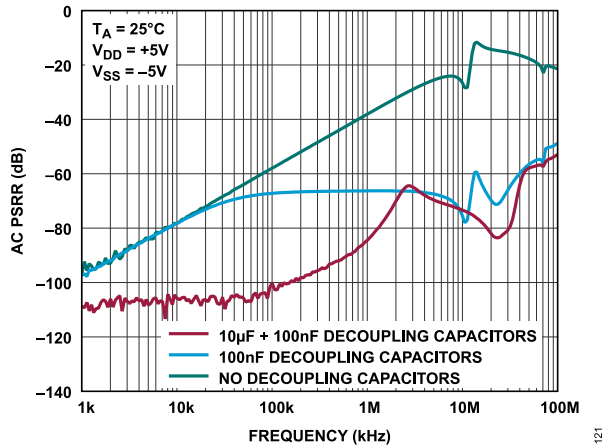


Figure 21. AC PSRR vs. Frequency

TEST CIRCUITS

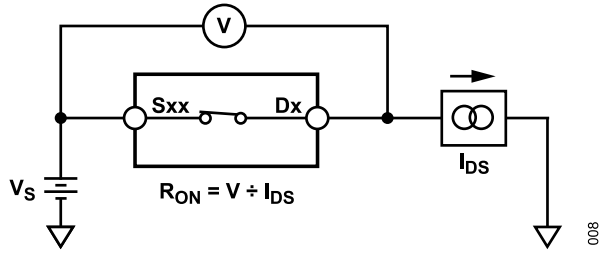


Figure 22. On Resistance

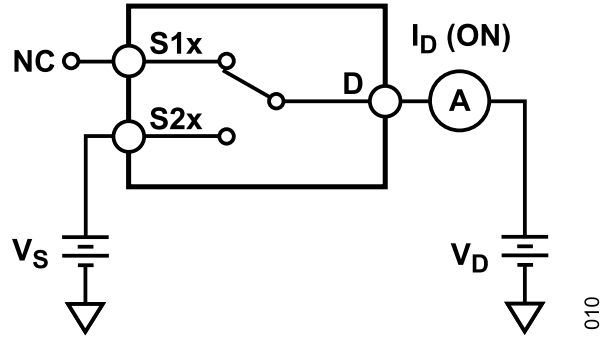


Figure 24. On Leakage

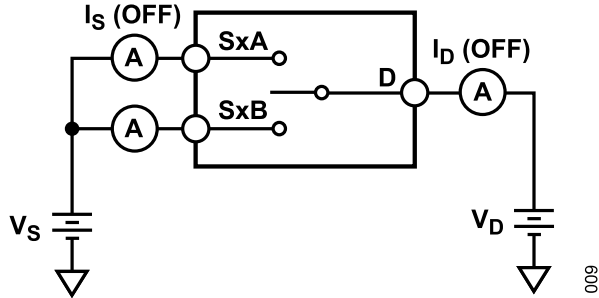


Figure 23. Off Leakage

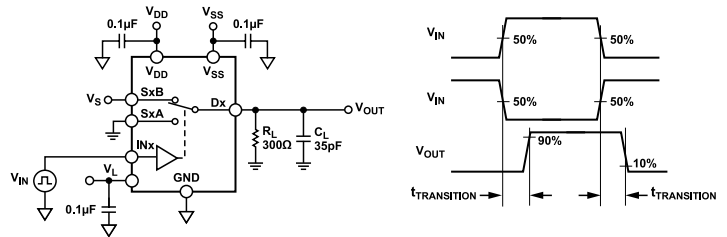


Figure 25. Transition Time,  $t_{\text{TRANSITION}}$  ( $V_{\text{IN}}$  Is the Input Voltage, and  $V_{\text{OUT}}$  Is the Output Voltage.)

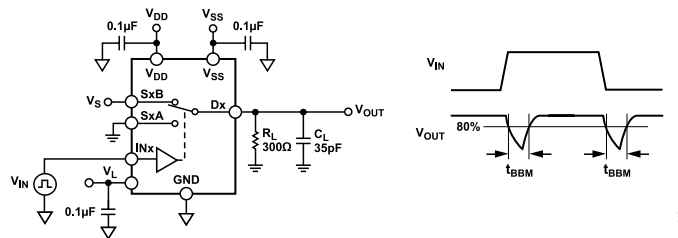


Figure 26. Break-Before-Make Delay,  $t_{\text{BBM}}$

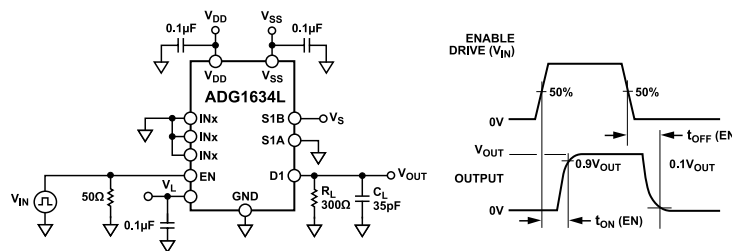


Figure 27. Enable Delay On Time,  $t_{\text{ON}}(\text{EN})$  and Enable Delay Off Time,  $t_{\text{OFF}}(\text{EN})$



TEST CIRCUITS

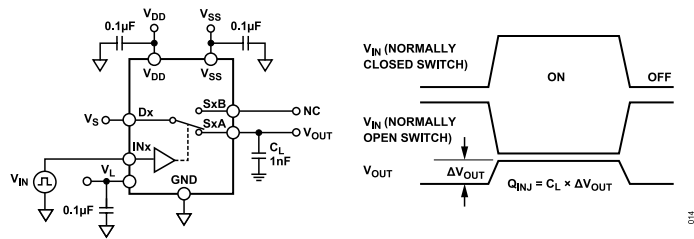


Figure 28. Charge Injection

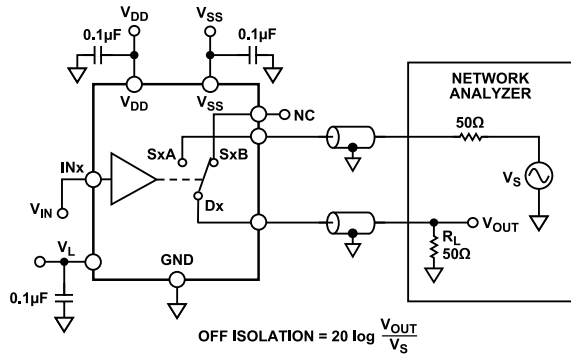


Figure 29. Off Isolation

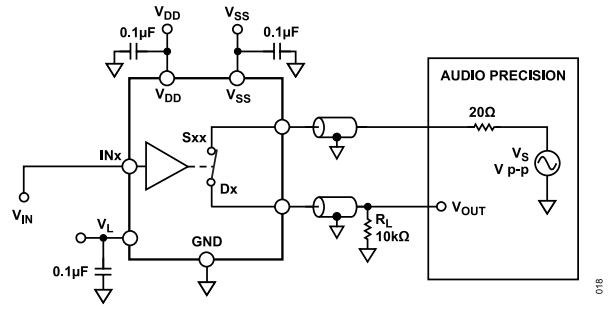


Figure 32. THD + Noise

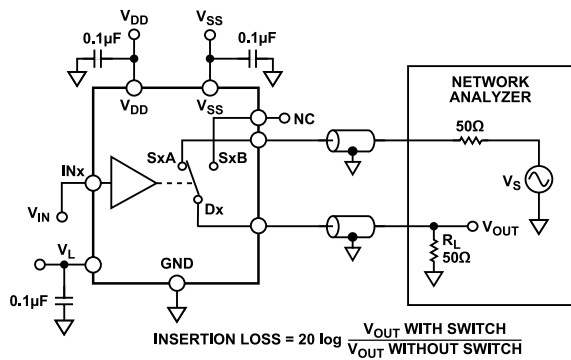


Figure 30. Bandwidth

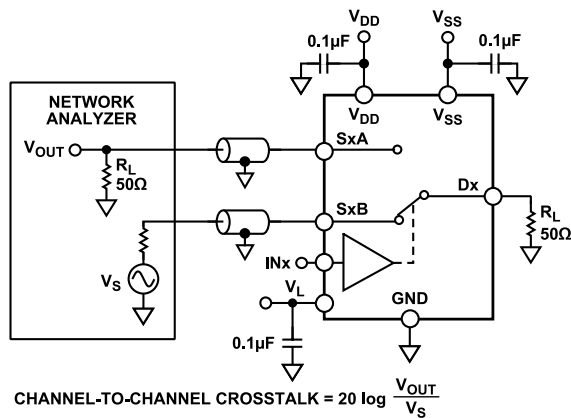


Figure 31. Channel-to-Channel Crosstalk

**TERMINOLOGY** **$R_{ON}$** 

Ohmic resistance between Terminal D and Terminal S.

 **$\Delta R_{ON}$** 

The difference between the  $R_{ON}$  of any two channels.

 **$R_{FLAT(ON)}$** 

The difference between the maximum and minimum value of the on resistance measured.

 **$I_S$  Off**

Source leakage current when the switch is off.

 **$I_D$  Off**

Drain leakage current when the switch is off.

 **$I_D$  (On) and  $I_S$  (On)**

Channel drain and source leakage currents when the switch is on.

 **$V_D$  and  $V_S$** 

Analog voltages on Terminal D and Terminal S.

 **$C_S$  (Off) and  $C_D$  (Off)**

Channel source and drain capacitance for off condition.

 **$C_D$  (On) and  $C_S$  (On)**

On switch drain and source capacitance.

 **$C_{IN}$** 

Digital input capacitance.

 **$t_{ON}$  (EN)**

Enable delay on time between the 50% and 90% points of the digital input and switch on condition.

 **$t_{OFF}$  (EN)**

Enable delay off time between the 50% and 10% points of the digital input and switch off condition.

 **$t_{TRANSITION}$** 

Delay time between the 50% and 90% points of the digital inputs and the switch on condition when switching from one address state to another.

 **$t_{BBM}$** 

Off time measured between the 80% point of both switches when switching from one address state to another.

 **$V_{INL}$** 

Maximum input voltage for Logic 0.

 **$V_{INH}$** 

Minimum input voltage for Logic 1.

 **$I_{INH}$** 

Input high current of the digital input.

 **$I_{INL}$** 

Input low current of the digital input.

 **$I_{DD}$** 

Positive supply current.

 **$I_{SS}$** 

Negative supply current.

 **$I_{VL}$** 

The digital supply current.

**Off Isolation**

A measure of unwanted signal coupling through an off channel.

**Channel-to-Channel Crosstalk**

A measure of unwanted signal coupling through an off switch.

**Charge Injection**

A measure of the glitch impulse transferred from the digital input to the analog output during switching.

**Bandwidth**

The frequency at which the output is attenuated by 3 dB.

**Insertion Loss**

The loss due to the on resistance of the switch.

**Total Harmonic Distortion (THD)**

THD is the ratio of the sum of the powers of all harmonic components to the power of the fundamental frequency.

**Total Harmonic Distortion Plus Noise (THD + N)**

The ratio of the harmonic amplitude plus noise of the signal to the fundamental.

**AC Power Supply Rejection Ratio (AC PSRR)**

A measure of the ability of a device to avoid coupling noise and spurious signals that appear on the supply voltage pin to the output of the switch. The dc voltage on the device is modulated by a sine wave of 0.115 V p-p. The ratio of the amplitude of signal on the output to the amplitude of the modulation is the AC PSRR.

## THEORY OF OPERATIONS

### SWITCH ARCHITECTURE

The ADG1634L is a set of low logic controlled, quad SPDT switches that are compatible with 1.2 V or 1.8 V logic depending on the  $V_L$  input.

### $V_L$ FLEXIBILITY

An external  $V_L$  supply provides flexibility for lower logic levels. The following  $V_L$  conditions must be satisfied for the switch to operate in either 1.2 V or 1.8 V logic operation:

- ▶  $V_L = 1.1\text{ V to }1.3\text{ V}$  for 1.2 V logic
- ▶  $V_L = 1.65\text{ V to }1.95\text{ V}$  for 1.8 V logic

### 1.2 V AND 1.8 V JEDEC COMPLIANCE

The ADG1634L is both 1.2 V and 1.8 V JEDEC standard compliant (normal range) to the digital input threshold. This compliance with the digital input threshold ensures low voltage CMOS logic compatibility when operating with a valid logic power supply range.

Note that the switch digital input requirement for both the 1.2 V and 1.8 V logic levels are the following:

- ▶  $V_{INH} = 0.65 \times V_L$
- ▶  $V_{INL} = 0.35 \times V_L$

### INITIALIZATION TIME

The digital section of the ADG1634L goes through an initialization phase during  $V_{DD}$ ,  $V_{SS}$ , and  $V_L$  power-up. After  $V_{DD}$ ,  $V_{SS}$ , and  $V_L$  power up, ensure that a minimum of 50  $\mu\text{s}$  has passed and that  $V_{DD}$ ,  $V_{SS}$ , and  $V_L$  do not drop before issuing an  $IN_x$  input.

### SWITCHES IN A KNOWN STATE

The switches within the ADG1634L are off when the  $IN_x$  pins are floating, which prevents unwanted signals from passing through these switches. This built-in feature of the ADG1634L eliminates the need to install an external pull-down resistor. The ADG1634L can pull down the floating  $IN_x$  inputs against the leakage currents up to half of the  $I_{INH}$ .

## APPLICATIONS INFORMATION

FIELD PROGRAMMABLE GRID ARRAY (FPGA)  
LOW LOGIC COMPLIANCE

Figure 33 shows a typical application where the ADG1634L is used together with an FPGA or microcontroller. The flexible  $V_L$  pin can be tied to the digital supply voltage ( $V_{CCO}$ ), and the INx input can be tied directly to the digital IOx ports for ease of use.

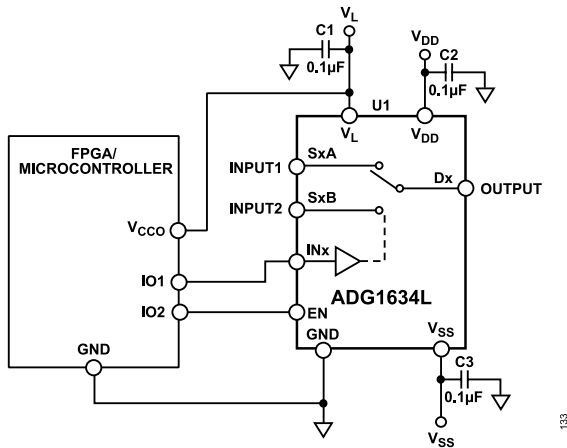


Figure 33. Typical Application

The ADG1634L is 1.2 V and 1.8 V JEDEC standard compliant, which ensures that the logic input specifications,  $V_{INH}$  and  $V_{INL}$ , meet the digital output specifications, minimum  $V_{OH}$  and maximum  $V_{OL}$ , of the FPGA or microcontroller. Common implementations do not guarantee logic level compatibility, which can introduce implementation risks. The ADG1634L eliminates these risks by complying with the widely accepted 1.2 V and 1.8 V logic level standard.

 $V_{OH}$  AND  $V_{OL}$  AND  $V_{INH}$  AND  $V_{INL}$   
RELATIONSHIP

It is recommended to confirm that the logic output high,  $V_{OH}$ , of the FPGA or microcontroller is higher than the input logic high,  $V_{INH}$ . In addition, the logic output low,  $V_{OL}$ , of the FPGA or microcontroller must be lower than the input low,  $V_{INL}$ .

Figure 34 shows the 1.2 V logic compatibility relationship between  $V_{OH}$  and  $V_{OL}$  of the FPGA or the microcontroller with the INx inputs of the ADG1634L,  $V_{INH}$  and  $V_{INL}$ .

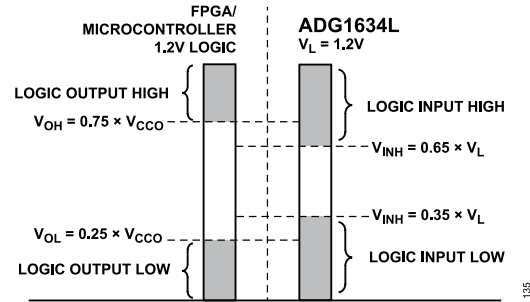


Figure 34. 1.2 V Logic Compatibility Between  $V_{OH}$  and  $V_{OL}$  and  $V_{INH}$  and  $V_{INL}$

Figure 35 shows the 1.8 V logic compatibility relationship between  $V_{OH}$  and  $V_{OL}$  of the FPGA or the microcontroller with the INx inputs of the ADG1634L,  $V_{INH}$  and  $V_{INL}$ .

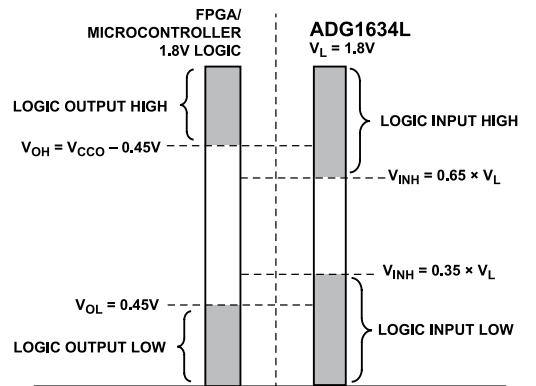


Figure 35. 1.8 V Logic Compatibility Between  $V_{OH}$  and  $V_{OL}$  and  $V_{INH}$  and  $V_{INL}$

## POWER SUPPLY RAILS

To guarantee correct operation of the ADG1634L, a minimum of 0.1  $\mu$ F and 10  $\mu$ F decoupling capacitors are required on the  $V_{DD}$ ,  $V_{SS}$ , and  $V_L$  supply pins.

The ADG1634L can operate with  $V_{DD}$  and  $V_{SS}$  dual supplies between  $\pm 3.3$  V to  $\pm 8$  V. This device can also operate with a  $V_{DD}$  single supply between 3.3 V to 16 V and a  $V_L$  of between 1.1 V to 1.95 V. However, the  $V_{DD}$  to  $V_{SS}$  range must not exceed 18 V, and the  $V_L$  range must not exceed 2.25 V, as stated in the [Absolute Maximum Ratings](#) section.

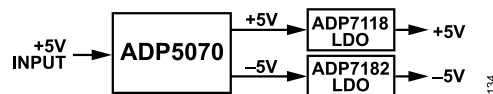
## APPLICATIONS INFORMATION

### POWER SUPPLY RECOMMENDATIONS

Analog Devices, Inc., has a wide range of power management products to meet the requirements of most high performance signal chains.

An example of a symmetrical bipolar power solution is shown in [Figure 36](#). The [ADP5070](#) (dual switching regulator) generates a positive and negative supply rail for the ADG1634L. Also shown in [Figure 36](#) are two optional positive and negative, low dropout

(LDO) regulators, the [ADP7118](#) and [ADP7182](#), respectively, that can reduce the output ripple of the ADP5070 in ultralow noise sensitive applications.



**Figure 36. Bipolar Power Solution**

T34

## OUTLINE DIMENSIONS

Package Drawing (Option)	Package Type	Package Description
CP-24-17	LFCSP	24-Lead Lead Frame Chip Scale Package

For the latest package outline information and land patterns (footprints), go to [Package Index](#).

## ORDERING GUIDE

Model <sup>1</sup>	Temperature Range	Package Description	Package Option	Package Quantity
ADG1634LYCPZ-REEL7	-40°C to +125°C	24-Lead LFCSP	CP-24-17	Reel, 1500

<sup>1</sup> Z = RoHS Compliant Part.

## EVALUATION BOARDS

Model <sup>1</sup>	Description
EVAL-ADG1634LEBZ	Evaluation Board

<sup>1</sup> Z = RoHS Compliant Part.