

FEATURES

44 V supply maximum ratings
V_{SS} to V_{DD} analog signal range
Low on resistance: <35 Ω
Ultralow power dissipation: <35 μW
Fast transition time: 145 ns maximum
Break-before-make switching action
Plug-in replacement for DG419
Supports defense and aerospace applications
(AQEC standard)
Military temperature range: -55°C to +125°C
Controlled manufacturing baseline
One assembly/test site
One fabrication site
Enhanced product change notification
Qualification data available on request

APPLICATIONS

Precision test equipment
Precision instrumentation
Battery-powered systems
Sample-and-hold systems

GENERAL DESCRIPTION

The ADG419-EP is a monolithic CMOS SPDT switch. This switch is fabricated on an enhanced LC²MOS process that provides low power dissipation yet gives high switching speed, low on resistance, and low leakage current.

The on resistance profile of the ADG419-EP is very flat over the full analog input range, ensuring excellent linearity and low distortion. The part also exhibits high switching speed and high signal bandwidth. CMOS construction ensures ultralow power dissipation, making the part ideally suited for portable and battery-powered instruments.

Each switch of the ADG419-EP conducts equally well in both directions when on and has an input signal range that extends to the supplies. In the off condition, signal levels up to the supplies are blocked. The ADG419-EP exhibits break-before-make switching action.

Full details about this enhanced product are available in the [ADG419](#) data sheet, which should be consulted in conjunction with this data sheet.

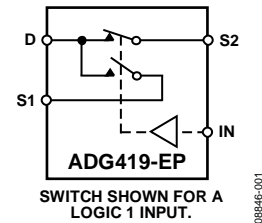
FUNCTIONAL BLOCK DIAGRAM

Figure 1.

PRODUCT HIGHLIGHTS

1. **Extended Signal Range.**
The ADG419-EP is fabricated on an enhanced LC²MOS process, giving an increased signal range that extends to the supply rails.
2. **Ultralow Power Dissipation.**
3. **Low R_{ON}.**
4. **Single-Supply Operation.**
For applications where the analog signal is unipolar, the ADG419-EP can be operated from a single rail power supply. The part is fully specified with a single 12 V power supply and remains functional with single supplies as low as 5 V.

Rev. 0

Information furnished by Analog Devices is believed to be accurate and reliable. However, no responsibility is assumed by Analog Devices for its use, nor for any infringements of patents or other rights of third parties that may result from its use. Specifications subject to change without notice. No license is granted by implication or otherwise under any patent or patent rights of Analog Devices. Trademarks and registered trademarks are the property of their respective owners.

TABLE OF CONTENTS

Features	1	Single Supply	4
Applications	1	Absolute Maximum Ratings	5
Functional Block Diagram	1	ESD Caution.....	5
General Description	1	Pin Configuration and Function Descriptions.....	6
Product Highlights	1	Typical Performance Characteristics	7
Revision History	2	Test Circuits.....	8
Specifications.....	3	Outline Dimensions	10
Dual Supply	3	Ordering Guide	10

REVISION HISTORY

7/10—Revision 0: Initial Version

SPECIFICATIONS

DUAL SUPPLY

$V_{DD} = 15\text{ V} \pm 10\%$, $V_{SS} = -15\text{ V} \pm 10\%$, $V_L = 5\text{ V} \pm 10\%$, $GND = 0\text{ V}$, unless otherwise noted.

Table 1.

Parameter	+25°C	-40°C to +85°C	-55°C to +125°C	Unit	Test Conditions/Comments
ANALOG SWITCH					
Analog Signal Range			V_{SS} to V_{DD}	V	
R_{ON}	25 35	45	45	Ω typ Ω max	$V_D = \pm 12.5\text{ V}$, $I_S = -10\text{ mA}$; see Figure 9 $V_{DD} = +13.5\text{ V}$, $V_{SS} = -13.5\text{ V}$; see Figure 9
LEAKAGE CURRENT					
Source Off Leakage, I_S (Off)	± 0.1 ± 0.25	± 5	± 15	nA typ nA max	$V_{DD} = +16.5\text{ V}$, $V_{SS} = -16.5\text{ V}$ $V_D = \pm 15.5\text{ V}$, $V_S = \mp 15.5\text{ V}$; see Figure 10
Drain Off Leakage, I_D (Off)	± 0.1 ± 0.75	± 5	± 30	nA typ nA max	$V_D = \pm 15.5\text{ V}$, $V_S = \mp 15.5\text{ V}$; see Figure 10
Channel On Leakage, I_D , I_S (On)	± 0.4 ± 0.75	± 5	± 30	nA typ nA max	$V_S = V_D = \pm 15.5\text{ V}$; see Figure 11
DIGITAL INPUTS					
Input High Voltage, V_{INH}		2.4	2.4	V min	
Input Low Voltage, V_{INL}		0.8	0.8	V max	
Input Current, I_{INL} or I_{INH}		± 0.005 ± 0.5	± 0.005 ± 0.5	μA typ μA max	$V_{IN} = V_{INL}$ or V_{INH}
DYNAMIC CHARACTERISTICS¹					
$t_{TRANSITION}$	145	200	200	ns max	$R_L = 300\ \Omega$, $C_L = 35\text{ pF}$; $V_{S1} = \pm 10\text{ V}$, $V_{S2} = \mp 10\text{ V}$; see Figure 12
Break-Before-Make Time Delay, t_D	30			ns typ	$R_L = 300\ \Omega$, $C_L = 35\text{ pF}$; $V_{S1} = V_{S2} = \pm 10\text{ V}$; see Figure 13
Off Isolation	5 80			ns min dB typ	$R_L = 50\ \Omega$, $f = 1\text{ MHz}$; see Figure 14
Channel-to-Channel Crosstalk	90			dB typ	$R_L = 50\ \Omega$, $f = 1\text{ MHz}$; see Figure 15
C_S (Off)	6			pF typ	$f = 1\text{ MHz}$
C_D , C_S (On)	55			pF typ	$f = 1\text{ MHz}$
POWER REQUIREMENTS					
I_{DD}	0.0001 1			μA typ μA max	$V_{DD} = +16.5\text{ V}$, $V_{SS} = -16.5\text{ V}$ $V_{IN} = 0\text{ V}$ or 5 V
I_{SS}	0.0001 1	2.5	2.5	μA typ μA max	
I_L	0.0001 1	2.5	2.5	μA typ μA max	$V_L = 5.5\text{ V}$

¹ Guaranteed by design; not subject to production test.

ADG419-EP

SINGLE SUPPLY

$V_{DD} = 12\text{ V} \pm 10\%$, $V_{SS} = 0\text{ V}$, $V_L = 5\text{ V} \pm 10\%$, $GND = 0\text{ V}$, unless otherwise noted.

Table 2.

Parameter	+25°C	-40°C to +85°C	-55°C to +125°C	Unit	Test Conditions/Comments
ANALOG SWITCH					
Analog Signal Range			0 to V_{DD}	V	
R_{ON}	40	60	70	Ω typ Ω max	$V_D = 3\text{ V}, 8.5\text{ V}, I_S = -10\text{ mA}$; see Figure 9 $V_{DD} = 10.8\text{ V}$; see Figure 9
LEAKAGE CURRENT					
Source Off Leakage, I_S (Off)	± 0.1			nA typ	$V_{DD} = 13.2\text{ V}$ $V_D = 12.2\text{ V}/1\text{ V}, V_S = 1\text{ V}/12.2\text{ V}$; see Figure 10
Drain Off Leakage, I_D (Off)	± 0.1	± 5	± 15	nA max	
Channel On Leakage, I_D, I_S (On)	± 0.1	± 5	± 30	nA typ	$V_D = 12.2\text{ V}/1\text{ V}, V_S = 1\text{ V}/12.2\text{ V}$; see Figure 10
	± 0.75	± 5	± 30	nA max	$V_S = V_D = 12.2\text{ V}/1\text{ V}$; see Figure 11
	± 0.4	± 5	± 30	nA typ	
	± 0.75	± 5	± 30	nA max	
DIGITAL INPUTS					
Input High Voltage, V_{INH}		2.4	2.4	V min	
Input Low Voltage, V_{INL}		0.8	0.8	V max	
Input Current, I_{INL} or I_{INH}		± 0.005	± 0.005	μA typ	$V_{IN} = V_{INL}$ or V_{INH}
		± 0.5	± 0.5	μA max	
DYNAMIC CHARACTERISTICS¹					
$t_{TRANSITION}$	170	250	250	ns max	$R_L = 300\ \Omega, C_L = 35\text{ pF}; V_{S1} = 0\text{ V}/8\text{ V}, V_{S2} = 8\text{ V}/0\text{ V}$; see Figure 12
Break-Before-Make Time Delay, t_D	60			ns typ	$R_L = 300\ \Omega, C_L = 35\text{ pF}; V_{S1} = V_{S2} = 8\text{ V}$; see Figure 13
Off Isolation	80			dB typ	$R_L = 50\ \Omega, f = 1\text{ MHz}$; see Figure 14
Channel-to-Channel Crosstalk	70			dB typ	$R_L = 50\ \Omega, f = 1\text{ MHz}$; see Figure 15
C_S (Off)	13			pF typ	$f = 1\text{ MHz}$
C_D, C_S (On)	65			pF typ	$f = 1\text{ MHz}$
POWER REQUIREMENTS					
I_{DD}	0.0001			μA typ	$V_{DD} = 13.2\text{ V}$ $V_{IN} = 0\text{ V}$ or 5 V
	1	2.5	2.5	μA max	
I_L	0.0001			μA typ	$V_L = 5.5\text{ V}$
	1	2.5	2.5	μA max	

¹ Guaranteed by design; not subject to production test.

ABSOLUTE MAXIMUM RATINGS

$T_A = 25^\circ\text{C}$, unless otherwise noted.

Table 3.

Parameter	Rating
V_{DD} to V_{SS}	44 V
V_{DD} to GND	-0.3 V to +25 V
V_{SS} to GND	+0.3 V to -25 V
V_L to GND	-0.3 V to $V_{DD} + 0.3$ V
Analog, Digital Inputs ¹	$V_{SS} - 2$ V to $V_{DD} + 2$ V or 30 mA, whichever occurs first
Continuous Current, Sx or D	30 mA
Peak Current, Sx or D (Pulsed at 1 ms, 10% Duty Cycle Maximum)	100 mA
Operating Temperature Range	-55°C to +125°C
Storage Temperature Range	-65°C to +150°C
Junction Temperature	150°C
Power Dissipation (MSOP)	315 mW
Thermal Impedance, θ_{JA}	205°C/W
Lead Temperature, Soldering	As per JEDEC J-STD-020

¹ Overvoltages at IN, Sx, or D are clamped by internal diodes. Limit current to the maximum ratings given.

Stresses above those listed under Absolute Maximum Ratings may cause permanent damage to the device. This is a stress rating only; functional operation of the device at these or any other conditions above those indicated in the operational section of this specification is not implied. Exposure to absolute maximum rating conditions for extended periods may affect device reliability.

Only one maximum rating may be applied at any one time.

ESD CAUTION



ESD (electrostatic discharge) sensitive device. Charged devices and circuit boards can discharge without detection. Although this product features patented or proprietary protection circuitry, damage may occur on devices subjected to high energy ESD. Therefore, proper ESD precautions should be taken to avoid performance degradation or loss of functionality.

ADG419-EP

PIN CONFIGURATION AND FUNCTION DESCRIPTIONS

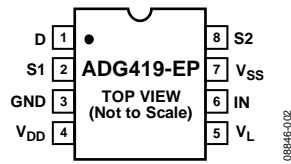


Figure 2. Pin Configuration

Table 4. Pin Function Descriptions

Pin No.	Mnemonic	Description
1	D	Drain Terminal. Can be an input or an output.
2	S1	Source Terminal. Can be an input or an output.
3	GND	Ground Reference (0 V).
4	V _{DD}	Most Positive Power Supply Potential.
5	V _L	Logic Power Supply (5 V).
6	IN	Logic Control Input.
7	V _{SS}	Most Negative Power Supply Potential in Dual-Supply Applications. In single-supply applications, this pin can be connected to GND.
8	S2	Source Terminal. Can be an input or an output.

Table 5. Truth Table

Logic	Switch 1	Switch 2
0	On	Off
1	Off	On

TYPICAL PERFORMANCE CHARACTERISTICS

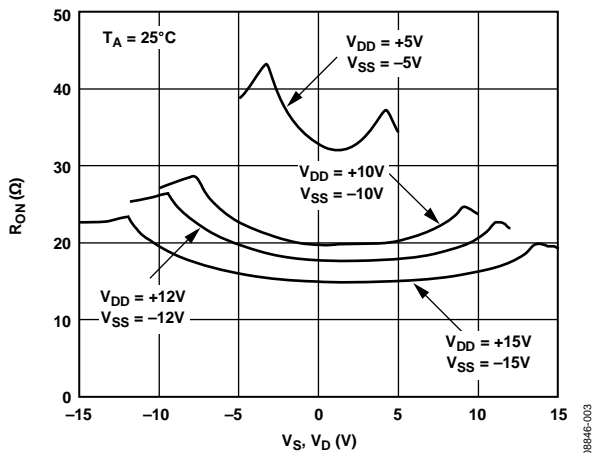


Figure 3. R_{ON} as a Function of V_D (V_S), Dual-Supply Voltage

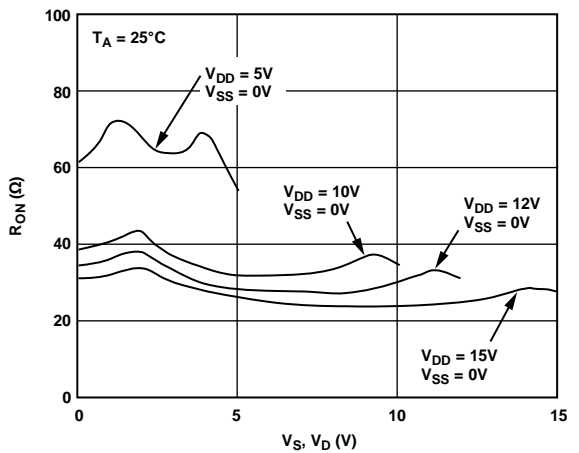


Figure 6. R_{ON} as a Function of V_D (V_S), Single-Supply Voltage

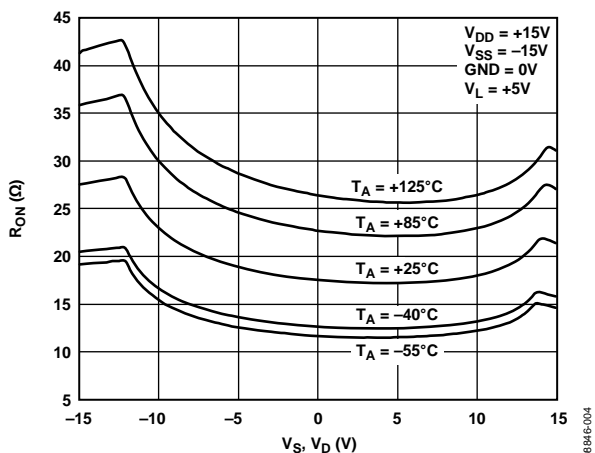


Figure 4. R_{ON} as a Function of V_D (V_S) for Different Temperatures, Dual-Supply Voltage

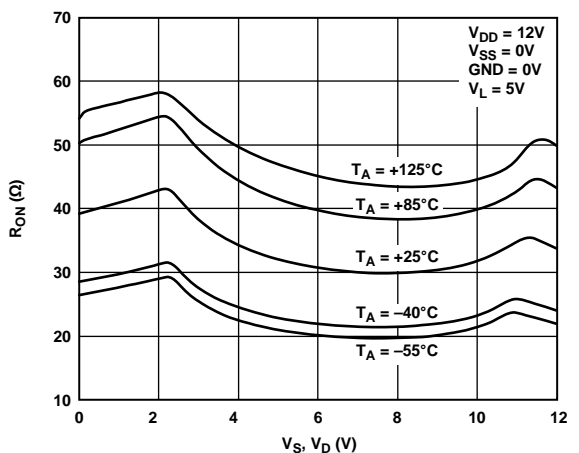


Figure 7. R_{ON} as a Function of V_D (V_S) for Different Temperatures, Single-Supply Voltage

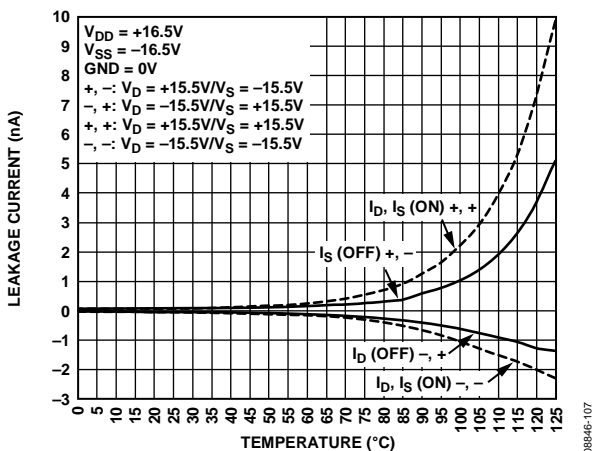


Figure 5. Leakage Current vs. Temperature, Dual-Supply Voltage

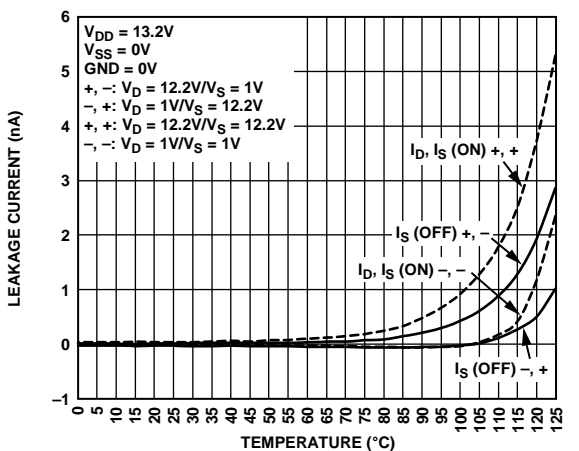


Figure 8. Leakage Current vs. Temperature, Single-Supply Voltage

TEST CIRCUITS

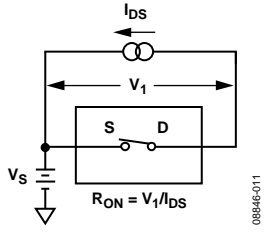


Figure 9. On Resistance

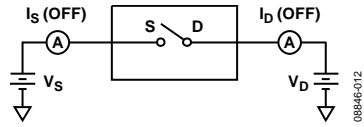


Figure 10. Off Leakage

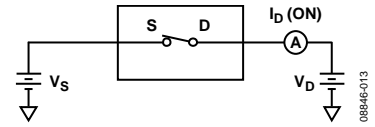


Figure 11. On Leakage

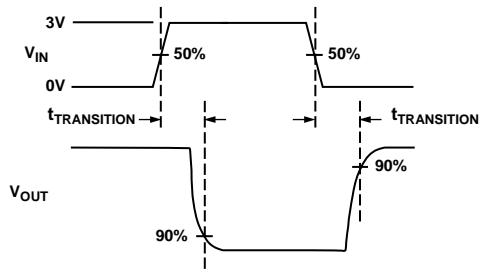
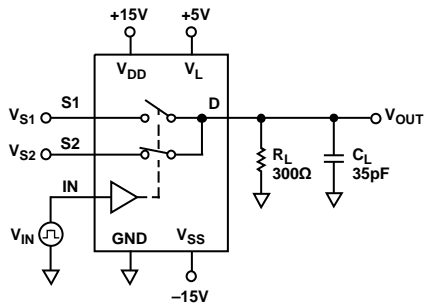


Figure 12. Transition Time, $t_{\text{TRANSITION}}$

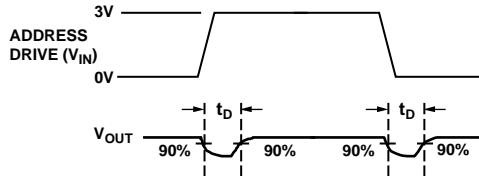
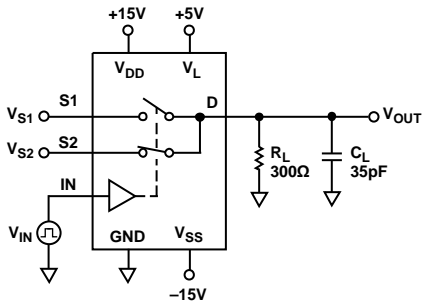
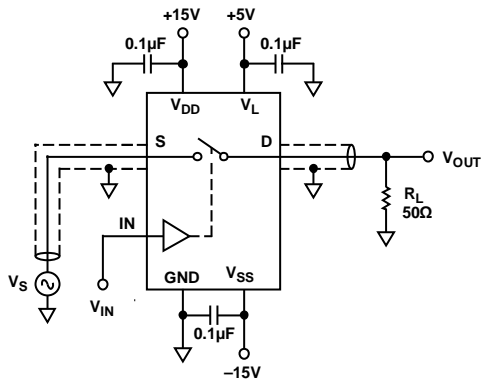
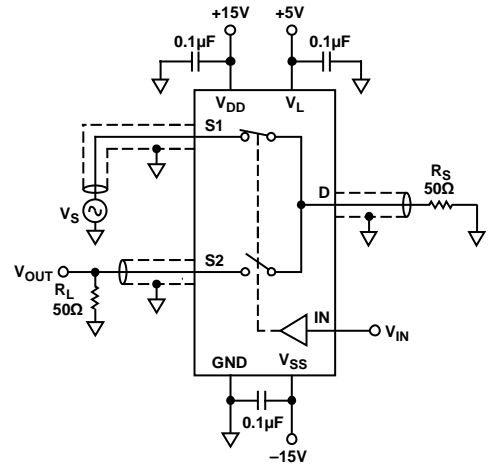


Figure 13. Break-Before-Make Time Delay, t_D



08846-016

Figure 14. Off Isolation



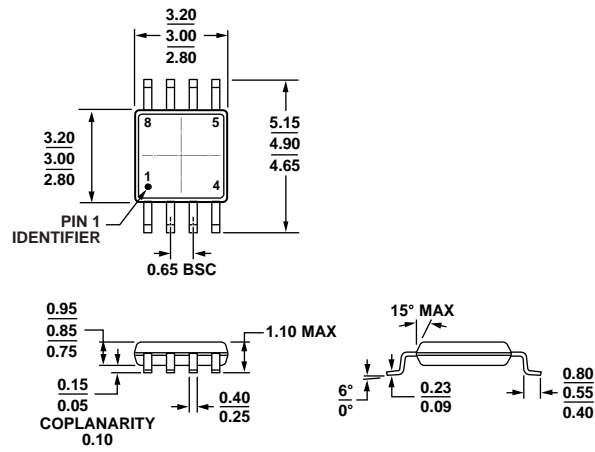
CHANNEL-TO-CHANNEL CROSSTALK = $20 \times \log |V_S/V_{OUT}|$

08846-017

Figure 15. Crosstalk

ADG419-EP

OUTLINE DIMENSIONS



COMPLIANT TO JEDEC STANDARDS MO-187-AA

Figure 16. 8-Lead Mini Small Outline Package [MSOP] (RM-8)

Dimensions shown in millimeters

1000705-B

ORDERING GUIDE

Model ¹	Temperature Range	Package Description	Package Option	Branding
ADG419SRMZ-EP-RL7	-55°C to +125°C	8-Lead Mini Small Outline Package [MSOP]	RM-8	S3U

¹ Z = RoHS Compliant Part.

NOTES

ADG419-EP

NOTES