



An Infineon Technologies Company

ADM7008

Octal Ethernet 10/100M PHY

Datasheet

Version 1.3

Infineon-ADMtek Co Ltd.com.tw

Information in this document is provided in connection with Infineon-ADMtek Co Ltd products. Infineon-ADMtek Co Ltd may make changes to specifications and product descriptions at any time, without notice. Designers must not rely on the absence or characteristics of any features or instructions marked “reserved” or “undefined”. Infineon-ADMtek Co Ltd reserves these for future definition and shall have no responsibility whatsoever for conflicts or incompatibilities arising from future changes to them

The products may contain design defects or errors know as errata, which may cause the product to deviate from published specifications. Current characterized errata are available on request. To obtain latest documentation please contact you local Infineon-ADMtek Co Ltd sales office or visit Infineon-ADMtek Co Ltd’s website at

<http://www.ADMtek.com.tw>

*Third-party brands and names are the property of their respective owners.

About this Manual

Intended Audience

Infineon-ADMtek Co Ltd's Customers

Structure

This Data sheet contains 6 chapters

- Chapter 1 Product Overview
- Chapter 2 Interface Description
- Chapter 3 Function Description
- Chapter 4. Register Description
- Chapter 5. Electrical Specification
- Chapter 6. Packaging

Revision History

Date	Version	Change
23 January 2003	1.0	First release of ADM7008
28 October 2003	1.1	Updated Chapters 2, 3, & 4
27 November 2003	1.2	Updated Chapter 2*
28 April 2004	1.3	Updated Infineon Infineon-ADMtek Co Ltd logo

* Detailed updates can be supplied on request.

Customer Support

Infineon-ADMtek Co Ltd Incorporated,
2F, No.2, Li-Hsin Rd.,
Science-based Industrial Park,
Hsinchu, 300, Taiwan, R.O.C.

Sales Information

Tel + 886-3-5788879
Fax + 886-3-5788871

Table of Contents

Chapter 1 Product Overview	1-1
1.1 Overview	1-1
1.2 Features	1-1
1.3 Block Diagram	1-2
1.4 Abbreviations	1-3
1.5 Conventions	1-4
1.5.1 Data Lengths	1-4
1.5.2 Register Type Descriptions	1-4
1.5.3 Pin Type Descriptions	1-5
Chapter 2 Interface Description	2-1
2.1 Pin Diagram	2-1
2.2 Pin Description	2-2
2.2.1 Twisted Pair Interface, 32 pins	2-2
2.2.2 Ground and Power, 20 pins	2-2
2.2.3 Mode Setting	2-2
2.2.4 Clock Input Select	2-3
2.2.5 Clock Input, 3 pins	2-3
2.2.6 RMII/SMII Interface, 48 pins	2-3
2.2.7 ATPG Signals, 2 pins	2-16
2.2.8 Reset Pin	2-16
2.2.9 Control Signals, 3 pins	2-17
2.2.10 LED Interface, 2 pins	2-17
2.2.11 Regulator Control, 2 pins	2-17
Chapter 3 Function Description	3-1
3.1 10/100M PHY Block	3-2
3.1.1 100Base-X Module	3-2
3.1.2 100Base-TX Receiver	3-2
3.1.3 100Base-TX Transmitter	3-7
3.1.4 100Base-FX Receiver	3-7
3.1.5 100Base-FX Transmitter	3-8
3.1.6 10Base-T Module	3-8
3.1.7 Operation Modes	3-8
3.1.8 Manchester Encoder/Decoder	3-8
3.1.9 Transmit Driver and Receiver	3-8
3.1.10 Smart Squelch	3-9
3.1.11 Carrier Sense	3-9
3.1.12 Collision Detection	3-10
3.1.13 Jabber Function	3-10
3.1.14 Link Test Function	3-10
3.1.15 Automatic Link Polarity Detection	3-11
3.1.16 Clock Synthesizer	3-11
3.1.17 Auto Negotiation	3-11
3.1.18 Auto Negotiation and Speed Configuration	3-12
3.2 MAC Interface	3-13
3.2.1 Reduced Media Independent Interface (RMII)	3-13

3.2.2	<i>Receive Path for 100M</i>	3-13
3.2.3	<i>Receive Path for 10M</i>	3-14
3.2.4	<i>Transmit Path for 100M</i>	3-15
3.2.5	<i>Transmit Path for 10M</i>	3-15
3.2.6	<i>Serial and Source Synchronous Media Independent Interface</i>	3-16
3.2.7	<i>100M Receive Path</i>	3-17
3.2.8	<i>10M Receive Path</i>	3-18
3.2.9	<i>100M Transmit Path</i>	3-19
3.2.10	<i>10M Transmit Path</i>	3-19
3.3	LED Display.....	3-20
3.3.1	<i>Single Color LED</i>	3-20
3.3.2	<i>Dual Color LED</i>	3-21
3.3.3	<i>Serial Output LED Status</i>	3-22
3.4	Management Register Access.....	3-22
3.4.1	<i>Preamble Suppression</i>	3-22
3.4.2	<i>Reset Operation</i>	3-23
3.5	Power Management.....	3-24
3.5.1	<i>Medium Detect Power Saving</i>	3-24
3.5.2	<i>Transmit Power Saving</i>	3-24
3.6	Voltage Regulator.....	3-26
Chapter 4 Register Description		4-1
4.1	Register Mapping.....	4-1
4.2	Register Bit Mapping.....	4-2
4.2.1	<i>Register #0h -- Control Register</i>	4-2
4.2.2	<i>Register #1h -- Status Register</i>	4-2
4.2.3	<i>Register #2h -- PHY ID Register (002E)</i>	4-2
4.2.4	<i>Register #3h -- PHY ID Register (CC11)</i>	4-2
4.2.5	<i>Register #4h -- Advertisement Register</i>	4-2
4.2.6	<i>Register #5h -- Link Partner Ability Register</i>	4-2
4.2.7	<i>Register #6h -- Auto Negotiation Expansion Register</i>	4-2
4.2.8	<i>Register #7h -- # Fh Reserved</i>	4-2
4.2.9	<i>Register #10h -- PHY Configuration Register</i>	4-2
4.2.10	<i>Register #11h -- 10M Configuration Register</i>	4-3
4.2.11	<i>Register #12h -- 100M Configuration Register</i>	4-3
4.2.12	<i>Register #13h -- LED Configuration Register</i>	4-3
4.2.13	<i>Register #14h -- Interrupt Enable Register</i>	4-3
4.2.14	<i>Register #16h -- PHY Generic Status Register</i>	4-3
4.2.15	<i>Register #17h -- PHY Specific Status Register</i>	4-3
4.2.16	<i>Register #18h -- Recommend Value Storage Register</i>	4-3
4.2.17	<i>Register #19h -- Interrupt Status Register</i>	4-3
4.2.18	<i>Register #1dh -- Receive Error Counter</i>	4-4
4.2.19	<i>Register #1eh -- Chip ID (8888)</i>	4-4
4.2.20	<i>Register #1fh -- Total Interrupt Status (only For Port 0)</i>	4-4
4.3	Register Description.....	4-4
4.3.1	<i>Control (Register 0h)</i>	4-4
4.3.2	<i>Status (Register 1h)</i>	4-6

4.3.3	<i>PHY Identifier Register (Register 2h)</i>	4-8
4.3.4	<i>PHY Identifier Register (Register 3h)</i>	4-8
4.3.5	<i>Advertisement (Register 4h)</i>	4-8
4.3.6	<i>Auto Negotiation Link Partner Ability (Register 5h)</i>	4-10
4.3.7	<i>Auto Negotiation Expansion Register (Register 6h)</i>	4-11
4.3.8	<i>Register Reserved (Register 7h-Fh)</i>	4-11
4.3.9	<i>Generic PHY Configuration Register (Register 10h)</i>	4-11
4.3.10	<i>PHY 10M Module Configuration Register (Register 11h)</i>	4-12
4.3.11	<i>PHY 100M Module Control Register (Register 12h)</i>	4-12
4.3.12	<i>LED Configuration Register (Register 13h)</i>	4-13
4.3.13	<i>Interrupt Enable Register (Register 14h)</i>	4-14
4.3.14	<i>PHY Generic Status Register (Register 16h)</i>	4-15
4.3.15	<i>PHY Specific Status Register (Register 17h)</i>	4-16
4.3.16	<i>PHY Recommend Value Status Register (Register 18h)</i>	4-17
4.3.17	<i>Interrupt Status Register (Register 19h)</i>	4-18
4.3.18	<i>Receive Error Counter Register (Register 1Dh)</i>	4-18
4.3.19	<i>Chip ID Register (Register 1Fh)</i>	4-19
4.3.20	<i>Per port Interrupt and Revision ID Register (Register 1Eh)</i>	4-19
Chapter 5 Electrical Specification		5-1
5.1	DC Characterization.....	5-1
5.1.1	<i>Absolute Maximum Rating</i>	5-1
5.1.2	<i>Recommended Operating Conditions</i>	5-1
5.1.3	<i>DC Electrical Characteristics for 3.3V Operation</i>	5-1
5.2	AC Characterization.....	5-2
5.2.1	<i>XI/OSCI (Crystal/Oscillator) Timing</i>	5-2
5.3	RMII Timing.....	5-3
5.3.1	<i>REFCLK Input Timing (When REFCLK_SEL is set to 1)</i>	5-3
5.3.2	<i>REFCLK Output Timing (When REFCLK_SEL is set to 0)</i>	5-4
5.3.3	<i>RMII Transmit Timing</i>	5-5
5.3.4	<i>RMII Receive Timing</i>	5-6
5.4	SMII Clock Timing.....	5-7
5.4.1	<i>REFCLK Input Timing (When REFCLK_SEL is set to 1) -</i>	5-7
5.4.2	<i>REFCLK Output Timing (When REFCLK_SEL is set to 1)</i>	5-8
5.4.3	<i>SMII/SS_SMII Transmit Timing</i>	5-9
5.4.4	<i>SMII/SS_SMII Receive Timing</i>	5-10
5.5	Serial Management Interface (MDC/MDIO) Timing.....	5-11
5.6	Power On Configuration Timing	5-12
Chapter 6 Packaging		6-1

List of Figures

Figure 1-1 ADM7008 Block Diagram.....	1-2
Figure 2-1 ADM7008 Pin Assignment.....	2-1
Figure 3-1 ADM7008 Switch Application (10/100M TP Mode).....	3-1
Figure 3-2 100Base-X Block Diagram and Data Path.....	3-3
Figure 3-3 10Base-T Block Diagram and Data Path.....	3-10
Figure 3-4 RMII Signal Diagram.....	3-13
Figure 3-5 RMII Reception Without Error.....	3-14
Figure 3-6 10M RMII Receive Diagram.....	3-14
Figure 3-7 100M RMII Transmit Diagram.....	3-15
Figure 3-8 10M RMII Transmit Diagram.....	3-15
Figure 3-9 SMII Signal Diagram.....	3-17
Figure 3-10 SS_SMII Signal Diagram.....	3-17
Figure 3-11 100M SMII Receive Timing Diagram.....	3-17
Figure 3-12 100M SS_SMII Receive Timing Diagram.....	3-17
Figure 3-13 10M SMII Receive Timing Diagram.....	3-18
Figure 3-14 10M SS_SMII Receive Timing Diagram.....	3-18
Figure 3-15 100M SMII Transmit Timing Diagram.....	3-19
Figure 3-16 100M SS_SMII Transmit Timing Diagram.....	3-19
Figure 3-17 10M SMII Transmit Timing Diagram.....	3-19
Figure 3-18 10M SS_SMII Transmit Timing Diagram.....	3-20
Figure 3-19 Stream LED under RMII Mode.....	3-22
Figure 3-20 SMI Read Operation.....	3-23
Figure 3-21 SMI Write Operation.....	3-23
Figure 3-22 Medium Detect Power Management Flow Chart.....	3-25
Figure 3-23 Low Power Link Pulse during TX for Power Management.....	3-26
Figure 3-24 External PNP Power Transistor Diagram.....	3-27
Figure 5-1 Crystal/Oscillator Timing.....	5-2
Figure 5-2 REFCLK Input Timing.....	5-3
Figure 5-3 REFCLK Output Timing.....	5-4
Figure 5-4 RMII Transmit Timing.....	5-5
Figure 5-5 RMII Receive Timing.....	5-6
Figure 5-6 REFCLK Input Timing.....	5-7
Figure 5-7 SMII/SS_SMII REFCLK Output Timing.....	5-8
Figure 5-8 SMII/SS_SMII Transmit Timing.....	5-9
Figure 5-9 SMII/SS_SMII Receive Timing.....	5-10
Figure 5-10 Serial Management Interface (MDC/MDIO) Timing.....	5-11
Figure 5-11 Power On Configuration Timing.....	5-12

List of Tables

Table 3-1 Look-up Table for translating 5B Symbols into 4B Nibbles.....	3-5
Table 3-2 Channel Configuration	3-16
Table 3-3 Receive Data Encoding for SMII/SS_SMII mode	3-18
Table 3-4 Speed LED Display	3-20
Table 3-5 Duplex LED Display	3-21
Table 3-6 Activity/Link LED Display	3-21
Table 3-7 Speed LED Display	3-21
Table 3-8 Activity/Link LED Display	3-21
Table 5-1 Electrical Absolute Maximum Rating.....	5-1
Table 5-2 Recommended Operating Conditions.....	5-1
Table 5-3 DC Electrical Characteristics for 3.3V Operation.....	5-1
Table 5-4 Crystal/Oscillator Timing.....	5-2
Table 5-5 REFCLK Input Timing.....	5-3
Table 5-6 REFCLK Output Timing.....	5-4
Table 5-7 RMII Transmit Timing.....	5-5
Table 5-8 RMII Receive Timing.....	5-6
Table 5-9 REFCLK Input Timing.....	5-7
Table 5-10 SMII/SS_SMII REFCLK Output Timing	5-8
Table 5-11 SMII/SS_SMII Transmit Timing	5-9
Table 5-12 SMII/SS_SMII Receive Timing.....	5-10
Table 5-13 Serial Management Interface (MDC/MDIO) Timing	5-11
Table 5-14 Power On Configuration Timing.....	5-12

Chapter 1 Product Overview

1.1 Overview

The ADM7008 is a single chip eight port 10/100M PHY, which is designed for today's low cost and low power dual speed application.

It supports eight auto sensing 10/100 Mbps ports with on-chip clock recovery and base line wander correction including integrated MLT-3 functionality for 100 Mbps operation. It also supports Manchester Code Converter with on chip clock recovery circuitry for 10 Mbps functionality, provides Reduced MII (RMII), Serial MII (SMII) and Source Synchronous MII (SS_SMII) interface to facilitate high port count switch system application and reduce the pin number simultaneously.

For today's Information Application (IA), ADM7008 also supports "Auto Cross Over Detection" function to eliminate the technical barrier between networking and the end user. With the aid of this auto cross over detection function, Plug-n-Play features can be easily applied to IA relative products.

The major design goal for ADM7008 is to reduce the power consumption and system radiation for the whole system. With the aid of this low power consumption and low radiation chip, fan and on-system power supply can be removed to save the total manufacture cost and make SOHO application achievable.

1.2 Features

- IEEE 802.3 compatible (2000 edition) 10BASE-T and 100BASE-T physical layer interface and ANSI X3.263 TP-PMD compatible transceiver.
- Eight-port, single chip, integrated physical layer and transceivers for 10BASE-T and 100BASE-TX function.
- Reduced MII (RMII), Serial MII (SMII) and Source Synchronous MII (SS_SMII) for high port count switch.
- Built-in 10Mbit transmit filter.
- 10 Mbit PLL, exceeding tolerances for both preamble and data jitter.
- 100Mbit PLL, combined with the digital adaptive equalizer and performance exceeds 140 meters for UTP 5.
- 125MHz Clock Generator and Timing Recovery.
- Integrated Base Line Wander Correction.
- Carrier Integrity Monitor function supported.
- Supports Auto Cross Over Detection function for Plug-and-Play.
- IEEE 802.3u Clause 28 compliant auto negotiation for full 10 Mbps and 100 Mbps control.
- Supports programmable LED for different Switch Application and Power On LED Self Test.

- Supports PECL interface for fiber connection.
- Built-in 3.3V to 1.8V Regulator Control Signal.
- Built-in Clock Generator and Power On Reset Signal to save system cost.
- 128 PQFP with 1.8V/3.3V Power Supply.
- Support Power saving function.
- Support Parallel/Serial LED output.

1.3 Block Diagram

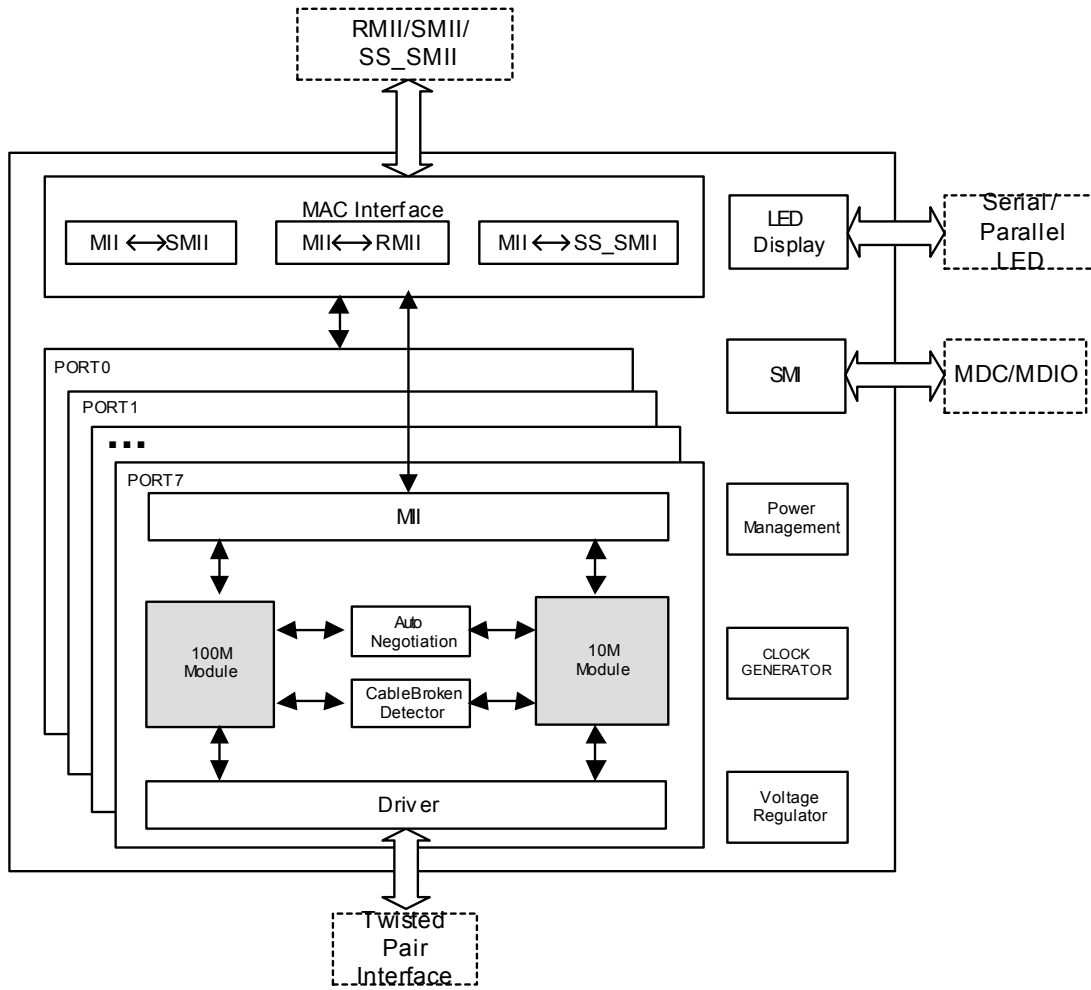


Figure 1-1 ADM7008 Block Diagram

1.4 Abbreviations

ANSI	American National Standards Institute
BER	Bit Error Rate
COL	Collision
CRS	Carrier Sense
CRSDV	Carrier Sense and Data Valid
CTL	Crystal
DSP	Digital Signal Processor
DUPCOL	Duplex and Collision
ESD	End of Stream Delimiter
FEFI	Far End Fault Indication
FIFO	First In First Out
FLP	Fast Link Pulse
FX	Fiber
IA	Information Application
LFSR	Linear Feedback Shifter Register
LLP	Low-power Link Pulse
LNKACT	Link and Activity
LVTTL	TTL Level
MAC	Media Access Controller
MD	Medium Detect
MDC	Management Data Clock
MDIO	Management Data Input/Output
MII	Media Independent Interface
NRZ	None Return to Zero
NRZI	None Return to Zero Inverter
OP	Operation Code
PCS	Physical Coding Sub-layer
PECL	Pseudo Emitter Couple Logic
PHY	Physical Layer
PHYADDR	PHY Address
PMA	Physical Medium Attachment
PMD	Physical Medium Dependent
PNP	A type of Transistor
PQFP	Plastic Quad Flat Pack
REFCLK	Reference Clock
RF	Remote Fault
RMII	Reduced Media Independent Interface
RSMODE	RMII/SMII/SS_SMII Mode Select
RXC	Receive Clock
RXD	Receive Data
RXDV	Receive Data Valid
RXER	Receive Data Error
RXN	Receive Negative (Analog receive differential signal)

RXP	Receive Positive (Analog receive differential signal)
RX_SYNC	Receive Synchronous
SDN	Signal Detect Negative (Fiber signal detect)
SDP	Signal Detect Positive (Fiber signal detect)
SELFX	Select Fiber
SMI	Serial Management Interface
SMII	Serial Media Independent Interface
SOHO	Small Office and Home Office
SQE	Signal Quality Error
SSD	Start of Stream Delimiter
SS_SMII	Source Synchronous Media Independent Interface
SYNC	Synchronous
TA	Turn Around
TDR	Time Domain Reflectometry
TP	Twisted Pair
TP-PMD	Twisted Pair Physical Medium Dependent
TTL	Transistor Transistor Logic
TXC	Transmission Clock (MII)
TXCLK	Transmission Clock (SMII/SS_SMII)
TXD	Transmission Data
TXEN	Transmission Enable
TXER	Transmission Error
TXN	Transmission Negative
TXP	Transmission Positive
/J/K	5B signal to detect the start of a frame
/T/R	5B signal to detect the end of a frame

1.5 Conventions

1.5.1 Data Lengths

qword	64-bits
dword	32-bits
word	16-bits
byte	8 bits
nibble	4 bits

1.5.2 Register Type Descriptions

<i>Register Type</i>	<i>Description</i>
RO	Read Only
R/W	Read and Write capable
SC	Self-clearing
LL	Latching low, unlatch on read

LH	Latching high, unlatch on read
COR	Clear On Read

1.5.3 Pin Type Descriptions

<i>Pin Type</i>	<i>Description</i>
I:	Input
O:	Output
I/O:	Bi-directional
OD:	Open drain
SCHE:	Schmitt Trigger
PU:	Pull Up
PD:	Pull Down

Chapter 2 Interface Description

2.1 Pin Diagram

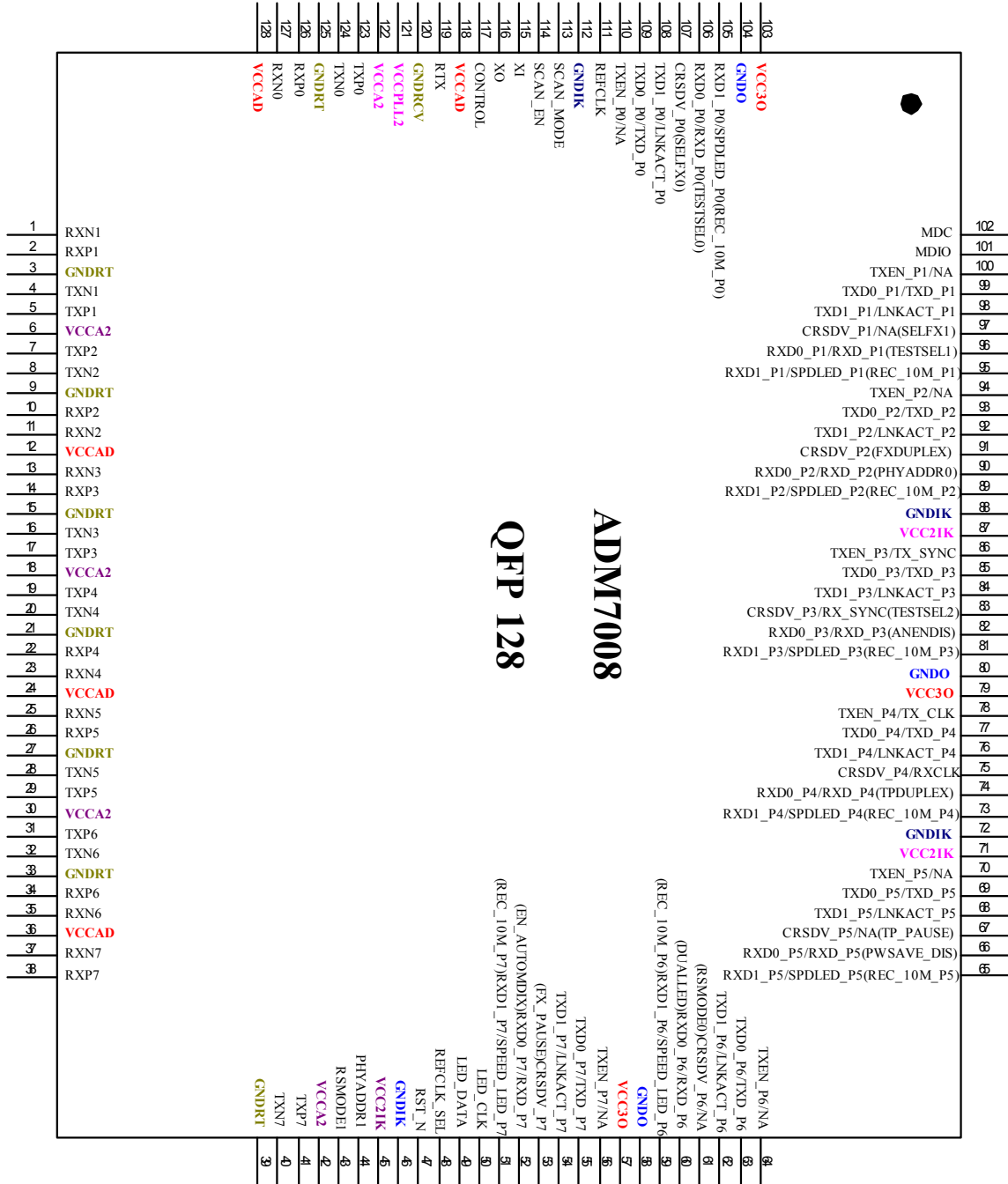


Figure 2-1 ADM7008 Pin Assignment

2.2 Pin Description

Note:

For those pins, which have multiple functions, pin name is separated by slash (“/”).

If not specified, all signals are default to digital signals.

Please refer to section ‘1.5.3 Pin Type Descriptions’ for an explanation of pin abbreviations.

2.2.1 Twisted Pair Interface, 32 pins

Pin #	Pin Name	Type	Description
123, 5, 7, 17 19, 29, 31, 41	TXP[0:7]	O, Analog	Twisted Pair Transmit Output Positive.
124, 4, 8, 16 20, 28, 32, 40	TXN[0:7]	O, Analog	Twisted Pair Transmit Output Negative.
126, 2, 10, 14 22, 26, 34, 38	RXP[0:7]	I, Analog	Twisted Pair Receive Input Positive.
127, 1, 11, 13 23, 25, 35, 37	RXN[0:7]	I, Analog	Twisted Pair Receive Input Negative.

2.2.2 Ground and Power, 20 pins

Pin #	Pin Name	Type	Description
125, 3, 9, 15, 21, 27, 33, 39	GNDRT	Analog Ground	Analog Ground Pad
118, 128, 12, 24, 36	VCCAD	Analog Power	Analog 3.3V Power
122, 6, 18, 30, 42	VCCA2	Analog Power	Analog 1.8V Power
120	GNDRCV	Analog Ground	Analog Ground used by Clock Generator module
121	VCCPLL2	Analog Power	Analog 1.8V Power used by Clock Generator module
58, 80 104	GNDO	Digital Ground	Ground used by 3.3V I/O.
46, 72, 88, 112	GNDIK	Digital Ground	Ground used by Core.
57, 79 103	VCC3O	Digital Power	3.3V Power used by I/O
45, 71, 87	VCC2IK	Digital Power	1.8V Power used by Core

2.2.3 Mode Setting

Pin #	Pin Name	Type	Description
43	RSMODE1	I, PD	RMII and SMII/SS_SMII mode select signal. Dedicated input provided by ADM7008 to determine the interface: 0: SMII or SS_SMII interface (See CRSDV_P6 power on setting for more detail) 1: RMII interface

2.2.4 Clock Input Select

Pin #	Pin Name	Type	Description
48	REFCLK_SEL	I, PD	<p>XI/XO and REFCLK clock select signal. Dedicated input provided by ADM7008 to determine the clock source for ADM7008.</p> <p>0: ADM7008 will use XI/XO as clock source for internal clock generator. In this mode, REFCLK (pin 111) will output 50MHz clock in RMII mode (RSMODE1 is set to 1) and 125MHz clock in either SMII or SS_SMII mode (RSMODE1 is set to 0)</p> <p>1: ADM7008 will use the input of REFCLK (pin 111) as the clock source for internal clock generator.</p> <p>Note: that when RSMODE1 is set to 1 (RMII mode), the input of REFCLK should be 50MHz; when RSMODE1 is set to 0 (SMII or SS_SMII mode) the clock input on REFCLK should be 125MHz</p>

2.2.5 Clock Input, 3 pins

Pin #	Pin Name	Type	Pin Description															
115	XI/OSCI	I, CTL	<p>Crystal/Oscillator input.</p> <p>REFCLK_SEL = 0: 25M Crystal/Oscillator Input.</p> <p>REFCLK_SEL = 1: Leave unconnected</p>															
116	XO	O, CTL	Crystal output. When 25M Oscillator is used, this pin should be left unconnected. See XI/OSCI description above.															
111	REFCLK	I/O, 16mA LVTTTL	<p>Reference clock. Function on this pin is highly depended upon the setting on REFCLK_SEL and RSMODE1:</p> <table border="1"> <thead> <tr> <th>REFCLK_SEL</th> <th>RSMODE1</th> <th>REFCLK (Direction/Frequency)</th> </tr> </thead> <tbody> <tr> <td>0</td> <td>0</td> <td>Output/125 MHz</td> </tr> <tr> <td>0</td> <td>1</td> <td>Output/50 MHz</td> </tr> <tr> <td>1</td> <td>0</td> <td>Input/125 MHz with maximum 100ppm</td> </tr> <tr> <td>1</td> <td>1</td> <td>Input/50 MHz with maximum 100ppm</td> </tr> </tbody> </table>	REFCLK_SEL	RSMODE1	REFCLK (Direction/Frequency)	0	0	Output/125 MHz	0	1	Output/50 MHz	1	0	Input/125 MHz with maximum 100ppm	1	1	Input/50 MHz with maximum 100ppm
REFCLK_SEL	RSMODE1	REFCLK (Direction/Frequency)																
0	0	Output/125 MHz																
0	1	Output/50 MHz																
1	0	Input/125 MHz with maximum 100ppm																
1	1	Input/50 MHz with maximum 100ppm																

2.2.6 RMII/SMII Interface, 48 pins

Pin #	Pin Name	Type	Pin Description
51, 52	Power On Setting REC_10M_P7, EN_AUTOMDIX RMII Mode RXD[1:0]_P7	I/O, 8mA, PD/PU	<p>REC_10M: Value on RXD1_P7 will be latched by ADM7008 during power on reset as Port 7 10M Re-command value.</p> <p>0: Recommend Port 7 to operate in 100M Mode</p> <p>1: Recommend Port 7 to operate in 10M Mode</p> <p>Auto MDIX Enable signal: Value on RXD0_P7 will be latched by ADM7008 during power on reset as Auto MDIX function control signal.</p> <p>0: Disable all ports' Auto MDIX function.</p> <p>1: Enable all ports' Auto MDIX function.</p> <p>Port 7 RMII Receive Data, RXD[1:0]. RXD[1:0] are the port 7 output di-bits synchronously to REFCLK. Upon assertion of CRSDV_P7, RXD0 and RXD1 remain at '00' until valid data is output from the FIFO onto RXD. '01' on RXD1 and RXD0 indicates the start of valid data. If a false carrier or a symbol error is detected, RXD1 and RXD0 are set to '10' for the</p>

Pin #	Pin Name	Type	Pin Description
	SMII/SS_SMII Mode SPDLED_P7, SMII_RXD_P7		duration of the activity. Note that in 100Mb/s mode RXD can change once per REFCLK cycle, whereas in 10Mb/s mode RXD must be held steady for 10 consecutive REFCLK cycles. Port 7 SMII Receive Data. RXD0 for the designated port outputs data or in-band management information synchronously to TX_CLK (pin 78). In 100Mb/s mode, RXD0 outputs a new 10-bit segment starting with SYNC. In 10Mb/s mode, RXD0 must repeat each 10 bits segment 10 times. RXD1 for the designated port is acted as Speed Status LED for port 7.
	SS_SMII Mode SPDLED_P7, SS_SMII_RXD_P7		Port 7 SS_SMII Receive Data. RXD0 for the designated port outputs data or in-band management information synchronously to RXCLK (pin 75). In 100Mb/s mode, RXD0 outputs a new 10-bit segment starting with SYNC. In 10Mb/s mode, RXD0 must repeat each 10 bits segment 10 times. RXD1 for the designated port is acted as Speed Status LED for port 7.
53	Power On Setting FX_PAUSE	I, LVTTTL, PD	Fiber PAUSE Recommend Value. Value on this pin will be latched by ADM7008 during power on reset as Fiber port (See SELFX power on setting for more detail) pause capability control signal. 0: Pause off for all fiber ports 1: Pause on for all fiber ports
	RMII Mode CRSDV_P7	O, 8mA	Port 7 Carrier Sense/Receive Data Valid. CRSDV_P7 asserts when the receive medium is non-idle. The assertion of CRSDV_P7 is asynchronous to REFCLK. At the de-assertion of carrier, CRSDV_P7 de-asserts synchronously to REFCLK only on the first di-bit of RXD. If there is still data in the FIFO not yet presented onto RXD, then on the second di-bit of RXD, CRSDV_P7 is asserted synchronously to REFCLK. The toggling of CRSDV_P7 on the first and second di-bit continues until all the data in the FIFO is presented onto RXD. CRSDV_P7 is asserted for the duration of carrier activity for a false carrier event.
	SMII/SS_SMII Mode N/A		Not used in SMII/SS_SMII Mode
54, 55	RMII Mode TXD[1:0]_P7	I, TTL, PD	Port 7 RMII Transmit Data, TXD[1:0]. Transmit data for port 7 input the di-bits that re transmitted and are driven synchronously to REFCLK. Note: that in 100Mb/s mode, TXD can change once per REFCLK cycle, whereas in 10Mb/s mode, TXD must be held steady for 10 consecutive REFCLK cycles.
	SMII Mode LNKACT_P7, SMII_TXD_P7		Link and Activity LED/Port 7 SMII Transmit Data. TXD0 for port 7 inputs the data that is transmitted and is driven synchronously to TX_CLK (pin 78). In 100Mb/s mode, TXD0 inputs a new 10-bit segment starting with SYNC. In 10Mb/s mode, TXD0 must repeat each 10-bit segment 10 times. TXD1_P7 acts as Port 7 Link/Activity LED in both SMII and SS_SMII Mode. See LED Description for more detail.

Pin #	Pin Name	Type	Pin Description
	SMII Mode LNKACT_P7, SS_SMII_TXD_P 7		Link and Activity LED/Port 7 SS_SMII Transmit Data. TXD0 for port 7 inputs the data that is transmitted and is driven synchronously to TX_CLK (pin 78). In 100Mb/s mode, TXD0 inputs a new 10-bit segment starting with SYNC. In 10Mb/s mode, TXD0 must repeat each 10-bit segment 10 times.
56	RMII Mode TXEN_P7 SMII/SS_SMII LOW	I, TTL	Port 7 Transmit Enable. Transmit Enable for port 7 indicates that the di-bit on TXD is valid and it is driven synchronously to REFCLK. TIED TO LOW. TXEN_P7 should be tied to low for normal operation.
59, 60	Power On Setting REC_10M_P6, DUALLED RMII Mode RXD[1:0]_P6 SMII Mode SPDLED_P6, SMII_RXD_P6 SS_SMII Mode SPDLED_P6, SS_SMII_RXD_ P6	I PD, PD, O, 8mA O, 8mA O, 8mA	REC_10M: Value on RXD1_P6 will be latched by ADM7008 during power on reset as Port 6 10M Re-command value. 0: Recommend Port 6 to operate in 100M Mode 1: Recommend Port 6 to operate in 10M Mode Dual Color LED Mode. Value on RXD0_P6 will be latched by ADM7008 during power on reset to form LED control signal. Value on this pin will affect the output value on Serial LED output. 0: Single Color 3 bits/port serial stream (Default Value) 1: Dual Color 3 bits/port serial stream Port 6 RMII Receive Data, RXD[1:0]. RXD[1:0] are the port 6 output di-bits synchronously to REFCLK. Upon assertion of CRSDV_P6, RXD0 and RXD1 remain at '00' until valid data is output from the FIFO onto RXD. The start of valid data is indicated by '01' on RXD1 and RXD0. If a false carrier or a symbol error is detected, RXD1 and RXD0 are set to '10' for the duration of the activity. Note that in 100Mb/s mode RXD can change once per REFCLK cycle, whereas in 10Mb/s mode RXD must be held steady for 10 consecutive REFCLK cycles. Port 6 SMII Receive Data. RXD0 for the designated port outputs data or in-band management information synchronously to TX_CLK (pin 78). In 100Mb/s mode, RXD0 outputs a new 10-bit segment starting with SYNC. In 10Mb/s mode, RXD0 must repeat each 10 bits segment 10 times. RXD1 for the designated port is acted as Speed Status LED for port 6. Port 6 SS_SMII Receive Data. RXD0 for the designated port outputs data or in-band management information synchronously to RXCLK (pin 75). In 100Mb/s mode, RXD0 outputs a new 10-bit segment starting with SYNC. In 10Mb/s mode, RXD0 must repeat each 10 bits segment 10 times. RXD1 for the designated port is acted as Speed Status LED for port 6.
61	Power On Setting RSMODE0	I, LVTTTL, PD	RMII/SMII/SS_SMII Configuration bit 0. Value on this pin will be latched by ADM7008 during power on reset as interface configuration bit 0. Combined with RSMODE1 (pin 43), three possible interfaces are provided by ADM7008 RSMODE[1:0] Interface

Pin #	Pin Name	Type	Pin Description
	RMII Mode CRSDV_P6 SMII/SS_SMII Mode N/A	O, 8mA	00 SMII 01 SS_SMII 1x RMII Port 6 Carrier Sense/Receive Data Valid. CRSDV_P6 asserts when the receive medium is non-idle. The assertion of CRSDV_P6 is asynchronous to REFCLK. At the de-assertion of carrier, CRSDV_P6 de-asserts synchronously to REFCLK only on the first di-bit of RXD. If there is still data in the FIFO not yet presented onto RXD, then on the second di-bit of RXD, CRSDV_P6 is asserted synchronously to REFCLK. The toggling of CRSDV_P6 on the first and second di-bit continues until all the data in the FIFO is presented onto RXD. CRSDV_P6 is asserted for the duration of carrier activity for a false carrier event. Not used in SMII/SS_SMII Mode
62, 63	RMII Mode TXD[1:0]_P6 SMII Mode LNKACT_P6, SMII_TXD_P6 SS_SMII Mode LNKACT_P6, SS_SMII_TXD_P6	I, LVTTTL, PD, PD	Port 6 RMII Transmit Data, TXD[1:0]. Transmit data for port 6 input the di-bits that re transmitted and are driven synchronously to REFCLK. Note that in 100Mb/s mode, TXD can change once per REFCLK cycle, whereas in 10Mb/s mode, TXD must be held steady for 10 consecutive REFCLK cycles. Link and Activity LED/Port 6 SMII Transmit Data. TXD0 for port 6 inputs the data that is transmitted and is driven synchronously to TX_CLK (pin 78). In 100Mb/s mode, TXD0 inputs a new 10-bit segment starting with SYNC. In 10Mb/s mode, TXD0 must repeat each 10-bit segment 10 times. TXD1_P6 acts as Port 6 Link/Activity LED in both SMII and SS_SMII Mode. See LED Description for more detail. Link and Activity LED/Port 6 SS_SMII Transmit Data. TXD0 for port 6 inputs the data that is transmitted and is driven synchronously to TX_CLK (pin 78). In 100Mb/s mode, TXD0 inputs a new 10-bit segment starting with SYNC. In 10Mb/s mode, TXD0 must repeat each 10-bit segment 10 times.
64	RMII Mode TXEN_P6 SMII/SS_SMII LOW	I, TTL	Port 6 Transmit Enable. Transmit Enable for port 6 indicates that the di-bit on TXD is valid and it is driven synchronously to REFCLK. TIED TO LOW. TXEN_P6 should be tied to low for normal operation in both SMII and SS_SMII Mode.
65, 66	Power On Setting REC_10M_P5, PWSAVE_DIS	I, PD, PD	REC_10M: Value on RXD1_P5 will be latched by ADM7008 during power on reset as Port 5 10M Re-command value. 0: Recommend Port 5 to operate in 100M Mode (Default) 1: Recommend Port 5 to operate in 10M Mode Lower power Link Pulse Function (Power Saving, LLP) Disable. Value on RXD1 will be latched by ADM7008 during power on reset as power saving disable signal. (See Lower Power Link

Pin #	Pin Name	Type	Pin Description
	RMII Mode RXD[1:0]_P5	O, 8mA	Pulse Function description for more detail) 0: Power Saving Enable 1: Power Saving disable (Default) Port 5 RMII Receive Data, RXD[1:0]. RXD[1:0] are the port 5 output di-bits synchronously to REFCLK. Upon assertion of CRSDV_P5, RXD0 and RXD1 remain at '00' until valid data is output from the FIFO onto RXD. '01' on RXD1 and RXD0 indicates the start of valid data. If a false carrier or a symbol error is detected, RXD1 and RXD0 are set to '10' for the duration of the activity. Note that in 100Mb/s mode RXD can change once per REFCLK cycle, whereas in 10Mb/s mode RXD must be held steady for 10 consecutive REFCLK cycles.
	SMII Mode SPDLED_P5, SMII_RXD_P5		Port 5 SMII Receive Data. RXD0 for the designated port outputs data or in-band management information synchronously to TX_CLK (pin 78). In 100Mb/s mode, RXD0 outputs a new 10-bit segment starting with SYNC. In 10Mb/s mode, RXD0 must repeat each 10 bits segment 10 times. RXD1 for the designated port is acted as Speed Status LED for port 5.
	SS_SMII Mode SPDLED_P5, SS_SMII_RXD_P5		Port 5 SS_SMII Receive Data. RXD0 for the designated port outputs data or in-band management information synchronously to RXCLK (pin 75). In 100Mb/s mode, RXD0 outputs a new 10-bit segment starting with SYNC. In 10Mb/s mode, RXD0 must repeat each 10 bits segment 10 times. RXD1 for the designated port is acted as Speed Status LED for port 5.
67	Power On Setting TP_PAUSE	I, LVTTTL, PU	Twisted Pair PAUSE Recommend Value. Value on this pin will be latched by ADM7008 during power on reset as twisted pair port (See SELFX power on setting for more detail) pause capability control signal. 0: Pause off for all twisted pair ports 1: Pause on for all twisted pair ports
	RMII Mode CRSDV_P5	O, 8mA	Port 5 Carrier Sense/Receive Data Valid. CRSDV_P5 asserts when the receive medium is non-idle. The assertion of CRSDV_P5 is asynchronous to REFCLK. At the de-assertion of carrier, CRSDV_P5 de-asserts synchronously to REFCLK only on the first di-bit of RXD. If there is still data in the FIFO not yet presented onto RXD, then on the second di-bit of RXD, CRSDV_P5 is asserted synchronously to REFCLK. The toggling of CRSDV_P5 on the first and second di-bit continues until all the data in the FIFO is presented onto RXD. CRSDV_P5 is asserted for the duration of carrier activity for a false carrier event.
	SMII/SS_SMII Mode N/A		Not used in SMII/SS_SMII Mode
68, 69	RMII Mode TXD[1:0]_P5	I, TTL,	Port 5 RMII Transmit Data, TXD[1:0]. Transmit data for port 5 inputs the di-bits that re transmitted and are driven synchronously to REFCLK. Note that in 100Mb/s mode, TXD

Pin #	Pin Name	Type	Pin Description
	SMII Mode LNKACT_P5, SMII_TXD_P5 SS_SMII Mode LNKACT_P5, SS_SMII_TXD_P5	PD	<p>synchronously to REFCLK. Note that in 100Mb/s mode, TXD can change once per REFCLK cycle, whereas in 10Mb/s mode, TXD must be held steady for 10 consecutive REFCLK cycles.</p> <p>Link and Activity LED/Port 5 SMII Transmit Data. TXD0 for port 5 inputs the data that is transmitted and is driven synchronously to TX_CLK (pin 78). In 100Mb/s mode, TXD0 inputs a new 10-bit segment starting with SYNC. In 10Mb/s mode, TXD0 must repeat each 10-bit segment 10 times. TXD1_P5 acts as Port 5 Link/Activity LED in both SMII and SS_SMII Mode. See LED Description for more detail.</p> <p>Link and Activity LED/Port 5 SS_SMII Transmit Data. TXD0 for port 5 inputs the data that is transmitted and is driven synchronously to TX_CLK (pin 78). In 100Mb/s mode, TXD0 inputs a new 10-bit segment starting with SYNC. In 10Mb/s mode, TXD0 must repeat each 10-bit segment 10 times.</p>
70	RMII Mode TXEN_P5 SMII/SS_SMII LOW	I, TTL	<p>Port 5 Transmit Enable. Transmit Enable for port 5 indicates that the di-bit on TXD is valid and it is driven synchronously to REFCLK.</p> <p>SMII/SS_SMII Mode. Keep LOW for normal operation.</p>
73, 74	Power On Setting REC_10M_P4, TP_DUPLEX RMII Mode RXD[1:0]_P4 SMII Mode SPDLED_P4, SMII_RXD_P4	I/O, 8mA, PD/PU	<p>REC_10M: Value on RXD1_P4 will be latched by ADM7008 during power on reset as Port 4 10M Re-command value. 0: Recommend Port 4 to operate in 100M Mode 1: Recommend Port 4 to operate in 10M Mode</p> <p>Twisted Pair Duplex Recommend Value. Value on RXD1 will be latched by ADM7008 during power on reset as duplex recommend value for twisted pair interface. 0: Half Duplex for all twisted pair ports 1: Full Duplex for all twisted pair ports</p> <p>Port 4 RMII Receive Data, RXD[1:0]. RXD[1:0] are the port 4 output di-bits synchronously to REFCLK. Upon assertion of CRSDV_P4, RXD0 and RXD1 remain at '00' until valid data is output from the FIFO onto RXD. '01' on RXD1 and RXD0 indicates the start of valid data. If a false carrier or a symbol error is detected, RXD1 and RXD0 are set to '10' for the duration of the activity. Note that in 100Mb/s mode RXD can change once per REFCLK cycle, whereas in 10Mb/s mode RXD must be held steady for 10 consecutive REFCLK cycles.</p> <p>Port 4 SMII Receive Data. RXD0 for the designated port outputs data or in-band management information synchronously to TX_CLK (pin 78). In 100Mb/s mode, RXD0 outputs a new 10-bit segment starting with SYNC. In 10Mb/s mode, RXD0 must repeat each 10 bits segment 10 times. RXD1 for the designated port is acted as Speed Status LED for port 4.</p>

Pin #	Pin Name	Type	Pin Description
	SS_SMI Mode SPDLED_P4, SS_SMI_RXD_ P4		Port 4 SS_SMI Receive Data. RXD0 for the designated port outputs data or in-band management information synchronously to RXCLK (pin 75). In 100Mb/s mode, RXD0 outputs a new 10-bit segment starting with SYNC. In 10Mb/s mode, RXD0 must repeat each 10 bits segment 10 times. RXD1 for the designated port is acted as Speed Status LED for port 4.
75	RMII Mode CRSDV_P4 SMII Mode N/A SS_SMI Mode RXCLK	I, LVTTTL, PD O, 8mA	Port 4 Carrier Sense/Receive Data Valid. CRSDV_P4 asserts when the receive medium is non-idle. The assertion of CRSDV_P4 is asynchronous to REFCLK. At the de-assertion of carrier, CRSDV_P4 de-asserts synchronously to REFCLK only on the first di-bit of RXD. If there is still data in the FIFO not yet presented onto RXD, then on the second di-bit of RXD, CRSDV_P4 is asserted synchronously to REFCLK. The toggling of CRSDV_P4 on the first and second di-bit continues until all the data in the FIFO is presented onto RXD. CRSDV_P4 is asserted for the duration of carrier activity for a false carrier event. Not used in SMII Mode 125MHz Receive Clock. This pin acts as 125MHz receive clock when ADM7008 is programmed to SS_SMI mode. All SS_SMI_RXD are synchronous to the rising edge of this clock. Note: that clock on this pin will not be active during power on reset due to power on setting.
76, 77	RMII Mode TXD[1:0]_P4 SMII Mode LNKACT_P4, SMII_TXD_P4 SS_SMI Mode LNKACT_P4, SS_SMI_TXD_P 4	I, TTL, PD	Port 4 RMII Transmit Data, TXD[1:0]. Transmit data for port 4 inputs the di-bits that re transmitted and are driven synchronously to REFCLK. Note that in 100Mb/s mode, TXD can change once per REFCLK cycle, whereas in 10Mb/s mode, TXD must be held steady for 10 consecutive REFCLK cycles. Link and Activity LED/Port 4 SMII Transmit Data. TXD0 for port 4 inputs the data that is transmitted and is driven synchronously to TX_CLK (pin 78). In 100Mb/s mode, TXD0 inputs a new 10-bit segment starting with SYNC. In 10Mb/s mode, TXD0 must repeat each 10-bit segment 10 times. TXD1_P4 acts as Port 4 Link/Activity LED in both SMII and SS_SMI Mode. See LED Description for more detail. Link and Activity LED/Port 4 SS_SMI Transmit Data. TXD0 for port 4 inputs the data that is transmitted and is driven synchronously to TX_CLK (pin 78). In 100Mb/s mode, TXD0 inputs a new 10-bit segment starting with SYNC. In 10Mb/s mode, TXD0 must repeat each 10-bit segment 10 times.
78	RMII Mode TXEN_P4 SMII Mode TX_CLK	I, TTL	Port 4 Transmit Enable. Transmit Enable for port 4 indicates that the di-bit on TXD is valid and it is driven synchronously to REFCLK. SMII 125MHz Reference Clock. In SMII Mode, this pin acts as 125MHz reference clock for all ports. All transmit and receive

Pin #	Pin Name	Type	Pin Description
	SS_SMI Mode TXCLK		data (include transmit enable and receive data valid) should be synchronous to the rising edge of this clock. SS_SMI 125MHz Transmit Clock. In SS_SMI Mode, this pin acts as 125MHz transmit clock for all ports. TXD and TXEN should be synchronous to the rising edge of this clock.
81, 82	Power On Setting REC_10M_P3, ANENDIS RMII Mode RXD[1:0]_P3 SMII Mode SPDLED_P3, SMII_RXD_P3 SS_SMI Mode SPDLED_P3, SS_SMI_RXD_P3	I/O, 8mA, PD PD	REC_10M: Value on RXD1_P3 will be latched by ADM7008 during power on reset as Port 3 10M Re-command value. 0: Recommend Port 3 to operate in 100M Mode 1: Recommend Port 3 to operate in 10M Mode Twisted Pair Duplex Recommend Value. Value on RXD1 will be latched by ADM7008 during power on reset as auto negotiation disable recommend value for twisted pair interface. 0: Auto-negotiation Enable for all twisted pair ports. 1: Auto-negotiation Disable for all twisted pair ports Port 3 RMII Receive Data, RXD[1:0]. RXD[1:0] are the port 3 output di-bits synchronously to REFCLK. Upon assertion of CRSDV_P3, RXD0 and RXD1 remain at '00' until valid data is output from the FIFO onto RXD. The start of valid data is indicated by '01' on RXD1 and RXD0. If a false carrier or a symbol error is detected, RXD1 and RXD0 are set to '10' for the duration of the activity. Note that in 100Mb/s mode RXD can change once per REFCLK cycle, whereas in 10Mb/s mode RXD must be held steady for 10 consecutive REFCLK cycles. Port 3 SMII Receive Data. RXD0 for the designated port outputs data or in-band management information synchronously to TX_CLK (pin 78). In 100Mb/s mode, RXD0 outputs a new 10-bit segment starting with SYNC. In 10Mb/s mode, RXD0 must repeat each 10 bits segment 10 times. RXD1 for the designated port is acted as Speed Status LED for port 3. Port 3 SS_SMI Receive Data. RXD0 for the designated port outputs data or in-band management information synchronously to RXCLK (pin 75). In 100Mb/s mode, RXD0 outputs a new 10-bit segment starting with SYNC. In 10Mb/s mode, RXD0 must repeat each 10 bits segment 10 times. RXD1 for the designated port is acted as Speed Status LED for port 3.
83	Power On Setting TESTSEL2 RMII Mode CRSDV_P3	I, PD O, 8mA	Industrial Test Mode Select 2. Value on this pin will be latched by ADM7008 during power on reset as industrial test mode select bit 2. Pull down for normal operation. For Test Mode, See test select 0 for more detail Port 3 Carrier Sense/Receive Data Valid. CRSDV_P3 asserts when the receive medium is non-idle. The assertion of CRSDV_P3 is asynchronous to REFCLK. At the de-assertion of carrier, CRSDV_P3 de-asserts synchronously to REFCLK only on the first di-bit of RXD. If there is still data in the FIFO not yet presented onto RXD, then on the second di-bit of RXD

Pin #	Pin Name	Type	Pin Description
	SMII Mode N/A SS_SMII Mode RX_SYNC		not yet presented onto RXD, then on the second di-bit of RXD, CRSDV_P3 is asserted synchronously to REFCLK. The toggling of CRSDV_P3 on the first and second di-bit continues until all the data in the FIFO is presented onto RXD. CRSDV_P3 is asserted for the duration of carrier activity for a false carrier event. Not used in SMII Mode SS_SMII Receive Synchronization Signal. In SS_SMII Mode, this pin sets the bit stream alignment of SS_SMII_RXD for all ports.
84, 85	RMII Mode TXD[1:0]_P3 SMII Mode LNKACT_P3, SMII_TXD_P3 SS_SMII Mode LNKACT_P3, SS_SMII_TXD_P3	I, TTL, PD	Port 3 RMII Transmit Data, TXD[1:0]. Transmit data for port 3 inputs the di-bits that re transmitted and are driven synchronously to REFCLK. Note that in 100Mb/s mode, TXD can change once per REFCLK cycle, whereas in 10Mb/s mode, TXD must be held steady for 10 consecutive REFCLK cycles. Link and Activity LED/Port 3 SMII Transmit Data. TXD0 for port 3 inputs the data that is transmitted and is driven synchronously to TX_CLK (pin 78). In 100Mb/s mode, TXD0 inputs a new 10-bit segment starting with SYNC. In 10Mb/s mode, TXD0 must repeat each 10-bit segment 10 times. TXD1_P3 acts as Port 3 Link/Activity LED in both SMII and SS_SMII Mode. See LED Description for more detail. Link and Activity LED/Port 3 SS_SMII Transmit Data. TXD0 for port 3 inputs the data that is transmitted and is driven synchronously to TX_CLK (pin 78). In 100Mb/s mode, TXD0 inputs a new 10-bit segment starting with SYNC. In 10Mb/s mode, TXD0 must repeat each 10-bit segment 10 times.
86	RMII Mode TXEN_P3 SMII Mode SMII_SYNC SS_SMII Mode TX_SYNC	I, TTL	Port 3 Transmit Enable. Transmit Enable for port 3 indicates that the di-bit on TXD is valid and it is driven synchronously to REFCLK. SMII Synchronization Signal. In SMII Mode, this pin sets the bit stream alignment of SMII_TXD and SMII_RXD for all ports. SS_SMII Transmit Synchronization Signal. In SS_SMII Mode, this pin sets the bit stream alignment of SS_SMII_TXD for all ports.
89, 90	Power On Setting REC_10M_P2, PHYADDR0 RMII Mode	I, PD, PD O,	REC_10M: Value on RXD1_P2 will be latched by ADM7008 during power on reset as Port 2 10M Re-command value. 0: Recommend Port 2 to operate in 100M Mode 1: Recommend Port 2 to operate in 10M Mode PHY Address Bit 0. Value on RXD1 will be latched by ADM7008 during power on reset as PHY address bit 0. Combined with PHYADDR1 (pin 44) to form PHY address for ADM7008. See PHYADDR1 description for more detail Port 2 RMII Receive Data, RXD[1:0]. RXD[1:0] are the port 2 output di-bits synchronously to REFCLK. Upon reception of

Pin #	Pin Name	Type	Pin Description
	RXD[1:0]_P2 SMII Mode SPDLED_P2, SMII_RXD_P2 SS_SMII Mode SPDLED_P2, SS_SMII_RXD_P2	8mA	<p>output di-bits synchronously to REFCLK. Upon assertion of CRSDV_P2, RXD0 and RXD1 remain at '00' until valid data is output from the FIFO onto RXD. The start of valid data is indicated by '01' on RXD1 and RXD0. If a false carrier or a symbol error is detected, RXD1 and RXD0 are set to '10' for the duration of the activity. Note that in 100Mb/s mode RXD can change once per REFCLK cycle, whereas in 10Mb/s mode RXD must be held steady for 10 consecutive REFCLK cycles.</p> <p>Port 2 SMII Receive Data. RXD0 for the designated port outputs data or in-band management information synchronously to TX_CLK (pin 78). In 100Mb/s mode, RXD0 outputs a new 10-bit segment starting with SYNC. In 10Mb/s mode, RXD0 must repeat each 10 bits segment 10 times. RXD1 for the designated port is acted as Speed Status LED for port 2.</p> <p>Port 2 SS_SMII Receive Data. RXD0 for the designated port outputs data or in-band management information synchronously to RXCLK (pin 75). In 100Mb/s mode, RXD0 outputs a new 10-bit segment starting with SYNC. In 10Mb/s mode, RXD0 must repeat each 10 bits segment 10 times. RXD1 for the designated port is acted as Speed Status LED for port 2.</p>
91	Power On Setting FX_DUPLEX RMII Mode CRSDV_P2 SMII/SS_SMII Mode N/A	I/O, 8mA PU	<p>Duplex Recommend Value for Fiber Port. Value on this pin will be latched by ADM7008 during power on reset as duplex recommend value for all fiber ports. 0: Half duplex for all fiber ports. 1: Full duplex for all fiber ports.</p> <p>Port 2 Carrier Sense/Receive Data Valid. CRSDV_P2 asserts when the receive medium is non-idle. The assertion of CRSDV_P2 is asynchronous to REFCLK. At the de-assertion of carrier, CRSDV_P2 de-asserts synchronously to REFCLK only on the first di-bit of RXD. If there is still data in the FIFO not yet presented onto RXD, then on the second di-bit of RXD, CRSDV_P2 is asserted synchronously to REFCLK. The toggling of CRSDV_P2 on the first and second di-bit continues until all the data in the FIFO is presented onto RXD. CRSDV_P2 is asserted for the duration of carrier activity for a false carrier event.</p> <p>Not used in SMII and SS_SMII Mode</p>
92, 93	RMII Mode TXD[1:0]_P2	I, TTL, PD, PD	<p>Port 2 RMII Transmit Data, TXD[1:0]. Transmit data for port 2 inputs the di-bits that re transmitted and are driven synchronously to REFCLK. Note that in 100Mb/s mode, TXD can change once per REFCLK cycle, whereas in 10Mb/s mode, TXD must be held steady for 10 consecutive REFCLK cycles.</p> <p>Link and Activity LED/Port 2 SMII Transmit Data. TXD0 for port</p>

Pin #	Pin Name	Type	Pin Description
	SMII Mode LNKACT_P2, SMII_TXD_P2		2 inputs the data that is transmitted and is driven synchronously to TX_CLK (pin 78). In 100Mb/s mode, TXD0 inputs a new 10-bit segment starting with SYNC. In 10Mb/s mode, TXD0 must repeat each 10-bit segment 10 times. TXD1_P2 acts as Port 2 Link/Activity LED in both SMII and SS_SMII Mode. See LED Description for more detail.
	SS_SMII Mode LNKACT_P2, SS_SMII_TXD_P2		Link and Activity LED/Port 2 SS_SMII Transmit Data. TXD0 for port 2 inputs the data that is transmitted and is driven synchronously to TX_CLK (pin 78). In 100Mb/s mode, TXD0 inputs a new 10-bit segment starting with SYNC. In 10Mb/s mode, TXD0 must repeat each 10-bit segment 10 times.
94	RMII Mode TXEN_P2	I, TTL	Port 2 Transmit Enable. Transmit Enable for port 2 indicates that the di-bit on TXD is valid and it is driven synchronously to REFCLK.
	SMII/SS_SMII LOW		Not Used. Tied to LOW for normal operation in SMII/SS_SMII mode.
95, 96	Power On Setting REC_10M_P1, TESTSEL1	I/O, 8mA, PD PD	REC_10M: Value on RXD1_P1 will be latched by ADM7008 during power on reset as Port 1 10M Re-command value. 0: Recommend Port 1 to operate in 100M Mode 1: Recommend Port 1 to operate in 10M Mode Industrial Test Mode Select 1. Value on RXD0_P1 will be latched by ADM7008 during power on reset as industrial test mode select bit 1. Pull down for normal operation. For Test Mode, See test select 0 for more detail
	RMII Mode RXD[1:0]_P1		Port 1 RMII Receive Data, RXD[1:0]. RXD[1:0] are the port 1 output di-bits synchronously to REFCLK. Upon assertion of CRSDV_P1, RXD0 and RXD1 remain at '00' until valid data is output from the FIFO onto RXD. The start of valid data is indicated by '01' on RXD1 and RXD0. If a false carrier or a symbol error is detected, RXD1 and RXD0 are set to '10' for the duration of the activity. Note that in 100Mb/s mode RXD can change once per REFCLK cycle, whereas in 10Mb/s mode RXD must be held steady for 10 consecutive REFCLK cycles.
	SMII Mode SPDLED_P1, SMII_RXD_P1		Port 1 SMII Receive Data. RXD0 for the designated port outputs data or in-band management information synchronously to TX_CLK (pin 78). In 100Mb/s mode, RXD0 outputs a new 10-bit segment starting with SYNC. In 10Mb/s mode, RXD0 must repeat each 10 bits segment 10 times. RXD1 for the designated port is acted as Speed Status LED for port 1.
	SS_SMII Mode SPDLED_P1, SS_SMII_RXD_P1		Port 1 SS_SMII Receive Data. RXD0 for the designated port outputs data or in-band management information synchronously to RXCLK (pin 75). In 100Mb/s mode, RXD0 outputs a new 10-bit segment starting with SYNC. In 10Mb/s mode, RXD0 must repeat each 10 bits segment 10 times. RXD1 for the designated port is acted as Speed Status LED for

Pin #	Pin Name	Type	Pin Description
			port 1.
97	Power On Setting SELFX1 RMII Mode CRSDV_P1 SMII/SS_SMII Mode N/A	I/O, 8mA PD	<p>Fiber/Twisted Pair Configuration bit 1. Value on RXD1 will be latched by ADM7008 during power on reset as fiber/twisted pair interface configuration bit 1. Combined with SELFX0 (Power On setting value on CRSDV_P0) to program ADM7008 into 4 different modes.</p> <p>00: all ports are twisted ports 01: only port 7 is fiber port, and all the other ports are twisted ports. 10: only port 7 and port 6 are fiber ports, and all the other port are twisted port 11: all ports are fiber ports.</p> <p>Port 1 Carrier Sense/Receive Data Valid. CRSDV_P1 asserts when the receive medium is non-idle. The assertion of CRSDV_P1 is asynchronous to REFCLK. At the de-assertion of carrier, CRSDV_P1 de-asserts synchronously to REFCLK only on the first di-bit of RXD. If there is still data in the FIFO not yet presented onto RXD, then on the second di-bit of RXD, CRSDV_P1 is asserted synchronously to REFCLK. The toggling of CRSDV_P1 on the first and second di-bit continues until all the data in the FIFO is presented onto RXD. CRSDV_P1 is asserted for the duration of carrier activity for a false carrier event.</p> <p>Not used in SMII and SS_SMII Mode</p>
98, 99	RMII Mode TXD[1:0]_P1 SMII Mode LNKACT_P1, SMII_TXD_P1 SS_SMII Mode LNKACT_P1, SS_SMII_TXD_P1	I, TTL, PD	<p>Port 1 RMII Transmit Data, TXD[1:0]. Transmit data for port 1 inputs the di-bits that re transmitted and are driven synchronously to REFCLK. Note that in 100Mb/s mode, TXD can change once per REFCLK cycle, whereas in 10Mb/s mode, TXD must be held steady for 10 consecutive REFCLK cycles.</p> <p>Link and Activity LED/Port 1 SMII Transmit Data. TXD0 for port 1 inputs the data that is transmitted and is driven synchronously to TX_CLK (pin 78). In 100Mb/s mode, TXD0 inputs a new 10-bit segment starting with SYNC. In 10Mb/s mode, TXD0 must repeat each 10-bit segment 10 times. TXD1_P1 acts as Port 1 Link/Activity LED in both SMII and SS_SMII Mode. See LED Description for more detail.</p> <p>Link and Activity LED/Port 1 SS_SMII Transmit Data. TXD0 for port 1 inputs the data that is transmitted and is driven synchronously to TX_CLK (pin 78). In 100Mb/s mode, TXD0 inputs a new 10-bit segment starting with SYNC. In 10Mb/s mode, TXD0 must repeat each 10-bit segment 10 times.</p>
100	RMII Mode TXEN_P1 SMII/SS_SMII	I, TTL	Port 1 Transmit Enable. Transmit Enable for port 1 indicates that the di-bit on TXD is valid and it is driven synchronously to REFCLK.

Pin #	Pin Name	Type	Pin Description
	LOW		Not Used. Tied to LOW for normal operation in SMII/SS_SMII mode.
105, 106	Power On Setting REC_10M_P0, TESTSEL0 RMII Mode RXD[1:0]_P0 SMII Mode SPDLED_P0, SMII_RXD_P0 SS_SMII Mode SPDLED_P0, SS_SMII_RXD_P0	I/O, 8mA, PD, PD	<p>REC_10M: Value on RXD1_P0 will be latched by ADM7008 during power on reset as Port 0 10M Re-command value. 0: Recommend Port 0 to operate in 100M Mode 1: Recommend Port 0 to operate in 10M Mode</p> <p>Industrial Test Mode Select 0. Value on RXD0_P1 will be latched by ADM7008 during power on reset as industrial test mode select bit 0. Pull down TESTSEL[2:0] for normal operation. TESTSEL Mode 000: Normal Mode</p> <p>Port 0 RMII Receive Data, RXD[1:0]. RXD[1:0] are the port 0 output di-bits synchronously to REFCLK. Upon assertion of CRSDV_P0, RXD0 and RXD1 remain at '00' until valid data is output from the FIFO onto RXD. The start of valid data is indicated by '01' on RXD1 and RXD0. If a false carrier or a symbol error is detected, RXD1 and RXD0 are set to '10' for the duration of the activity. Note that in 100Mb/s mode RXD can change once per REFCLK cycle, whereas in 10Mb/s mode RXD must be held steady for 10 consecutive REFCLK cycles.</p> <p>Port 0 SMII Receive Data. RXD0 for the designated port outputs data or in-band management information synchronously to TX_CLK (pin 78). In 100Mb/s mode, RXD0 outputs a new 10-bit segment starting with SYNC. In 10Mb/s mode, RXD0 must repeat each 10 bits segment 10 times. RXD1 for the designated port is acted as Speed Status LED for port 0.</p> <p>Port 0 SS_SMII Receive Data. RXD0 for the designated port outputs data or in-band management information synchronously to RXCLK (pin 75). In 100Mb/s mode, RXD0 outputs a new 10-bit segment starting with SYNC. In 10Mb/s mode, RXD0 must repeat each 10 bits segment 10 times. RXD1 for the designated port is acted as Speed Status LED for port 0.</p>
107	Power On Setting SELFX0 RMII Mode CRSDV_P0	I/O, 8mA PD	<p>Fiber/Twisted Pair Configuration bit 0. Value on RXD1 will be latched by ADM7008 during power on reset as fiber/twisted pair interface configuration bit 1. Combined with SELFX1 (Power On setting value on CRSDV_P1) to program ADM7008 into 4 different modes. See SELFX1 for more detail</p> <p>Port 0 Carrier Sense/Receive Data Valid. CRSDV_P0 asserts when the receive medium is non-idle. The assertion of CRSDV_P0 is asynchronous to REFCLK. At the de-assertion of carrier, CRSDV_P0 de-asserts synchronously to REFCLK only on the first di-bit of RXD. If there is still data in the FIFO not yet presented onto RXD, then on the second di-bit of RXD, CRSDV_P0 is asserted synchronously to REFCLK. The</p>

Pin #	Pin Name	Type	Pin Description
	SMII/SS_SMII Mode N/A		<p>toggling of CRSDV_P0 on the first and second di-bit continues until all the data in the FIFO is presented onto RXD. CRSDV_P0 is asserted for the duration of carrier activity for a false carrier event.</p> <p>Not used in SMII and SS_SMII Mode</p>
108, 109	RMII Mode TXD[1:0]_P0 SMII Mode LNKACT_P0, SMII_TXD_P0 SS_SMII Mode LNKACT_P0, SS_SMII_TXD_P0	I, TTL, PD	<p>Port 0 RMII Transmit Data, TXD[1:0]. Transmit data for port 1 inputs the di-bits that re transmitted and are driven synchronously to REFCLK. Note that in 100Mb/s mode, TXD can change once per REFCLK cycle, whereas in 10Mb/s mode, TXD must be held steady for 10 consecutive REFCLK cycles.</p> <p>Link and Activity LED/Port 0 SMII Transmit Data. TXD0 for port 0 inputs the data that is transmitted and is driven synchronously to TX_CLK (pin 78). In 100Mb/s mode, TXD0 inputs a new 10-bit segment starting with SYNC. In 10Mb/s mode, TXD0 must repeat each 10-bit segment 10 times. TXD1_P0 acts as Port 0 Link/Activity LED in both SMII and SS_SMII Mode. See LED Description for more detail.</p> <p>Link and Activity LED/Port 0 SS_SMII Transmit Data. TXD0 for port 1 inputs the data that is transmitted and is driven synchronously to TX_CLK (pin 78). In 100Mb/s mode, TXD0 inputs a new 10-bit segment starting with SYNC. In 10Mb/s mode, TXD0 must repeat each 10-bit segment 10 times.</p>
110	RMII Mode TXEN_P0 SMII/SS_SMII LOW	I, TTL	<p>Port 0 Transmit Enable. Transmit Enable for port 0 indicates that the di-bit on TXD is valid and it is driven synchronously to REFCLK.</p> <p>Not Used. Tied to LOW for normal operation in SMII/SS_SMII mode.</p>

2.2.7 ATPG Signals, 2 pins

Pin #	Pin Name	Type	Description
114	SCAN_EN	I VLTTL	SCAN_EN: Scan enable for test 0: Normal mode Pull Low for normal operation
113	SCAN_MODE	I VLTTL	SCAN_MODE: Scan mode select for test 0: Normal mode Pull Low for normal operation

2.2.8 Reset Pin

Pin #	Pin Name	Type	Description
47	RESET#	I, SCHE	Reset Signal. Active low to bring ADM7008 into reset condition. Recommend keeping low for at least 100 ms to ensure the stability of the system after power on reset.

2.2.9 Control Signals, 3 pins

Pin #	Pin Name	Type	Pin Description
101	MDIO	I/O, LVTTTL	Management Data. MDIO transfers management data in and out of the device synchronous to MDC.
102	MDC	I, LVTTTL	Management Data Reference Clock. A non-continuous clock input for management usage. ADM7008 will use this clock to sample data input on MDIO and drive data onto MDIO according to rising edge of this clock.
44	PHYADDR1	I, LVTTTL	PHY Address Bit 1. Pure input of ADM7008. Combined with PHYADDR0 to form the Most Significant 2 bits of PHY address for ADM7008. The LSB 3 bits will be assigned by ADM7008 automatically according to port number 000 Port 0 001 Port 1 010 Port 2 011 Port 3 100 Port 4 101 Port 5 110 Port 6 111 Port 7

2.2.10 LED Interface, 2 pins

Pin #	Pin Name	Type	Description
50	LED_CLK	I/O, 4mA, PD	LED Clock. Non-Continuous Clock for Serial Output LED status. The clock high duration is 40 ns and low for 600ns. This 640 ns period forms one clock cycle and 24 clocks form one LED burst. The first clock output is used to latch the first bit on LED_DATA (See LED_DATA for more detail) and the final clock is used to latch the last data on LED_DATA. LED_CLK will be kept low for 40 ms before next LED stream data is output.
49	LED_DATA	I/O, 4mA, PD	LED Data. 8 port Status Output with difference sequence according to different interface. DATA_LED is driven out by ADM7008 at the falling edge of CLK_LED. System design should use the rising edge of LED_CLK to latch the data on LED_DATA. The output sequence is: DUPCOL0 (First Bit Output) → DUPCOL1 → ... → DUPCOL7 → SPEED0 → SPEED1 → ... → SPEED7 → LNKACT0 → LNKACT1 → ... → LNKACT7 (Last Bit Output)

2.2.11 Regulator Control, 2 pins

Pin #	Pin Name	Type	Description
117	CONTROL	O, Analog	Regulator Control. Voltage Control to external 1.8V Regulator. See 4.2.9 for more function description.

119	RTX	I, Analog	Constant Voltage Reference. External 1.1kΩ1% resistor connection to ground.
-----	-----	--------------	--

Chapter 3 Function Description

ADM7008 integrates eight 100Base-X physical sublayer (PHY), 100Base-TX physical medium dependent (PMD) transceivers, eight complete 10Base-T modules into a single chip for both 10 Mbps and 100 Mbps Ethernet operation. It also supports 100Base-FX operation through external fiber-optic transceivers. The device is capable of operating in either full-duplex mode or half-duplex mode in either 10 Mbps or 100 Mbps operation. Operational modes can be selected by hardware configuration pins, software settings of management registers, or determined by the on-chip auto negotiation logic.

The 10Base-T section of the device consists of the 10 Mbps transceiver module with filters and a Manchester ENDEC module.

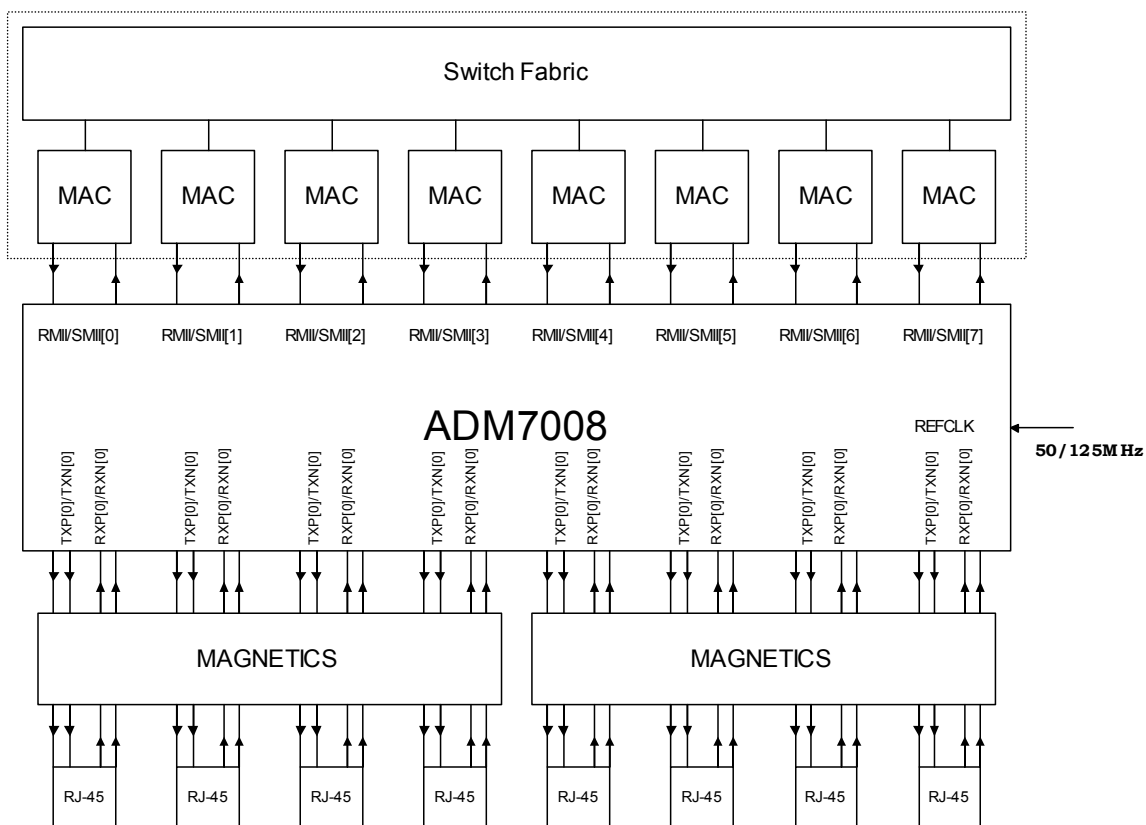


Figure 3-1 ADM7008 Switch Application (10/100M TP Mode)

ADM7008 consists of eight kinds of major blocks:

- Eight 10/100M PHY Blocks
- MAC Interface
- LED Display
- SMI
- Power Management

- Clock Generator
- Voltage Regulator

Each 10/100M PHY block contains:

- 10M PHY block
- 100M PHY block
- Auto-negotiation
- Cable Broken Detector
- Other Digital Control Blocks

3.1 10/100M PHY Block

The 100Base-X section of the device implements the following functional blocks :

- 100Base-X physical coding sub-layer (PCS)
- 100Base-X physical medium attachment (PMA)
- Twisted-pair PMD (TP-PMD) transceiver

The 100Base-X and 10Base-T sections share the following functional blocks :

- Clock synthesizer module
- MII Registers
- IEEE 802.3u auto negotiation

The interfaces used for communication between PHY block and switch core is MII interface.

3.1.1 100Base-X Module

ADM7008 implements 100Base-X compliant PCS and PMA and 100Base-TX compliant TP-PMD as illustrated in Figure 3-2. Bypass options for each of the major functional blocks within the 100Base-X PCS provides flexibility for various applications. 100 Mbps PHY loop back is included for diagnostic purpose.

3.1.2 100Base-TX Receiver

For 100Base-TX operation, the on-chip twisted pair receiver that consists of a differential line receiver, an adaptive equalizer and a base-line wander compensation circuits detects the incoming signal.

ADM7008 uses an adaptive equalizer that changes filter frequency response in accordance with cable length. The cable length is estimated based on the incoming signal strength. The equalizer tunes itself automatically for any cable length to compensate for the amplitude and phase distortions incurred from the cable.

The 100Base-X receiver consists of functional blocks required to recover and condition the 125 Mbps receive data stream. The ADM7008 implements the 100Base-X receiving state machine diagram as given in ANSI/IEEE Standard 802.3u, Clause 24. The 125 Mbps receive data stream may originate from the on-chip twisted-pair transceiver in a 100Base-TX application. Alternatively, the receive data stream may be generated by an external optical receiver as in a 100Base-FX application.

The receiver block consists of the following functional sub-blocks :

- A/D Converter
- Adaptive Equalizer and Timing Recovery Module
- NRZI/NRZ and Serial/Parallel Decoder
- Descrambler
- Symbol Alignment Block
- Symbol Decoder
- Collision Detect Block
- Carrier Sense Block
- Stream Decoder Block

A/D Converter

High performance A/D converter with 125M sampling rate converts signals received on RXP/RXN pins to 6 bits data streams; besides it possess auto-gain-control capability that will further improve receive performance especially under long cable or harsh detrimental signal integrity. Due to high pass characteristic on transformer, built in base-line-wander correcting circuit will cancel it out and restore its DC level.

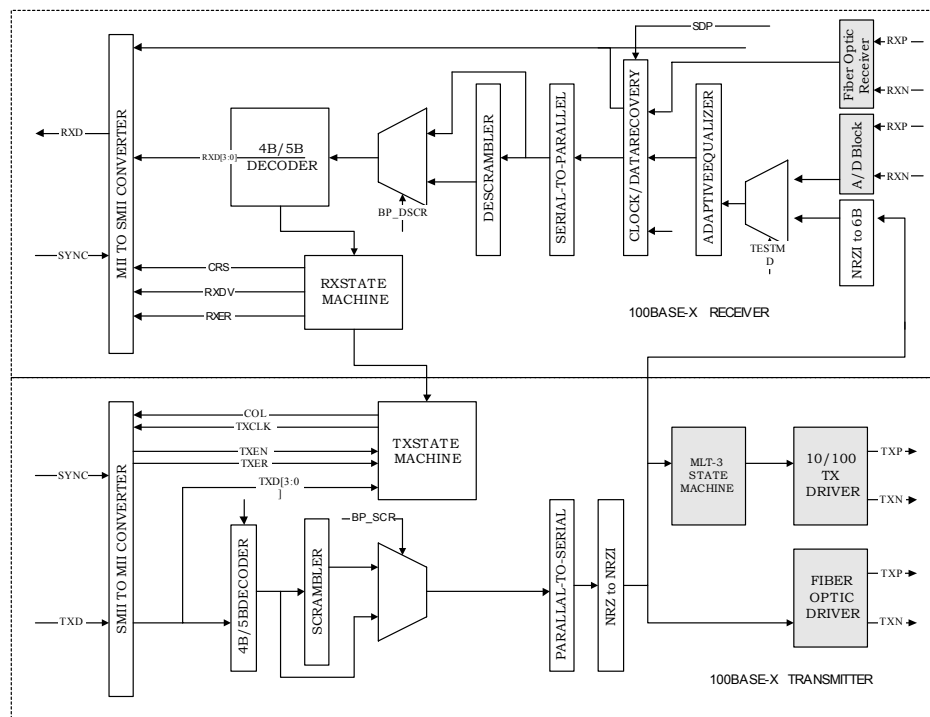


Figure 3-2 100Base-X Block Diagram and Data Path

Adaptive Equalizer and timing Recovery Module

All digital design is especial immune from noise environments and achieves better correlations between production and system testing. Baud rate Adaptive Equalizer/Timing Recovery compensates

line loss induced from twisted pair and tracks far end clock at 125M samples per second. Adaptive Equalizer implemented with Feed forward and Decision Feedback techniques meet the requirement of BER less than 10⁻¹² for transmission on CAT5 twisted pair cable ranging from 0 to 140 meters.

NRZI/NRZ and Serial/Parallel Decoder

The recovered data is converted from NRZI to NRZ. The data is not necessarily aligned to 4B/5B code group's boundary.

Data Descrambling

The descrambler acquires synchronization with the data stream by recognizing idle bursts of 40 or more bits and locking its deciphering Linear Feedback Shift Register (LFSR) to the state of the scrambling LFSR. Upon achieving synchronization, the incoming data is XORed by the deciphering LFSR and descrambled.

In order to maintain synchronization, the descrambler continuously monitors the validity of the unscrambled data that it generates. To ensure this, a link state monitor and a hold timer are used to constantly monitor the synchronization status. Upon synchronization of the descrambler the hold timer starts a 722 us countdown. Upon detection of at least 6 idle symbols (30 consecutive "1") within the 722 us period, the hold timer will reset and begin a new countdown. This monitoring operation will continue indefinitely given a properly operating network connection with good signal integrity. If the link state monitor does not recognize at least 6 unscrambled idle symbols within 722 us period, the descrambler will be forced out of the current state of synchronization and reset in order to re-acquire synchronization.

Symbol Alignment

The symbol alignment circuit in the ADM7008 determines code word alignment by recognizing the /J/K delimiter pair. This circuit operates on unaligned data from the descrambler. Once the /J/K symbol pair (11000 10001) is detected, subsequent data is aligned on a fixed boundary.

Symbol Decoding

The symbol decoder functions as a look-up table that translates incoming 5B symbols into 4B nibbles as shown in Table 3-1. The symbol decoder first detects the /J/K symbol pair preceded by idle symbols and replaces the symbol with MAC preamble. All subsequent 5B symbols are converted to the corresponding 4B nibbles for the duration of the entire packet. This conversion ceases upon the detection of the /T/R symbol pair denoting the end of stream delimiter (ESD). The translated data is presented on the internal RXD[3:0] signal lines with RXD[0] represents the least significant bit of the translated nibble.

PCS code-group [4:0]	Name	MII (TXD/RXD) <3:0>	Interpretation
11110	0	0000	Data 0
01001	1	0001	Data 1
10100	2	0010	Data 2
10101	3	0011	Data 3
01010	4	0100	Data 4
01011	5	0101	Data 5
01110	6	0110	Data 6
01111	7	0111	Data 7
10010	8	1000	Data 8
10011	9	1001	Data 9
10110	A	1010	Data A
10111	B	1011	Data B
11010	C	1100	Data C
11011	D	1101	Data D
11100	E	1110	Data E
11101	F	1111	Data F
11111	I	Undefined	IDLE used as inter-stream fill code
11000	J	0101	Start-of-Stream Delimiter, Part 1 of 2; always used in pairs with K
10001	K	0101	Start-of-Stream Delimiter, Part 2 of 2; always used in pairs with J
01101	T	Undefined	Start-of-Stream Delimiter, Part 1 of 2; always used in pairs with R
0111	R	Undefined	Start-of-Stream Delimiter, Part 2 of 2; always used in pairs with T
00100	H	Undefined	Transmit Error; used to force signaling errors
00000	V	Undefined	Invalid code
00001	V	Undefined	Invalid code
00010	V	Undefined	Invalid code
00011	V	Undefined	Invalid code
00101	V	Undefined	Invalid code
00110	V	Undefined	Invalid code
01000	V	Undefined	Invalid code
01100	V	Undefined	Invalid code
10000	V	Undefined	Invalid code
11001	V	Undefined	Invalid code

Table 3-1 Look-up Table for translating 5B Symbols into 4B Nibbles.

Valid Data Signal

The valid data signal (RXDV) indicates that recovered and decoded nibbles are being presented on the internal RXD[3:0] synchronous to receive clock, RXCLK. RXDV is asserted when the first nibble of translated /J/K is ready for transfer over the internal MII. It remains active until either the /T/R delimiter is recognized, link test indicates failure, or no signal is detected. On any of these conditions, RXDV is deasserted.

Receive Errors

The RXER signal is used to communicate receiver error conditions. While the receiver is in a state of holding RXDV asserted, the RXER will be asserted for each code word that does not map to a valid code-group.

100Base-X Link Monitor

The 100Base-X link monitor function allows the receiver to ensure that reliable data is being received. Without reliable data reception, the link monitor will halt both transmit and receive operations until such time that a valid link is detected.

The ADM7008 performs the link integrity test as outlined in IEEE 100Base-X (Clause 24) link monitor state diagram. The link status is multiplexed with 10 Mbits/s link status to form the reportable link status bit in serial management register 1h, and driven to the LNKACT pin.

When persistent signal energy is detected on the network, the logic moves into a Link-Ready state after approximately 500 us, and waits for an enable from the auto negotiation module. When receive, the link-up state is entered, and the transmission and reception logic blocks become active. Should auto negotiation be disabled, the link integrity logic moves immediately to the link-up state after entering the link-ready state.

Carrier Sense

Carrier sense (CRS) for 100 Mbits/s operation is asserted upon the detection of two noncontiguous zeros occurring within any 10-bit boundary of the received data stream.

The carrier sense function is independent of symbol alignment. In switch mode, CRS is asserted during either packet transmission or reception. For repeater mode, CRS is asserted only during packet reception. When the idle symbol pair is detected in the received data stream, CRS is deasserted. In repeater mode, CRS is only asserted due to receive activity. CRS is intended to encapsulate RXDV.

Bad SSD Detection

A bad start of stream delimiter (Bad SSD) is an error condition that occurs in the 100Base-X receiver if carrier is detected (CRS asserted) and a valid /J/K set of code-group (SSD) is not received.

If this condition is detected, then the ADM7008 will assert RXER and present RXD[3:0] = 1110 to the internal MII for the cycles that correspond to received 5B code-groups until at least two idle code-groups are detected. Once at least two idle code groups are detected, RXER and CRS become deasserted.

Far-End Fault

Auto negotiation provides a mechanism for transferring information from the Local Station to the link Partner that a remote fault has occurred for 100Base-TX. As auto negotiation is not currently specified for operation over fiber, the far end fault indication function (FEFI) provides this capability for 100Base-FX applications.

A remote fault is an error in the link that one station can detect while the other cannot. An example of this is a disconnected wire at a station's transmitter. This station will be receiving valid data and detect that the link is good via the link integrity monitor, but will not be able to detect that its transmission is not propagating to the other station.

A 100Base-FX station that detects such a remote fault may modify its transmitted idle stream from all ones to a group of 84 ones followed by a single 0. This is referred to as the FEFI idle pattern.

The FEFI function is controlled by bit 3 of register 11h. It is initialized to 1 (encoded) if the SELFX pin is at logic high level during power on reset. If the FEFI function is enabled the ADM7008 will halt all current operations and transmit the FEFI idle pattern when FOSD signal is de-asserted following a good link indication from the link integrity monitor. FOSD signal is generated internally from the internal signal detect circuit. Transmission of the FEFI idle pattern will continue until link up signal is asserted. If three or more FEFI idle patterns are detected by the ADM7008, then bit 4 of the Basic mode status register (address 1h) is set to one until read by management. Additionally, upon detection of far end fault, all receive and transmit MII activity is disabled/ignored.

3.1.3 100Base-TX Transmitter

ADM7008 implements a TP-PMD compliant transceiver for 100Base-TX operation. The differential transmit driver is shared by the 10Base-T and 100Base-TX subsystems. This arrangement results in one device that uses the same external magnetics for both the 10Base-T and the 100Base-TX transmission with simple RC component connections. The individually wave-shaped 10Base-T and 100Base-TX transmit signals are multiplexed in the transmission output driver selection.

ADM7008 100Base-TX transmission driver implements MLT-3 translation and wave-shaping functions. The rise/fall time of the output signal is closely controlled to conform to the target range specified in the ANSI TP-PMD standard.

3.1.4 100Base-FX Receiver

Signal is received through PECL receiver inputs from fiber transceiver, and directly passed to clock recovery circuit for data/clock recovery. Scrambler/de-scrambler is bypassed in 100Base-FX.

Automatic "Signal_Detect" Function Block

Due to pin limitation, ADM7008 doesn't support SDP/SDN in fiber mode, which is used to connect to fiber transceiver to indicate there is signal on the fiber. Instead, ADM7008 use the data on RXP/RXN to detect consecutive 65 "1" on the receive data (Recovered from RXP/RXN) to determine whether "Signal" is detected or not. When the detect condition is true (Consecutive 65 bits "1"), internal signal detect signal will be asserted to inform receive relative blocks to be ready for coming receive activities.

3.1.5 100Base-FX Transmitter

In 100Base FX transmit, the serial data stream is driven out as NRZI PECL signals, which enters fiber transceiver in differential-pairs form. Fiber transceiver should be available working at 3.3V environment.

3.1.6 10Base-T Module

The 10Base-T Transceiver Module is IEEE 802.3 compliant. It includes the receiver, transmitter, collision, heartbeat, loopback, jabber, waveshaper, and link integrity functions, as defined in the standard. Figure 3-3 provides an overview for the 10Base-T module.

The ADM7008 10Base-T module is comprised of the following functional blocks:

- Manchester encoder and decoder
- Collision detector
- Link test function
- Transmit driver and receiver
- Serial and parallel interface
- Jabber and SQE test functions
- Polarity detection and correction

3.1.7 Operation Modes

The ADM7008 10Base-T module is capable of operating in either half-duplex mode or full-duplex mode. In half-duplex mode, the ADM7008 functions as an IEEE 802.3 compliant transceiver with fully integrated filtering. The COL signal is asserted during collisions or jabber events, and the CRS signal is asserted during transmit and receive. In full duplex mode the ADM7008 can simultaneously transmit and receive data.

3.1.8 Manchester Encoder/Decoder

Data encoding and transmission begins when the transmission enable input (TXEN) goes high and continues as long as the transceiver is in good link state. Transmission ends when the transmission enable input goes low. The last transition occurs at the center of the bit cell if the last bit is a 1, or at the boundary of the bit cell if the last bit is 0.

A differential input receiver circuit accomplishes decoding and a phase-locked loop that separate the Manchester-encoded data stream into clock signals and NRZ data. The decoder detects the end of a frame when no more midbit transitions are detected. Within one and half bit times after the last bit, carrier sense is deasserted.

3.1.9 Transmit Driver and Receiver

The ADM7008 integrates all the required signal conditioning functions in its 10Base-T block such that external filters are not required. Only one isolation transformer and impedance matching resistors are needed for the 10Base-T transmit and receive interface. The internal transmit filtering ensures that all

the harmonics in the transmission signal are attenuated properly.

3.1.10 Smart Squelch

The smart squelch circuit is responsible for determining when valid data is present on the differential receive. The ADM7008 implements an intelligent receive squelch on the RXP/RXN differential inputs to ensure that impulse noise on the receive inputs will not be mistaken for a valid signal. The squelch circuitry employs a combination of amplitude and timing measurements (as specified in the IEEE 802.3 10Base-T standard) to determine the validity of data on the twisted-pair inputs.

The signal at the start of the packet is checked by the analog squelch circuit and any pulses not exceeding the squelch level (either positive or negative, depending upon polarity) will be rejected. Once this first squelch level is overcome correctly, the opposite squelch level must then be exceeded within 150ns. Finally, the signal must exceed the original squelch level within an additional 150ns to ensure that the input waveform will not be rejected.

Only after all these conditions have been satisfied will a control signal be generated to indicate to the remainder of the circuitry that valid data is present.

Valid data is considered to be present until the squelch level has not been generated for a time longer than 200 ns, indicating end of packet. Once good data has been detected, the squelch levels are reduced to minimize the effect of noise, causing premature end-of-packet detection. The receive squelch threshold level can be lowered for use in longer cable applications. This is achieved by setting bit 7 of register address 10h.

3.1.11 Carrier Sense

Carrier Sense (CRS) is asserted due to receive activity once valid data is detected via the smart squelch function. For 10 Mbps half duplex operation, CRS is asserted during either packet transmission or reception. For 10 Mbps full duplex and repeater mode operations, the CRS is asserted only due to receive activity.

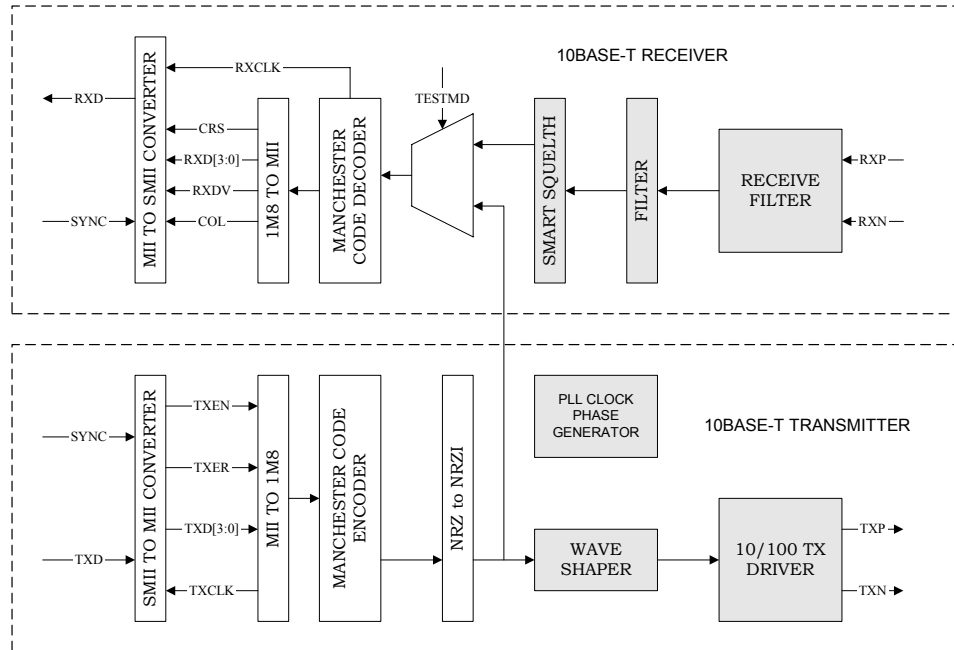


Figure 3-3 10Base-T Block Diagram and Data Path

3.1.12 Collision Detection

The SMII does not have a collision pin. Collision is detected internal to the MAC, which is generated by an AND function of TXEN and CRS derived from TXD and RXD, respectively. The internal MII will still generate the COL signal, but this information is not passed to the AMC via the SMII.

3.1.13 Jabber Function

The jabber function monitors the ADM7008 output and disables the transmitter if it attempts to transmit a longer than legal sized packet. If TXEN is high for greater than 24ms, the 10Base-T transmitter will be disabled. Once disabled by the jabber function, the transmitter stays disabled for the entire time that the TXEN signal is asserted. This signal has to be deasserted for approximately 408 ms (The un-jab time) before the jabber function re-enables the transmit outputs. The jabber function can be disabled by programming bit 0 of register address 10h to high.

3.1.14 Link Test Function

A link pulse is used to check the integrity of the connection with the remote end. If valid link pulses are not received, the link detector disables the 10Base-T twisted-pair transmitter, receiver, and collision detection functions.

The link pulse generator produces pulses as defined in IEEE 802.3 10Base-T standard. Each link pulse is nominally 100ns in duration and is transmitted every 16 ms, in the absence of transmit data. Setting bit 10 of register 10h to high can disable link pulse check function.

3.1.15 Automatic Link Polarity Detection

ADM7008's 10Base-T transceiver module incorporates an "automatic link polarity detection circuit". The inverted polarity is determined when seven consecutive link pulses of inverted polarity or three consecutive packets are received with inverted end-of-packet pulses. If the input polarity is reversed, the error condition will be automatically corrected and reported in bit 13 of register 11h.

3.1.16 Clock Synthesizer

The ADM7008 implements a clock synthesizer that generates all the reference clocks needed from a single external frequency source. The clock source must be a TTL level signal at 25 MHz +/- 50ppm.

3.1.17 Auto Negotiation

The Auto Negotiation function provides a mechanism for exchanging configuration information between two ends of a link segment and automatically selecting the highest performance mode of operation supported by both devices. Fast Link Pulse (FLP) Bursts provide the signaling used to communicate auto negotiation abilities between two devices at each end of a link segment. For further detail regarding auto negotiation, refer to Clause 28 of the IEEE 802.3u specification. The ADM7008 supports four different Ethernet protocols, so the inclusion of auto negotiation ensures that the highest performance protocol will be selected based on the ability of the link partner.

The auto negotiation function within the ADM7008 can be controlled either by internal register access or by the use of configuration pins are sampled. If disabled, auto negotiation will not occur until software enables bit 12 in register 0. If auto negotiation is enabled, the negotiation process will commence immediately.

When auto negotiation is enabled, the ADM7008 transmits the abilities programmed into the auto negotiation advertisement register at address 04h via FLP bursts. Any combination of 10 Mbits/s, 100 Mbits/s, half duplex and full duplex modes may be selected. Auto negotiation controls the exchange of configuration information. Upon successfully auto negotiation, the abilities reported by the link partner are stored in the auto negotiation link partner ability register at address 05h.

The contents of the "auto negotiation link partner ability register" are used to automatically configure to the highest performance protocol between the local and far-end nodes. Software can determine which mode has been configured by auto negotiation by comparing the contents of register 04h and 05h and then selecting the technology whose bit is set in both registers of highest priority relative to the following list.

1. 100Base-TX full duplex (highest priority)
2. 100Base-TX half duplex
3. 10Base-T full duplex
4. 10Base-T half duplex (lowest priority)

The basic mode control register at address 0h provides control of enabling, disabling, and restarting of the auto negotiation function. When auto negotiation is disabled, the speed selection bit (bit 13) controls switching between 10 Mbps or 100 Mbps operation, while the duplex mode bit (bit 8) controls switching between full duplex operation and half duplex operation. The speed selection and duplex

mode bits have no effect on the mode of operation when the auto negotiation enable bit (bit 12) is set.

The basic mode status register at address 1h indicates the set of available abilities for technology types (bit 15 to bit 11), auto negotiation ability (bit 3), and extended register capability (bit 0). These bits are hardwired to indicate the full functionality of the ADM7008. The BMSR also provides status on :

1. Whether auto negotiation is complete (bit 5)
2. Whether the Link Partner is advertising that a remote fault has occurred (bit 4)
3. Whether a valid link has been established (bit 2)

The auto negotiation advertisement register at address 4h indicates the auto negotiation abilities to be advertised by the ADM7008. All available abilities are transmitted by default, but writing to this register or configuring external pins can suppress any ability.

The auto negotiation link partner ability register at address 05h indicates the abilities of the Link Partner as indicated by auto negotiation communication. The contents of this register are considered valid when the auto negotiation complete bits (bit 5, register address 1h and bit 4, register 17h) is set.

3.1.18 Auto Negotiation and Speed Configuration

The twelve sets of four pins listed in Table 3-2 configure the speed capability of each channel of ADM7008. The logic state of these pins is latched into the advertisement register (register address 4h) for auto negotiation purpose. These pins are also used for evaluating the default value in the base mode control register (register 0h) according to Table 3-2.

3.2 MAC Interface

The ADM7008 interfaces to eight 10/100 Media Access Controllers (MAC) via the RMII, SMII, or Source Synchronous SMII (SS_SMII) Interface. All ports on the device operate in the same interface mode that is selected.

3.2.1 Reduced Media Independent Interface (RMII)

The reduced media Independent interface (RMII) is compliant to the RMII consortium's RMII Rev. 1.2 specification. The REFCLK pin that supplies the 50 MHz reference clock to the ADM7008 is used as the RMII REFCLK signal. All RMII signals with the exception of the assertion of CRSDV_P are synchronous to REFCLK. See figure 3-4

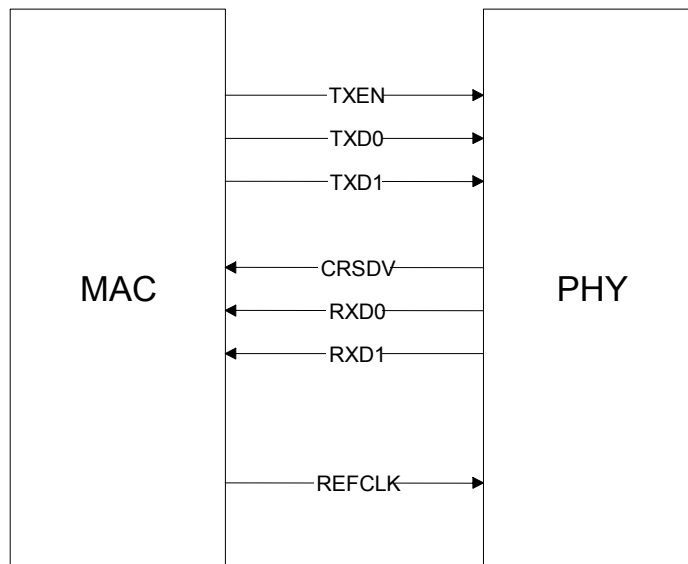


Figure 3-4 RMII Signal Diagram

3.2.2 Receive Path for 100M

Figure 3-5 shows the relationship among REFCLK, CRSDV_P, RXD0_P, RXD1_P and RXER_P while receiving a valid packet. Carrier sense is detected, which causes CRSDV_P to assert asynchronously to REFCLK. The received data is then placed into the FIFO for resynchronization. After a minimum of 12 bits are placed into the FIFO, the received data is presented onto RXD[1:0]_P synchronously to REFCLK. Note that while the FIFO is filling up RXD[1:0]_P is set to 00 until the first received di-bit of preamble (01) is presented onto RXD[1:0]_P. When carrier sense is de-asserted at the end of a packet, CRSDV_P is de-asserted when the first di-bit of a nibble is presented onto RXD[1:0]_P synchronously to REFCLK. If there is still data in the FIFO that has not yet been presented onto RXD[1:0]_P, then on the second di-bit of a nibble, CRSDV_P reasserts. This pattern of assertion and de-assertion continues until all received data in the FIFO has been presented onto RXD[1:0]_P.

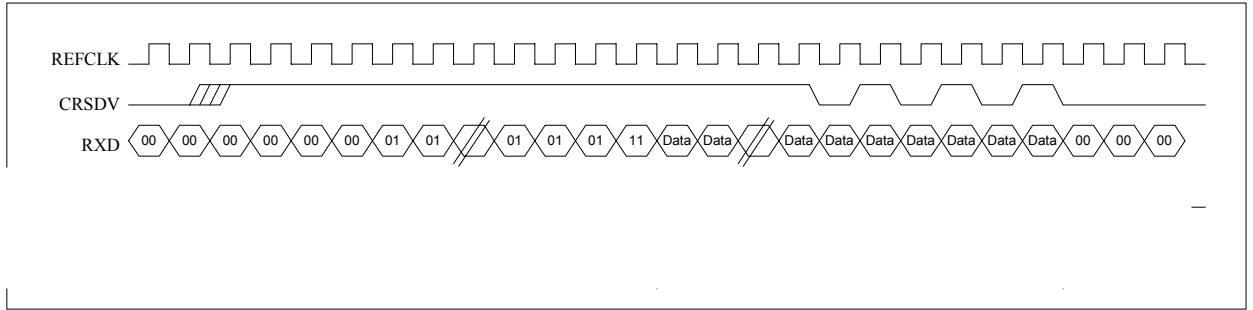


Figure 3-5 RMII Reception Without Error

3.2.3 Receive Path for 10M

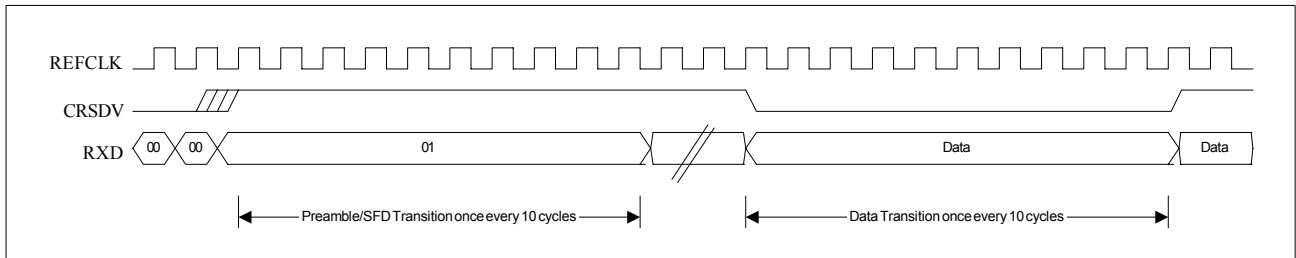


Figure 3-6 10M RMII Receive Diagram

In 10M Mode, RXER_P will maintain low all the time due to False Carrier and symbol error is not supported by 10M Mode. Different from 100M mode, RXD_P and CRSDV_P can transition once per 10 REFCLK cycles. After carrier sense is de-asserted yet the FIFO data is not fully presented onto RXD_P, the CRSDV_P de-assertion and re-assertion also follows this rule.

3.2.4 Transmit Path for 100M

Figure 3-7 shows the relationship among REFCLK, TXEN_P and TXD[1:0]_P during a transmit event. TXEN_P and TXD[1:0]_P are synchronous to REFCLK. When TXEN_P is asserted, it indicates that TXD[1:0]_P contains valid data to be transmitted. When TXEN_P is de-asserted, value on TXD[1:0]_P should be ignored. If an odd number of di-bits are presented onto TXD[1:0]_P and TXEN_P, the final di-bit will be discarded by AD2106.

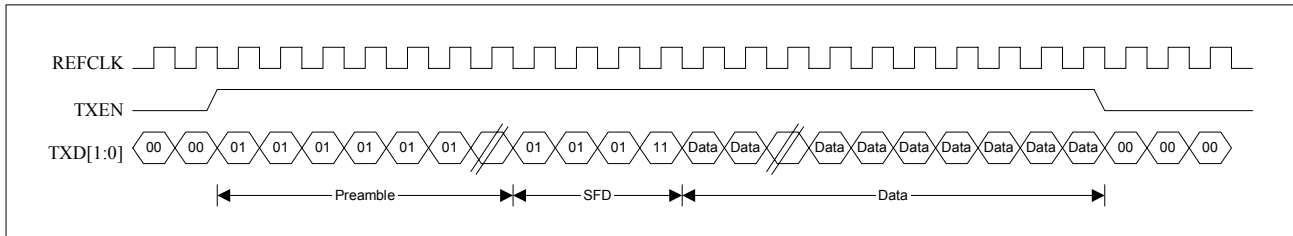


Figure 3-7 100M RMIITransmit Diagram

3.2.5 Transmit Path for 10M

In 10MBSE-T mode, each di-bit must be repeated 10 times by the MAC, TXEN_P and TXD[1:0]_P should be synchronous to REFCLK. When TXEN_P is asserted, it indicates that data on TXD[1:0]_P is valid for transmission.

In 10BASE-T mode, it is possible that the number of preamble bits and the number of frame bits received are not integer nibbles. The preamble is always padded up such that the SFD appears on the RMIITransmit aligned to the nibble boundary. Extra bits at the end of the frame that do not complete a nibble are truncated by AD2106. Figure 12 shows the timing diagram for 10M Transmission.

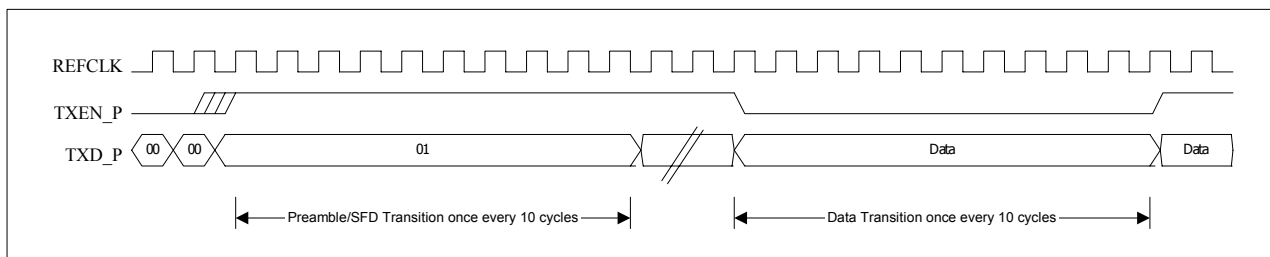


Figure 3-8 10M RMIITransmit Diagram

ANENDIS	Recommend Value		Auto Negotiation		Capability			
	REC_10M	TP_FULLDUPLEX	Enable	Disable	100 Full	100 Half	10 Full	10 Half
0	0	1	✓		✓	✓	✓	✓
0	0	0	✓			✓		✓
0	1	1	✓				✓	✓
0	1	0	✓					✓
1	0	1		✓	✓			
1	0	0		✓		✓		
1	1	1		✓			✓	
1	1	0		✓				✓

Table 3-2 Channel Configuration

3.2.6 Serial and Source Synchronous Media Independent Interface

The Synchronous Media Independent Interface (SMII) conforms to the SMII specification Rev. 2.1. The REFCLK pin that supplies the 125MHz reference clock to the ADM7008 is used as the SMII/Serial and Source Synchronous Media Independent Interface (SS_SMII) reference clock.

All SMII/SS_SMII signals are synchronous to REFCLK. The differences between SMII and SS_SMII are

1. SMII shares the same SYNC signal from MAC yet SS_SMII take TX_SYNC signal as synchronization input for transmission and output RX_SYNC to MAC for reception synchronization usage.
2. SMII use REFCLK (125MHz) for both receive and transmit blocks. SS_SMII takes TXCLK as transmit block reference clock and output an 125MHz RXCLK to MAC for receive usage. All signals output from ADM7008 are synchronous to RXCLK.

In this mode, REFCLK will be divided by 5 to generate 25M clock before it is fed into ADM7008 internal PLL block. SS_SMII mode is enabled by setting RSMODE1 (pin 43) to low and placing a pull up resistor on CRSDV_P6. In this mode, CRSDV_P[3] becomes RX_SYNC, CRSDV_P4 becomes RXCLK and TXEN_P4 acts as TX_SYNC.

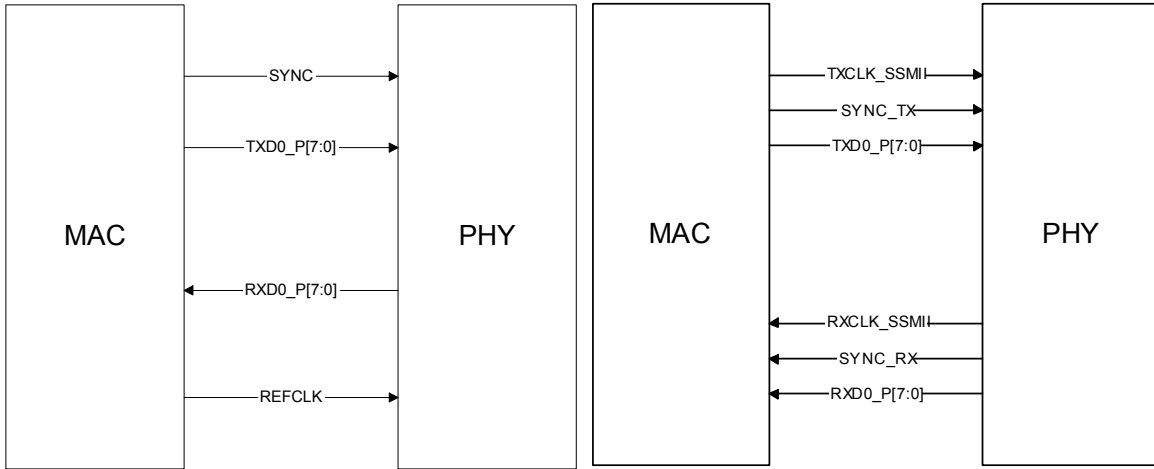


Figure 3-9 SMII Signal Diagram

Figure 3-10 SS_SMI Signal Diagram

3.2.7 100M Receive Path

Received data and control information is grouped in 10-bit segments that are delimited by the SYNC signal in SMII mode (or SYNC_RX in SS_SMI mode) as shown in figure 15. Each segment represents a new byte of data.

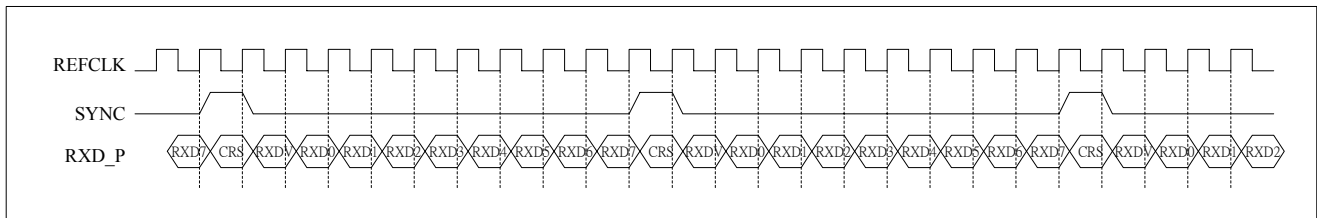


Figure 3-11 100M SMII Receive Timing Diagram

In SS_SMI mode, REFCLK and SYNC are no longer common for both transmit and receive blocks. They are renamed to RXCLK and RX_SYNC.

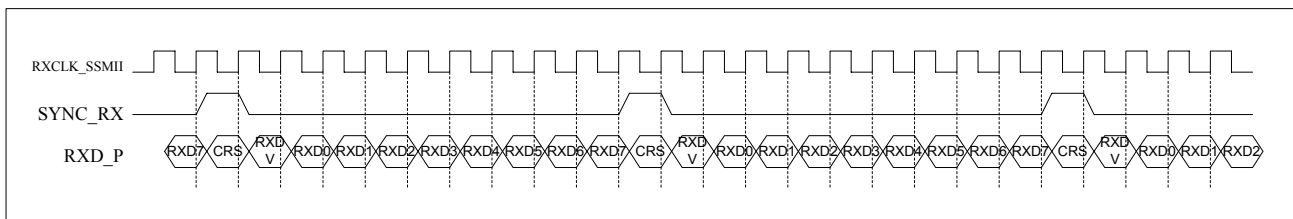


Figure 3-12 100M SS_SMI Receive Timing Diagram

In SMII mode, when RXDV bit is high, RXD[7:0] are used to convey packet data; when RXDV bit is

low, RXD[7:0] are carrying PHY status. See Table 3-3 for more detail.

CRS	RXDV	RXD0	RXD1	RXD2	RXD3	RXD4	RXD5	RXD6	RXD7
X	0	RXER From Previous Frame	Speed 0 = 10Mb/s 1 = 100Mb/s	Duplex 0 = Half 1 = Full	Link 0 = Down 1 = Up	Jabber 0 = O.K. 1 = Error	Upper Nibble 0 = Invalid 1 = Valid	False Carrier 0 = NO 1 = Detected	1
X	1	One Data Byte (Two MII Data Nibble)							

Table 3-3 Receive Data Encoding for SMII/SS_SMII mode

3.2.8 10M Receive Path

Similar to 100M Receive path except that each segment is repeated 10 times. The MAC can sample any one of every 10 segments in 10BASE-T mode. The MAC also has to generate a SYNC pulse once every 10 clock cycles.

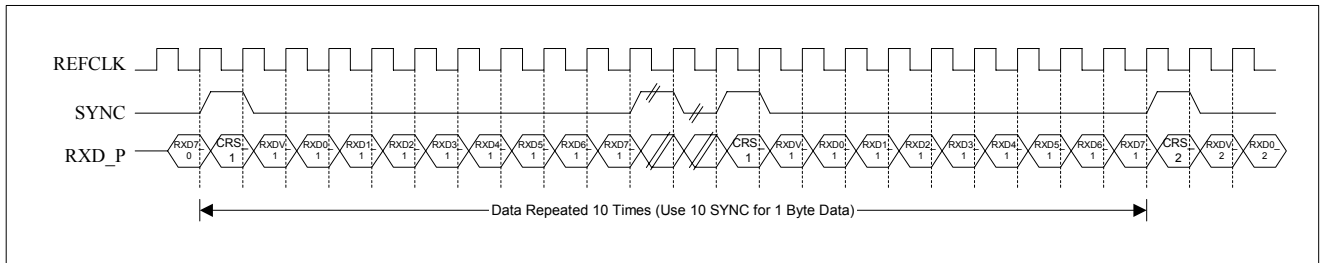


Figure 3-13 10M SMII Receive Timing Diagram

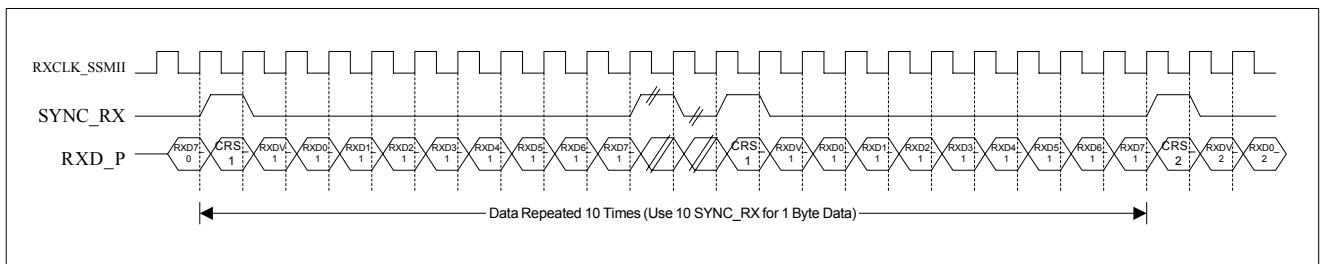


Figure 3-14 10M SS_SMII Receive Timing Diagram

3.2.9 100M Transmit Path

Similar to 100M Receive path, transmit data is grouped in 10-bit segments that are delimited by the SYNC signal (or TX_SYNC in SS_SMI mode), each segment represents a new byte of data. See Figure 3-15 for 100M SMI transmit timing diagram and Figure 3-16 for SS_SMI timing diagram.

In SS_SMI mode, REFCLK and SYNC are no longer commonly used for both transmit and receive blocks. They are renamed to TXCLK and TX_SYNC. When TXEN bit is low, data on TXD[7:0] will be ignored by ADM7008. See Table 3-4 transmit data encoding for more detail.

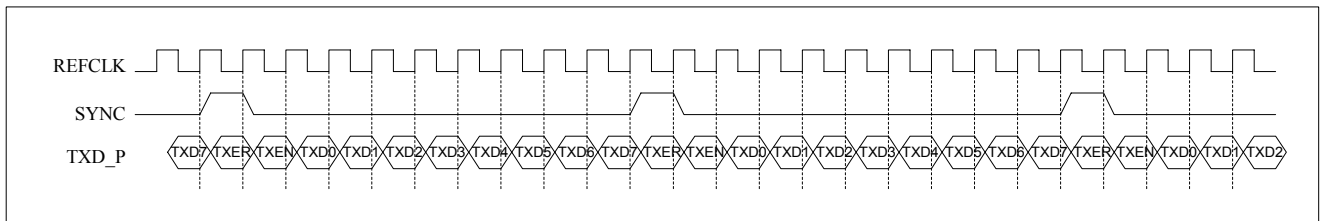


Figure 3-15 100M SMI Transmit Timing Diagram

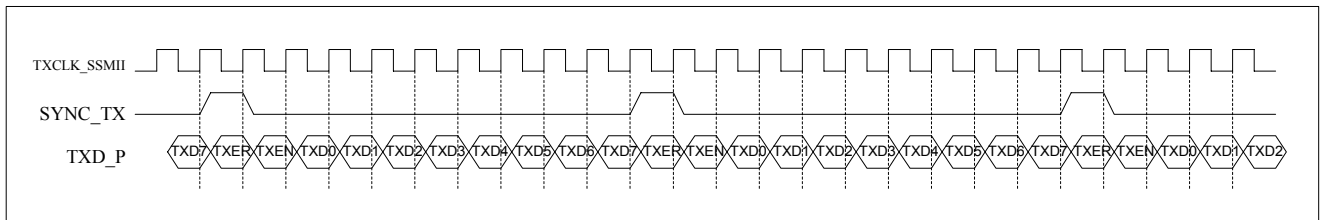


Figure 3-16 100M SS_SMI Transmit Timing Diagram

3.2.10 10M Transmit Path

In 10BASE-T mode, each segment must be repeated 10 times by the MAC. In this mode, the MAC must generate the same data in each of the 10 segments. ADM7008 will sample the incoming data at the 5th SYNC (or SYNC_TX) location.

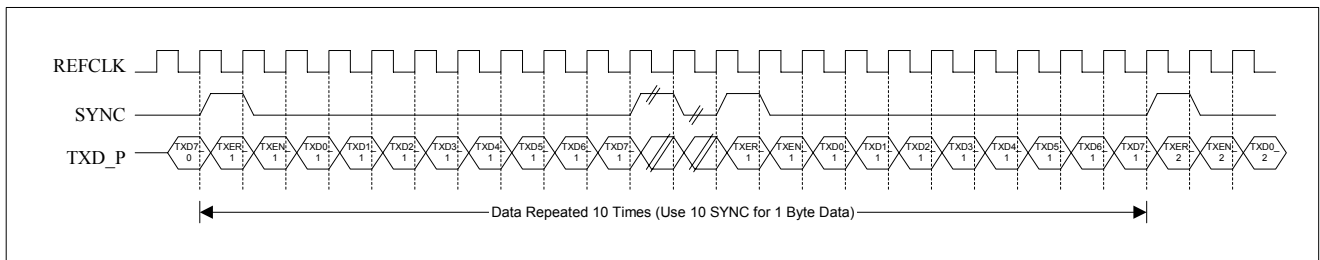


Figure 3-17 10M SMI Transmit Timing Diagram

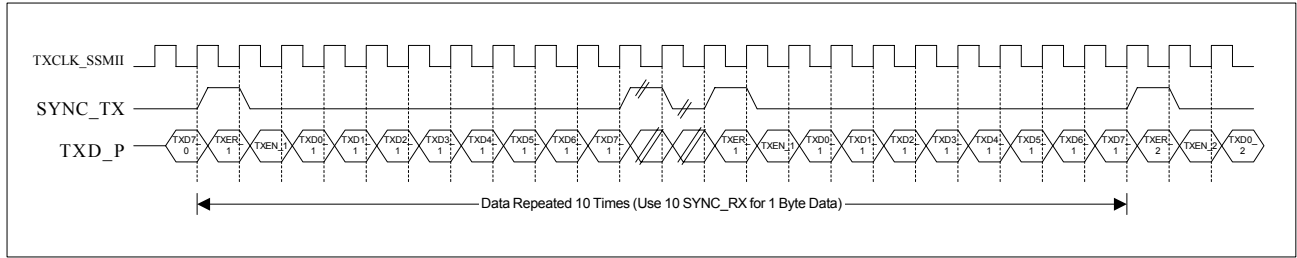


Figure 3-18 10M SS_SMIIT Transmit Timing Diagram

3.3 LED Display

Register 19 is used for different mode LED display. There are two kind of led display mechanisms provided by ADM7008: single and dual color LED mode, either mode provides power on LED self test to minimize and ease the system test LED cost.

3.3.1 Single Color LED

When Single Color LED is programmed (DUALLED is set to low during power on reset), all ports LED will be Off during power on reset (Output value same as recommend value on LED pins). After power on reset, all internal parallel LEDs will be On for 2 seconds, internal parallel LED status will be streamed out through LED_DATA and this signal is output by ADM7008 at the falling edge of LED_CLK. Before describing the serial LED output data format, we tend to describe the meaning of internal parallel LEDs.

There are three types of LED supported by ADM7008 internally. The first is LNKACT, which represents the status of Link and Transmit/Receive Activity; the second is SPDLED, which indicates the speed status and the last is DUPCOL, which shows pure duplex status in full duplex and duplex/collision combined status in half duplex. All these three LED can be controlled by Register 19 to change display contents.

After LED self test, Table 3-4, 3-5 and 3-6 show the On/Off polarity according to different recommended value setting for SPDLED, DUPCOL and LNKACT. When the recommend value is high, ADM7008 will drive LED LOW; ADM7008 will drive the LED HIGH when the recommend value is low, instead.

SPEED	SPDLED
10M	1
100M	0
LINK FAIL	1

Table 3-4 Speed LED Display

DUPLEX	DUPCOL	
	HALF	FULL
LINK UP	Blink (HIGH) When Collision	LOW All the Time
LINK FAIL	HIGH All the Time	HIGH All the Time

Table 3-5 Duplex LED Display

SPEED	Link/Activity	
	Link	Activity
LINK UP	LOW	Blink (HIGH) When RX/TX
LINK FAIL	HIGH All the Time	HIGH All the Time

Table 3-6 Activity/Link LED Display

3.3.2 Dual Color LED

When Dual Color LED is programmed (DUALLED is set to high during power on reset), all ports LED will be off during power on reset (Output high on LNKACT and SPDLED and output recommend value on DUPCOL). After power on reset, all LEDs will be on for 1 seconds to test 10M mode LNKACT/SPDLED connection and on for another 1 second to test 100M mode LNKACT/SPDLED wire connection. This period allow manufacture operator to check whether the LED wire connection on PCB board is correct or not.

After LED self-test, Table 3-7 and Table 3-8 show the On/Off polarity according to different speed detected by ADM7008. DUPCOL is always set to single color mode display no matter the value of DUALLED is.

SPEED	SPDLED
10M	0
100M	1
LINK FAIL	0

Table 3-7 Speed LED Display

SPEED	LNKACT	
	Link	Activity
100M LINK UP	LOW	Blink (HIGH) When RX/TX
10M LINK UP	HIGH	Blink (LOW) When RX/TX
LINK FAIL	Low All the Time	Low All the Time

Table 3-8 Activity/Link LED Display

3.3.3 Serial Output LED Status

Internal LED status will be streamed output through two pins – LED_DATA and LED_CLK, where LED_DATA is used to indicate internal 8 port LED status and synchronous to LED_CLK.

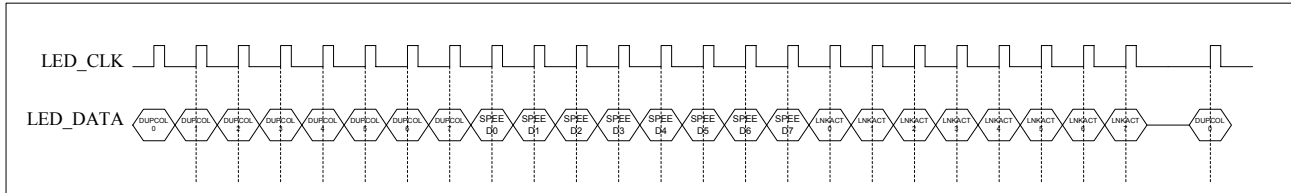


Figure 3-19 Stream LED under RMII Mode

The high duration for LED_CLK is 40ns and the low duration is 600ns to form 640ns period clock. ADM7008 will burst 24 bit status in one time in order to display internal LINK/Activity, Duplex/Collision and Speed status. When a burst is completed, LED_CLK will keep low for 40 ms and system can use it to distinguish between two bursts.

3.4 Management Register Access

The SMI consists of two pins, management data clock (MDC) and management data input/output (MDIO). The ADM7008 is designed to support an MDC frequency specified in the IEEE specification of up to 2.5 MHz. The MDIO line is bi-directional and may be shared by up to 32 devices.

The MDIO pin requires a 1.5 K Ω pull-up which, during idle and turnaround periods, will pull MDIO to a logic one state. Each MII management data frame is 64 bits long. The first 32 bits are preamble consisting of 32 contiguous logic one bits on MDIO and 32 corresponding cycles on MDC. Following preamble is the start-of-frame field indicated by a <01> pattern. The next field signals the operation code (OP) : <10> indicates read from MII management register operation, and <01> indicates write to MII management register operation. The next two fields are PHY device address and MII management register address. Both of them are 5 bits wide and the most significant bit is transferred first.

During Read operation, a 2-bit turn around (TA) time spacing between the register address field and data field is provided for the MDIO to avoid contention. Following the turnaround time, a 16-bit data stream is read from or written into the MII management registers of the ADM7008.

3.4.1 Preamble Suppression

The ADM7008 supports a preamble suppression mode as indicated by an 1 in bit 6 of the basic mode status register (Register 1h). If the station management entity (i.e. MAC or other management controller) determines that all PHYs in the system support preamble suppression by reading a 1 in this bit, then the station management entity needs not generate preamble for each management transaction.

The ADM7008 requires a single initialization sequence of 32 bits of preamble following powerup/hardware reset. This requirement is generally met by pulling-up the resistor of MDIO. While the ADM7008 will respond to management accesses without preamble, a minimum of one idle bit between management transactions is required as specified in IEEE 802.3u.

When ADM7008 detects that there is physical address match, then it will enable Read/Write capability for external access. When neither physical address nor register address is matched, then ADM7008 will tri-state the MDIO pin.

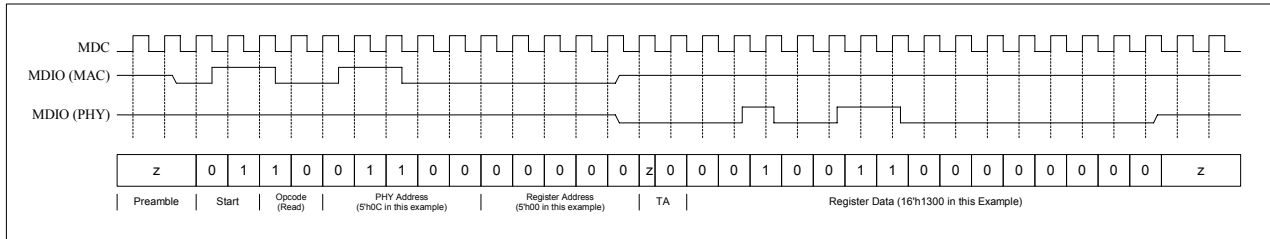


Figure 3-20 SMI Read Operation

3.4.2 Reset Operation

The ADM7008 can be reset either by hardware or software. A hardware reset is accomplished by applying a negative pulse, with duration of at least 100 ms to the RST_N pin of the ADM7008 during normal operation to guarantee internal Power On Reset Circuit is reset well. Software reset is activated by setting the reset bit in the basic mode control register (bit 15, register 0h). This bit is self-clearing and, when set, will return a value of 1 until the software reset operation has completed, please note that internal SRAM will not be reset during software reset.

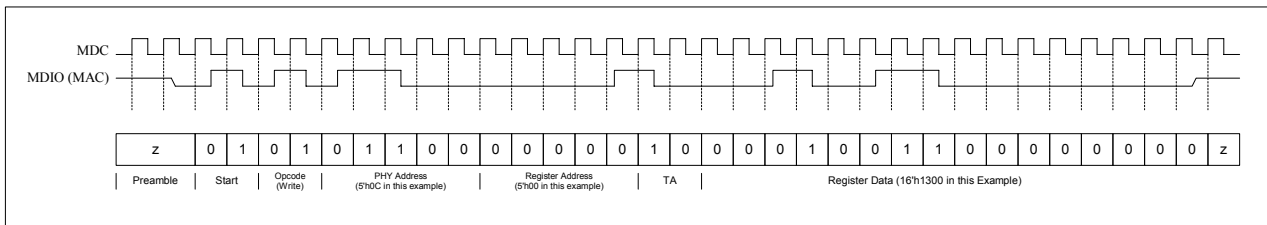


Figure 3-21 SMI Write Operation

Hardware reset operation samples the pins and initializes all registers to their default values. This process includes re-evaluation of all hardware configurable registers. A hardware reset affects all the eight PHYs in the device.

A software reset can reset an individual PHY and it does not latch the external pins nor reset the registers to their respective default value.

Logic levels on several I/O pins are detected during a hardware reset to determine the initial functionality of ADM7008. Some of these pins are used as output ports after reset operation.

Care must be taken to ensure that the configuration setup will not interfere with normal operation. Dedicated configuration pins can be tied to VCC or Ground directly. Configuration pins multiplexed with logic level output functions should be either weakly pulled up or weakly pulled down through resistors. Configuration pins multiplexed with LED outputs should be set up with one of the following circuits shown in Figure 3-21.

3.5 Power Management

There are two types of power saving mode provided by ADM7008: Receive Power Saving (So Called Medium Detect Power Saving) and Transmit Power Saving Mode (So Called Low Power Link Pulse power saving mode).

3.5.1 Medium Detect Power Saving

An analog block is designed for carrier sense detecting. When there is no carrier sense presented on medium (cable not attached), then “SIGNAL DETECT” will not be ON. Whenever cable is attached to ADM7008 and the voltage threshold is above +/- 50mV, then SD will be asserted HIGH to indicate that there is cable attached to ADM7008. All internal blocks except Management block will be disabled (reset) before SD is asserted.

When SD is asserted, internal Auto Negotiation block will be turned on and the 10M transmit driver will also be turned on for auto negotiation process. Auto negotiation will issue control signals to control 10M receive and 100M A/D block according to different state in arbitration block diagram. During auto negotiation, all digital blocks except management and link monitor blocks will be disabled to reduce power consumption.

Whenever operating speed is determined (Either auto negotiation is On or Off), the non-active speed relative circuit will be disabled all the time to save more power. For example, when corresponding port is operating on 10M, then 100M relative blocks will be disabled and 10M relative blocks will be disabled whenever corresponding port is in 100M mode. Auto negotiation block will be reset when SD signal goes from high to low. See Figure 3-22 for the state diagram for this algorithm.

3.5.2 Transmit Power Saving

In ADM7008, enabling TX Power Saving Feature could save transmit power before any link partner trying to link up. Two transmit power saving methods are applied to ADM7008 by register 17.5 configuration. When setting register 17.5 to “0”, the transmit- driver will lower the driving current all the time to save power before the receiver detects signals coming in. When setting to “1”, ADM7008 transmit Low-power Link Pulse (LLP) to the cable. The waveform of LLP is the same as NLP and FLP, the difference is the period of LLP is around 100ms. Besides the longer period, ADM7008 also lower the transmit-driving current between sending a pulse and a pulse. The TX Power Saving Feature is activated by setting ADM7008 of N-way or 10M capabilities. See Figure 3-23 for reference.

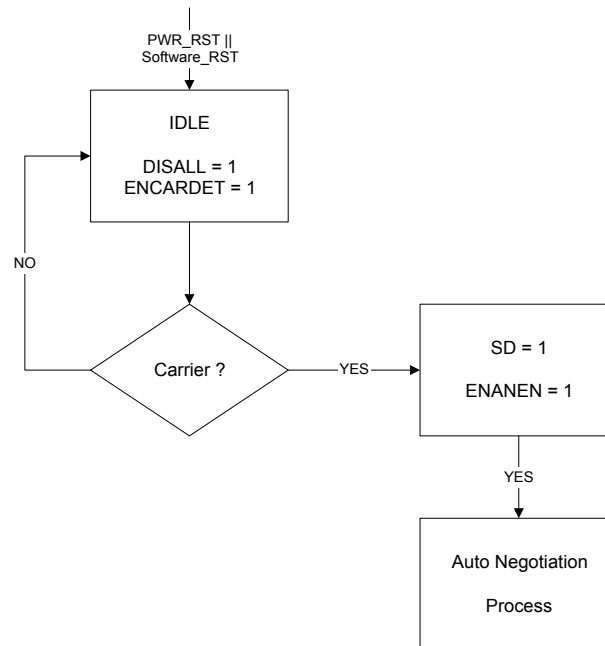


Figure 3-22 Medium Detect Power Management Flow Chart

Another way to reduce instant power is to separate the LED display period. All 24 LEDs will be divided into 24 time frame and each time frame occupies 1 us. One and only one LED will be driven at each time frame to reduce instant current consumed from LED.

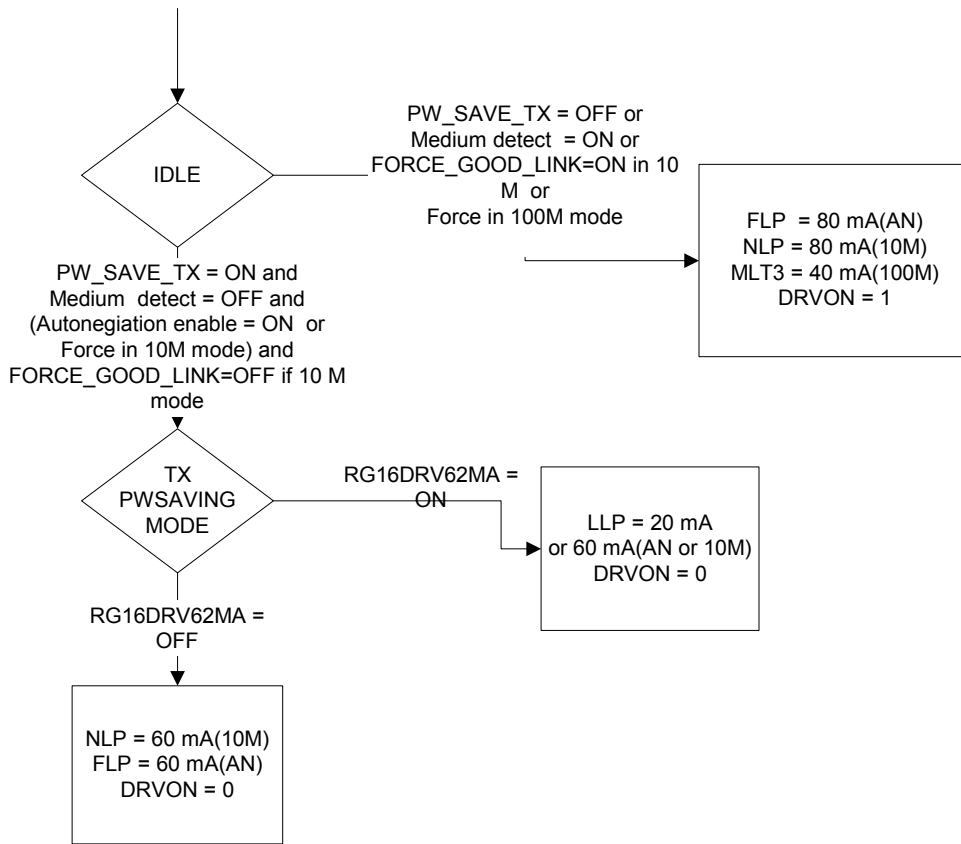


Figure 3-23 Low Power Link Pulse during TX for Power Management

3.6 Voltage Regulator

ADM7008 requires two different levels, 3.3V and 1.8V, of voltage supply to provide the power to different parts of circuitry inside the chip. ADM7008 has a build-in voltage regulator circuitry to generate the 1.8V voltage from 3.3V power source. Therefore, an external PNP power transistor is also needed and the block diagram of voltage regulator is shown as below.

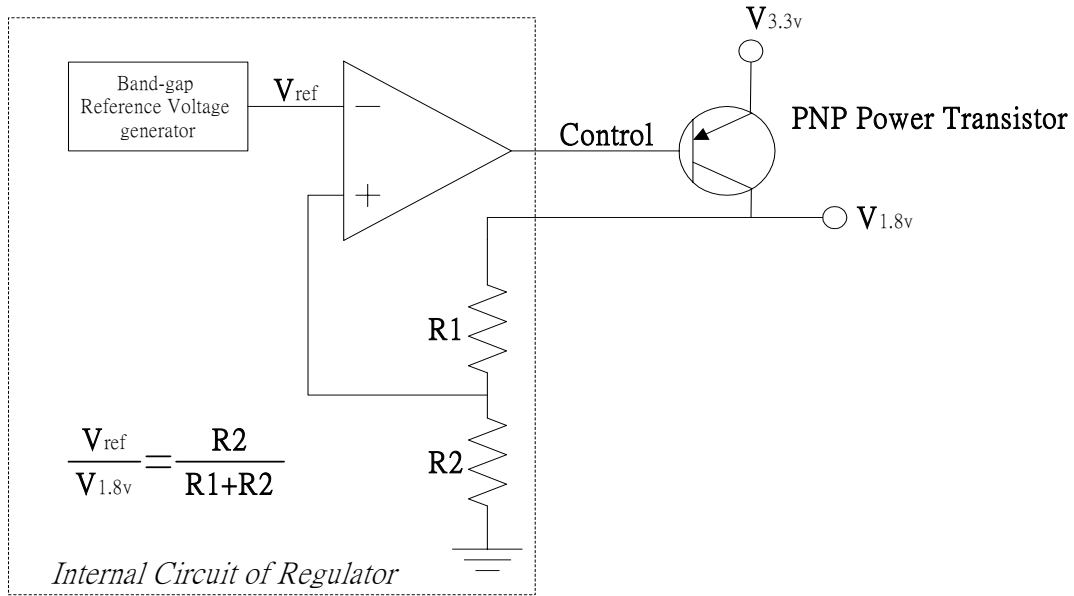


Figure 3-24 External PNP Power Transistor Diagram

Chapter 4 Register Description

Note:

Please refer to section ‘1.5.2 Register Type Descriptions’ for an explanation of pin abbreviations.

4.1 Register Mapping

Address	Register Name	Default
0h	Control Register	3100
1h	Status Register	7849
2h – 3h	PHY Identifier Register 2h=002E, 3h=CC23	002E, CC23
4h	Auto Negotiation Advertisement Register	01E1
5h	Auto Negotiation Link Partner Ability Register	01E1
6h	Auto Negotiation Expansion Register	0004
7h - Fh	Reserved	Reserved
10h	PHY Control Register	1000
11h	PHY 10M Configuration Register	0008
12h	PHY 100M Configuration Register	0022
13h	LED Configuration Register	0A34
14h	Interrupt Enable Register	03FF
16h	PHY Generic Status Register	0000
17h	PHY Specific Status Register	0060
18h	Recommend Value Storage Register	0000
19h	Global Interrupt Status Register	0000
1Dh	Receive Error Counter	0000
1Eh	Chip ID Register “AT”	8818
1Fh	Global Interrupt Register (Only available in port 0)	0000

4.2 Register Bit Mapping

4.2.1 Register #0h -- Control Register

15	14	13	12	11	10	9	8	7	6	5	4	3	2	1	0
RST	LPBK	SPD L	ANEN	PDN	ISO	RSTAR	DPLX	COLTST	SPDMSB	0	0	0	0	0	0
R/W	R/W	R/W	R/W	R/W	R/W	R/W	PIN	R/W	R/W	RO	RO	RO	RO	RO	RO

4.2.2 Register #1h – Status Register

15	14	13	12	11	10	9	8	7	6	5	4	3	2	1	0
CAPT4	TXFUL	TXHALF	TFUL	THALF	CAPT2	0	0	0	MFSUP	ANCOMP	RMFLT	ANEN	LINK	JAB	EXTCAP
RO	RO	RO	RO	RO	RO	RO	RO	RO	RO	RO	RO	RO	RO	RO	RO

4.2.3 Register #2h – PHY ID Register (002E)

4.2.4 Register #3h – PHY ID Register (CC11)

4.2.5 Register #4h – Advertisement Register

15	14	13	12	11	10	9	8	7	6	5	4	3	2	1	0
NPAGE	0	RF	0	ASM DIR	PAUSE	T4	FDX100	HDX100	FDX10	HDX10	0	0	0	0	1
R/W	RO	R/W	RO	R/W	R/W	RO	R/W	R/W	R/W	R/W	RO	RO	RO	RO	RO

4.2.6 Register #5h – Link Partner Ability Register

15	14	13	12	11	10	9	8	7	6	5	4	3	2	1	0
NPAGE	ACK	RF	0	LP DIR	LP PAU	LP T4	LP FDX	LP HDX	LP F10	LP H10	0	0	0	0	1
RO	RO	RO	RO	RO	RO	RO	RO	RO	RO	RO	RO	RO	RO	RO	RO

4.2.7 Register #6h – Auto Negotiation Expansion Register

15	14	13	12	11	10	9	8	7	6	5	4	3	2	1	0
0	0	0	0	0	0	0	0	0	0	0	PDFLT	LPNPAB	NPABLE	PGRCV	LPANAB
RO	RO	RO	RO	RO	RO	RO	RO	RO	RO	RO	RO	RO	RO	RO	RO

4.2.8 Register #7h – # Fh Reserved

4.2.9 Register #10h – PHY Configuration Register

15	14	13	12	11	10	9	8	7	6	5	4	3	2	1	0
IFSEL	0	0	0	0	0	0	0	0	0	0	XOVEN	0	0	0	DISPMG
RO	RO	RO	RO	RO	RO	RO	RO	RO	RO	RO	R/W	R/W	R/W	RO	R/W

4.2.10 Register #11h – 10M Configuration Register

15	14	13	12	11	10	9	8	7	6	5	4	3	2	1	0
0	0	0	0	0	0	0	0	0	0	DRV62mA	APDIS	ENRJAB	DISTJAB	NTH	FGDLNK
RO	RO	RO	RO	RO	RO	RO	RO	RO	RO	R/W	R/W	R/W	R/W	R/W	R/W

4.2.11 Register #12h – 100M Configuration Register

15	14	13	12	11	10	9	8	7	6	5	4	3	2	1	0
0	0	0	0	0	0	0	0	SELFX	0	0	DISSCR	ENFEFI	0	1	0
RO	RO	RO	RO	RO	RO	RO	RO	R/W	RO	RO	R/W	R/W	RO	RO	RO

4.2.12 Register #13h – LED Configuration Register

15	14	13	12	11	10	9	8	7	6	5	4	3	2	1	0
0	0	0	0	LNKC3	LNKC2	LNKC1	LNKC0	DUPC3	DUPC2	DUPC1	DUPC0	SPDC3	SPDC2	SPDC1	SPDC0
RO	RO	RO	RO	R/W	R/W	R/W	R/W	R/W	R/W	R/W	R/W	R/W	R/W	R/W	R/W

4.2.13 Register #14h – Interrupt Enable Register

15	14	13	12	11	10	9	8	7	6	5	4	3	2	1	0
0	0	0	0	0	0	XOVCHG	SPDCHG	DUPCHG	PGRCHG	LNKCHG	SYMERR	FCAR	FOURUN	TJABINT	RJABINT
RO	RO	RO	RO	RO	RO	R/W	R/W	R/W	R/W	R/W	R/W	R/W	R/W	R/W	R/W

4.2.14 Register #16h – PHY Generic Status Register

15	14	13	12	11	10	9	8	7	6	5	4	3	2	1	0
0	0	CBBRK	BRK1	BRK0	MD	FXEN	XOVER	CBLN7	CBLN6	CBLN5	CBLN4	CBLN3	CBLN2	CBLN1	CBLN0
RO	RO	RO	RO	RO	RO	RO	RO	RO	RO	RO	RO	RO	RO	RO	RO

4.2.15 Register #17h – PHY Specific Status Register

15	14	13	12	11	10	9	8	7	6	5	4	3	2	1	0
0	0	0	0	JABRX	JABTX	POLAR	PAUOUT	PAUIN	DUPLEX	SPEED	LINK	RECPAU	RECDUP	RECSPD	RECAN
RO	RO	RO	RO	RO	RO	RO	RO	RO	RO	RO	RO	RO	RO	RO	RO

4.2.16 Register #18h – Recommend Value Storage Register

15	14	13	12	11	10	9	8	7	6	5	4	3	2	1	0
PWRDN	RECAN	SELFX	REC100	RECFUL	PAUREC	DISFEFI	XOVEN	XOVER	RMII SMII	REPEATER	PHYA4	PHYA3	PHYA2	PHYA1	PHYA0
RO	RO	RO	RO	RO	RO	RO	RO	RO	RO	RO	RO	RO	RO	RO	RO

4.2.17 Register #19h – Interrupt Status Register

15	14	13	12	11	10	9	8	7	6	5	4	3	2	1	0
0	0	0	0	0	0	XOVCHG	SPDCHG	DUPCHG	PGRCHG	LNKCHG	SYMERR	FCAR	FOURUN	TJABINT	RJABINT
RO	RO	RO	RO	RO	RO	RO	RO	RO	RO	RO	RO	RO	RO	RO	RO

4.2.18 Register #1dh – Receive Error Counter

15	14	13	12	11	10	9	8	7	6	5	4	3	2	1	0
ERB15	ERB14	ERB13	ERB12	ERB11	ERB10	ERB9	ERB8	ERB7	ERB6	ERB5	ERB4	ERB3	ERB2	ERB1	ERB0
RO	RO	RO	RO	RO	RO	RO	RO	RO	RO	RO	RO	RO	RO	RO	RO

4.2.19 Register #1eh – Chip ID (8888)

15	14	13	12	11	10	9	8	7	6	5	4	3	2	1	0
CID33	CID32	CID31	CID30	CID23	CID22	CID21	CID20	CID13	CID12	CID11	CID10	CID03	CID02	CID01	CID00
RO	RO	RO	RO	RO	RO	RO	RO	RO	RO	RO	RO	RO	RO	RO	RO

4.2.20 Register #1fh – Total Interrupt Status (only For Port 0)

15	14	13	12	11	10	9	8	7	6	5	4	3	2	1	0
INT7	INT6	INT5	INT4	INT3	INT2	INT1	INT0	0	0	0	0	0	0	0	0
RO	RO	RO	RO	RO	RO	RO	RO	RO	RO	RO	RO	RO	RO	RO	RO

4.3 Register Description

4.3.1 Control (Register 0h)

Bit #	Name	Description	Type	Default	Interface
15	RST	<i>RESET</i> 1: PHY Reset 0: Normal operation Setting this bit initiates the software reset function that resets the selected port, except for the phase-locked loop circuit. It will re-latch in all hardware configuration pin values. The software reset process takes 25us to complete. This bit, which is self-clearing, returns a value of 1 until the reset process is complete.	R/W SC	0h	1. Updated by MDC/MDIO. 2. Connect to Central Control Block to Generate Reset Signal.
14	LPBK	<i>Back Enable</i> 1: Enable loop back mode 0: Disable Loop back mode This bit controls the PHY loop back operation that isolates the network transmitter outputs (TXP and TXN) and routes the MII transmit data to the MII receive data path. This function should only be used when auto negotiation is	R/W	0h	1. Updated by MDC/MDIO Only. Control the Wire connection in Driver

Bit #	Name	Description	Type	Default	Interface												
		disabled (bit12 = 0). The specific PHY (10Base-T or 100Base-X) used for this operation is determined by bits 12 and 13.															
13	SPEED_LSB	<p><i>Speed Selection LSB</i></p> <p>0.60.13</p> <table border="0"> <tr> <td>0</td> <td>0</td> <td>10 Mbps</td> </tr> <tr> <td>0</td> <td>1</td> <td>100 Mbps</td> </tr> <tr> <td>1</td> <td>0</td> <td>1000 Mbps</td> </tr> <tr> <td>1</td> <td>1</td> <td>Reserved</td> </tr> </table> <p>Link speed is selected by this bit or by auto negotiation if bit 12 of this register is set (in which case, the value of this bit is ignored).</p>	0	0	10 Mbps	0	1	100 Mbps	1	0	1000 Mbps	1	1	Reserved	R/W	1h	When Auto Negotiation is enable, this pin has no effect.
0	0	10 Mbps															
0	1	100 Mbps															
1	0	1000 Mbps															
1	1	Reserved															
12	ANEN	<p><i>Auto Negotiation Enable</i></p> <p>1: Enable auto negotiation process 0: Disable Auto negotiation process</p> <p>This bit determines whether the link speed should set up by the auto negotiation process or not. It is set at power up or reset if the PI_RECANEN pin detects a logic 1 input level in Twisted-Pair Mode.</p>	R/W	1h	This bit ANDED with PI_RECANEN pin determines auto negotiation capability of PHY841F.												
11	PDN	<p><i>Power Down Enable</i></p> <p>1: Power Down 0: Normal Operation</p> <p>Ored result with PI_PWRDN pin. Setting this bit high or asserting the PI_PWRDN puts the PHY841F into power down mode. During the power down mode, TXP/TXN and all LED outputs are tri-stated and the MII/RMII interfaces are isolated.</p>	R/W	0h	1. Only Access through MDC/MDIO												
10	ISO	<p><i>Isolate PHY841F from Network</i></p> <p>1: Isolate PHY from MII/RMII 0: Normal Operation</p> <p>Setting this control bit isolates the part from the RMII/MII, with the exception of the serial management interface. When this bit is asserted, the PHY841F does not respond to TXD, TXEN and TXER inputs, and it presents a high impedance on its TXC, RXC, CRSDV, RXER, RXD, COL and CRS outputs.</p>	R/W	0h	<p>1. Only Access through MDC/MDIO</p> <p>2. Used to reset corresponding port.</p>												

Bit #	Name	Description	Type	Default	Interface
9	ANEN_RST	<i>Restart Auto Negotiation</i> 1: Restart Auto Negotiation Process 0: Normal Operation Setting this bit while auto negotiation is enabled forces a new auto negotiation process to start. This bit is self-clearing and returns to 0 after the auto negotiation process has commenced.	R/W SC	0h	
8	DPLX	<i>Duplex Mode</i> 1: Full Duplex mode 0: Half Duplex mode If auto negotiation is disabled, this bit determines the duplex mode for the link.	R/W	1h	This bit Ored with RECFUL pin determines the duplex capability of PHY841F when ANEN disabled.
7	COLTST	<i>Collision Test</i> 1: Enable COL signal test 0: Disable COL signal test When set, this bit will cause the COL signal of MII interface to be asserted in response to the assertion of TXEN.	R/W	0h	
6	SPEED_MSB	<i>Speed Selection MSB</i> Set to 0 all the time indicate that the PHY841F does not support 1000 Mbps function.	RO	0h	Always 0.
5:0	Reserved	Not Applicable	RO	00h	Always 0.

4.3.2 Status (Register 1h)

Bit #	Name	Description	Type	Default	Interface
15	CAP_T4	<i>100Base-T4 Capable</i> Set to 0 all the time to indicate that the PHY841F does not support 100Base-T4	RO	0h	
14	CAP_TXF	<i>100Base-X Full Duplex Capable</i> Set to 1 all the time to indicate that the PHY841F does support Full Duplex mode	RO	1h	
13	CAP_TXH	<i>100Base-X Half Duplex Capable</i> Set to 1 all the time to indicate that the PHY841F does support Half Duplex mode	RO	1h	
12	CAP_TF	<i>10M Full Duplex Capable</i> TP : Set to 1 all the time to indicate that the PHY841F does support 10M Full Duplex mode FX : Set to 0 all the time to indicate that	RO	1h	

Bit #	Name	Description	Type	Default	Interface
		the PHY841F does not support 10M Full Duplex mode			
11	CAP_TH	<i>10M Half Duplex Capable</i> TP : Set to 1 all the time to indicate that the PHY841F does support 10M Half Duplex mode FX : Set to 0 all the time to indicate that the PHY841F does not support 10M Half Duplex mode	RO	1h	
10	CAP_T2	<i>100Base-T2 Capable</i> Set to 0 all the time to indicate that the PHY841F does not support 100Base-T2	RO	0h	
9:7	Reserved	Not Applicable	RO	0h	
6	CAP_SUPR	<i>MF Preamble Suppression Capable</i> This bit is hardwired to 1 indicating that the PHY841F accepts management frame without preamble. Minimum 32 preamble bits are required following power-on or hardware reset. One idle bit is required between any two management transactions as per IEEE 802.3u specification.	RO	1h	Use to Control MDC/MDIO State Machine.
5	AN_COMP	<i>Auto Negotiation Complete</i> 1: Auto Negotiation process completed 0: Auto Negotiation process not completed If auto negotiation is enabled, this bit indicates whether the auto negotiation process has been completed or not. Set to 0 all the time when Fiber Mode is selected.	RO	0h	Status Updated by Auto Negotiation Control Block.
4	Reserved	Not Applicable	RO	0h	
3	CAP_ANE G	<i>Auto Negotiation Ability</i> 1: Capable of auto negotiation 0: Not capable of auto negotiation TP : This bit is set to 1 all the time, indicating that PHY841F is capable of auto negotiation. FX : This bit is set to 0 all the time, indicating that PHY841F is not capable of auto negotiation in Fiber Mode.	RO	1h	
2	LINK	<i>Link Status</i> 1: Link is up 0: Link is down This bit reflects the current state of the link-test-fail state machine. Loss of a valid link causes a 0 latched into this bit. It	RO, LL	0h	Updated By Per port Link Monitor

Bit #	Name	Description	Type	Default	Interface
		remains 0 until this register is read by the serial management interface. Whenever Linkup, this bit should be read twice to get link up status			
1	JAB	<i>Jabber Detect</i> 1: Jabber condition detected 0: Jabber condition not detected	RO, LH	0h	Updated by Per port Jabber Detector
0	EXTREG	<i>Extended Capability</i> 1: Extended register set 0: No extended register set This bit defaults to 1, indicating that the PHY841F implements extended registers.	RO	1h	

4.3.3 PHY Identifier Register (Register 2h)

Bit #	Name	Description	Type	Default	Interface
15:0	PHY-ID[15:0]	IEEE Address	RO	002E	Rg2_PHY_ID Input

4.3.4 PHY Identifier Register (Register 3h)

Bit #	Name	Description	Type	Default	Interface
15:10	PHY-ID[15:0]	IEEE Address/Model No./Rev. No.	RO	CC10	RG3_PHY_ID Input
9:4	MODEL[5:0]	INFINEON-ADMTEK CO LTD PHY Revision ID.	RO	CC10	RG3_MODEL_ID Input
3:0	REV-ID[3:0]	INFINEON-ADMTEK CO LTD PHY Revision ID.	RO	4□h0	Rev_id input

4.3.5 Advertisement (Register 4h)

Bit #	Name	Description	Type	Default	Interface
15	NP	<i>Next Page</i> This bit is defaults to 1, indicating that PHY841F is next page capable.	R/W	0h	
14	Reserved	Not Applicable	RO	0h	
13	RF	<i>Remote Fault</i> 1 □ Remote Fault has been detected 0 □ No remote fault has been detected This bit is written by serial management interface for the purpose of communicating the remote fault condition to the auto negotiation link	R/W	0h	S/W should read status from Register 1 (bit 1.4) and fill out this bit during Auto Negotiation in case Remote

Bit #	Name	Description	Type	Default	Interface
		partner.			Fault is detected.
12	Reserved	Not Applicable	RO	0h	
11	ASM_DIR	<i>Asymmetric Pause Direction</i> Bit[11:10] Capability 00 No Pause 01 Symmetric PAUSE 10 Asymmetric PAUSE toward Link Partner 11 Both Symmetric PAUSE and Asymmetric PAUSE toward local device	R/W	0h	
10	PAUSE	<i>Pause Operation for Full Duplex</i> Value on PAUREC will be stored in this bit during power on reset.	R/W	pin	PI_PAUREC
9	T4	<i>Technology Ability for 100Base-T4</i> Defaults to 0.	RO	0h	
8	TX_FDX	100Base-TX Full Duplex 1: Capable of 100M Full duplex operation 0: Not capable of 100M Full duplex operation	R/W	1h	Used by Auto Negotiation Block
7	TX_HDX	100Base-TX Half Duplex 1: Capable of 100M operation 0: Not capable of 100M operation	R/W	1h	Used By Auto Negotiation Block
6	10_FDX	10BASE-T Full Duplex 1: Capable of 10M Full Duplex operation 0: Not capable of 10M full duplex operation	R/W	1h	Used By Auto Negotiation Block
5	10_HDX	10Base-T Half Duplex 1: Capable of 10M operation 0: Not capable of 10M operation	R/W	1h	Used By Auto Negotiation Block <i>Note:</i> that bit 8:5 should be combined with REC100, RECFUL pin input to determine the finalized speed and duplex mode.
4:0	Selector Field	These 5 bits are hardwired to 00001b, indicating that the PHY841F supports	RO	01h	Used by Auto Negotiation

Bit #	Name	Description	Type	Default	Interface
		IEEE 802.3 CSMA/CD.			Block.

4.3.6 Auto Negotiation Link Partner Ability (Register 5h)

Bit #	Name	Description	Type	Default	Interface
15	NPAGE	<i>Next Page</i> 1: Capable of next page function 0: Not capable of next page function	RO	0h	Updated by Auto Negotiation Block
14	ACK	<i>Acknowledge</i> 1: Link Partner acknowledges reception of the ability data word 0: Not acknowledged	RO	0h	Updated by Auto Negotiation Block
13	RF	<i>Remote Fault</i> 1: Remote Fault has been detected 0: No remote fault has been detected	RO	0h	Updated by Auto Negotiation Block
12	Reserved	Not Applicable	RO	0h	
11	LP_DIR	<i>Link Partner Asymmetric Pause Direction.</i>	RO	0h	Updated by Auto Negotiation Block
10	LP_PAU	<i>Link Partner Pause Capability</i> Value on PAUREC will be stored in this bit during power on reset.	RO	0h	Updated by Auto Negotiation Block
9	LP_T4	<i>Link Partner Technology Ability for 100Base-T4</i> Defaults to 0.	RO	0h	Updated by Auto Negotiation Block
8	LP_FDX	<i>100Base-TX Full Duplex</i> 1: Capable of 100M Full duplex operation 0: Not capable of 100M Full duplex operation	RO	1h	Used by Auto Negotiation Block
7	LP_HDX	<i>100Base-TX Half Duplex</i> 1: Capable of 100M operation 0: Not capable of 100M operation	RO	1h	Used By Auto Negotiation Block
6	LP_F10	<i>10BASE-T Full Duplex</i> 1: Capable of 10M Full Duplex operation 0: Not capable of 10M full duplex operation	RO	1h	Used By Auto Negotiation Block
5	LP_H10	<i>10Base-T Half Duplex</i> 1: Capable of 10M operation 0: Not capable of 10M operation	RO	1h	Used By Auto Negotiation Block
4:0	Selector Field	<i>Encoding Definitions.</i>	RO	01h	Updated By Auto Negotiation Block.

4.3.7 Auto Negotiation Expansion Register (Register 6h)

Bit #	Name	Description	Type	Default	Interface
15:5	Reserved	Not Applicable	RO	000h	000h
4	PFAULT	<i>Parallel Detection Fault</i> 1: Fault has been detected 0: No Fault Detect	RO, LH	0h	Updated by Auto Negotiation Block
3	LPNPABLE	Link Partner Next Page Able 1: Link Partner is next page capable 0: Link Partner is not next page capable	RO	0h	Updated By Auto Negotiation Block
2	NPABLE	<i>Next Page Able</i> 0: Next page Disable 1: Next page Enable.	RO	1h	
1	PGRCV	<i>Page Received</i> 1: A new page has been received 0: No new page has been received	RO, LH	0h	Updated By Auto Negotiation Block
0	LPANABLE	<i>Link Partner Auto Negotiation Able</i> 1: Link Partner is auto negotiable 0: Link Partner is not auto negotiable	RO	0h	Updated By Auto Negotiation Block

4.3.8 Register Reserved (Register 7h-Fh)

Bit #	Name	Description	Type	Default	Interface
15:0	Reserved	Not Applicable			

4.3.9 Generic PHY Configuration Register (Register 10h)

Note: PHY Control/Configuration Registers start from address 16 to 21.

Bit #	Name	Description	Type	Default	Interface
15:5	Reserved	Not Applicable	RO	1h	
14	XOVEN	<i>Cross Over Auto Detect Enable.</i> 0: Disable 1: Enable	R/W	pin	PI_XOVEN
3:1	Reserved	Not Applicable	RO	0h	
0	DISPMG	<i>Disable Power Management Feature.</i> 0: Enable. Enable Medium Detect Function. 1: Disable. Medium_On is high all the time.	R/W	0h	REC_DISPMG

4.3.10 PHY 10M Module Configuration Register (Register 11h)

Bit #	Name	Description	Type	Default	Interface
15:6	Reserved	Not Applicable	RO	0h	
5	DRV62MA	<i>Reduce 10M Driver to 62mA.</i> 1: 62mA 0: Normal	R/W	0h	Will be On when DISPMG is set to low during power on reset.
4	APDIS	<i>Auto Polarity Disable</i> 1: Auto Polarity Function Disabled 0: Normal	R/W	0h	REC_APOLDIS TP Module Polarity pin.
3	ENRJAB	<i>Enable Receive Jabber Monitor.</i> 0: Disable 1: Enable	R/W	1h	REC_ENRJAB Control two blocks : 1.Receive Jabber (CRS keeps high all the time) 2.CRS Low less than 2 □ 3 us
2	DISTJAB	<i>Disable Transmit Jabber</i> 1: Disable Transmit Jabber Function 0: Enable Transmit Jabber Function	R/W	0h	REC_DISTJAB
1	NTH	<i>Normal Threshold</i> 0: Lower 10BASE-T Receive threshold 1: Normal 10BASE-T Receive threshold	R/W	0h	REC_NTH
0	FGDLNK	<i>Force 10M Receive Good Link</i> 1: Force Good Link 0: Normal Operation	R/W	0h	REC_FGDLINK

4.3.11 PHY 100M Module Control Register (Register 12h)

Bit #	Name	Description	Type	Default	Interface
15:8	Reserved	Not Applicable	RO	0h	
7	SELFX	<i>Fiber Select</i> 1: Fiber Mode 0: TP Mode	R/W	pin	~PI_SELTP
6:5	Reserved	Not Applicable	R/W	1h	
4	DISSCR	<i>Disable Scrambler</i> 1: Disable Scrambler 0: Enable Scrambler When set to fiber mode, this bit will be	R/W	pin	When programmed to fiber mode, set to 1 automatically

Bit #	Name	Description	Type	Default	Interface
		forced to 1 automatically. Write 0 to this bit in Fiber Mode has no effect.			
3	ENFEFI	<i>Enable FEFI</i> 1: Enable FEFI 0: Disable FEFI	R/W	pin	\sim DISFEFI OR \square ed result of ENFEFI and FTPREN
2	Reserved	Not Applicable	RO	0h	
1	Reserved	Not Applicable	R/W	1h	
0	Reserved	Not Applicable	R/W	0h	

4.3.12 LED Configuration Register (Register 13h)

Bit #	Name	Description	Type	Default	Interface
15:14	Reserved	Not Applicable	RO	0h	
13:12	Reserved	Not Applicable	RO	00	
11:8	LNKCTRL	<i>Link/Act LED Control.</i> 0000: Collision 0001: All Errors 0010: Duplex 0011: Duplex/Collision 0100: Speed 0101: Link 0110: Transmit Activity 0111: Receive Activity 1000: TX/RX Activity 1001: Link/Receive Activity 1010: Link and TX/RX Activity 1011: 100M False Carrier Error/10M Receive Jabber 1100: 100M Error End of Stream/10M Transmit Jabber 1101: 100M Symbol Error 1110: Distance (See LED Description for more detail) 1111: Cable Broken Distance	RO	1010	REC_LNKLED_ CTRL
7:4	DUPCTRL	<i>Duplex LED Control.</i> 0000: Collision 0001: All Errors 0010: Duplex 0011: Duplex/Collision 0100: Speed 0101: Link 0110: Transmit Activity 0111: Receive Activity	RO	0011	REC_DUPLED_ CTRL

Bit #	Name	Description	Type	Default	Interface
		1000: TX/RX Activity 1001: Link/Receive Activity 1010: Link and TX/RX Activity 1011: 100M False Carrier Error/10M Receive Jabber 1100: 100M Error End of Stream/10M Transmit Jabber 1101: 100M Symbol Error 1110: Distance (See LED Description for more detail) 1111: Cable Broken Distance			
3:0	SPDCTRL	<i>Speed LED Control.</i> 0000: Collision 0001: All Errors 0010: Duplex 0011: Duplex/Collision 0100: Speed 0101: Link 0110: Transmit Activity 0111: Receive Activity 1000: TX/RX Activity 1001: Link/Receive Activity 1010: Link and TX/RX Activity 1011: 100M False Carrier Error/10M Receive Jabber 1100: 100M Error End of Stream/10M Transmit Jabber 1101: 100M Symbol Error 1110: Distance (See LED Description for more detail) 1111: Cable Broken Distance	RO	0100	REC_SPDLED_CTRL

4.3.13 Interrupt Enable Register (Register 14h)

Bit #	Name	Description	Type	Default	Interface
15:10	Reserved	Not Applicable	RO	00h	
9	XOVCHG	<i>Cross Over mode Changed Interrupt Enable</i> 1: Interrupt Enable 0: Interrupt Disable	R/W	1h	
8	SPDCHG	<i>Speed Changed Interrupt Enable</i> 1: Interrupt Enable 0: Interrupt Disable	R/W	1h	
7	DUPCHG	<i>Duplex Changed Interrupt Enable</i>	R/W	1h	

Bit #	Name	Description	Type	Default	Interface
		1: Interrupt Enable 0: Interrupt Disable			
6	PGRCHG	<i>Page Received Interrupt Enable</i> 1: Interrupt Enable 0: Interrupt Disable	R/W	1h	
5	LNKCHG	<i>Link Status Changed Interrupt Enable</i> 1: Interrupt Enable 0: Interrupt Disable	R/W	1h	
4	SYMERR	<i>Symbol Error Interrupt Enable</i> 1: Interrupt Enable 0: Interrupt Disable	R/W	1h	
3	FCAR	<i>False Carrier Interrupt Enable</i> 1: Interrupt Enable 0: Interrupt Disable	R/W	1h	
2	TJABINT	<i>Transmit Jabber Interrupt Enable</i> 1: Interrupt Enable 0: Interrupt Disable	R/W	1h	
1	RJABINT	<i>Receive Jabber Interrupt Enable</i> 1: Interrupt Enable 0: Interrupt Disable	R/W	1h	
0	ESDERR	<i>Error End of Stream Enable</i> 1: Interrupt Enable 0: Interrupt Disable	R/W	1h	

4.3.14 PHY Generic Status Register (Register 16h)

Note: PHY Status Registers start from 22 to 28 (29 to 30 reserves for further use)

Bit #	Name	Description	Type	Default	Interface
15:14	Reserved	Not Applicable	RO	00h	
13	CBBRK	4.3.4 PHY Identifier Register (Register 3h) 0: Connection properly 1: Broken	RO	0h	
12:11	Reserved	Not Applicable	RO	0h	
10	MD	<i>Medium Detect. Real Time Status for Medium_Detect Signal</i> 0: Medium_Detect Fail 1: Medium_Detect Pass	RO	0h	
9	FXEN	<i>Fiber Enable. Only Changed when PHY Reset</i> 0: TX 1: FX mode OR'ed result of PI_SELFx and 17.9	RO	pin	PI_SELFx

Bit #	Name	Description	Type	Default	Interface
		(SELFX)			
8	XOVER	<i>Cross Over status.</i> 0: MDI mode 1: MDIX mode	RO	0h	
7:0	Reserved	Not Applicable	RO	00h	

4.3.15 PHY Specific Status Register (Register 17h)

Bit #	Name	Description	Type	Default	Interface
15:12	Reserved	Not Applicable	RO	0h	Force to 0 all the time.
11	JAB-RX	<i>Real Time 10M Receive Jabber Status</i> 1: Jabber 0: No jabber	RO	0h	
10	JAB_TX	<i>Real Time 10M Transmit Jabber Status</i> 1:Jabber 0: No Jabber	RO	0h	Updated by 10M Block
9	POLAR	<i>Polarity.</i> Only available in 10M 0: Normal Polarity 1: Polarity Reversed	RO	0h	
8	PAUOUT	<i>Pause Out capability.</i> Disabled when Half Duplex. 0: Lack of Pause Out capability 1: Has Pause Out capability	RO	0h	
7	PAUIN	<i>Pause In capability.</i> Disabled when Half Duplex. 0: Lack of Pause In capability 1: Has Pause In capability	RO	0h	
6	DUPLEX	<i>Operating Duplex</i> 1: Full Duplex 0: Half Duplex	RO	1h	
5	SPEED	<i>Operating Speed</i> 1: 100Mb/s 0: 10Mb/s	RO	1h	
4	LINK	<i>Real Time Link Status</i> 1: Link Up 0: Link Down	RO	0h	
3	RECPAU	<i>Pause Recommend Value.</i> Only Changed when PHY Reset. This bit is disabled	RO	pin	PI_PAUREC

Bit #	Name	Description	Type	Default	Interface
		automatically when RECDUP is 0. 0: Pause Disable 1: Pause Enable			
2	RECDUP	<i>Duplex Recommended Value.</i> Only Changed when PHY Reset 1: Full Duplex 0: Half Duplex	RO	pin	PI_DUPFUL
1	RECSPD	<i>Speed Recommend Value.</i> Only Changed when PHY Reset 1: 100M 0: 10M	RO	pin	PI_REC100
0	RECANEN	<i>Recommended Auto Negotiation Value.</i> Only Changed when PHY Reset	RO	pin	PI_RECANEN

4.3.16 PHY Recommend Value Status Register (Register 18h)

Bit #	Name	Description	Type	Default	Interface
15	PWEDN	<i>Power Down Status</i>	RO	pin	
14	RECAN	<i>Auto Negotiation Recommend Value</i>	RO	pin	
13	SELFX	<i>Fiber Select Recommend Value</i>	RO	pin	
12	REC100	<i>Speed Recommend Value</i> 0: 10M 1: 100M	RO	pin	
11	RECFUL	<i>Duplex Recommend Value.</i> 0: Half Duplex 1: Full Duplex	RO	pin	
10	PAUREC	<i>Pause Capability Recommend Value</i> 1: Pause Enable 0: Pause Disable	RO	pin	
9	Reserved	Not Applicable	RO	Pin	
8	XOVEN	<i>Cross Over Capability Recommend Value.</i> 0: Disable 1: Enable	RO	Pin	
7	XOVER	<i>Cross Over Status.</i> 0: Non-Cross Over 1: Cross Over	RO	0h	
6	RMII_SMII	<i>RMII_SMII Interface</i> 1: RMII or SMII Interface used 0: Non RMII SMII Interface	RO	Pin	
5	Reserved	Not Applicable	RO	Pin	

Bit #	Name	Description	Type	Default	Interface
4:0	PHYA	<i>PHY Address</i>	RO	0h	

4.3.17 Interrupt Status Register (Register 19h)

Bit #	Name	Description	Type	Default	Interface
15:10	Reserved	Not Applicable	COR	00h	
9	XOVCHG	<i>Cross Over mode Changed</i> 1: Cross Over mode Changed 0: Cross Over mode Not Changed	COR	0h	Updated By PMD Block
28	SPDCHG	<i>Speed Changed</i> 1: Speed Changed 0: Speed Not Changed	COR	0h	Updated By Auto Negotiation Block
7	DUPCHG	<i>Duplex Changed</i> 1: Duplex Changed 0: Duplex not changed	COR	0h	Updated By Auto Negotiation Block
6	PGRCHG	<i>Page Received</i> 1: Page Received 0: Page not received	COR	0h	Updated By Auto Negotiation Block
5	LNKCHG	<i>Link Status Changed</i> 1: Link Status Changed 0: Link Status not Changed	COR	0h	Updated By Auto Negotiation Block
4	SYMERR	<i>Symbol Error</i> 1: Symbol Error 0: No symbol Error	COR	0h	Updated By 100M Block
3	FCAR	<i>False Carrier</i> 1: False Carrier 0: No false carrier Note: high whenever Link is Failed.	COR	0h	Updated By 100M Block
2	TJABINT	<i>Transmit Jabber</i> 1: Jabber 0: No Jabber	COR	0h	Updated By 10M Block
1	RJABINT	<i>Receive Jabber</i> 1: Jabber 0: No Jabber	COR	0h	Updated By 10M Block
0	ESDERR	<i>Error End of Stream</i> 1: ESD Error 0: No ESD Error	COR	0h	Updated By 100M Block

4.3.18 Receive Error Counter Register (Register 1Dh)

Bit #	Name	Description	Type	Default	Interface
15:0	ERB[15:0]	<i>Error Counter. Includes</i> 1. 100M False Carrier 2. 100M Symbol Error 3. 10M Transmit Jabber	RO	0000h	

Bit #	Name	Description	Type	Default	Interface
		4.10M Receive Jabber 5.Error Start of Stream 6.Error End of Stream			

4.3.19 Chip ID Register (Register 1Fh)

Bit(s)	Name	Description	R/W	Default	Interface
15:0	CHIPID[15:0]	Infineon-ADMtek Co Ltd CHIP ID	RO	8818	

4.3.20 Per port Interrupt and Revision ID Register (Register 1Eh)

Bit #	Name	Description	Type	Default	Interface
15:8	INTP[7:0]	Per Port Interrupt Status. Only available in Port 0. 1 - Interrupt asserted in corresponding port 0 - Interrupt not asserted in corresponding port	RO	8'h00	
7:0	Reserved	Not Applicable	RO	8'h00	

Chapter 5 Electrical Specification

5.1 DC Characterization

5.1.1 Absolute Maximum Rating

Symbol	Parameter	Rating	Units
V _{CC33}	3.3V Power Supply	3.0 to 3.6	V
V _{CC18}	1.8V Power Supply	1.62 to 1.98	V
V _{IN}	Input Voltage	-0.3 to V _{CC33} + 0.3	V
V _{out}	Output Voltage	-0.3 to V _{CC33} + 0.3	V
TSTG	Storage Temperature	-55 to 155	°C
PD	Power Dissipation	1.85	W
ESD	ESD Rating	2000	V

Table 5-1 Electrical Absolute Maximum Rating

5.1.2 Recommended Operating Conditions

Symbol	Parameter	Min	Typ	Max	Units
V _{CC33}	Power Supply	3.135	3.3	3.465	V
V _{in}	Input Voltage	0	-	V _{CC}	V
T _j	Junction Operating Temperature	0	25	115	°C

Table 5-2 Recommended Operating Conditions

5.1.3 DC Electrical Characteristics for 3.3V Operation

(Under V_{CC}=3.0V~3.6V, T_j= 0 °C ~ 115 °C)

Symbol	Parameter	Conditions	Min	Typ	Max	Units
V _{IL}	Input Low Voltage	CMOS			0.3 * V _{CC}	V
V _{IH}	Input High Voltage	CMOS	0.7 * V _{CC}			V
V _{OL}	Output Low Voltage	CMOS			0.4	V
V _{OH}	Output High Voltage	CMOS	2.3			V
RI	Input Pull_up/down Resistance	V _{IL} =0V or V _{IH} = V _{CC}		75		KΩ

Table 5-3 DC Electrical Characteristics for 3.3V Operation

5.2 AC Characterization

5.2.1 XI/OSCI (Crystal/Oscillator) Timing

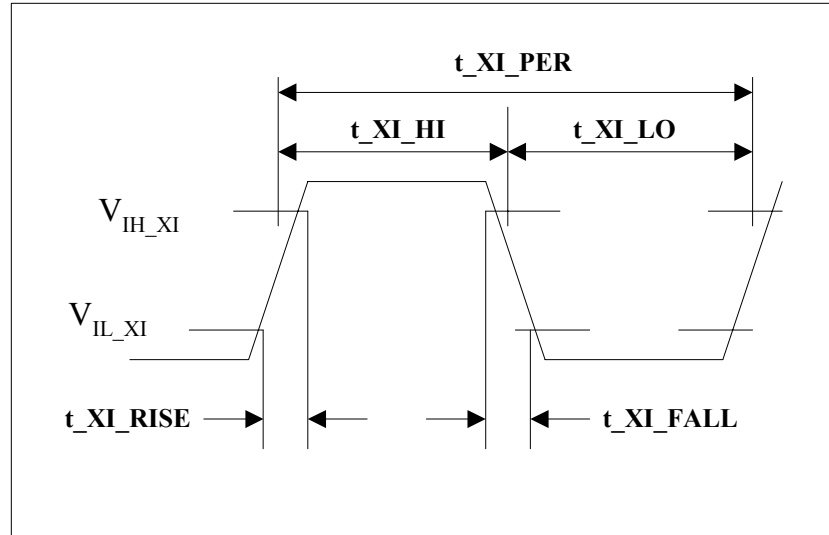


Figure 5-1 Crystal/Oscillator Timing

Symbol	Description	MIN	TYP	MAX	UNIT
t_{XI_PER}	XI/OSCI Clock Period	40.0 - 50ppm	40.0	40.0 + 50ppm	ns
T_{XI_HI}	XI/OSCI Clock High	14	20.0		ns
T_{XI_LO}	XI/OSCI Clock Low	14	20.0		ns
T_{XI_RISE}	XI/OSCI Clock Rise Time , V_{IL} (max) to V_{IH} (min)			4	ns
T_{XI_FALL}	XI/OSCI Clock Fall Time , V_{IH} (min) to V_{IL} (max)			4	ns

Table 5-4 Crystal/Oscillator Timing

5.3 RMI Timing

5.3.1 REFCLK Input Timing (When REFCLK_SEL is set to 1)

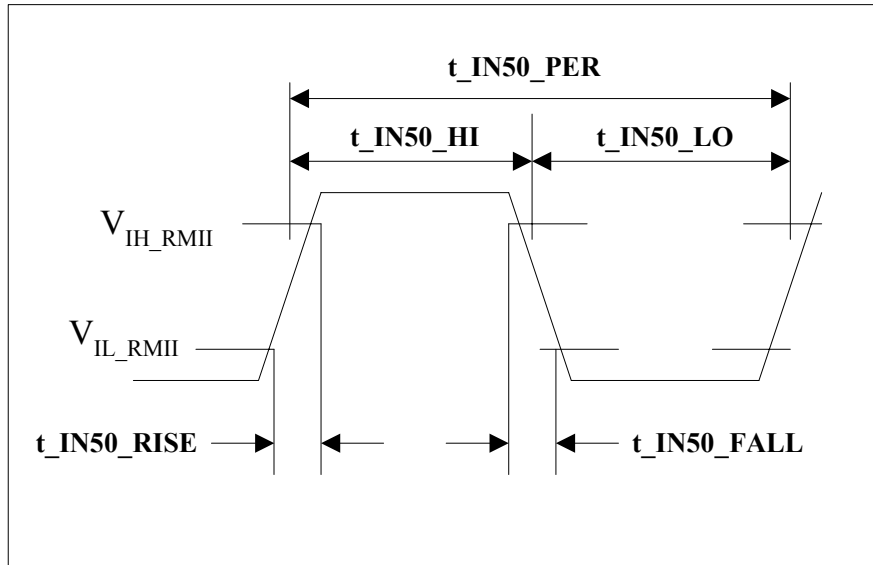


Figure 5-2 REFCLK Input Timing

Symbol	Description	MIN	TYP	MAX	UNIT
t_{IN50_PER}	REFCLK Clock Period	40.0 - 50ppm	40.0	40.0 + 50ppm	ns
t_{IN50_HI}	REFCLK Clock High	14	20.0		ns
t_{IN50_LO}	REFCLK Clock Low	14	20.0		ns
t_{IN50_RISE}	REFCLK Clock Rise Time , V_{IL} (max) to V_{IH} (min)			2	ns
t_{IN50_FALL}	REFCLK Clock Fall Time , V_{IH} (min) to V_{IL} (max)			2	ns

Table 5-5 REFCLK Input Timing

5.3.2 REFCLK Output Timing (When REFCLK_SEL is set to 0)

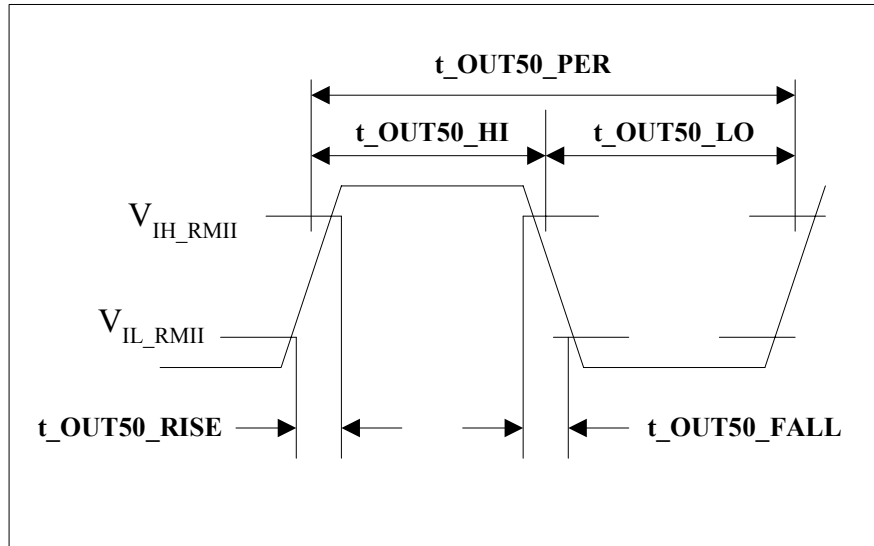


Figure 5-3 REFCLK Output Timing

Symbol	Description	MIN	TYP	MAX	UNIT
t_{OUT50_PER}	REFCLK Clock Period	40.0 - 50ppm	40.0	40.0 + 50ppm	ns
t_{OUT50_HI}	REFCLK Clock High	14	20.0	26	ns
t_{OUT50_LO}	REFCLK Clock Low	14	20.0	26	ns
t_{OUT50_RISE}	REFCLK Clock Rise Time, V_{IL} (max) to V_{IH} (min)			2	ns
t_{OUT50_FALL}	REFCLK Clock Fall Time, V_{IH} (min) to V_{IL} (max)			2	ns
t_{OUT50_JIT}	REFCLK Clock Jittering (p-p)		0.15		ns

Table 5-6 REFCLK Output Timing

5.3.3 RMIIT Transmit Timing

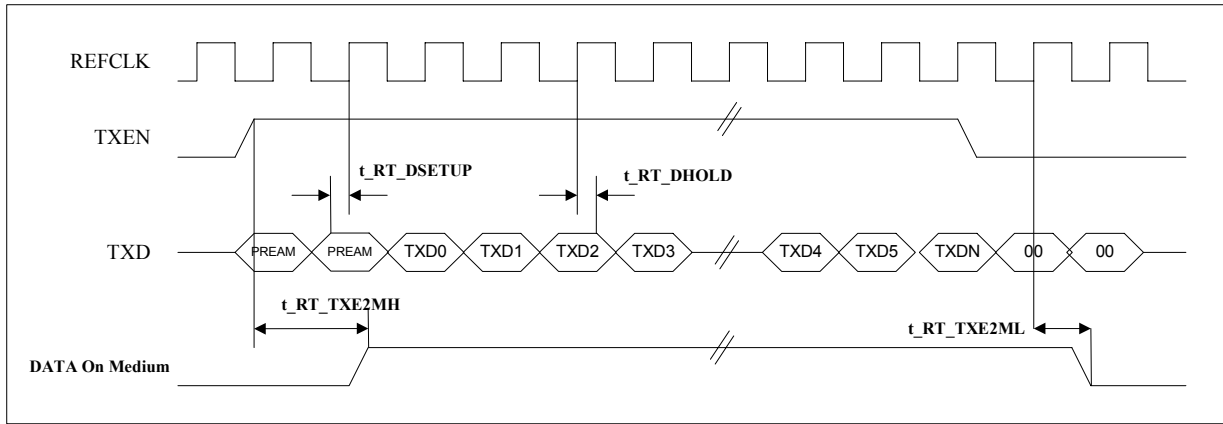


Figure 5-4 RMIIT Transmit Timing

Symbol	Description	MIN	TYP	MAX	UNIT
t_{RT_DSETUP}	TXD to REFCLK Rising Setup Time	2			ns
t_{RT_DHOLD}	TXD to REFCLK Rising Hold Time	2			ns
$t_{RT_TXE2MH}_1$	TXEN asserts to data transmit to medium			235	ns
$t_{RT_TXE2MH}_0$	TXEN asserts to data transmit to medium			1550	ns
$t_{RT_TXE2ML}_{10}$	TXEN de-asserts to finish transmitting			260	ns
$t_{RT_TXE2ML}_{10}$	TXEN de-asserts to finish transmitting			1250	ns

Table 5-7 RMIIT Transmit Timing

5.3.4 RMII Receive Timing

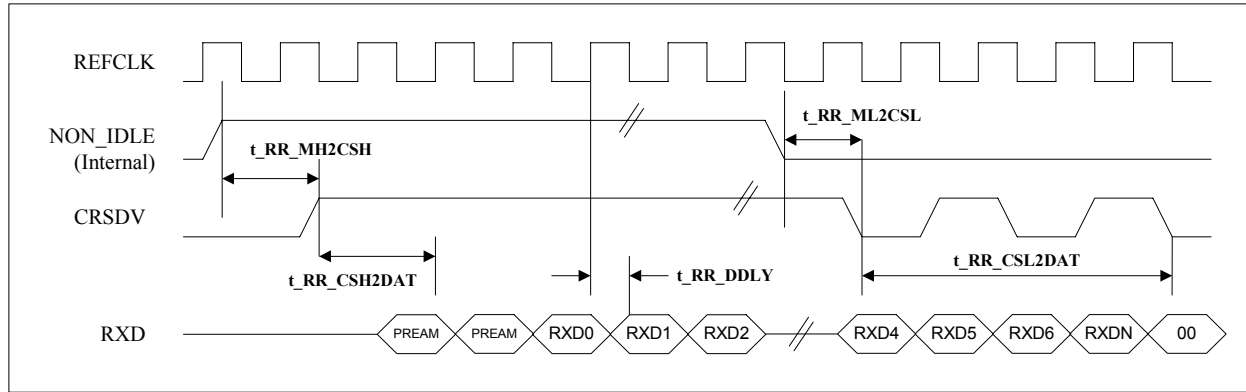


Figure 5-5 RMII Receive Timing

Symbol	Description	MIN	TYP	MAX	UNIT
$t_{RR_MH2CSH_{100}}$	Signal Detected on Medium to CRSDV High			265	ns
$t_{RR_MH2CSH_{10}}$	Signal Detected on Medium to CRSDV High			1000	ns
$t_{RR_ML2CSL_{100}}$	IDLE Detected on Medium to CRSDV low			260	ns
$t_{RR_ML2CSL_{10}}$	IDLE Detected on Medium to CRSDV low			570	ns
$t_{RR_CSH2DAT_{100}}$	CRSDV High to Receive Data on RXD			160	ns
$t_{RR_CSH2DAT_{10}}$	CRSDV High to Receive Data on RXD			1600	ns
$t_{RR_CSL2DAT_{100}}$	CRSDV Toggle to End of Data Receiving		160		ns
$t_{RR_CSL2DAT_{10}}$	CRSDV Toggle to End of Data Receiving		1600		ns
$t_{RR_DDL_Y}$	REFCLK Rising to RXD/CRSDV Delay Time			5	ns

Table 5-8 RMII Receive Timing

5.4 SMII Clock Timing

5.4.1 REFCLK Input Timing (When REFCLK_SEL is set to 1) -

Also apply to TX_CLK

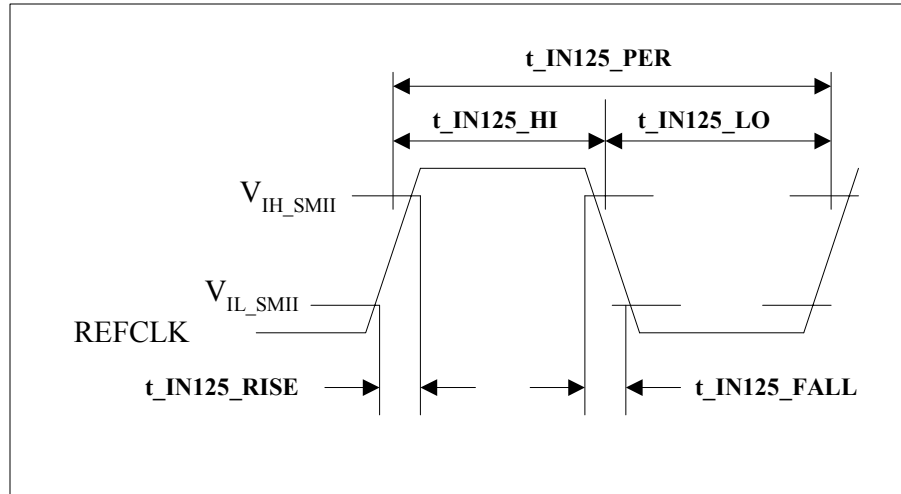


Figure 5-6 REFCLK Input Timing

Symbol	Description	MIN	TYP	MAX	UNIT
t_{IN125_PER}	REFCLK/TXCLK Clock Period	8.0 - 50ppm	8.0	8.0 + 50ppm	ns
t_{IN125_HI}	REFCLK/TXCLK Clock High	2.8	4.0		ns
t_{IN125_LO}	REFCLK/TXCLK Clock Low	2.8	4.0		ns
t_{IN125_RISE}	REFCLK/TXCLK Clock Rise Time , V_{IL} (max) to V_{IH} (min)			2	ns
t_{IN125_FALL}	REFCLK/TXCLK Clock Fall Time , V_{IH} (min) to V_{IL} (max)			2	ns

Table 5-9 REFCLK Input Timing

5.4.2 REFCLK Output Timing (When REFCLK_SEL is set to 1)

Also apply to RXCLK in SS_SMI Mode

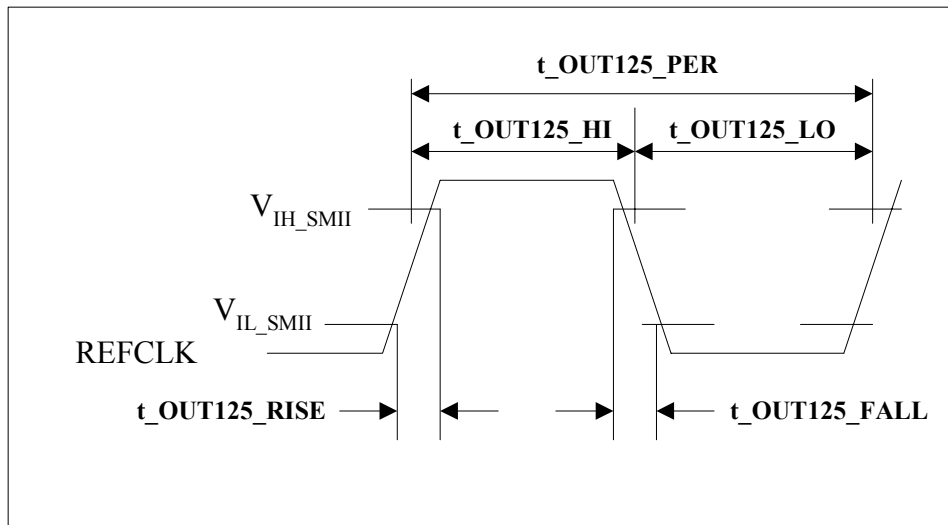


Figure 5-7 SMI/SS_SMI REFCLK Output Timing

Symbol	Description	MIN	TYP	MAX	UNIT
t_{OUT125_PER}	REFCLK Clock Period	8.0 - 50ppm	8.0	8.0 + 50ppm	ns
t_{OUT125_HI}	REFCLK Clock High	2.4	4.0		ns
t_{OUT125_LO}	REFCLK Clock Low	2.4	4.0	26	ns
t_{OUT125_RISE}	REFCLK Clock Rise Time , V_{IL} (max) to V_{IH} (min)			2	ns
t_{OUT125_FALL}	REFCLK Clock Fall Time , V_{IH} (min) to V_{IL} (max)			2	ns
t_{OUT125_JIT}	REFCLK Clock Jittering (p-p)		0.15		ns

Table 5-10 SMI/SS_SMI REFCLK Output Timing

5.4.3 SMII/SS_SMII Transmit Timing

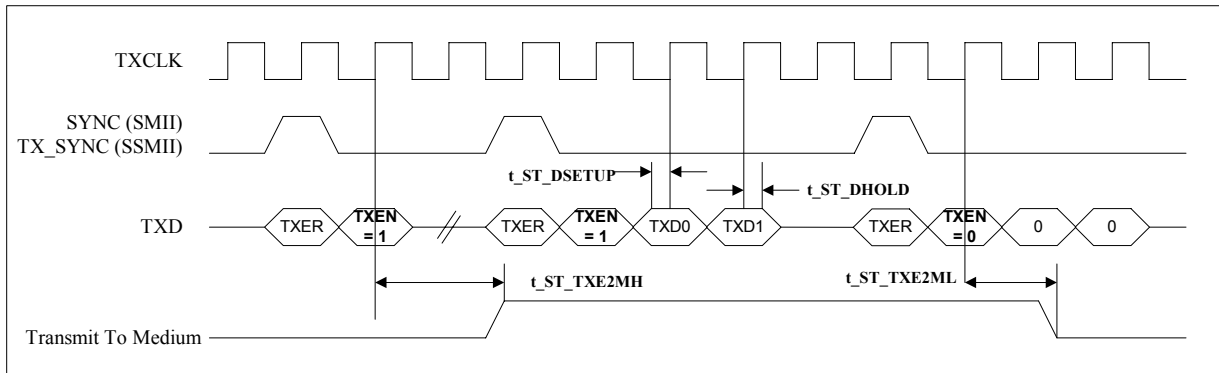


Figure 5-8 SMII/SS_SMII Transmit Timing

Symbol	Description	MIN	TYP	MAX	UNIT
t_ST_DSETUP	TXD to REFCLK Rising Setup Time	2			ns
t_ST_DHOLD	TXD to REFCLK Rising Hold Time	2			ns
t_ST_TXE2MH ₁₀ 0	TXEN asserts to data transmit to medium (100M)			390	ns
t_ST_TXE2MH ₁₀	TXEN asserts to data transmit to medium (10M)			2340	ns
t_ST_TXE2ML ₁₀ 0	TXEN de-asserts to finish transmitting (100M)			430	ns
t_ST_TXE2ML ₁₀	TXEN de-asserts to finish transmitting (10M)			3800	ns

Table 5-11 SMII/SS_SMII Transmit Timing

5.4.4 SMII/SS_SMII Receive Timing

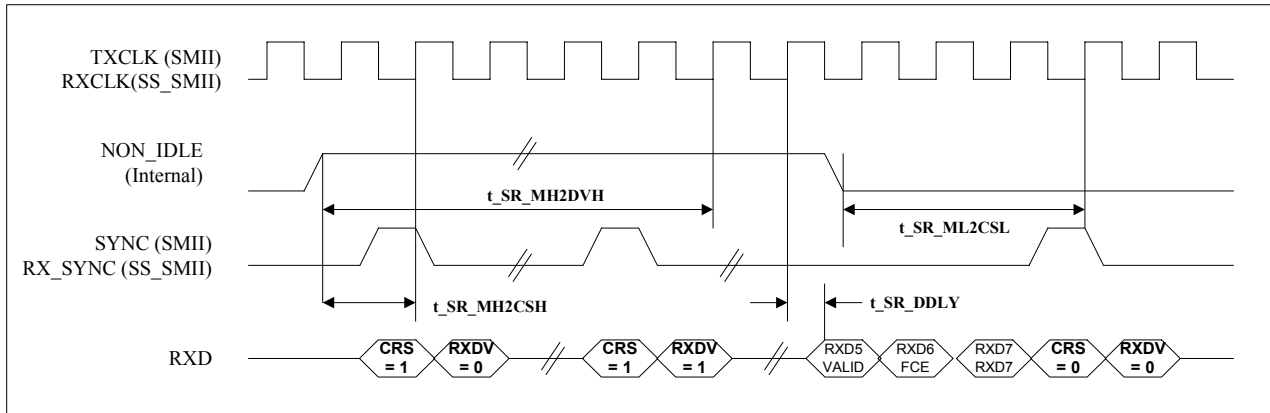


Figure 5-9 SMII/SS_SMII Receive Timing

Symbol	Description	MIN	TYP	MAX	UNIT
$t_{SR_MH2CSH_{10}}$	Signal Detected on Medium to CRS High (100M)			430	ns
$t_{SR_MH2CSH_{10}}$	Signal Detected on Medium to CRS High (10M)			680	ns
$t_{SR_ML2CSL_{10}}$	IDLE Detected on Medium to CRS low (100M)			420	ns
$t_{SR_ML2CSL_{10}}$	IDLE Detected on Medium to CRS low (10M)			240	ns
$t_{SR_MH2DVH_{100}}$	Signal Detected on Medium to Receive Data Valid (100M)			470	ns
$t_{SR_MH2DVH_{10}}$	Signal Detected on Medium to Receive Data Valid (10M)			3840	ns
$t_{SR_DDLY_{SMII}}$	TXCLK Rising to SYNC/RXD Delay Time (SMII)			5	ns
$t_{SR_DDLY_{SS_SMII}}$	RXCLK Rising to RX_SYNC/RXD Delay Time (SS_SMII)			5	ns

Table 5-12 SMII/SS_SMII Receive Timing

5.5 Serial Management Interface (MDC/MDIO) Timing

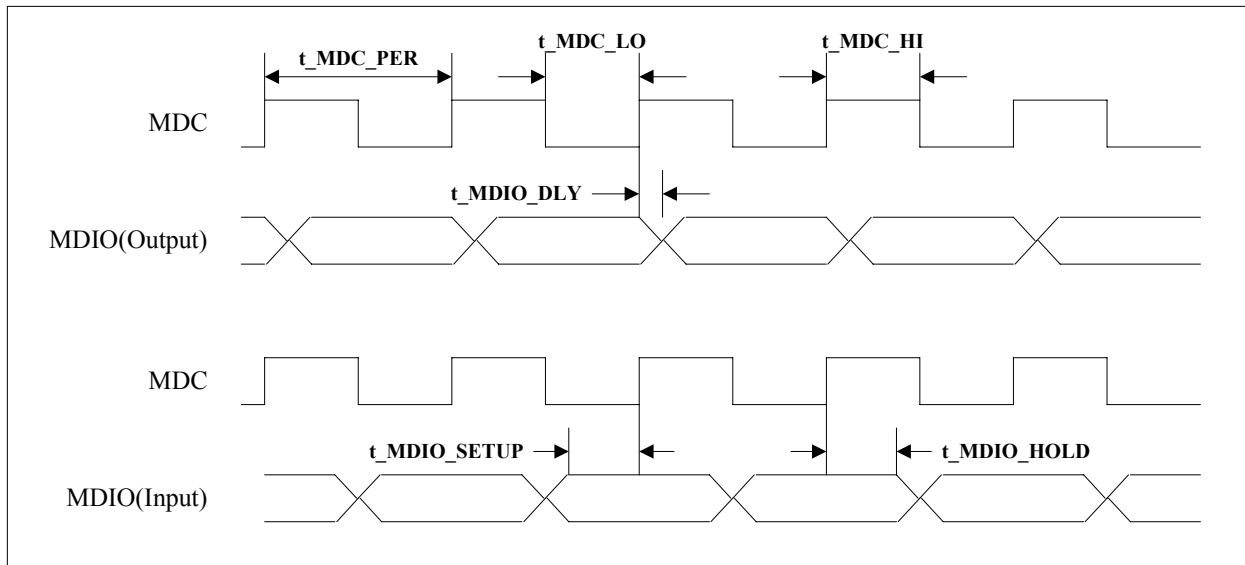


Figure 5-10 Serial Management Interface (MDC/MDIO) Timing

Symbol	Description	MIN	TYP	MAX	UNIT
t_{MDC_PER}	MDC Period	100			ns
t_{MDC_HI}	MDC High	40			ns
t_{MDC_LO}	MDC High	40			ns
t_{MDIO_DLY}	MDC to MDIO Delay Time			20	ns
t_{MDIO_SETUP}	MDIO Input to MDC Setup Time	10			ns
t_{MDIO_HOLD}	MDIO Input to MDC Hold Time	10			ns

Table 5-13 Serial Management Interface (MDC/MDIO) Timing

5.6 Power On Configuration Timing

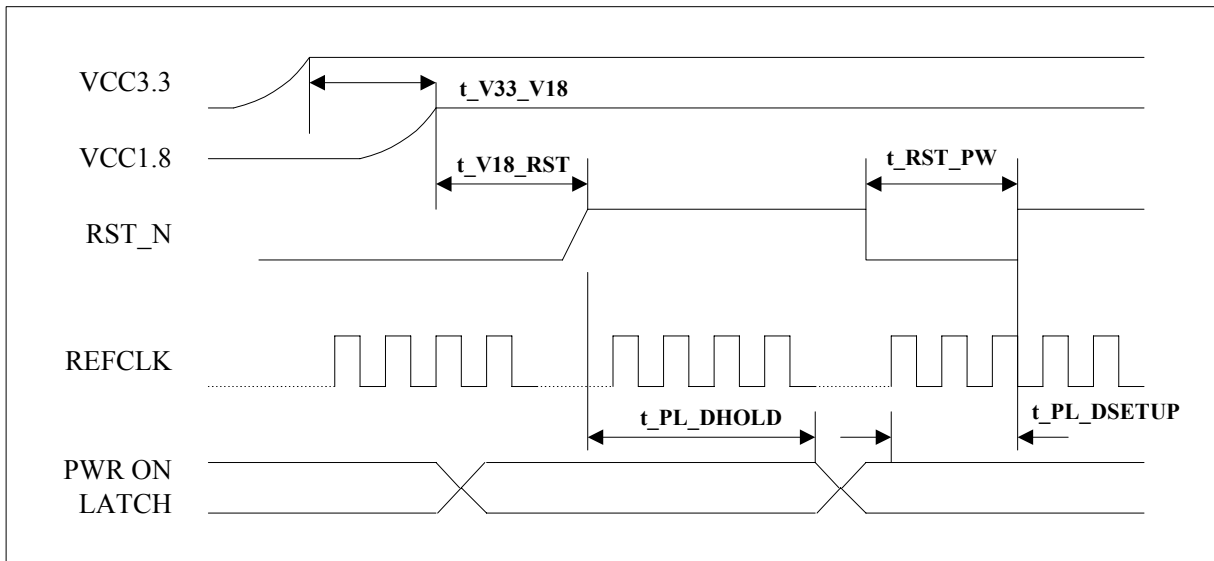


Figure 5-11 Power On Configuration Timing

Symbol	Description	MIN	TYP	MAX	UNIT
t_{V33_V18}	3.3V Power Good to 1.8V Power Good	TBD			ms
t_{V18_RST}	Hardware Reset With Device Powered up	200			ms
t_{RST_PW}	Hardware Reset With Clock Running	800			ns
t_{PL_DSETUP}	Reset High to Configuration Setup Time	200			ns
t_{PL_DHOLD}	Reset High to Configuration Hold Time	0			ns

Table 5-14 Power On Configuration Timing

Chapter 6 Packaging

