



# 3.3 V 4.25 Gb/s Limiting Amplifier

Preliminary Technical Data

**ADN2892**

## FEATURES

- SFP reference design available**
- Input sensitivity: 3 mV p-p**
- 65 ps rise/fall times**
- BW Select to support Multi-Rate 1x/2x/4x FC modules**
- Optional LOS Output Inversion to support SFF**
- CML outputs: 700 mV p-p differential**
- Programmable LOS detector: 3 mV to 45 mV**
- Rx signal strength indicator (RSSI):**
  - SFF-8472 compliant average power measurement**
- Single supply operation: 3.3 V**
- Low power dissipation: 160 mW**
- Available in space-saving 3 × 3 mm 16-lead LFCSP**
- Increased Temperature Range: -40°C to 95°C**

## APPLICATIONS

- SFP/SFF/GBIC optical transceivers**
- 1x/2x/4x Multi-rate Fibre Channel receivers**
- LX4**
- WDM transponders**

## PRODUCT OVERVIEW

The ADN2892 is a high gain, limiting amplifier optimized for use in Fibre Channel and GbE optical receivers. The ADN2892 accepts input levels of up to 2.0 V p-p differential and has 3 mV p-p differential input sensitivity. The ADN2892 provides the receiver functions of quantization and loss of signal (LOS) detection.

The ADN2892 has an on-chip selectable filter to reduce the BW of the limamp to 1.5GHz in order to filter out the relaxation oscillation of legacy 1Gb/s Fiber Channel transmitters with CD lasers. The reduced BW will also allow for more optical Rx sensitivity margin at the lower data rates such as 1xFC and 1GbE in multi-rate modules.

The limiting amplifier also measures average received power based on a direct measurement of the photodiode current with better than 1 dB of accuracy over the entire input range of the receiver. This eliminates the need for external average Rx power detection circuitry in SFF-8472 compliant optical transceivers.

The ADN2892 limiting amplifier operates from a single 3.3 V supply, has low power dissipation, and is available in a space-saving 3 × 3 mm 16-lead lead frame chip scale package (LFCSP).

## FUNCTIONAL BLOCK DIAGRAM

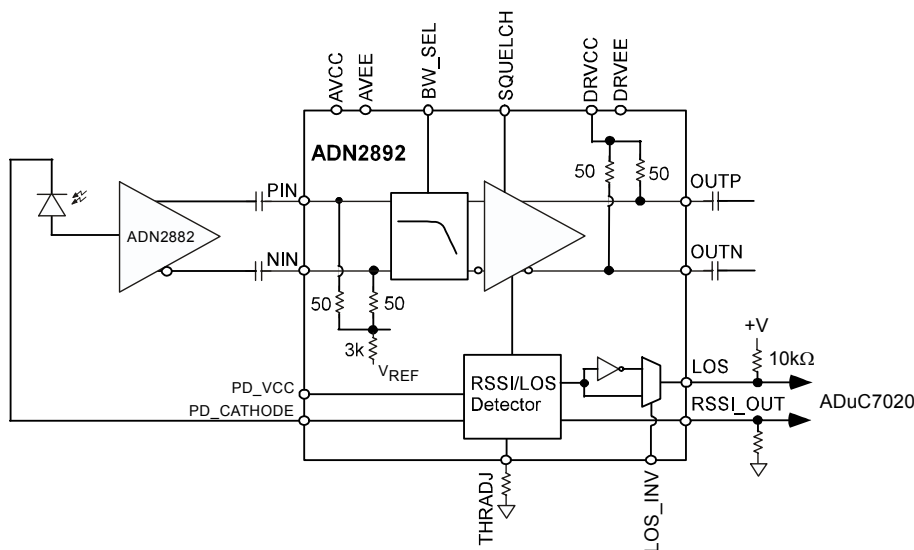


Figure 1.

### Rev. PrA.

Information furnished by Analog Devices is believed to be accurate and reliable. However, no responsibility is assumed by Analog Devices for its use, nor for any infringements of patents or other rights of third parties that may result from its use. Specifications subject to change without notice. No license is granted by implication or otherwise under any patent or patent rights of Analog Devices. Trademarks and registered trademarks are the property of their respective owners.

One Technology Way, P.O. Box 9106, Norwood, MA 02062-9106, U.S.A.  
Tel: 781.329.4700 [www.analog.com](http://www.analog.com)  
Fax: 781.326.8703 © 2004 Analog Devices, Inc. All rights reserved.

**TABLE OF CONTENTS**

Specifications.....	3	Loss of Signal (LOS) Detector .....	8
Absolute Maximum Ratings.....	5	Received Signal Strength Indicator (RSSI) .....	8
Thermal Resistance .....	5	Squelch Mode .....	8
ESD Caution.....	5	Applications Information .....	9
Pin Configuration and Function Descriptions.....	6	PCB Design Guidelines .....	9
Typical Performance Characteristics .....	7	Outline Dimensions .....	11
Theory of Operation .....	8	Ordering Guide .....	11
LIMAMP .....	8		

**REVISION HISTORY**

Revision A: Initial Version

## SPECIFICATIONS

$V_{CC} = V_{MIN}$  to  $V_{MAX}$ ,  $V_{EE} = 0$  V,  $T_A = T_{MIN}$  to  $T_{MAX}$ ,  $BW\_SEL = 1$ , unless otherwise noted.

Table 1.

Parameter	Min	Typ	Max	Unit	Test Conditions/Comments
<b>QUANTIZER DC CHARACTERISTICS</b>					
Input Voltage Range	1.8		2.8	V p-p	@ PIN or NIN, dc-coupled
Input Common Mode	2.1		2.7	V	DC-coupled
Peak-to-Peak Differential Input Range			2.0	V p-p	PIN – NIN, ac-coupled
Input Sensitivity		3		mV p-p	PIN – NIN, BER $\leq 1 \times 10^{-10}$
Input Offset Voltage		100		$\mu$ V	
Input RMS Noise		205		$\mu$ V rms	
Input Resistance		50		$\Omega$	Single-ended
Input Capacitance		0.65		pF	
<b>QUANTIZER AC CHARACTERISTICS</b>					
Input Data Rate	1.0		4.25	Gb/s	$BW\_SEL = 1$
	1.0		2.125	Gb/s	$BW\_SEL = 0$
Small Signal Gain		51		dB	Differential
S11		-15		dB	Differential, $f < 4.25$ GHz
S22		-15		dB	Differential, $f < 4.25$ GHz
Random Jitter			5	ps rms	Input $\geq 10$ mV p-p, 4.25Gb/s, PRBS $2^7 - 1$
Deterministic Jitter			10	ps p-p	Input $\geq 10$ mV p-p, 4.25 Gb/s, PRBS $2^7 - 1$
Low Frequency Cutoff		30		kHz	
Power Supply Noise Rejection		45		dB	$f < 10$ MHz
<b>LOSS OF SIGNAL DETECTOR (LOS)</b>					
LOS Assert Level	TBD	3.0	TBD	mV p-p	$R_{THRADJ} = 100$ k $\Omega$
	TBD	45.0	TBD	mV p-p	$R_{THRADJ} = 0$ $\Omega$
LOS Hysteresis		3	TBD	dB	4.25Gb/s, PRBS $2^7 - 1$ , $R_{THRADJ} = 0$ $\Omega$
	TBD	3		dB	4.25Gb/s, PRBS $2^7 - 1$ , $R_{THRADJ} = 100$ k $\Omega$
LOS Assert Time		600		ns	DC-coupled
LOS De-Assert Time		100		ns	DC-coupled
<b>RSSI</b>					
Input Current Range	5		1000	$\mu$ A	
RSSI Output Accuracy			15	%	$I_{IN} \leq 20$ $\mu$ A
			10	%	$I_{IN} > 20$ $\mu$ A
Gain		1.0		mA/mA	$I_{RSSI}/I_{PD}$
Offset		50		nA	
Compliance Voltage	$V_{CC} - 0.9$		$V_{CC} - 0.3$	V	@ PD_CATHODE
<b>POWER SUPPLIES</b>					
$V_{CC}$	3.0	3.3	3.6	V	
$I_{CC}$		50		mA	
<b>OPERATING TEMPERATURE RANGE</b>					
	-40	+25	+95	$^{\circ}$ C	$T_{MIN}$ to $T_{MAX}$
<b>CML OUTPUT CHARACTERISTICS</b>					
Output Impedance		50		$\Omega$	Single-ended
Output Voltage Swing	600	700	800	V p-p	Differential
Output Rise and Fall Time		65		ps	20% to 80%
<b>LOGIC INPUTS</b>					
$V_{IH}$ , Input High Voltage	2.0			V	
$V_{IL}$ , Input Low Voltage			0.8	V	
Input Current	-100			nA	$I_{INH}$ , $V_{IN} = 2.4$ V
			100	nA	$I_{INL}$ , $V_{IN} = 0.4$ V

Parameter	Min	Typ	Max	Unit	Test Conditions/Comments
LOGIC OUTPUTS (LOS)					
$V_{OH}$ , Output High Voltage	2.4			V	Open drain output, 4.7 k $\Omega$ – 10 k $\Omega$ pull-up resistor to $V_{CC}$
$V_{OL}$ , Output Low Voltage			0.4	V	Open drain output, 4.7 k $\Omega$ – 10 k $\Omega$ pull-up resistor to $V_{CC}$

## ABSOLUTE MAXIMUM RATINGS

Table 2.

Parameter	Rating
Supply Voltage	4.2 V
Minimum Input Voltage (All Inputs)	$V_{EE} - 0.4 V$
Maximum Input Voltage (All Inputs)	$V_{CC} + 0.4 V$
Storage Temperature	$-65^{\circ}\text{C}$ to $+155^{\circ}\text{C}$
Operating Temperature Range	$-40^{\circ}\text{C}$ to $+95^{\circ}\text{C}$
Lead Temperature Range (Soldering 10 s)	$300^{\circ}\text{C}$
Junction Temperature	$125^{\circ}\text{C}$

Stresses above those listed under Absolute Maximum Ratings may cause permanent damage to the device. This is a stress rating only and functional operation of the device at these or any other conditions above those indicated in the operational section of this specification is not implied. Exposure to absolute maximum rating conditions for extended periods may affect device reliability.

### THERMAL RESISTANCE

$\theta_{JA}$  is specified for 4-layer PCB with exposed paddle soldered to GND.

Table 3.

Package Type	$\theta_{JA}$	Unit
16-lead 3 × 3 mm LFCSP	28	$^{\circ}\text{C}/\text{W}$

### ESD CAUTION

ESD (electrostatic discharge) sensitive device. Electrostatic charges as high as 4000 V readily accumulate on the human body and test equipment and can discharge without detection. Although this product features proprietary ESD protection circuitry, permanent damage may occur on devices subjected to high energy electrostatic discharges. Therefore, proper ESD precautions are recommended to avoid performance degradation or loss of functionality.



## PIN CONFIGURATION AND FUNCTION DESCRIPTIONS

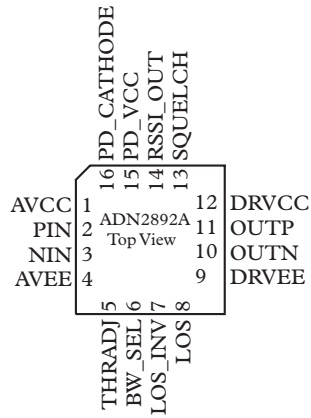


Figure 2. Pin Configuration

Note: There is an exposed pad on the bottom of the package that must be connected to the GND plane with filled vias.

Table 4. Pin Function Descriptions

Pin No.	Mnemonic	I/O	Description
1	AVCC	Power	Analog Power
2	PIN	Input	Differential Data Input
3	NIN	Input	Differential Data Input
4	AVEE	Power	Analog Ground
5	THRADJ	Input	LOS Threshold Adjust Resistor
6	BW_SEL	Input	Rate Select: BW_SEL = 0 for 1x/2xFC, BW_SEL = 1 for 4xFC
7	LOS_INV	Input	LOS_INV=1 inverts the LOS output to be active low (for SFF).
8	LOS	Output	LOS Detector Output
9	DRVVEE	Power	Output Buffer Ground
10	OUTN	Output	Differential Data Output
11	OUTP	Output	Differential Data Output
12	DRVCC	Power	Output Buffer Power
13	SQUELCH	Input	Disable Outputs
14	RSSI_OUT	Output	Average Current Output
15	PD_VCC	Power	Power Input for RSSI Measurement
16	PD_CATHODE	Output	Photodiode Bias Voltage
Exposed Pad	Pad	Power	Connect to Ground

# TYPICAL PERFORMANCE CHARACTERISTICS

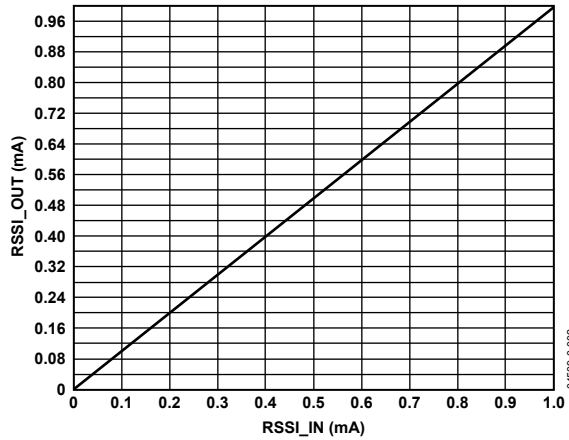


Figure 3. RSSI Output vs. Average PIN Photodiode Current

Figure 6. S11 Plot—TBD

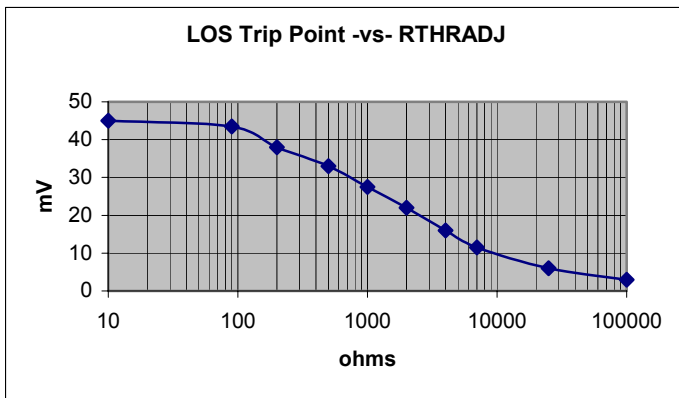


Figure 4. LOS Trip Point vs. Threshold Adjust Resistor

Figure 7.S22 Plot—TBD

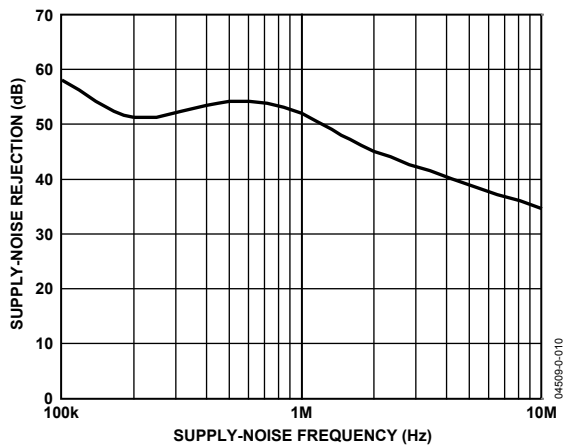


Figure 5. Typical PSRR vs. Supply-Noise Frequency

## THEORY OF OPERATION

### LIMAMP

#### *Input Buffer*

The limiting amplifier has differential inputs (PIN/NIN), with an internal 50  $\Omega$  termination. The ROSA (receive optical sub-assembly) is typically ac-coupled to the ADN2892 inputs (although dc coupling is possible).

There is an on-chip, input offset compensation loop with a 30kHz low-frequency cutoff.

#### *CML Output Buffer*

The ADN2892 provides CML outputs, OOTP/OUTN. The outputs are internally terminated with 50  $\Omega$  to  $V_{CC}$ .

The outputs can be kept at a static voltage by driving the SQUELCH pin to a logic high. The SQUELCH pin can be driven directly by the LOS pin, which automatically disables the LIMAMP outputs in situations with no data input.

### BANDWIDTH SELECT

The ADN2892 has an on-chip selectable 4th order Bessel-Thomson filter in order to support 1x/2x/4x Fiber Channel transceivers utilizing rate select. Setting the BW\_SEL pin to logic 0 selects the on-chip filter which reduces the BW of the limamp to ~1.5GHz. This is sufficient to filter out the relaxation oscillation from legacy 1Gb/s Fiber Channel transmitters using CD lasers while still providing enough BW to be backwards compatible with 1x/2x FC multi-rate SFP modules that don't use the rate select function.

Setting the BW\_SEL pin to a logic 1 sets the bandwidth of the ADN2892 to the full BW of ~4.25GHz. This rate select protocol is compliant with SFF-8079 Rev 1.0

### LOSS OF SIGNAL (LOS) DETECTOR

The receiver front-end LOS detector circuit indicates when the input signal level has fallen below a user-adjustable threshold. The threshold is set by a resistor connected between the THRADJ pin and  $V_{EE}$ . When the input level drops below this threshold, the LOS output will assert to a logic 1. There is hysteresis built into the LOS circuit to prevent chattering at the LOS output. The LOS hysteresis is typically 5dB.

The LOS output is an open-drain output that needs to be externally pulled up with a 4.7k $\Omega$ -10k $\Omega$  resistor. The LOS output active high by default which is compliant with the SFP and GBIC MSAs. There is an LOS\_INV input which, when set to a logic 1, inverts the LOS output so that it is active low. This is in order to support the SFF MSA.

### RECEIVED SIGNAL STRENGTH INDICATOR (RSSI)

The ADN2892 has an on-chip RSSI circuit that automatically detects the average received power, based on a direct measurement of the PIN photodiode's current. The photodiode bias is supplied by the ADN2892, which allows a very accurate, on-chip, average power measurement based on the amount of current supplied to the photodiode. The output of the RSSI is a current that is directly proportional to the average amount of PIN photodiode current. Placing a resistor between the RSSI\_OUT pin and GND converts the current to a GND referenced voltage. This function eliminates the need for external RSSI circuitry in SFF-8472 compliant optical receivers.

### SQUELCH MODE

Driving the SQUELCH input to a logic high disables the limiting amplifier outputs. The SQUELCH input can be connected to the LOS output to keep the limiting amplifier outputs at a static voltage level anytime the input level to the limiting amplifier drops below the programmed LOS threshold.





**PCB Layout**

Figure 9 shows a recommended PC board layout. Use of 50 Ω transmission lines is required for all high frequency input and output signals to minimize reflections: PIN, NIN, OUTP and OUTN. It is also necessary for the PIN/NIN input traces to be matched in length, and OUTP/OUTN output traces to be matched in length to avoid skew between the differential traces. C1, C2, C3, and C4 are ac coupling capacitors in series with the high speed I/O. It is recommended that components be used such that the pad for the capacitor is the same width as the transmission line to minimize the mismatch in the 50 Ω transmission line at the capacitor's pads. It is recommended that the transmission lines not change layers through vias, if possible. For supply decoupling, the 1nF decoupling capacitor should be placed on the same layer as the ADN2892 as close as possible to the VCC pin. The 0.1uF capacitor can be placed on the bottom of the PCB directly underneath the 1nF decoupling capacitor. All high speed CML outputs are back-terminated on

chip with 50 Ω resistors connected between the output pin and VCC. The high speed inputs, PIN and NIN, are internally terminated with 50 Ω to an internal reference voltage.

As with any high speed mixed-signal design, take care to keep all high speed digital traces away from sensitive analog nodes.

**Soldering Guidelines for Chip Scale Package**

The lands on the 16 LFCSP are rectangular. The printed circuit board pad for these should be 0.1 mm longer than the package land length and 0.05 mm wider than the package land width. The land should be centered on the pad. This ensures that the solder joint size is maximized. The bottom of the chip scale package has a central exposed pad. The pad on the printed circuit board should be at least as large as this exposed pad. The user must connect the exposed pad to VEE using filled vias so that solder does not leak through the vias during reflow. This ensures a solid connection from the exposed pad to VEE.

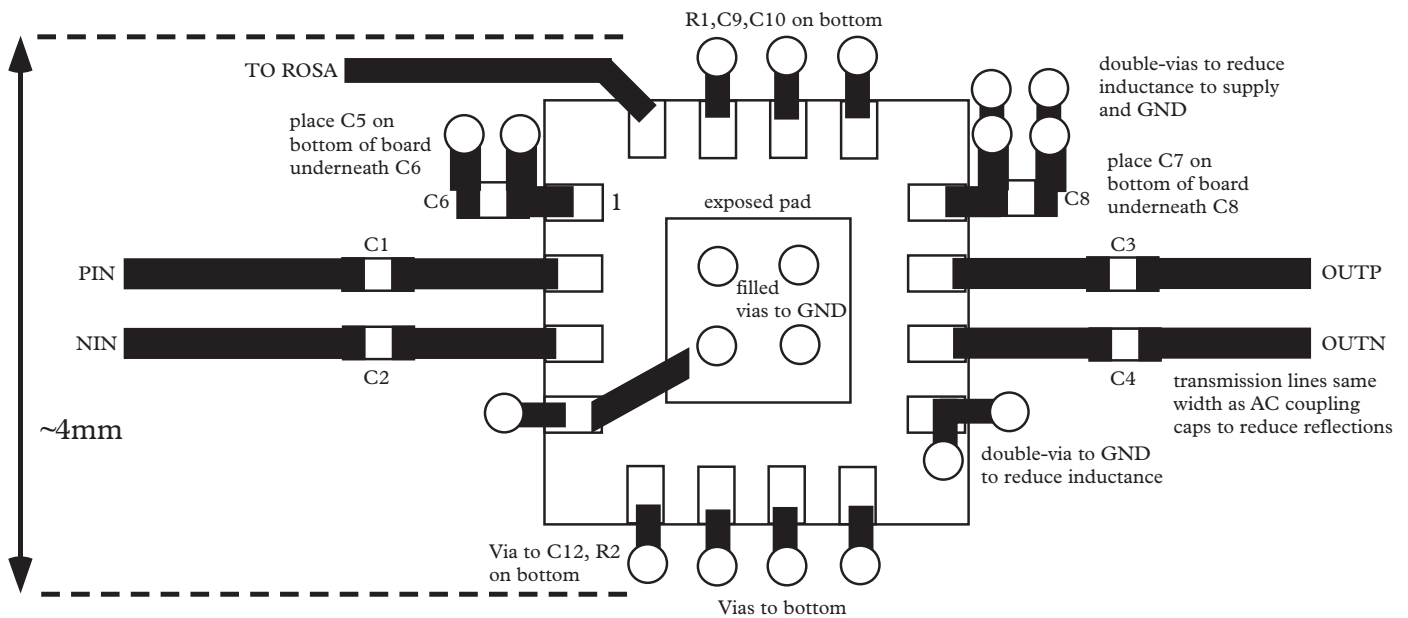
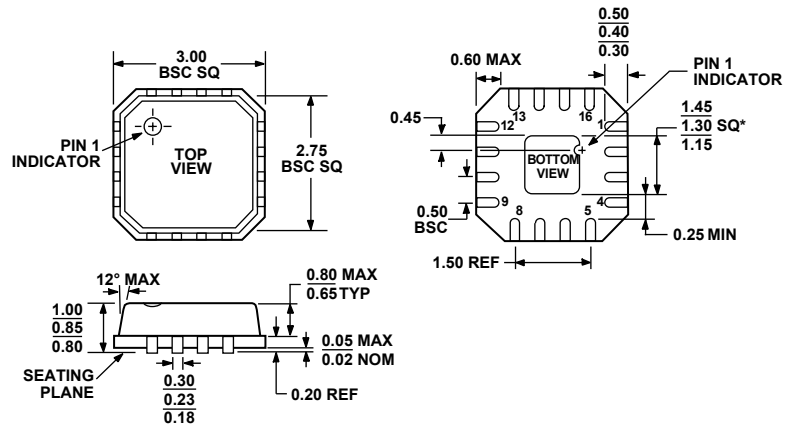


Figure 9. Recommended ADN2892 PCB Layout

# OUTLINE DIMENSIONS



\*COMPLIANT TO JEDEC STANDARDS MO-220-VEED-2 EXCEPT FOR EXPOSED PAD DIMENSION

Figure 10. 16-Lead Lead Frame Chip Scale Package [LFCSP]  
 3 × 3 mm Body  
 (CP-16-2)  
 Dimensions shown in millimeters

## ORDERING GUIDE

Model	Temperature Range	Package Description	Package Option
ADN2892ACP-RL	-40°C to +95°C	16-LFCSP	CP-16-2
ADN2892ACP-RL7	-40°C to +95°C	16-LFCSP	CP-16-2

**NOTES**