

---

## ADNS-3080

### High-Performance Optical Mouse Sensor

---

## Data Sheet



Lead (Pb) Free  
RoHS 6 fully  
compliant



### Description

The ADNS-3080 is a high performance addition to PixArt Imaging popular ADNS family of optical mouse sensors.

The ADNS-3080 is based on a new, faster architecture with improved navigation. The sensor is capable of sensing high speed mouse motion - up to 40 inches per second and acceleration up to 15g – for increased user precision and smoothness.

The ADNS-3080 along with the ADNS-2120-001 trim lens, ADNS-2220-001 assembly clip and HLMP-EG3E-xxxxx led form a complete, compact optical mouse tracking system. There are no moving parts, which means high reliability and less maintenance for the end user. In addition, precision optical alignment is not required, facilitating high volume assembly.

The sensor is programmed via registers through a four-wire serial port. It is packaged in a 20-pin staggered dual inline package (DIP).

### Theory of Operation

The ADNS-3080 is based on Optical Navigation Technology, which measures changes in position by optically acquiring sequential surface images (frames) and mathematically determining the direction and magnitude of movement.

It contains an Image Acquisition System (IAS), a Digital Signal Processor (DSP), and a four-wire serial port.

The IAS acquires microscopic surface images via the lens and illumination system. These images are processed by the DSP to determine the direction and distance of motion. The DSP calculates the  $\Delta x$  and  $\Delta y$  relative displacement values.

An external microcontroller reads the  $\Delta x$  and  $\Delta y$  information from the sensor serial port. The microcontroller then translates the data into PS2 or USB signals before sending them to the host PC or game console.

### Features

- High speed motion detection – up to 40 ips and 15g
- New architecture for greatly improved optical navigation technology
- Programmable frame rate over 6400 frames per second
- SmartSpeed self-adjusting frame rate for optimum performance
- Serial port burst mode for fast data transfer
- 400 or 1600 cpi selectable resolution
- Single 3.3 volt power supply
- Four-wire serial port along with Chip Select, Power Down, and Reset pins

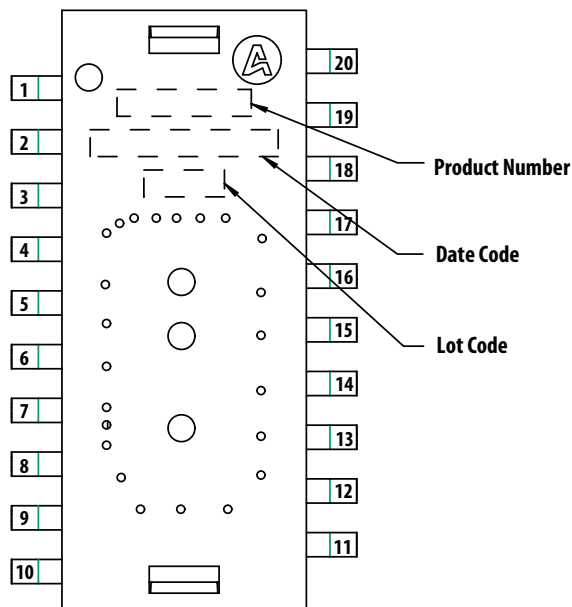
### Applications

- Mice for game consoles and computer games
- Mice for desktop PC's, Workstations, and portable PC's
- Trackballs
- Integrated input devices

**High-Performance Optical Mouse Sensor**

**Pinout**

Pin	Name	Description
1	NCS	Chip select (active low input)
2	MISO	Serial data output (Master In/Slave Out)
3	SCLK	Serial clock input
4	MOSI	Serial data input (Master Out/Slave In)
5	LED_CTRL	LED control output
6	RESET	Reset input
7	NPD	Power down (active low input)
8	OSC_OUT	Oscillator output
9	GUARD	Oscillator gnd for PCB guard (optional)
10	OSC_IN	Oscillator input
11	NC	No connect
12	OPTP	Connect to VDD3
13	REFC	Reference capacitor
14	REFB	Reference capacitor
15	VDD3	Supply voltage
16	GND	Ground
17	VDD3	Supply voltage
18	NC	No connect
19	GND	Ground
20	NC	No connect



Item	Marking	Remarks
Product Number	A3080	
Date Code	XYWWZ	X = Subcon Code YYWW = Date Code Z = Sensor Die Source
Lot Code	VVV	Numeric

**Figure 1. Package outline drawing (top view)**

High-Performance Optical Mouse Sensor

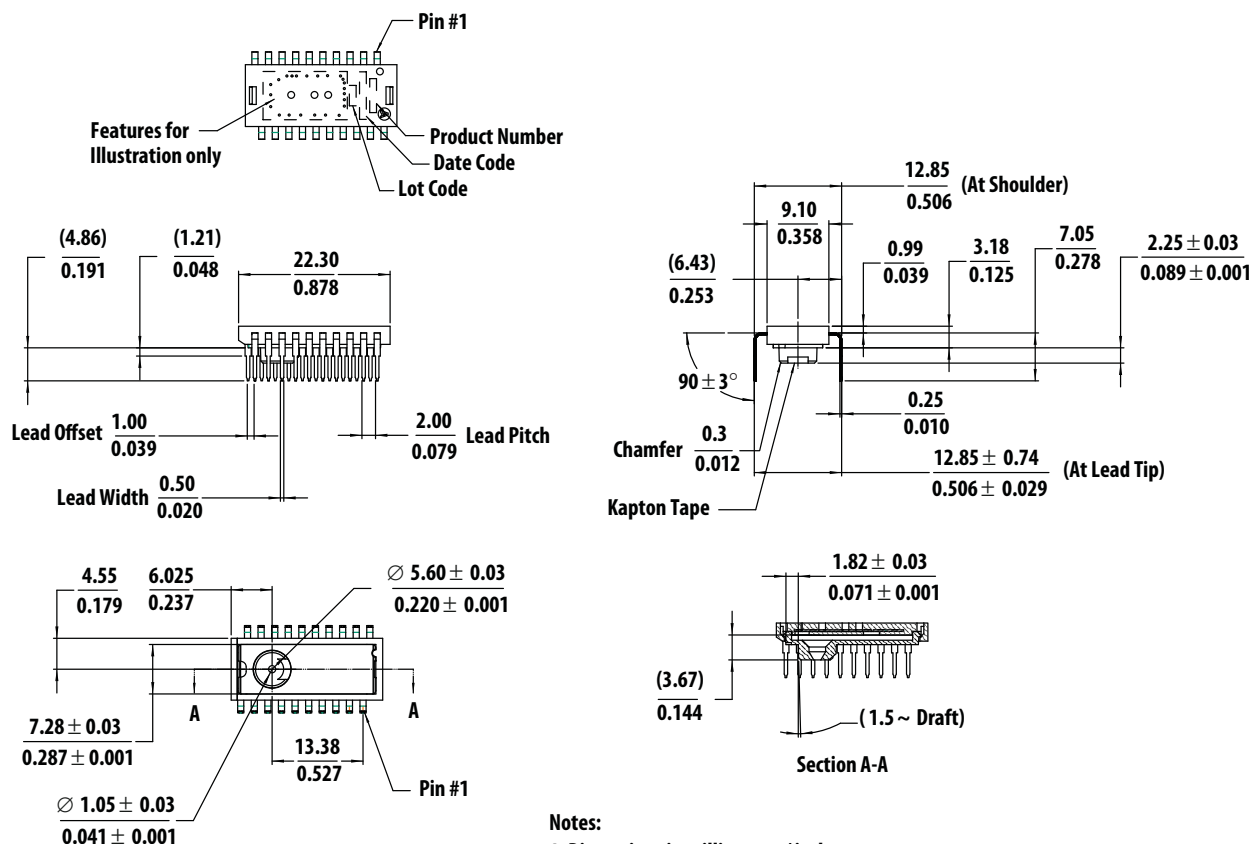


Figure 2. Package outline drawing

*CAUTION: It is advised that normal static precautions be taken in handling and assembly of this component to prevent damage and/or degradation which may be induced by ESD.*

Overview of Optical Mouse Sensor Assembly

2D Assembly Drawing of ADNS-3080

Shown with ADNS-2120-001 trim lens, ADNS-2220-001 assembly clip and HLMP-EG3E-xxxxx led.

PixArt Imaging provides an IGES file drawing describing the base plate molding features for lens and PCB alignment.

The components interlock as they are mounted onto defined features on the base plate.

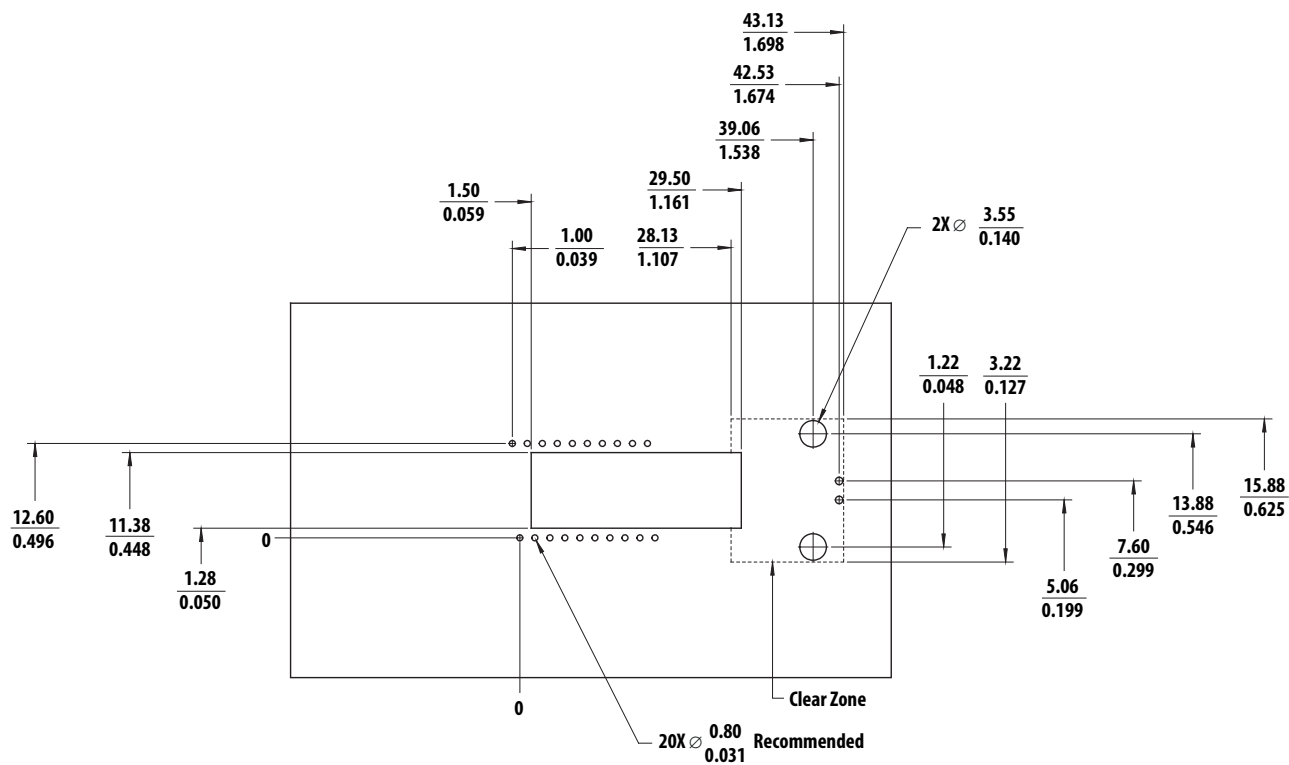
The ADNS-3080 sensor is designed for mounting on a through hole PCB, looking down. There is an aperture stop and features on the package that align to the lens.

The ADNS-2120-001 trim lens provides optics for the imaging of the surface as well as illumination of the

surface at the optimum angle. Features on the lens align it to the sensor, base plate, and clip with the LED. The lens also has a large round flange to provide a long creepage path for any ESD events that occur at the opening of the base plate.

The ADNS-2220-001 clip holds the LED in relation to the lens. The LED must be inserted into the clip and the LED's leads formed prior to loading on the PCB. The clip interlocks the sensor to the lens, and through the lens to the alignment features on the base plate.

The HLMP-EG3E-xxxxx LED is recommended for illumination. If used with the bin table, sufficient illumination can be guaranteed.



Dimensions in millimeters / inches

Figure 3. Recommended PCB mechanical cutouts and spacing

High-Performance Optical Mouse Sensor

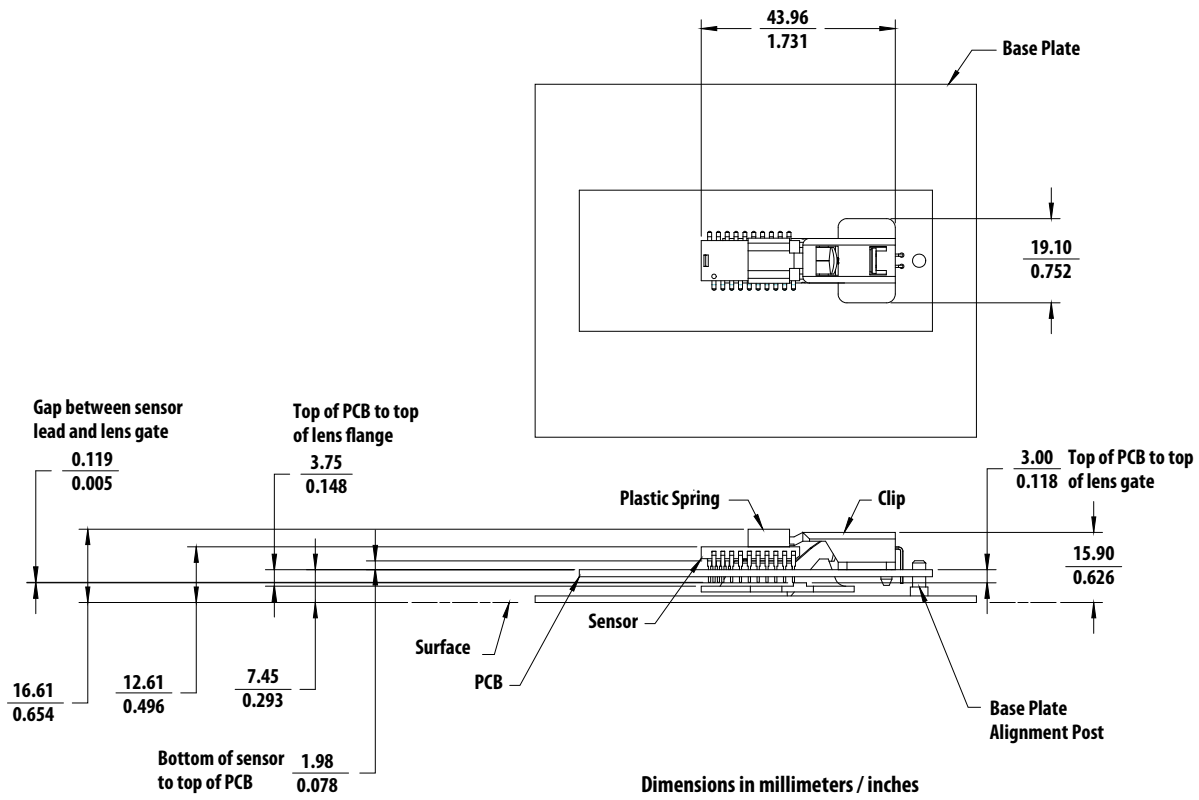


Figure 4. 2D Assembly drawing of ADNS-3080 (top and side view)

NOTE: These new Bli 3d;\_ SY[ Y optical mouse sensors, lenses and clips have different physical configurations that require a different PCB mounting method to optimize the navigation performance.

Refer Application Notes AN 5035 for further information.

High-Performance Optical Mouse Sensor

PCB Assembly Considerations

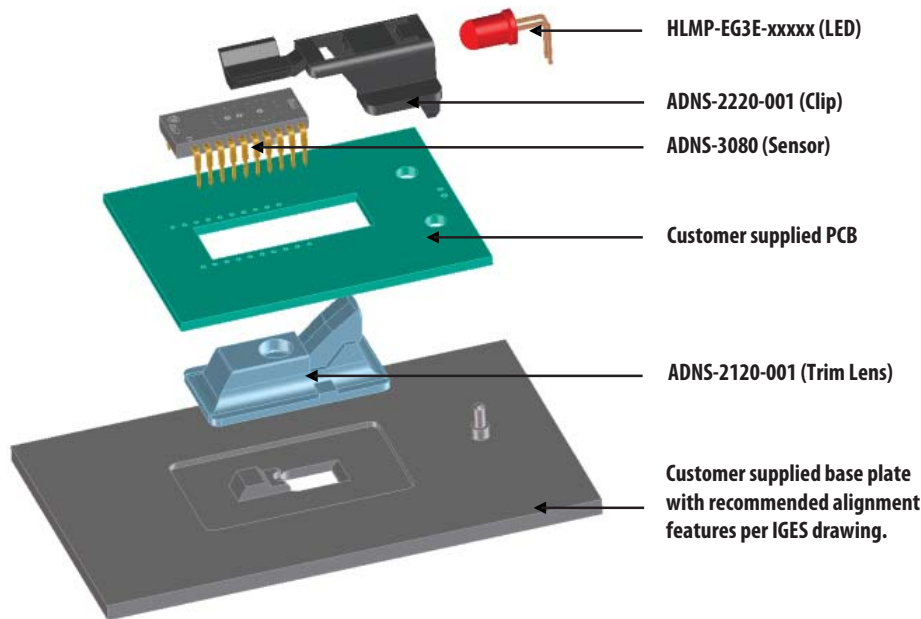


Figure 5. Exploded view drawing

1. Insert the sensor and all other electrical components into PCB.
2. Insert the LED into the assembly clip and bend the leads 90 degrees.
3. Insert the LED/clip assembly into PCB.
4. This sensor package is only qualified for wave-solder process.
5. Wave Solder the entire assembly in a no-wash solder process utilizing solder fixture. The solder fixture is needed to protect the sensor during the solder process. It also sets the correct sensor-to-PCB distance as the lead shoulders do not normally rest on the PCB surface. The fixture should be designed to expose the sensor leads to solder while shielding the optical aperture from direct solder contact.
6. Place the lens onto the base plate.
7. Remove the protective kapton tape from optical aperture of the sensor. Care must be taken to keep contaminants from entering the aperture. During mouse assembly process, it is recommended that the PCB is held vertically when kapton tapes are being removed.
8. Insert PCB assembly over the lens onto the base plate aligning post to retain PCB assembly. The sensor aperture ring should self-align to the lens.
9. The optical position reference for the PCB is set by the base plate and lens. Note that the PCB motion due to button presses must be minimized to maintain optical alignment.
10. Install mouse top case. There MUST be a feature in the top case to press down.

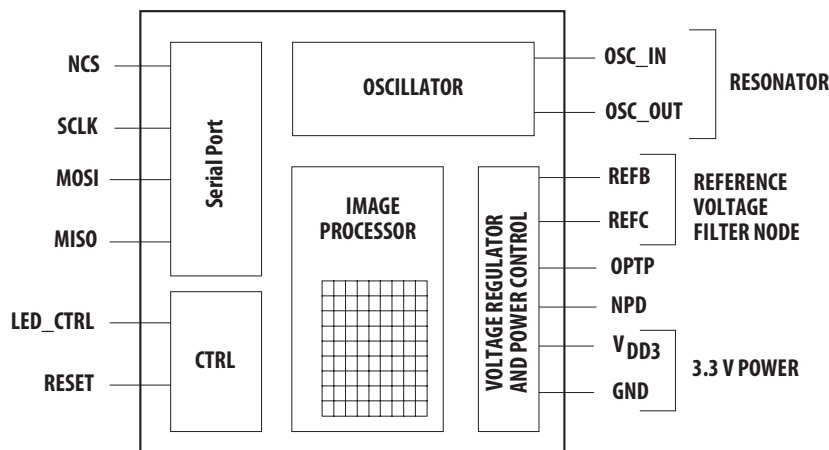


Figure 6. Block diagram of ADNS-3080 optical mouse sensor

All rights strictly reserved any portion in this paper shall not be reproduced, copied or transformed to any other forms without permission.

High-Performance Optical Mouse Sensor

Design considerations for improving ESD Performance

The flange on the lens has been designed to increase the creepage and clearance distance for electrostatic discharge. The table below shows typical values assuming base plate construction per the PixArt Imaging supplied IGES file and ADNS-2120-001 trim lens flange.

Typical Distance	Millimeters
Creepage	16.0
Clearance	2.1

For improved ESD performance, the lens flange can be sealed (i.e. glued) to the base plate. Note that the lens material is polycarbonate and therefore, cyanoacrylate based adhesives or other adhesives that may damage the lens should NOT be used.

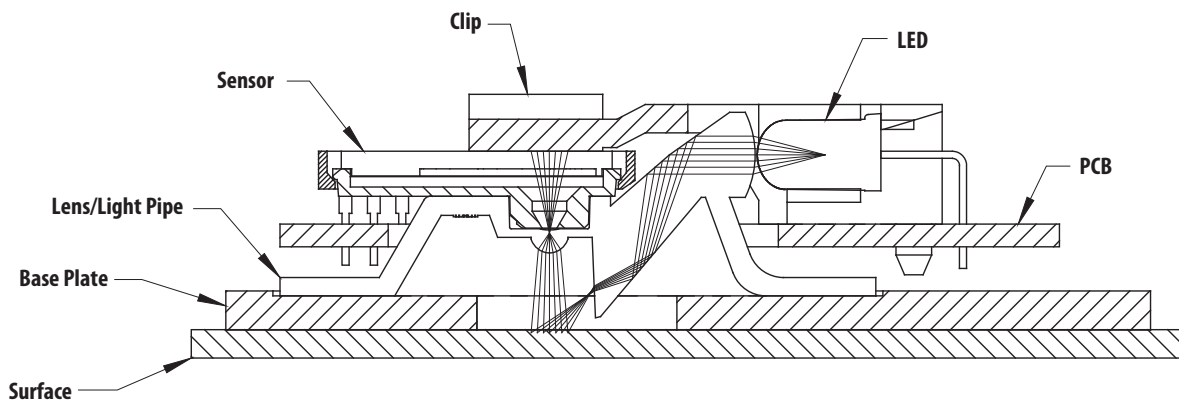
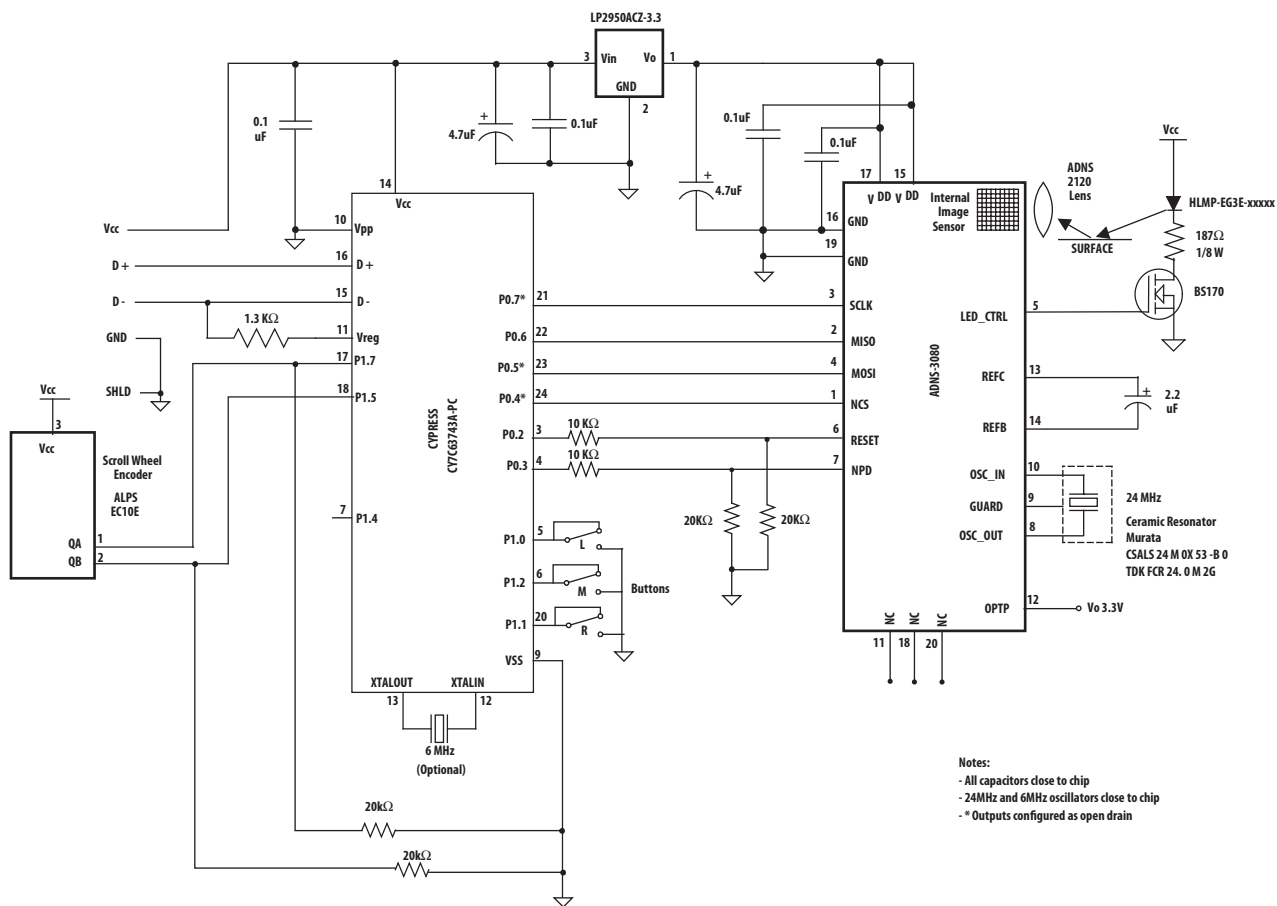


Figure 7. Cross section of PCB assembly

High-Performance Optical Mouse Sensor



Notes:  
 - All capacitors close to chip  
 - 24MHz and 6MHz oscillators close to chip  
 - \* Outputs configured as open drain

Figure 8. Schematic Diagram for USB, PS/2 mouse application with ADNS-3080

Notes

- Caps for pins 15 and 17 MUST have trace lengths LESS than 5 mm to nearest ground pin.
- Pins 15 and 17 caps MUST use pin 16 GND.
- Pin 9, if used, should not be connected to PCB GND to reduce potential RF emissions.
- The 0.1 uF caps must be ceramic.
- Caps should have less than 5 nH of self inductance.
- Caps should have less than 0.2 Ω ESR.
- NC pins should not be connected to any traces.
- Surface mount parts are recommended.
- Care must be taken when interfacing a 5V microcontroller to the ADNS-3080. Serial port inputs on the sensor should be connected to open-drain outputs from the microcontroller or use an active drive level shifter. NPD and RESET should be connected to 5V microcontroller outputs through a resistor divider or other level shifting technique.
- VDD3 and GND should have low impedance connections to the power supply.
- Capacitors connected to pin 15 and 17 should be connected to pin 16 and then to pin 19.

All rights strictly reserved any portion in this paper shall not be reproduced, copied or transformed to any other forms without permission.

PixArt Imaging Inc.

E-mail: [fae\\_service@pixart.com.tw](mailto:fae_service@pixart.com.tw)



**Enabling the SR0M**

For best tracking performance,SR0M is required to be loaded into ADNS-3080. This architecture enables immediate adoption of new features and improved performance algorithms. The external program is supplied by PixArt Imaging as a file which may be burned into a programmable device. A micro-controller with sufficient memory may be used. On power-up and reset, the ADNS-3080 program is downloaded into volatile memory using the burst-mode procedure described in the Synchronous Serial Port section. The program size is 1986 x 8 bits.

**Regulatory Requirements**

- Passes FCC B and worldwide analogous emission limits when assembled into a mouse with shielded cable and following PixArt Imaging’ recommendations.
- Passes IEC-1000-4-3 radiated susceptibility level when assembled into a mouse with shielded cable and following PixArt Imaging’ recommendations.
- Passes EN61000-4-4/IEC801-4 EFT tests when assembled into a mouse with shielded cable and following PixArt Imaging ’ recommendations.
- UL flammability level UL94 V-0.
- Provides sufficient ESD creepage/clearance distance to avoid discharge up to 15kV when assembled into a mouse according to usage instructions above.

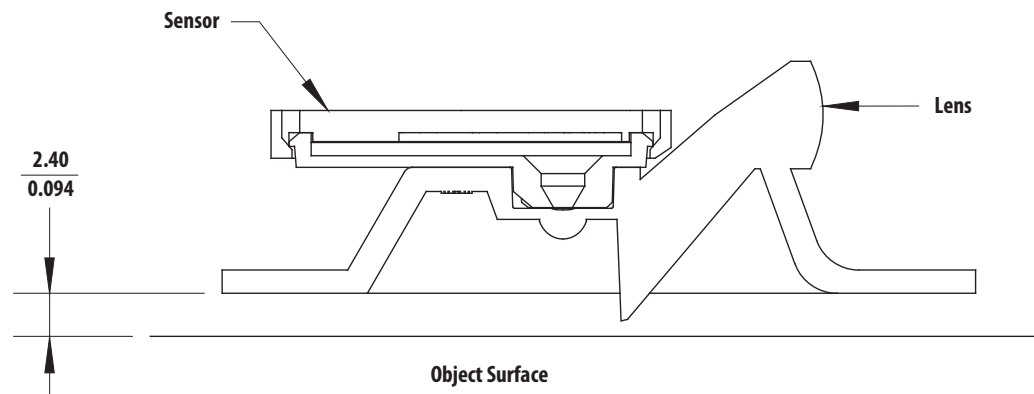


Figure 9. Distance from lens reference plane to surface

## High-Performance Optical Mouse Sensor

### Absolute Maximum Ratings

Parameter	Symbol	Minimum	Typical	Maximum	Units	Notes
Storage Temperature	T <sub>S</sub>	-40		85	°C	
Operating Temperature	T <sub>A</sub>	-15		55	°C	
Lead Solder Temp				260	°C	For 10 seconds, 1.6mm below seating plane.
Supply Voltage	V <sub>DD3</sub>	-0.5		3.7	V	
ESD				2	kV	All pins, human body model MIL 883 Method 3015
Input Voltage	V <sub>IN</sub>	-0.5		V <sub>DD3</sub> +0.5	V	NPD, NCS, MOSI, SCLK, RESET, OSC_IN, OSC_OUT, REFC.
Output current	I <sub>out</sub>			20	mA	LED_CTRL, MISO

### Recommended Operating Conditions

Parameter	Symbol	Minimum	Typical	Maximum	Units	Notes
Operating Temperature	T <sub>A</sub>	0		40	°C	
Power supply voltage	V <sub>DD3B</sub>	3.10	3.30	3.60	Volts	
Power supply rise time	V <sub>RT</sub>	1			us	0 to 3.0V
Supply noise (Sinusoidal)	V <sub>NB</sub>			30 80	mV p-p	10kHz- 300KHZ 300KHZ-50MHZ
Oscillator capable Frequency	f <sub>CLK</sub>	23	24	25	MHz	Set by ceramic resonator
Serial Port Clock Frequency	f <sub>SCLK</sub>			2 500	MHz kHz	Active drive, 50% duty cycle Open drain drive with pull-ups on, 50 pF load
Resonator Impedance	X <sub>RES</sub>			55	W	
Distance from lens reference plane to surface	Z	2.3	2.4	2.5	mm	Results in ±0.2 mm DOF, See drawing below
Speed	S	0		40	in/sec	@ 6469fps
Acceleration	A			15	g	@ 6469fps
Light level onto IC	IRR <sub>INC</sub>	20 24 100 120		6,000 7,200 6,000 7,200	mW/m <sup>2</sup>	I = 639 nm, FR=1500 fps I = 875 nm, FR=1500 fps I = 639 nm, FR=6469 fps I = 875 nm, FR=6469 fps
Frame Rate	FR	2000		6469	Frames/s	See Frame_Period register section
LED Drive Current	I <sub>LED</sub>	10			mA	HLMP-EG3E-xxxxx, bin N and brighter. Maximum frame rate may not be maintained on dark surfaces at the minimum LED drive current

All rights strictly reserved any portion in this paper shall not be reproduced, copied or transformed to any other forms without permission.

**PixArt Imaging Inc.**

E-mail: [fae\\_service@pixart.com.tw](mailto:fae_service@pixart.com.tw)

## High-Performance Optical Mouse Sensor

### AC Electrical Specifications

Electrical Characteristics over recommended operating conditions. Typical values at 25 °C,  $V_{DD3}=3.3V$ ,  $f_{clk}=24MHz$ .

Parameter	Symbol	Min.	Typical	Max.	Units	Notes
VDD to RESET	$t_{OP}$			250	$\mu s$	From VDD = 3.0V to RESET sampled
Data delay after RESET	$t_{PU-RESET}$			35	ms	From RESET falling edge to valid motion data at 2000 fps and shutter bound 8290.
Input delay after reset	$T_{IN-RST}$			500	$\mu s$	From RESET falling edge to inputs active (NPD, MOSI, NCS, SCLK)
Power Down	$t_{PD}$			2.1	ms	From NPD falling edge to initiate the power down cycle at 500fps ( $t_{pd} = 1 \text{ frame period} + 100ms$ )
Wake from NPD	$t_{PUPD}$			75	ms	From NPD rising edge to valid motion data at 2000 fps and shutter bound 8290. Max assumes surface change while NPD is low.
Data delay after NPD	$t_{COMPUTE}$			3.1	ms	From NPD rising edge to all registers contain data from new images at 2000fps (see Figure 10) .
RESET pulse width	$t_{PW-RESET}$	10			$\mu s$	
MISO rise time	$t_{r-MISO}$		40	200	ns	$C_L = 50pF$
MISO fall time	$t_{f-MISO}$		40	200	ns	$C_L = 50pF$
MISO delay after SCLK	$t_{DLY-MISO}$			120	ns	From SCLK falling edge to MISO data valid, no load conditions
MISO hold time	$t_{hold-MISO}$	250			ns	Data held until next falling SCLK edge
MOSI hold time	$t_{hold-MOSI}$	200			ns	Amount of time data is valid after SCLK rising edge
MOSI setup time	$t_{setup-MOSI}$	120			ns	From data valid to SCLK rising edge
SPI time between write commands	$t_{SWW}$	50			$\mu s$	From rising SCLK for last bit of the first data byte, to rising SCLK for last bit of the second data byte.
SPI time between write and read commands	$t_{SWR}$	50			$\mu s$	From rising SCLK for last bit of the first data byte, to rising SCLK for last bit of the second address byte.
SPI time between read and subsequent commands	$t_{SRW}$ $t_{SRR}$	250			ns	From rising SCLK for last bit of the first data byte, to falling SCLK for first bit of the second address byte.
SPI read address-data delay	$t_{SRAD}$	50			$\mu s$	From rising SCLK for last bit of the address byte, to falling SCLK for first bit of data being read. All registers except Motion & Motion_Burst
SPI motion read address-data delay	$t_{SRAD-MOT}$	75			$\mu s$	From rising SCLK for last bit of the address byte, to falling SCLK for first bit of data being read. Applies to 0x02 Motion, and 0x50 Motion_Burst, registers
NCS to SCLK active	$t_{NCS-SCLK}$	120			ns	From NCS falling edge to first SCLK rising edge
SCLK to NCS inactive	$t_{SCLK-NCS}$	120			ns	From last SCLK falling edge to NCS rising edge, for valid MISO data transfer
NCS to MISO high-Z	$t_{NCS-MISO}$			250	ns	From NCS rising edge to MISO high-Z state
SROM download and frame capture byte-to-byte delay	$t_{LOAD}$	10			$\mu s$	(see Figure 23 and 24)
NCS to burst mode exit	$t_{BEXIT}$	4			$\mu s$	Time NCS must be held high to exit burst mode
Transient Supply Current	$I_{DDT}$			85	mA	Max supply current during a $V_{DD3}$ ramp from 0 to 3.6V

All rights strictly reserved any portion in this paper shall not be reproduced, copied or transformed to any other forms without permission.

### DC Electrical Specifications

Electrical Characteristics over recommended operating conditions. Typical values at 25 °C, V<sub>DD3</sub>=3.3V, fclk=24MHz.

Parameter	Symbol	Minimum	Typical	Maximum	Units	Notes
DC Supply Current	I <sub>DD_AVG</sub>			52	mA	DC average at 6469 fps. No DC load on LED_CTRL, MISO.
Power Down Supply Current	I <sub>DDPD</sub>		5	90	μA	NPD=GND; SCLK, MOSI, NCS=GND or V <sub>DD3</sub> ; RESET=GND
Input Low Voltage	V <sub>IL</sub>			0.8	V	SCLK, MOSI, NPD, NCS, RESE
Input High Voltage	V <sub>IH</sub>	0.7 * V <sub>DD3</sub>			V	SCLK, MOSI, NPD, NCS, RESET
Input hysteresis	V <sub>I_HYS</sub>		200		mV	SCLK, MOSI, NPD, NCS, RESET
Input current, pull-up disabled	I <sub>IH_DPU</sub>		0	±10	μA	V <sub>in</sub> =0.8*V <sub>DD3</sub> , SCLK, MOSI, NCS
Input current, CMOS inputs	I <sub>IH</sub>		0	±10	μA	NPD, RESET, V <sub>in</sub> =0.8*V <sub>DD3</sub>
Output current, pulled-up inputs	I <sub>OH_PU</sub>	150	300	600	μA	V <sub>in</sub> =0.2V, SCLK, MOSI, NCS
Output Low Voltage LED_CTRL	V <sub>OL_LED</sub>			0.5	V	I <sub>out</sub> =2mA, LED_CTRL
Output High voltage, LED_CTRL	V <sub>OH_LED</sub>	0.8*V <sub>DD3</sub>			V	I <sub>out</sub> =-2mA, LED_CTRL
Output Low Voltage, MISO	V <sub>OL</sub>			0.5	V	I <sub>out</sub> =2mA, MISO
Output High Voltage, MISO	V <sub>OH</sub>	0.8*V <sub>DD3</sub>			V	I <sub>out</sub> =-2mA, MISO
Input Capacitance	C <sub>IN</sub>		14-22		pF	OSC_IN, OSC_OUT

### Detail of NPD rising edge timing

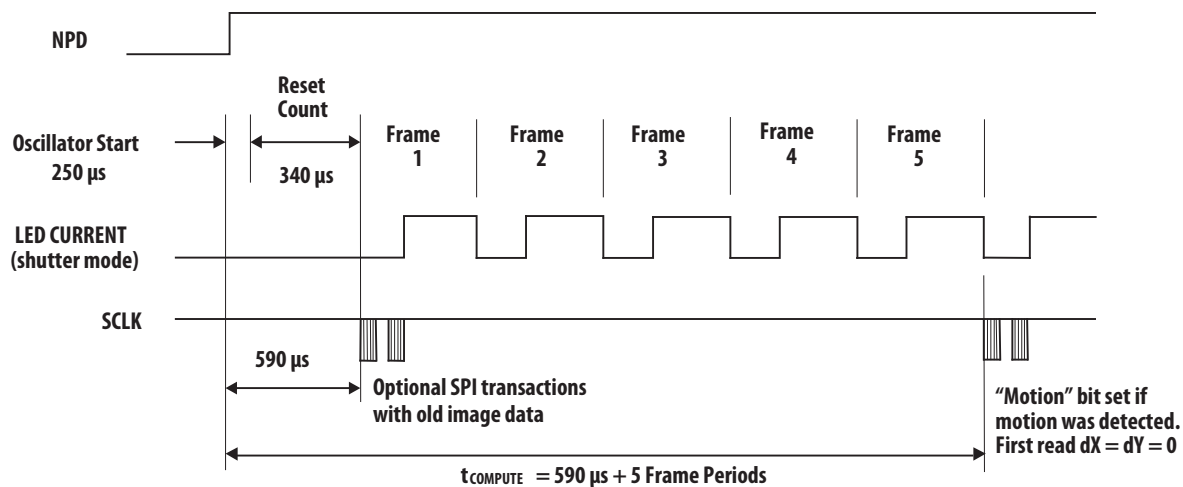


Figure 10. NPD Rising Edge Timing Detail

All rights strictly reserved any portion in this paper shall not be reproduced, copied or transformed to any other forms without permission.

Typical Performance Characteristics

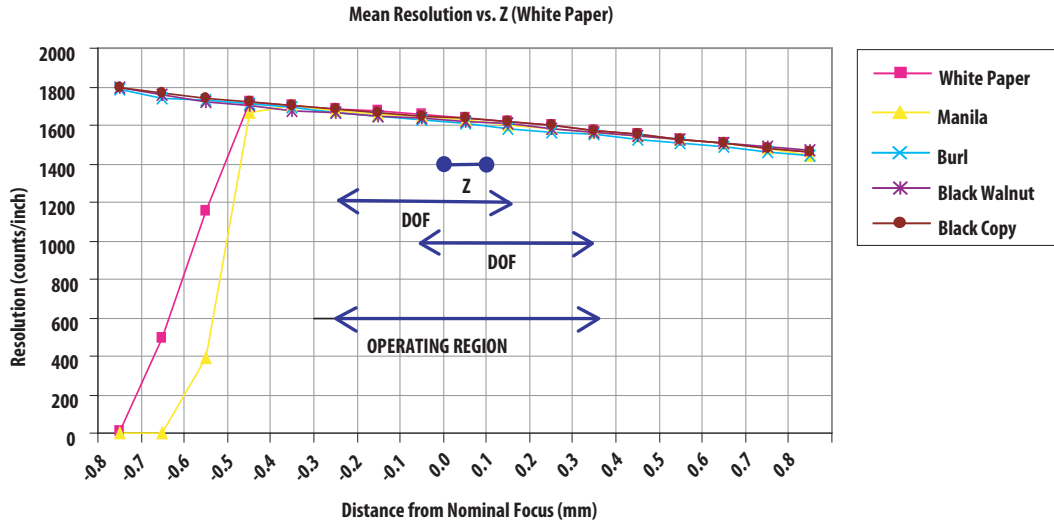


Figure 11. Mean Resolution vs. Z (White Paper)

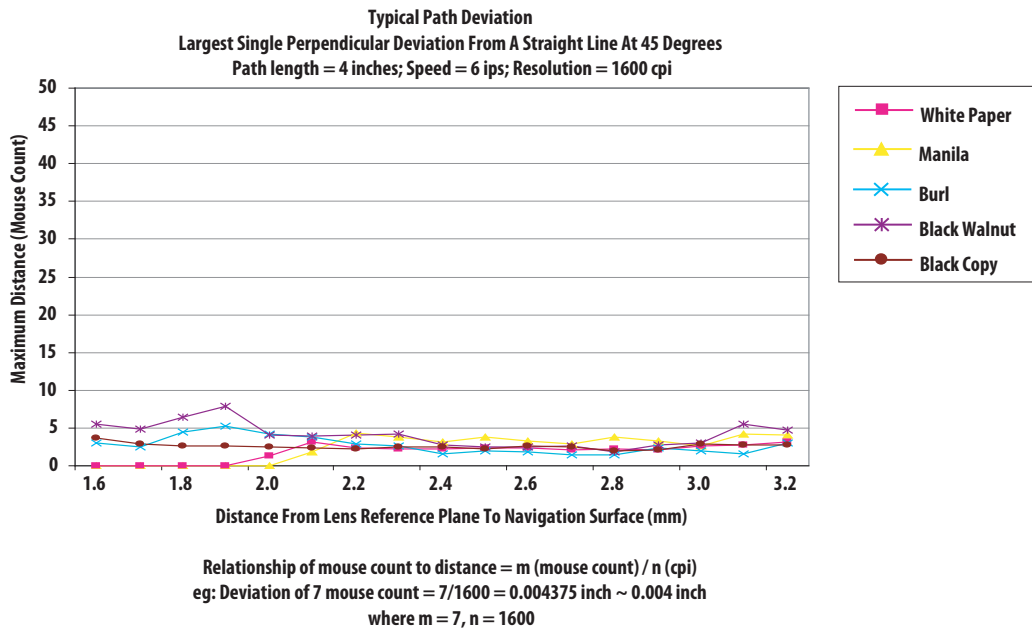


Figure 12. Average error vs. Distance (mm)

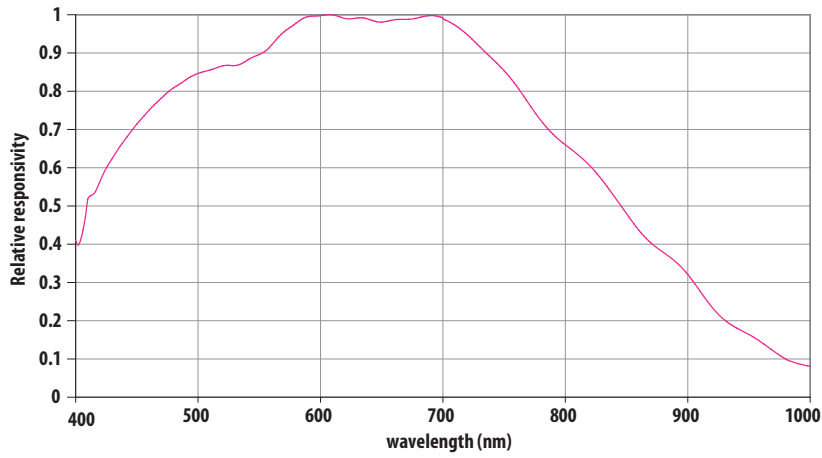


Figure 13. Relative responsivity

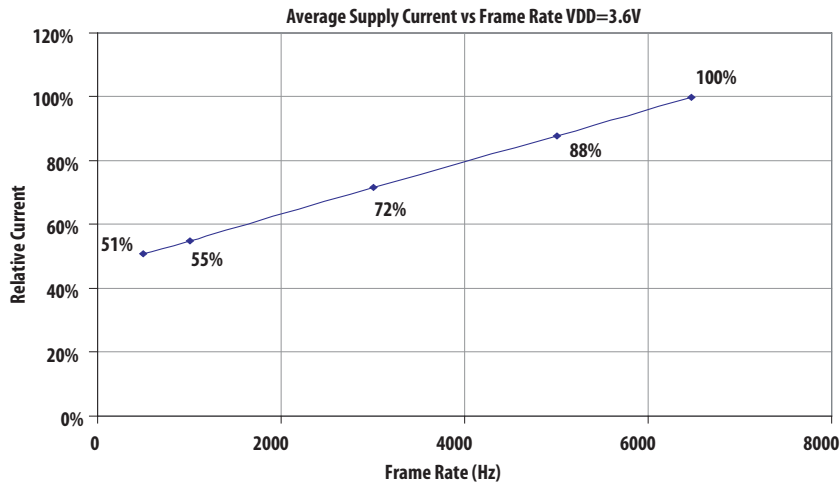


Figure 14. Idd vs. Frame Rate

### Synchronous Serial Port

The synchronous serial port is used to set and read parameters in the ADNS-3080, and to read out the motion information. The serial port is also used to load SROM data into the ADNS-3080.

The port is a four-wire, serial port. The host micro-controller always initiates communication; the ADNS-3080 never initiates data transfers. The serial port cannot be activated while the chip is in power down mode (NPD low) or reset (RESET high). SCLK, MOSI, and NCS may be driven directly by a 3.3V output from a micro-controller, or they may be placed in an open drain configuration by enabling on-chip pull-up current sources. The open drain drive allows the use of a 5V micro-controller without any level shifting components. The port pins may be shared with other SPI slave devices. When the NCS pin is high, the inputs are ignored and the output is tri-stated.

The lines which comprise the SPI port are:

SCLK: Clock input. It is always generated by the master (the micro-controller).

MOSI: Input data (Master Out/Slave In).

MISO: Output data (Master In/Slave Out).

NCS: Chip select input (active low).

NCS needs to be low to activate the serial port; otherwise, MISO will be high-Z, and MOSI & SCLK will be ignored. NCS can also be used to reset the serial port in case of an error.

### Chip Select Operation

The serial port is activated after NCS goes low. If NCS is raised during a transaction, the entire transaction is aborted and the serial port will be reset. This is true for all transactions including SROM download. After a transaction is aborted, the normal address-to-data or transaction-to-transaction delay is still required before beginning the next transaction. To improve communication reliability, all serial transactions should be framed by NCS. In other words, the port should not remain enabled during periods of non-use because ESD and EFT/B events could be interpreted as serial communication and put the chip into an unknown state. In addition, NCS must be raised after each burst-mode transaction is complete to terminate burst-mode. The port is not available for further use until burst-mode is terminated.

### Write Operation

Write operation, defined as data going from the micro-controller to the ADNS-3080, is always initiated by the micro-controller and consists of two bytes. The first byte contains the address (seven bits) and has a "1" as its MSB to indicate data direction. The second byte contains the data. The ADNS-3080 reads MOSI on rising edges of SCLK.

### Read Operation

A read operation, defined as data going from the ADNS-3080 to the micro-controller, is always initiated by the micro-controller and consists of two bytes. The first byte contains the address, is sent by the micro-controller over MOSI, and has a "0" as its MSB to indicate data direction. The second byte contains the data and is driven by the ADNS-3080 over MISO. The sensor outputs MISO bits on falling edges of SCLK and samples MOSI bits on every rising edge of SCLK.

**NOTE:**

The 250 ns minimum high state of SCLK is also the minimum MISO data hold time of the ADNS-3080. Since the falling edge of SCLK is actually the start of the next read or write command, the ADNS-3080 will hold the state of data on MISO until the falling edge of SCLK.

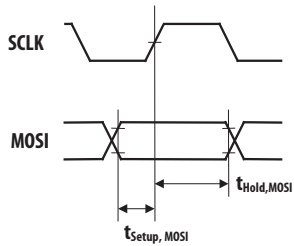


Figure 15. MOSI setup and hold time

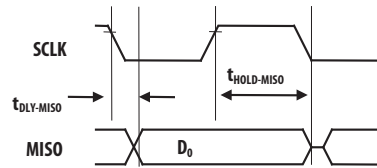


Figure 18. MISO delay and hold time

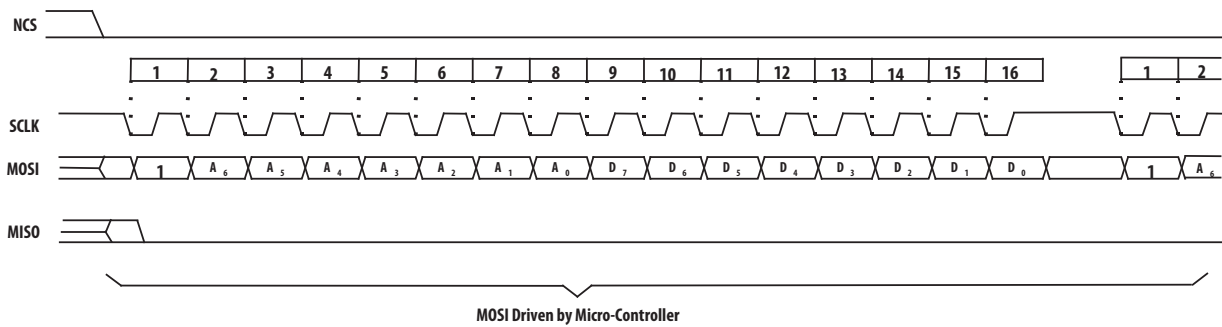


Figure 16. Write Operation

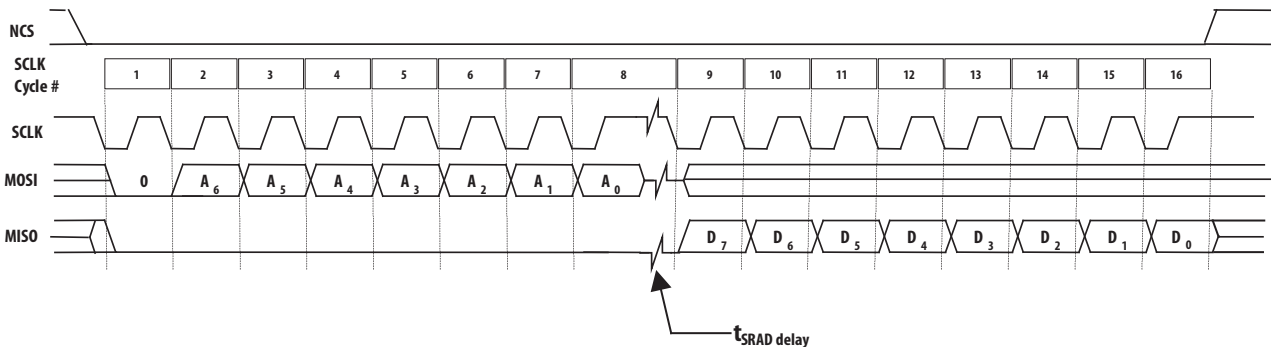


Figure 17. Read operation

All rights strictly reserved any portion in this paper shall not be reproduced, copied or transformed to any other forms without permission.

**PixArt Imaging Inc.**



### Required timing between Read and Write Commands (tsxx)

There are minimum timing requirements between read and write commands on the serial port.

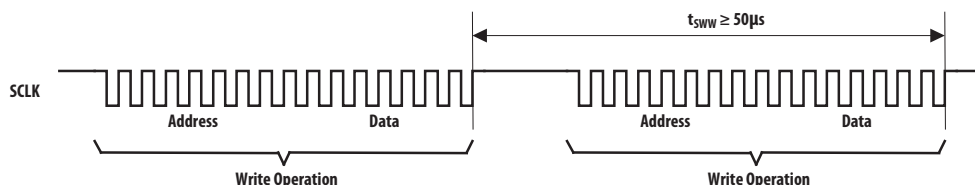


Figure 19. Timing between two write commands

If the rising edge of the SCLK for the last data bit of the second write command occurs before the 50 microsecond required delay, then the first write command may not complete correctly.

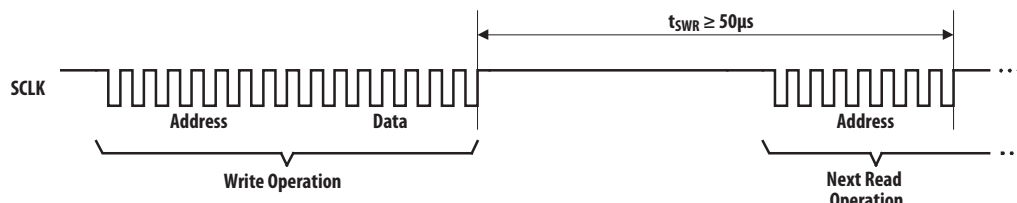


Figure 20. Timing between write and read commands

If the rising edge of SCLK for the last address bit of the read command occurs before the 50 microsecond required delay, the write command may not complete correctly.

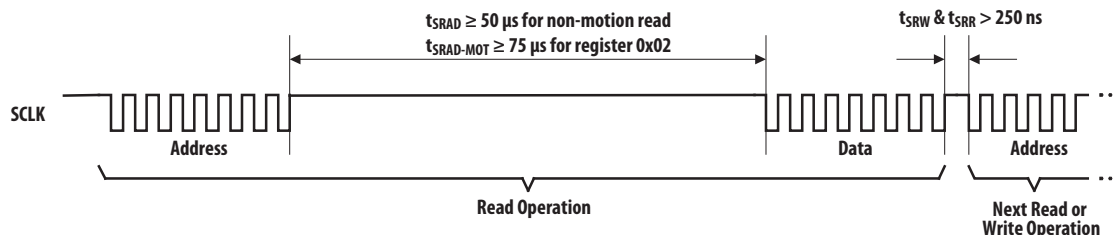


Figure 21. Timing between read and either write or subsequent read commands

The falling edge of SCLK for the first address bit of either the read or write command must be at least 250 ns after the last SCLK rising edge of the last data bit of the previous read operation. In addition, during a read operation SCLK should be delayed after the last address bit to ensure that the ADNS-3080 has time to prepare the requested data.

**Burst Mode Operation**

Burst mode is a special serial port operation mode which may be used to reduce the serial transaction time for three predefined operations: motion read and SROM download and frame capture. The speed improvement is achieved by continuous data clocking to or from multiple registers without the need to specify the register address, and by not requiring the normal delay period between data bytes.

**Motion Read**

This mode is activated by reading the Motion\_Burst register. The ADNS-3080 will respond with the contents of the Motion, Delta\_X, Delta\_Y, SQUAL, Shutter\_Upper, Shutter\_Lower and Maximum\_Pixel registers in that order. After sending the register address, the micro-controller must wait  $t_{SRAD-MOT}$  and then begin reading data. All 56 data bits can be read with no delay between bytes by driving SCLK at the normal rate. The data are latched into the output buffer after the last address bit is received. After the burst transmission is complete, the micro-controller must raise the NCS line for at least  $t_{BEXIT}$  to terminate burst mode. The serial port is not available for use until it is reset with NCS, even for a second burst transmission.

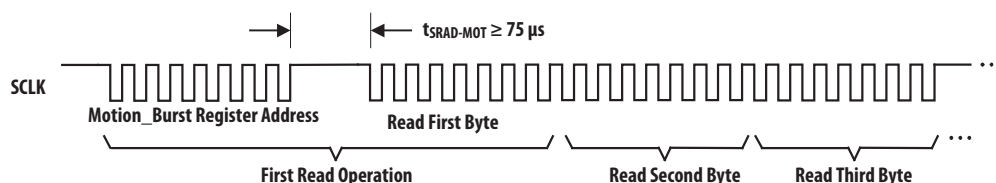


Figure 22. Motion burst timing

### SROM Download

This function is used to load the PixArt Imaging supplied firmware file contents into the ADNS-3080. The firmware file is an ASCII text file with each 2-character byte (hexadecimal representation) on a single line.

This mode is activated by the following steps:

1. Perform hardware reset by toggling the RESET pin
2. Write 0x44 to register 0x20
3. Write 0x07 to register 0x23
4. Write 0x88 to register 0x24
5. Wait at least 1 frame period
6. Write 0x18 to register 0x14 (SROM\_Enable register)
7. Begin burst mode write of data file to register 0x60 (SROM\_Load register)

After the first data byte is complete, the SROM or micro-controller must write subsequent bytes by presenting the data on the MOSI line and driving SCLK at the normal rate. A delay of at least  $t_{LOAD}$  must exist between data

bytes as shown. After the download is complete, the micro-controller must raise the NCS line for at least  $t_{BEXIT}$  to terminate burst mode. The serial port is not available for use until it is reset with NCS, even for a second burst transmission.

PixArt Imaging recommends reading the SROM\_ID register to verify that the download was successful. In addition, a self-test may be executed, which performs a CRC on the SROM contents and reports the results in a register. The test is initiated by writing a particular value to the SROM\_Enable register; the result is placed in the Data\_Out register. See those register descriptions for more details.

PixArt Imaging provides the data file for download; the file size is 1986 data bytes. The chip will ignore any additional bytes written to the SROM\_Load register after the SROM file.

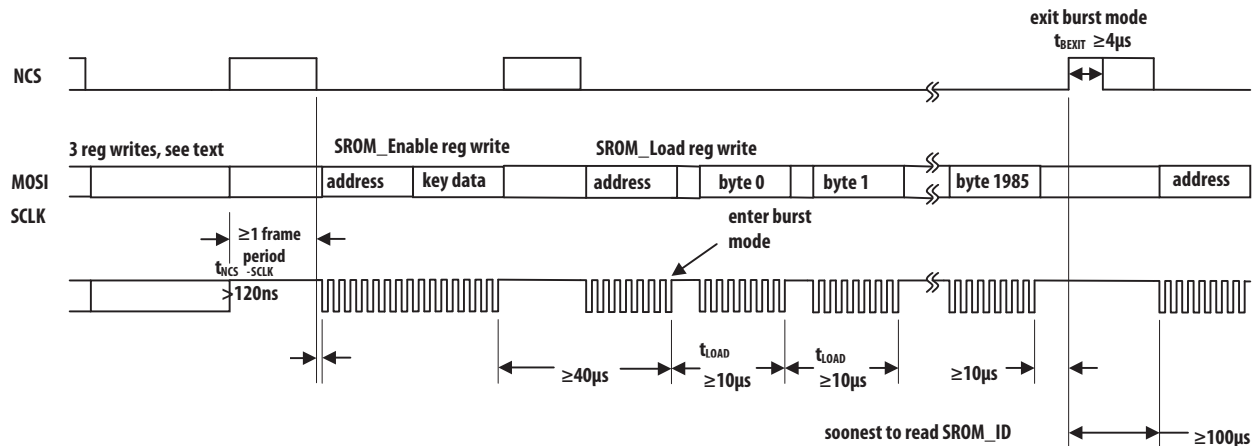


Figure 23. SROM download burst mode

### Frame Capture

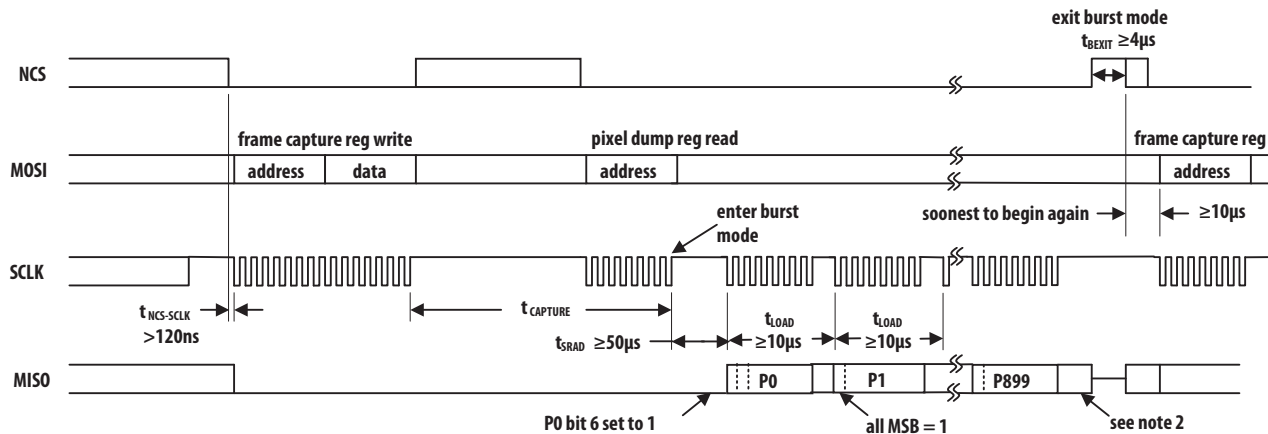
This is a fast way to download a full array of pixel values from a single frame. This mode disables navigation and overwrites any downloaded firmware. A hardware reset is required to restore navigation, and the firmware must be reloaded afterwards if required.

To trigger the capture, write to the Frame\_Capture register. The next available complete 1 2/3 frames (1536 values) will be stored to memory. The data are retrieved by reading the Pixel\_Burst register once using the normal read method, after which the remaining bytes are clocked out by driving SCLK at the normal rate. The byte time must be at least  $t_{LOAD}$ . If the Pixel\_Burst register is read before the data is ready, it will return all zeros.

To read a single frame, read a total of 900 bytes. The next 636 bytes will be approximately 2/3 of the next frame. The first pixel of the first frame (1st read) has bit 6 set to 1 as a start-of-frame marker. The first pixel of the second partial frame (901st read) will also have bit 6 set to 1. All other bytes have bit 6 set to zero. The MSB of all bytes is set to 1. If the Pixel\_Burst register is read past the end of the data (1537 reads and on), the data returned will be zeros.

After the download is complete, the micro-controller must raise the NCS line for at least  $t_{BEXIT}$  to terminate burst mode. The read may be aborted at any time by raising NCS.

Alternatively, the frame data can also be read one byte at a time from the Frame\_Capture register. See the register description for more information.



**Notes:**

1. MSB = 1 for all bytes. Bit 6 = 0 for all bytes except pixel 0 of both frames which has bit 6 = 1 for use as a frame marker.
2. Reading beyond pixel 899 will return the first pixel of the second partial frame.
3.  $t_{CAPTURE} \geq 10\mu s + 3$  frame periods.
4. This figure illustrates reading a single complete frame of 900 pixels. An additional 636 pixels from the next frame are available.

Figure 24. Frame capture burst mode timing

The pixel output order as related to the surface is shown below.

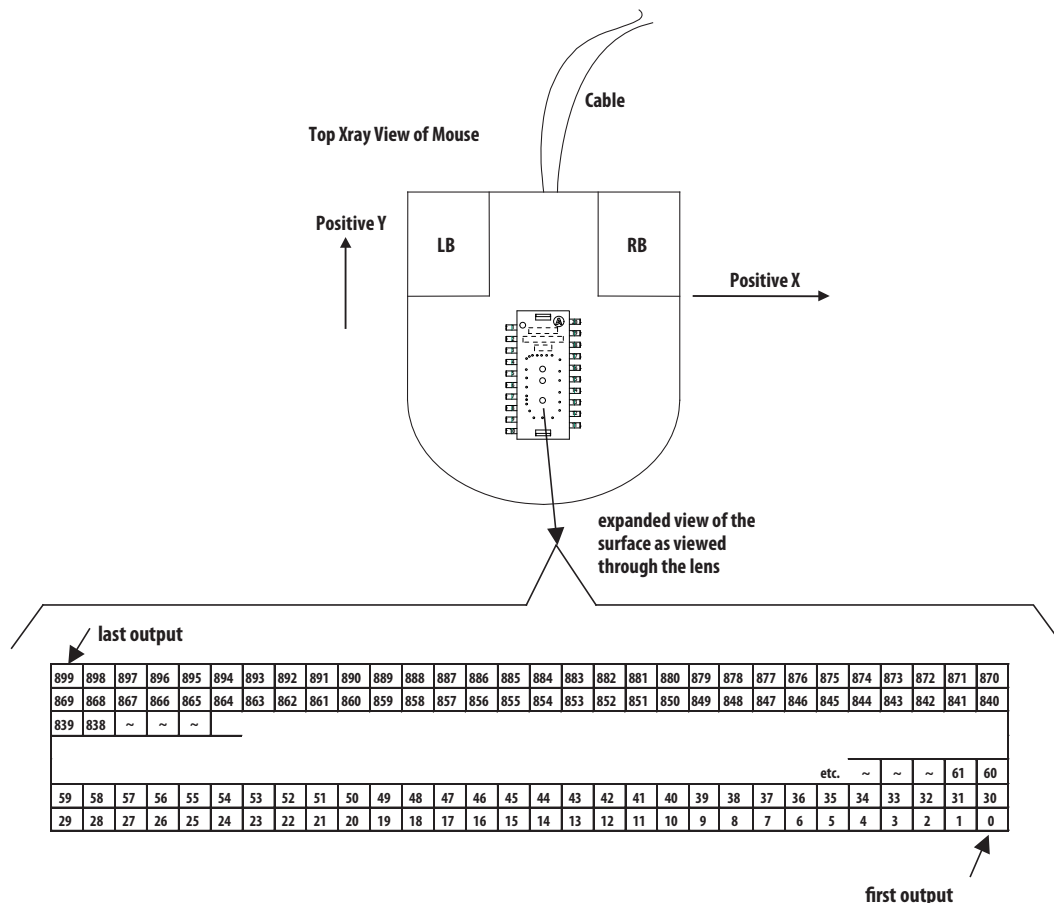


Figure 25. Pixel address map (surface referenced)

### Error detection and recovery

1. The ADNS-3080 and the micro-controller might get out of synchronization due to ESD events, power supply droops or micro-controller firmware flaws. In such a case, the micro-controller should pulse NCS high for at least 1 ms. The ADNS-3080 will reset the serial port (but not the control registers) and will be prepared for the beginning of a new transmission after the normal transaction delay.
2. Invalid addresses: Writing to an invalid address will have no effect. Reading from an invalid address will return all zeros.
3. Termination of a transmission by the micro-controller may sometimes be required (for example, due to a USB suspend interrupt during a read operation). To accomplish this the micro-controller should raise NCS. The ADNS-3080 will not write to any register and will reset the serial port (but not the control registers) and be prepared for the beginning of future transmissions after NCS goes low. The normal delays between reads or writes ( $t_{SWW}$ ,  $t_{SWr}$ ,  $t_{SRAD}$ ,  $t_{SRAD-mot}$ ) are still required after aborted transmissions.
4. The micro-controller can verify success of write operations by issuing a read command to the same address and comparing written data to read data.
5. The micro-controller can verify the synchronization of the serial port by periodically reading the product ID and inverse product ID registers.
6. The microcontroller can read the SROM\_ID register to verify that the sensor is running downloaded SROM code. ESD or similar noise events may cause the sensor to revert to native ROM execution. If this should happen, pulse RESET and reload the SROM instructions.

All rights strictly reserved any portion in this paper shall not be reproduced, copied or transformed to any other forms without permission.

**Notes on Power-up and the serial port**

**Reset Circuit**

The ADNS-3080 does not perform an internal power up self-reset. The reset pin must be raised and lowered to reset the chip. This should be done every time power is applied. During power-up there will be a period of time after the power supply is high but before any clocks are available. The table below shows the state of the various pins during power-up and reset when the RESET pin is driven high by a micro-controller.

**Power Down Circuit**

The following table lists the pin states during power down.

The chip is put into the power down (PD) mode by lowering the NPD input. When in PD mode, the oscillator is stopped but all register contents are retained. To achieve the lowest current state, all inputs must be held externally within 200mV of a rail, either ground or V<sub>DD3</sub>. The chip outputs are driven low or hi-Z during PD to prevent current consumption by an external load.

**LED Drive Mode**

The LED has 2 modes of operation: DC and Shutter. In DC mode it is on at all times the chip is powered except when in the power down mode via the NPD pin. In shutter mode the LED is on only during the portion of the frame that light is required. The LED\_MODE bit in the Configuration\_bits register sets the LED mode.

State of Signal Pins After VDD is Valid			
Pin	Before Reset	During Reset	After Reset
SPI pullups	Undefined	Off	On (default)
NCS	Hi-Z control functional	Hi-Z control functional	Functional
MISO	Driven or hi-Z (per NCS)	Driven or hi-Z (per NCS)	Low or hi-Z (per NCS)
SCLK	Undefined	Ignored	Functional
MOSI	Undefined	Ignored	Functional
LED_CTRL	Undefined	Low	High
RESET	Functional	High (externally driven)	Functional
NPD	Undefined	Ignored	Functional

State of Signal Pins During Power Down		
Pin	NPD low	After wake from PD
SPI pullups	off	pre-PD state
NCS	hi-Z control functional	functional
MISO	low or hi-Z (per NCS)	pre-PD state or hi-Z
SCLK	ignored	functional
MOSI	ignored	functional
LED_CTRL	low	high
RESET	functional	functional
NPD	low (driven externally)	functional
REFC	V <sub>DD3</sub>	REFC
OSC_IN	low	OSC_IN
OSC_OUT	high	OSC_OUT

All rights strictly reserved any portion in this paper shall not be reproduced, copied or transformed to any other forms without permission.

## Registers

The ADNS-3080 registers are accessible via the serial port. The registers are used to read motion data and status as well as to set the device configuration.

Address	Register	Read/Write	SROM Default Value
0x00	Product_ID	R	0x17
0x01	Revision_ID	R	0xNN
0x02	Motion	R	0x00
0x03	Delta_X	R	0x00
0x04	Delta_Y	R	0x00
0x05	SQUAL	R	0x00
0x06	Pixel_Sum	R	0x00
0x07	Maximum_Pixel	R	0x00
0x08	Reserved		
0x09	Reserved		
0x0a	Configuration_bits	R/W	0x09
0x0b	Extended_Config	R/W	0x00
0x0c	Data_Out_Lower	R	Any
0x0d	Data_Out_Upper	R	Any
0x0e	Shutter_Lower	R	0x85
0x0f	Shutter_Upper	R	0x00
0x10	Frame_Period_Lower	R	Any
0x11	Frame_Period_Upper	R	Any
0x12	Motion_Clear	W	Any
0x13	Frame_Capture	R/W	0x00
0x14	SROM_Enable	W	0x00
0x15	Reserved		
0x16	Reserved		
0x17	Reserved		
0x18	Reserved		
0x19	Frame_Period_Max_Bound Lower	R/W	0xE0
0x1a	Frame_Period_Max_Bound_Upper	R/W	0x2E
0x1b	Frame_Period_Min_Bound_Lower	R/W	0x7E
0x1c	Frame_Period_Min_Bound_Upper	R/W	0x0E
0x1d	Shutter_Max_Bound_Lower	R/W	0x00
0x1e	Shutter_Max_Bound_Upper	R/W	0x20
0x1f	SROM_ID	R	0x00
0x20-0x3c	Reserved		
0x3d	Observation	R/W	0x00
0x3e	Reserved		
0x3f	Inverse Product ID	R	0xF8
0x40	Pixel_Burst	R	0x00
0x50	Motion_Burst	R	0x00
0x60	SROM_Load	W	Any

All rights strictly reserved any portion in this paper shall not be reproduced, copied or transformed to any other forms without permission.

**Product\_ID** **Address: 0x00**

Access: Read Reset Value: 0x17

Bit	7	6	5	4	3	2	1	0
Field	PID <sub>7</sub>	PID <sub>6</sub>	PID <sub>5</sub>	PID <sub>4</sub>	PID <sub>3</sub>	PID <sub>2</sub>	PID <sub>1</sub>	PID <sub>0</sub>

Data Type: 8-Bit unsigned integer

USAGE: This register contains a unique identification assigned to the ADNS-3080. The value in this register does not change; it can be used to verify that the serial communications link is functional.

**Revision\_ID** **Address: 0x01**

Access: Read Reset Value: 0xNN

Bit	7	6	5	4	3	2	1	0
Field	RID <sub>7</sub>	RID <sub>6</sub>	RID <sub>5</sub>	RID <sub>4</sub>	RID <sub>3</sub>	RID <sub>2</sub>	RID <sub>1</sub>	RID <sub>0</sub>

Data Type: 8-Bit unsigned integer.

USAGE: This register contains the IC revision. It is subject to change when new IC versions are released.

NOTE: The downloaded SROM firmware revision is a separate value and is available in the SROM\_ID register.

**Motion** **Address: 0x02**

Access: Read Reset Value: 0x00

Bit	7	6	5	4	3	2	1	0
Field	MOT	Reserved	Reserved	OVF	Reserved	Reserved	Reserved	RES

Data Type: Bit field.

USAGE: Register 0x02 allows the user to determine if motion has occurred since the last time it was read. If so, then the user should read registers 0x03 and 0x04 to get the accumulated motion. It also tells if the motion buffers have overflowed, and the current resolution setting.

Field Name	Description
MOT	Motion since last report or PD <b>0 = No motion</b> 1 = Motion occurred, data ready for reading in Delta_X and Delta_Y registers
Reserved	Reserved
Reserved	Reserved
OVF	Motion overflow, Delta_Y and/or Delta_X buffer has overflowed since last report <b>0 = no overflow</b> 1 = Overflow has occurred
Reserved	Reserved
Reserved	Reserved
Reserved	Reserved
RES	Resolution in counts per inch <b>0 = 400</b> 1 = 1600



Notes for Motion:

1. Reading this register freezes the Delta\_X and Delta\_Y register values. Read this register before reading the Delta\_X and Delta\_Y registers. If Delta\_X and Delta\_Y are not read before the motion register is read a second time, the data in Delta\_X and Delta\_Y will be lost.
2. PixArt Imaging RECOMMENDS that registers 0x02, 0x03 and 0x04 be read sequentially. See Motion burst mode also.
3. Internal buffers can accumulate more than eight bits of motion for X or Y. If either one of the internal buffers overflows, then absolute path data is lost and the OVF bit is set. This bit is cleared once some motion has been read from the Delta\_X and Delta\_Y registers, and if the buffers are not at full scale. Since more data is present in the buffers, the cycle of reading the Motion, Delta\_X and Delta\_Y registers should be repeated until the motion bit (MOT) is cleared. Until MOT is cleared, either the Delta\_X or Delta\_Y registers will read either positive or negative full scale. If the motion register has not been read for long time, at 400 cpi it may take up to 16 read cycles to clear the buffers, at 1600 cpi, up to 64 cycles. Alternatively, writing to the Motion\_Clear register (register 0x12) will clear all stored motion at once.

**Delta\_X**

**Address: 0x03**

Access: Read

Reset Value: 0x00

Bit	7	6	5	4	3	2	1	0
Field	X <sub>7</sub>	X <sub>6</sub>	X <sub>5</sub>	X <sub>4</sub>	X <sub>3</sub>	X <sub>2</sub>	X <sub>1</sub>	X <sub>0</sub>

Data Type: Eight bit 2's complement number.

USAGE: X movement is counts since last report. Absolute value is determined by resolution. Reading clears the register.



**Delta\_Y**

**Address: 0x04**

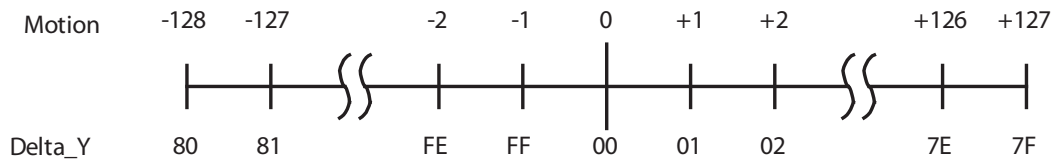
Access: Read

Reset Value: 0x00

Bit	7	6	5	4	3	2	1	0
Field	Y <sub>7</sub>	Y <sub>6</sub>	Y <sub>5</sub>	Y <sub>4</sub>	Y <sub>3</sub>	Y <sub>2</sub>	Y <sub>1</sub>	Y <sub>0</sub>

Data Type: Eight bit 2's complement number.

USAGE: Y movement is counts since last report. Absolute value is determined by resolution. Reading clears the register.



**SQUAL**

**Address: 0x05**

Access: Read

Reset Value: 0x00

Bit	7	6	5	4	3	2	1	0
Field	SQ <sub>7</sub>	SQ <sub>6</sub>	SQ <sub>5</sub>	SQ <sub>4</sub>	SQ <sub>3</sub>	SQ <sub>2</sub>	SQ <sub>1</sub>	SQ <sub>0</sub>

Data Type: Upper 8 bits of a 10-bit unsigned integer.

USAGE: SQUAL (Surface Quality) is a measure of ¼ of the number of valid\* features visible by the sensor in the current frame. Use the following formula to find the total number of valid features.

Number of features = SQUAL register value \*4

The maximum SQUAL register value is 169. Since small changes in the current frame can result in changes in SQUAL, variations in SQUAL when looking at a surface are expected. The graph below shows 250 sequentially acquired SQUAL values, while a sensor was moved slowly over white paper. SQUAL is nearly equal to zero, if there is no surface below the sensor. SQUAL is typically maximized when the navigation surface is at the optimum distance from the imaging lens (the nominal Z-height).

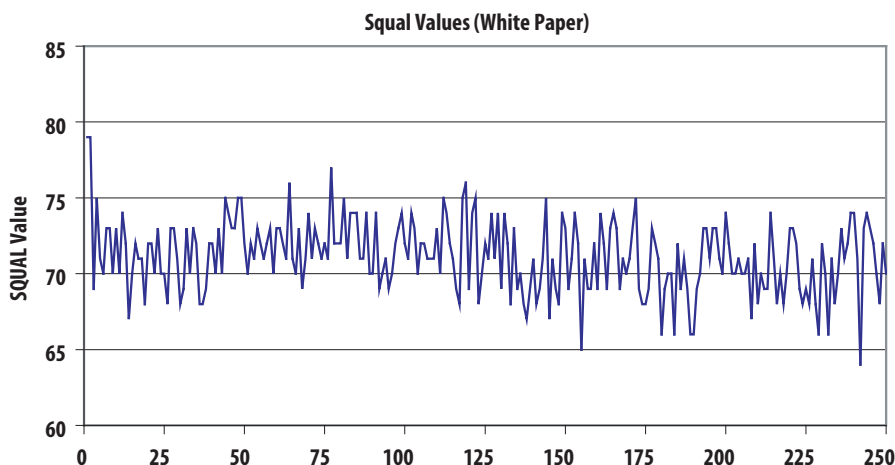


Figure 26. Squal values (white paper)

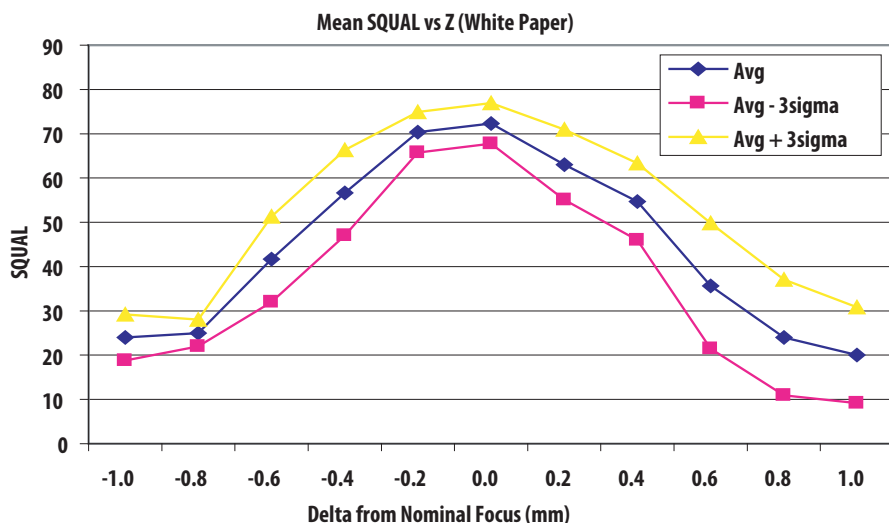


Figure 27. Mean squal vs. Z (white paper)

**Pixel\_Sum**

**Address: 0x06**

Access: Read

Reset Value: 0x00

Bit	7	6	5	4	3	2	1	0
Field	AP <sub>7</sub>	AP <sub>6</sub>	AP <sub>5</sub>	AP <sub>4</sub>	AP <sub>3</sub>	AP <sub>2</sub>	AP <sub>1</sub>	AP <sub>0</sub>

Data Type: High 8 bits of an unsigned 16-bit integer.

USAGE: This register is used to find the average pixel value. It reports the upper byte of a 16-bit counter which sums all 900 pixels in the current frame. It may be described as the full sum divided by 256. To find the average pixel value, use the following formula:

$$\text{Average Pixel} = \text{Register Value} * 256 / 900 = \text{Register Value} / 3.51$$

The maximum register value is 221 (63 \* 900/256 truncated to an integer). The minimum is 0. The pixel sum value can change on every frame.

**Maximum\_Pixel**

**Address: 0x07**

Access: Read

Reset Value: 0x00

Bit	7	6	5	4	3	2	1	0
Field	0	0	MP <sub>5</sub>	MP <sub>4</sub>	MP <sub>3</sub>	MP <sub>2</sub>	MP <sub>1</sub>	MP <sub>0</sub>

Data Type: Six bit number.

USAGE: Maximum Pixel value in current frame. Minimum value = 0, maximum value = 63. The maximum pixel value can vary with every frame.

**Reserved**

**Address: 0x08**

**Reserved**

**Address: 0x09**

All rights strictly reserved any portion in this paper shall not be reproduced, copied or transformed to any other forms without permission.

**PixArt Imaging Inc.**

**E-mail:** [fae\\_service@pixart.com.tw](mailto:fae_service@pixart.com.tw)

**Configuration\_bits**

**Address: 0x0a**

Access: Read/Write

Reset Value: 0x09

Bit	7	6	5	4	3	2	1	0
Field	0	LED_MODE	Sys Test	RES	Reserved	Reserved	Reserved	Reserved

Data Type: Bit field

USAGE: Register 0x0a allows the user to change the configuration of the sensor. Shown below are the bits, their default values, and optional values.

Field Name	Description
BIT 7	Must always be zero
LED_MODE	LED Shutter Mode <b>0 = Shutter mode off (LED always on)</b> 1 = Shutter mode on (LED only on when illumination is required)
Sys Test	System Tests <b>0 = no tests</b> 1 = perform all system tests, output 16 bit CRC via Data_Out_Upper and Data_Out_Lower registers.  NOTE: The test will fail if SROM is loaded. Perform a hardware reset before executing this test. Reload SROM after the test is completed.  NOTE: Since part of the system test is a RAM test, the RAM and SRAM will be overwritten with the default values when the test is done. If any configuration changes from the default are needed for operation, make the changes AFTER the system test is run. The system test takes 200ms (@24MHz) to complete.  NOTE: Do not access the Synchronous Serial Port during system test.
RES	Resolution in counts per inch <b>0 = 400</b> 1 = 1600
Reserved	Reserved
Reserved	Reserved
Reserved	Reserved
Reserved	Reserved

**Extended\_Config**

**Address: 0x0b**

Access: Read/Write

Reset Value: 0x00

Bit	7	6	5	4	3	2	1	0
Field	Busy	Reserved	Reserved	Reserved	Reserved	Serial_NPU	NAGC	Fixed_FR

Data Type: Bit field

USAGE: Register 0x0b allows the user to change the configuration of the sensor. Shown below are the bits, their default values, and optional values.

Field Name	Description
Busy	Read-only bit. Indicates if it is safe to write to one or more of the following registers: Frame_Period_Max_Bound_Upper and Lower Frame_Period_Min_Bound_Upper and Lower Shutter_Max_Bound_Upper and Lower After writing to the Frame_Period_Max_Bound_Upper register, at least two frames must pass before writing again to any of the above registers. This bit may be used in lieu of a timer since the actual frame rate may not be known when running in auto mode. <b>0 = writing to the registers is allowed</b> 1 = do not write to the registers yet
Reserved	Reserved
Reserved	Reserved
Reserved	Reserved
Reserved	Reserved
Serial_NPU	Disable serial port pull-up current sources <b>0 = no, current sources are on</b> 1 = yes, current sources are off
NAGC	Disable AGC. Shutter will be set to the value in the Shutter_Max_Bound registers. <b>0 = no, AGC is active</b> 1 = yes, AGC is disabled
Fixed_FR	Fixed frame rate (disable automatic frame rate control). When this bit is set, the frame rate will be determined by the value in the Frame_Period_Max_Bound registers. <b>0 = automatic frame rate</b> 1 = fixed frame rate

**Data\_Out\_Lower**

**Address: 0x0c**

Access: Read

Reset Value: Undefined

Bit	7	6	5	4	3	2	1	0
Field	DO <sub>7</sub>	DO <sub>6</sub>	DO <sub>5</sub>	DO <sub>4</sub>	DO <sub>3</sub>	DO <sub>2</sub>	DO <sub>1</sub>	DO <sub>0</sub>

**Data\_Out\_Upper**

**Address: 0x0d**

Access: Read

Reset Value: Undefined

Bit	7	6	5	4	3	2	1	0
Field	DO <sub>15</sub>	DO <sub>14</sub>	DO <sub>13</sub>	DO <sub>12</sub>	DO <sub>11</sub>	DO <sub>10</sub>	DO <sub>9</sub>	DO <sub>8</sub>

Data Type: Sixteen bit word.

USAGE: Data in these registers come from the system self test or the SROM CRC test. The data can be read out 0x0d, or 0x0d first, then 0x0c.

	<b>Data_Out_Upper</b>	<b>Data_Out_Lower</b>
<b>System test results:</b>	0x1B	0xBF
<b>SROM CRC Test Result:</b>	0xBE	0xEF

System Test: This test is initiated via the Configuration\_Bits register. It performs several tests to verify that the hardware is functioning correctly. Perform a hardware reset just prior to running the test. SROM contents and register settings will be lost.

SROM CRC Test: Performs a CRC on the SROM contents. The test is initiated by writing a particular value to the SROM\_Enable register.

**Shutter\_Lower**

**Address: 0x0e**

Access: Read

Reset Value: 0x85

Bit	7	6	5	4	3	2	1	0
Field	S <sub>7</sub>	S <sub>6</sub>	S <sub>5</sub>	S <sub>4</sub>	S <sub>3</sub>	S <sub>2</sub>	S <sub>1</sub>	S <sub>0</sub>

**Shutter\_Lower**

**Address: 0x0e**

Access: Read

Reset Value: 0x85

Bit	7	6	5	4	3	2	1	0
Field	S <sub>15</sub>	S <sub>14</sub>	S <sub>13</sub>	S <sub>12</sub>	S <sub>11</sub>	S <sub>10</sub>	S <sub>9</sub>	S <sub>8</sub>

**Shutter\_Upper**

**Address: 0x0f**

Access: Read

Reset Value: 0x00

Data Type: Sixteen bit unsigned integer.

USAGE: Units are clock cycles. Read Shutter\_Upper first, then Shutter\_Lower. They should be read consecutively. The shutter is adjusted to keep the average and maximum pixel values within normal operating ranges. The shutter value is checked and automatically adjusted to a new value if needed on every frame when operating in default mode. When the shutter adjusts, it changes by  $\pm 1/16$  of the current value. The shutter value can be set manually by setting the AGC mode to Disable using the Extended\_Config register and writing to the Shutter\_Maximum\_Bound registers. Because the automatic frame rate feature is related to shutter value. It may also be appropriate to enable the Fixed Frame Rate mode using the Extended\_Config register.

Shown below is a graph of 250 sequentially acquired shutter values, while the sensor was moved slowly over white paper.

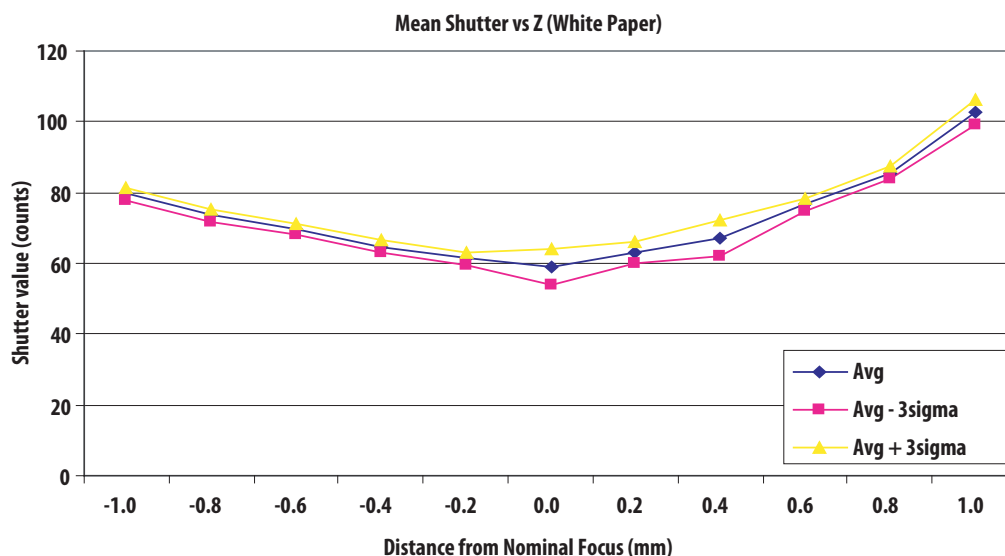


Figure 28. Mean shutter vs. Z (white paper)

The maximum value of the shutter is dependent upon the setting in the Shutter\_Max\_Bound\_Upper and Shutter\_Max\_Bound\_Lower registers.

= h \ U o

**Frame\_Period\_Lower**

**Address: 0x10**

Access: Read

Reset Value: Undefined

Bit	7	6	5	4	3	2	1	0
Field	FP <sub>7</sub>	FP <sub>6</sub>	FP <sub>5</sub>	FP <sub>4</sub>	FP <sub>3</sub>	FP <sub>2</sub>	FP <sub>1</sub>	FP <sub>0</sub>

**Frame\_Period\_Upper**

**Address: 0x11**

Access: Read

Reset Value: Undefined

Bit	7	6	5	4	3	2	1	0
Field	FP <sub>15</sub>	FP <sub>14</sub>	FP <sub>13</sub>	FP <sub>12</sub>	FP <sub>11</sub>	FP <sub>10</sub>	FP <sub>9</sub>	FP <sub>8</sub>

Data Type: Sixteen bit unsigned integer.

USAGE: Read these registers to determine the current frame period and to calculate the frame rate. Units are clock cycles. The formula is

$$\text{Frame Rate} = \text{Clock Frequency} / \text{Register value}$$

To read from the registers, read Frame\_Period\_Upper first followed by Frame\_Period Lower.

To set the frame rate manually, disable automatic frame rate mode via the Extended\_Config register and write the desired count value to the Frame\_Period\_Maximum\_Bound registers.

The following table lists some Frame\_Period values for popular frame rates with a 24MHz clock.

Frames/second	Counts		Frame_Period	
	Decimal	Hex	Upper	Lower
6469	3,710	0E7E	0E	7E
5000	4,800	12C0	12	C0
3000	8,000	1F40	1F	40
2000	12,000	2EE0	2E	E0

**Motion\_Clear**

**Address: 0x12**

Access: Write

Reset Value: Undefined

Data Type: Any.

USAGE: Writing any value to this register will cause the Delta\_X, Delta\_Y, and internal motion registers to be cleared. Use this as a fast way to reset the motion counters to zero without resetting the entire chip.



= h \ U o

**Frame\_Capture**

**Address: 0x13**

Access: Read/Write

Reset Value: 0x00

Bit	7	6	5	4	3	2	1	0
Field	FC <sub>7</sub>	FC <sub>6</sub>	FC <sub>5</sub>	FC <sub>4</sub>	FC <sub>3</sub>	FC <sub>2</sub>	FC <sub>1</sub>	FC <sub>0</sub>

Data Type: Bit field

USAGE: Writing 0x83 to this register will cause the next available complete 1 2/3 frames of pixel values to be stored to SROM RAM. Writing to this register is required before using the Frame Capture burst mode to read the pixel values (see the Synchronous Serial Port section for more details). Writing to this register will stop navigation and cause any firmware loaded in the SROM to be overwritten. A hardware reset is required to restore navigation, and the firmware must be reloaded using the SROM Download burst method.

This register can also be used to read the frame capture data. The same data available by reading the Pixel\_Burst register using burst mode is available by reading this register in the normal fashion. The data pointer is automatically incremented after each read so all 1536 pixel values (1 and 2/3 frames) may be obtained by reading this register 1536 times in a row. Both methods share the same pointer such that reading pixel values from this register will increment the pointer causing subsequent reads from the Pixel\_Burst register (without initiating a new frame dump) to start at the current pointer location. This register will return all zeros if read before the frame capture data is ready. See the Frame Capture description in the Synchronous Serial Port section for more information.

This register will not retain the last value written. Reads will return zero or frame capture data.

**SROM\_Enable**

**Address: 0x14**

Access: Write

Reset Value: 0x00

Bit	7	6	5	4	3	2	1	0
Field	SE <sub>7</sub>	SE <sub>6</sub>	SE <sub>5</sub>	SE <sub>4</sub>	SE <sub>3</sub>	SE <sub>2</sub>	SE <sub>1</sub>	SE <sub>0</sub>

Data Type: 8-bit number.

USAGE: Write to this register to start either SROM download or SROM CRC test.

Write 0x18 to this register before downloading SROM firmware to the SROM\_Load register. The download will not be successful unless this register contains the correct value.

Write 0xA1 to start the SROM CRC test. Wait 7ms plus one frame period, then read result from the Data\_Out\_Lower and Data\_Out\_Upper registers. Navigation is halted and the SPI port should not be used during this test.

**Reserved**

**Address: 0x15 – 0x18**

**Frame\_Period\_Max\_Bound\_Lower**

**Address: 0x19**

Access: Read/Write

Reset Value: 0xE0

Bit	7	6	5	4	3	2	1	0
Field	FBm <sub>7</sub>	FBm <sub>6</sub>	FBm <sub>5</sub>	FBm <sub>4</sub>	FBm <sub>3</sub>	FBm <sub>2</sub>	FBm <sub>1</sub>	FBm <sub>0</sub>

**Frame\_Period\_Max\_Bound\_Upper**

**Address: 0x1A**

Access: Read/Write

Reset Value: 0x2E

Bit	7	6	5	4	3	2	1	0
Field	FBm <sub>15</sub>	FBm <sub>14</sub>	FBm <sub>13</sub>	FBm <sub>12</sub>	FBm <sub>11</sub>	FBm <sub>10</sub>	FBm <sub>9</sub>	FBm <sub>8</sub>

Data Type: 16-bit unsigned integer.

USAGE: This value sets the maximum frame period (the MINIMUM frame rate) which may be selected by the automatic frame rate control, or sets the actual frame period when operating in manual mode. Units are clock cycles. The formula is

$$\text{Frame Rate} = \text{Clock Frequency} / \text{Register value}$$

To read from the registers, read Upper first followed by Lower. To write to the registers, write Lower first, followed by Upper. To set the frame rate manually, disable automatic frame rate mode via the **Extended\_Config** register and write the desired count value to these registers.

Writing to the Frame\_Period\_Max\_Bound\_Upper and Lower registers also activates any new values in the following registers:

- Frame\_Period\_Max\_Bound\_Upper and Lower
- Frame\_Period\_Min\_Bound\_Upper and Lower
- Shutter\_Max\_Bound\_Upper and Lower

Any data written to these registers will be saved but will not take effect until the write to the Frame\_Period\_Max\_Bound\_Upper and Lower is complete. After writing to this register, two complete frame times are required to implement the new settings. Writing to any of the above registers before the implementation is complete may put the chip into an undefined state requiring a reset. The “Busy” bit in the Extended\_Config register may be used in lieu of a timer to determine when it is safe to write. See the Extended\_Config register for more details.

The following table lists some Frame\_Period values for popular frame rates (clock rate = 24MHz).

In addition, the three bound registers must also follow this rule when set to non-default values:

$$\text{Frame\_Period\_Max\_Bound} \geq \text{Frame\_Period\_Min\_Bound} + \text{Shutter\_Max\_Bound}.$$

Frames/second	Counts		Frame_Period	
	Decimal	Hex	Upper	Lower
6469	3,710	0E7E	0E	7E
5000	4,800	12C0	12	C0
3000	8,000	1F40	1F	40
2000	12,000	2EE0	2E	E0

**Frame\_Period\_Min\_Bound\_Lower**

**Address: 0x1B**

Access: Read/Write

Reset Value: 0xAC (before SROM download)  
0x7E (after SROM download)

Bit	7	6	5	4	3	2	1	0
Field	FBm <sub>7</sub>	FBm <sub>6</sub>	FBm <sub>5</sub>	FBm <sub>4</sub>	FBm <sub>3</sub>	FBm <sub>2</sub>	FBm <sub>1</sub>	FBm <sub>0</sub>

**Frame\_Period\_Min\_Bound\_Upper**

**Address: 0x1C**

Access: Read/Write

Reset Value: 0x0D (before SROM download)  
0x0E (after SROM download)

Bit	7	6	5	4	3	2	1	0
Field	FBm <sub>15</sub>	FBm <sub>14</sub>	FBm <sub>13</sub>	FBm <sub>12</sub>	FBm <sub>11</sub>	FBm <sub>10</sub>	FBm <sub>9</sub>	FBm <sub>8</sub>

Data Type: 16-bit unsigned integer.

USAGE: This value sets the minimum frame period (the MAXIMUM frame rate) that may be selected by the automatic frame rate control. Units are clock cycles. The formula is

Frame Rate = Clock Rate / Register value

To read from the registers, read Upper first followed by Lower. To write to the registers, write Lower first, followed by Upper, then execute a write to the Frame\_Period\_Max\_Bound\_Upper and Lower registers. The minimum allowed write value is 0x7E0E; the maximum is 0xFFFF.

Reading this register will return the most recent value that was written to it. However, the value will take effect only after a write to the Frame\_Period\_Max\_Bound\_Upper and Lower registers. After writing to Frame\_Period\_Max\_Bound\_Upper, wait at least two frame times before writing to Frame\_Period\_Min\_Bound\_Upper or Lower again. The "Busy" bit in the Extended\_Config register may be used in lieu of a timer to determine when it is safe to write. See the Extended\_Config register for more details.

In addition, the three bound registers must also follow this rule when set to non-default values:

Frame\_Period\_Max\_Bound ≥ Frame\_Period\_Min\_Bound + Shutter\_Max\_Bound.

**Shutter\_Max\_Bound\_Lower**

**Address: 0x1D**

Access: Read/Write

Reset Value: 0x8C (before SROM download)  
0x00 (after SROM download)

Bit	7	6	5	4	3	2	1	0
Field	SB <sub>7</sub>	SB <sub>6</sub>	SB <sub>5</sub>	SB <sub>4</sub>	SB <sub>3</sub>	SB <sub>2</sub>	SB <sub>1</sub>	SB <sub>0</sub>

**Shutter\_Max\_Bound\_Upper**

**Address: 0x1E**

Access: Read/Write

Reset Value: 0x20

Bit	7	6	5	4	3	2	1	0
Field	SB <sub>15</sub>	SB <sub>14</sub>	SB <sub>13</sub>	SB <sub>12</sub>	SB <sub>11</sub>	SB <sub>10</sub>	SB <sub>9</sub>	SB <sub>8</sub>

Data Type: 16-bit unsigned integer.

USAGE: This value sets the maximum allowable shutter value when operating in automatic mode. Units are clock cycles. Since the automatic frame rate function is based on shutter value, the value in these registers can limit the range of the frame rate control. To read from the registers, read Upper first followed by Lower. To write to the registers, write Lower first, followed by Upper, then execute a write to the Frame\_Period\_Max\_Bound\_Upper and Lower registers. To set the shutter manually, disable the AGC via the Extended\_Config register and write the desired value to these registers.

Reading this register will return the most recent value that was written to it. However, the value will take effect only after a write to the Frame\_Period\_Max\_Bound\_Upper and Lower registers. After writing to Frame\_Period\_Max\_Bound\_Upper, wait at least two frame times before writing to Shutter\_Max\_Bound\_Upper or Lower again. The "Busy" bit in the Extended\_Config register may be used in lieu of a timer to determine when it is safe to write. See the Extended\_Config register for more details.

In addition, the three bound registers must also follow this rule when set to non-default values:

$$\text{Frame\_Period\_Max\_Bound} \geq \text{Frame\_Period\_Min\_Bound} + \text{Shutter\_Max\_Bound}.$$

**SROM\_ID**

**Address: 0x1F**

Access: Read

Reset Value: 0x00

Bit	7	6	5	4	3	2	1	0
Field	SR <sub>7</sub>	SR <sub>6</sub>	SR <sub>5</sub>	SR <sub>4</sub>	SR <sub>3</sub>	SR <sub>2</sub>	SR <sub>1</sub>	SR <sub>0</sub>

Data Type: 8-bit unsigned integer.

USAGE: Contains the revision of the downloaded Shadow ROM firmware. If the firmware has been successfully downloaded and the chip is operating out of SROM, this register will contain the SROM firmware revision, otherwise it will contain 0x00.

Note: The IC hardware revision is available by reading the Revision\_ID register (register 0x01).

**Reserved**

**Address: 0x20 – 0x3C**

**Observation**

**Address: 0x3D**

Access: Read/Write

Reset Value: 0x00

Bit	7	6	5	4	3	2	1	0
Field	OB <sub>7</sub>	Reserved	OB <sub>5</sub>	Reserved	Reserved	Reserved	OB <sub>1</sub>	OB <sub>0</sub>

Data Type: Bit field

USAGE: Each bit is set by some process or action at regular intervals, or when the event occurs. The user must clear the register by writing 0x00, wait an appropriate delay, and read the register. The active processes will have set their corresponding bit(s). This register may be used as part of a recovery scheme to detect a problem caused by EFT/B or ESD.

Field Name	Description
OB <sub>7</sub>	If set, chip is running SROM code
Reserved	Reserved
OB <sub>5</sub>	NPD pulse was detected
Reserved	Reserved
Reserved	Reserved
Reserved	Reserved
OB <sub>1</sub>	Set once per frame
OB <sub>0</sub>	Set once per frame

**Reserved**

**Address: 0x3E**

**Inverse\_Product\_ID**

**Address: 0x3F**

Access: Read

Reset Value: 0xF8

Bit	7	6	5	4	3	2	1	0
Field	NPID <sub>7</sub>	NPID <sub>6</sub>	NPID <sub>5</sub>	NPID <sub>4</sub>	NPID <sub>3</sub>	NPID <sub>2</sub>	NPID <sub>1</sub>	NPID <sub>0</sub>

Data Type: Inverse 8-Bit unsigned integer

USAGE: This value is the inverse of the Product\_ID, located at the inverse address. It can be used to test the SPI port.

**Pixel\_Burst**

**Address: 0x40**

Access: Read

Reset Value: 0x00

Bit	7	6	5	4	3	2	1	0
Field	PB <sub>7</sub>	PB <sub>6</sub>	PB <sub>5</sub>	PB <sub>4</sub>	PB <sub>3</sub>	PB <sub>2</sub>	PB <sub>1</sub>	PB <sub>0</sub>

Data Type: Eight bit unsigned integer

USAGE: The Pixel\_Burst register is used for high-speed access to all the pixel values from one and 2/3 complete frame. See the Synchronous Serial Port section for use details.

All rights strictly reserved any portion in this paper shall not be reproduced, copied or transformed to any other forms without permission.

**PixArt Imaging Inc.**

E-mail: [fae\\_service@pixart.com.tw](mailto:fae_service@pixart.com.tw)

**Motion\_Burst**

**Address: 0x50**

Access: Read

Reset Value: 0x00

Bit	7	6	5	4	3	2	1	0
Field	MB <sub>7</sub>	MB <sub>6</sub>	MB <sub>5</sub>	MB <sub>4</sub>	MB <sub>3</sub>	MB <sub>2</sub>	MB <sub>1</sub>	MB <sub>0</sub>

Data Type: Various, depending on data

USAGE: The Motion\_Burst register is used for high-speed access to the Motion, Delta\_X, and Delta\_Y, SQUAL, Shutter\_Upper, and Shutter\_Lower and Maximum\_Pixel registers. See the Synchronous Serial Port section for use details.

---

**SROM\_Load**

**Address: 0x 60**

Access: Write

Rset Value: N/A

Data Type: Eight bit unsigned integer

USAGE: The SROM\_Load register is used for high-speed programming of the ADNS-3080 from an external SROM or microcontroller. See the Synchronous Serial Port section for use details.