

5W Small AC Adaptors with Worldwide Input ADP-G2 Series

OUTLINE

Ultra-small inlet type AC adaptor with 5W output capacity. Can meet safety standards for all destinations.



www.DataSheet4U.com

FEATURES

1. Standard Mitsumi case.
2. Input voltage supports worldwide input.
3. Output specifications can be customized.

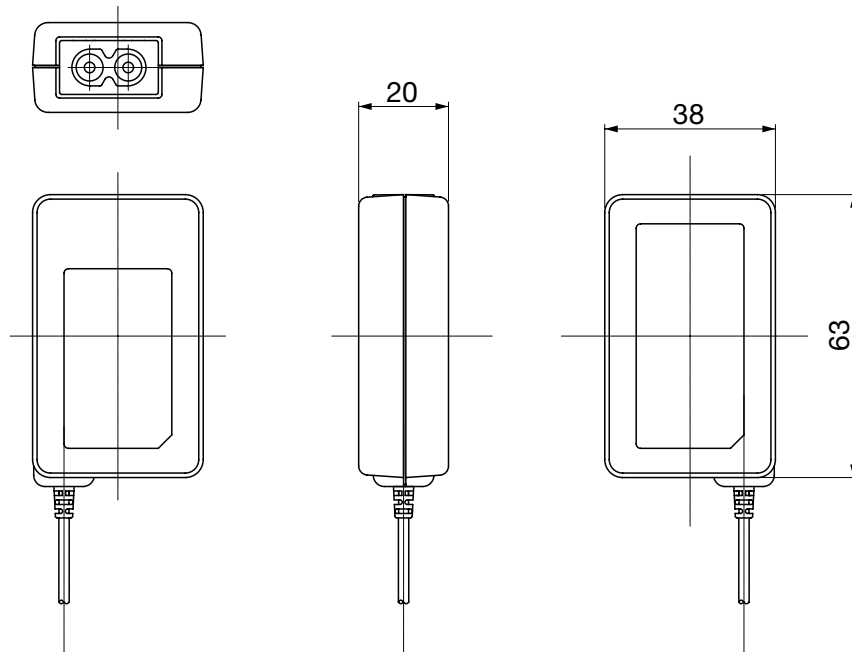
USES

1. Small electronic equipment.
2. Mobile telephones.

SPECIFICATIONS

Item	Specifications
Input voltage	AC 100~240V
Output capacity	5W
Destinations	Whole-world correspondence
Safety standards	Conforms to IEC60950
External dimensions	38 (W) × 63 (L) × 20 (H) mm

DIMENSIONS



www.DataSheet4U.com

Unit: mm