



# 12-Bit, 40MSPS Sampling, +3.3V ANALOG-TO-DIGITAL CONVERTER

## FEATURES

- HIGH SNR: 70dB
- HIGH SFDR: 88dBFS
- LOW POWER: 195mW
- INTERNAL/EXTERNAL REFERENCE OPTION
- SINGLE-ENDED OR FULLY DIFFERENTIAL ANALOG INPUT
- PROGRAMMABLE INPUT RANGE
- LOW DNL: 0.3LSB
- SINGLE +3.3V SUPPLY OPERATION
- TQFP-48 PACKAGE

## APPLICATIONS

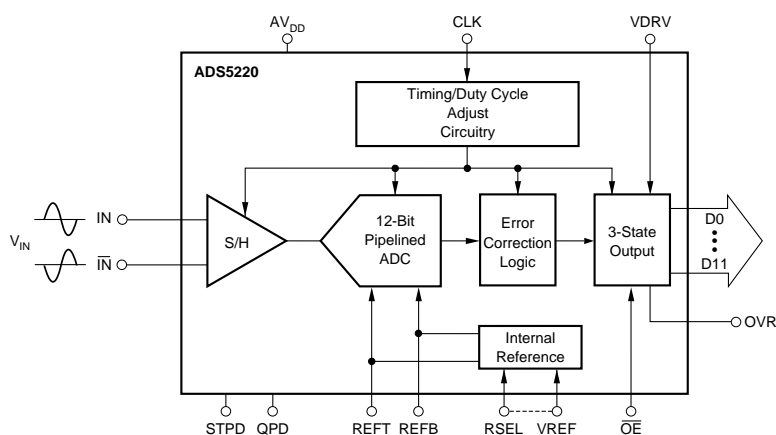
- WIRELESS LOCAL LOOP
- COMMUNICATIONS
- MEDICAL IMAGING
- PORTABLE INSTRUMENTATION

## DESCRIPTION

The ADS5220 is a pipeline, CMOS Analog-to-Digital Converter (ADC) that operates from a single +3.3V power supply. This converter can be operated with a single-ended input or differential input. The ADS5220 includes a 12-bit quantizer, high bandwidth track-and-hold, and an internal reference. It also allows the user to disable the internal reference and utilize external references which provide excellent gain and offset matching when used in multi-channel applications or in applications where full-scale range adjustment is required.

The ADS5220 employs digital error correction techniques to provide excellent differential linearity for demanding imaging applications. Its low distortion and high SNR give the extra margin needed for medical imaging, communications, video, and test instrumentation. The ADS5220 offers power dissipation of 195mW and also provides two power-down modes.

The ADS5220 is specified at a maximum sampling frequency of 40MSPS and a differential input range of 1V to 2V. The ADS5220 is available in a TQFP-48 package.



Please be aware that an important notice concerning availability, standard warranty, and use in critical applications of Texas Instruments semiconductor products and disclaimers thereto appears at the end of this data sheet.

All trademarks are the property of their respective owners.

## ABSOLUTE MAXIMUM RATINGS<sup>(1)</sup>

AV <sub>DD</sub> , DV <sub>DD</sub> , VDRV .....	+3.8V
Analog Input .....	-0.3V to (+V <sub>S</sub> + 0.3V)
Logic Input .....	-0.3V to (+V <sub>S</sub> + 0.3V)
Case Temperature .....	+100°C
Junction Temperature .....	+150°C
Storage Temperature .....	+150°C

NOTE: (1) Stresses above these ratings may cause permanent damage. Exposure to absolute maximum conditions for extended periods may degrade device reliability.



## ELECTROSTATIC DISCHARGE SENSITIVITY

This integrated circuit can be damaged by ESD. Texas Instruments recommends that all integrated circuits be handled with appropriate precautions. Failure to observe proper handling and installation procedures can cause damage.

ESD damage can range from subtle performance degradation to complete device failure. Precision integrated circuits may be more susceptible to damage because very small parametric changes could cause the device not to meet its published specifications.

## PACKAGE/ORDERING INFORMATION

PRODUCT	PACKAGE-LEAD	PACKAGE DESIGNATOR <sup>(1)</sup>	SPECIFIED TEMPERATURE RANGE	PACKAGE MARKING	ORDERING NUMBER	TRANSPORT MEDIA, QUANTITY
ADS5220	TQFP-48	PFB	-40°C to +85°C	ADS5220PFB	ADS5220PFBT	Tape and Reel, 250
"	"	"	"	"	ADS5220IPFBR	Tape and Reel, 2000
ADS5220	QFN-48 <sup>(2)</sup>	RGZ	-40°C to +85°C	ADS5220RGZ	ADS5220RGZ	Rails, 52
"	"	"	"	"	ADS5220IRGZR	Tape and Reel, 1000

NOTE: (1) For the most current specifications and package information, refer to our web site at [www.ti.com](http://www.ti.com).

(2) This package available Q2 2004.

## ELECTRICAL CHARACTERISTICS: AV<sub>DD</sub> = 3.3V

T<sub>MIN</sub> = -40°C, T<sub>MAX</sub> = +85°C, typical values are at T<sub>A</sub> = +25°C, sampling rate = 40MSPS, 50% clock duty cycle, AV<sub>DD</sub> = 3.3V, DV<sub>DD</sub> = 3.3, VDRV = 2.5V, -1dBFS, DCA off, internal reference voltage, and 2V<sub>PP</sub> differential input, unless otherwise noted.

PARAMETER	CONDITIONS	ADS5220			UNITS
		MIN	TYP	MAX	
<b>RESOLUTION</b>			12 Tested		Bits
<b>SPECIFIED TEMPERATURE RANGE</b>	Ambient Air		-40 to +85		°C
<b>ANALOG INPUT</b>					
Single-Ended Input Range	2V <sub>PP</sub>	0.5		2.5	V
Optional Single-Ended Input Range	1V <sub>PP</sub>	1		2	V
Differential Input Range	2V <sub>PP</sub>	1		2	V
Analog Input Bias Current			1		μA
Input Impedance	Static, No Clock		1.25    5		MΩ    pF
Analog Input Bandwidth	-3dBFS Input		300		MHz
<b>CONVERSION CHARACTERISTICS</b>					
Sample Rate		1M		40M	Samples/s
Data Latency			5		Clock Cycle
Clock Duty Cycle	Mode Select Enabled		35 to 65		%
<b>DYNAMIC CHARACTERISTICS</b>					
Differential Linearity Error (largest code error)			±0.3	±0.75	LSB
f = 2.4MHz			±0.35		LSB
f = 9.7MHz			Tested		
No Missing Codes			±0.7	±1.5	LSBs
Integral Nonlinearity Error, f = 2.4MHz	Referred to Full-Scale		88		dBFS <sup>(2)</sup>
Spurious-Free Dynamic Range <sup>(1)</sup>			88		dBFS
f = 2.4MHz		83	88		dBFS
f = 9.7MHz			76		dBFS
f = 19.8MHz					
2-Tone Intermodulation Distortion <sup>(3)</sup>			86.3		dBc
f = 9.5MHz and 10.5MHz (-7dB each tone)					
Signal-to-Noise Ratio (SNR)	Referred to Full-Scale		70		dBFS
f = 2.4MHz		68.5	70		dBFS
f = 9.7MHz			69		dBFS
f = 19.8MHz					
Signal-to-(Noise + Distortion) (SINAD)	Referred to Full-Scale		69		dBFS
f = 2.4MHz		68	69		dBFS
f = 9.7MHz			68		dBFS
f = 19.8MHz					
Effective Number of Bits <sup>(4)</sup> , f = 2.4MHz			11.2		Bits
Output Noise	Input Tied to Common-Mode		0.3		LSBrms
Aperture Delay Time			3		ns
Aperture Jitter			1.2		ps rms
Over-Voltage Recovery Time			1.0		Clock Cycle
Full-Scale Step Acquisition Time			5		ns

# ELECTRICAL CHARACTERISTICS: $AV_{DD} = 3.3V$

$T_{MIN} = -40^{\circ}C$ ,  $T_{MAX} = +85^{\circ}C$ , typical values are at  $T_A = +25^{\circ}C$ , sampling rate = 40MSPS, 50% clock duty cycle,  $AV_{DD} = 3.3V$ ,  $DV_{DD} = 3.3$ ,  $VDRV = 2.5V$ ,  $-1dBFS$ , DCA off, internal reference voltage, and  $2V_{PP}$  differential input, unless otherwise noted.

PARAMETER	CONDITIONS	ADS5220			UNITS
		MIN	TYP	MAX	
<b>DIGITAL INPUTS</b> Logic Family Convert Command High Level Input Current <sup>(5)</sup> ( $V_{IN} = 3V_{DD}$ ) Low Level Input Current ( $V_{IN} = 0V$ ) High Level Input Voltage Low Level Input Voltage Input Capacitance	Start Conversion	+1.7	5	100 10 +0.7	$\mu A$ $\mu A$ V V pF
<b>DIGITAL OUTPUTS</b> Logic Family Logic Coding Low Output Voltage ( $I_{OL} = 50\mu A$ to 1.5mA) High Output Voltage ( $I_{OH} = 50\mu A$ to 0.5mA) 3-State Enable Time 3-State Disable Time Output Capacitance	$VDRV = 2.5V$  $\overline{OE} = H$ $\overline{OE} = L$	+2.4	20 2 5	+0.1 40 10	V V ns ns pF
<b>ACCURACY (Internal Reference, <math>2V_{PP}</math>, unless otherwise noted)</b> Zero Error (referred to midscale) Zero Error Drift (referred to midscale) Gain Error <sup>(6)</sup> Gain Error Drift Power-Supply Rejection of Gain	$f_{IN} = 2.4MHz$ , at $25^{\circ}C$ $f_{IN} = 2.4MHz$ at $25^{\circ}C$  $\Delta V_S = \pm 5\%$		$\pm 0.75$ 5 $\pm 0.4$ 38 52	$\pm 1.5$  $\pm 3.0$	%FS ppm/ $^{\circ}C$ %FS ppm/ $^{\circ}C$ dB
<b>INTERNAL VOLTAGE REFERENCE</b> Output Voltage Error (1V) Load Regulation at 1mA Output Voltage Error (0.5V) Load Regulation at 0.5mA			$\pm 10mV$ 0.15% $\pm 5mV$ 0.1%		mV mV
<b>POWER-SUPPLY REQUIREMENTS</b> Supply Voltage: $AV_{DD}$ , $DV_{DD}$ Driver Supply Voltage Supply Current: $+I_S$ Power Dissipation: $VDRV = 2.5V$ $VDRV = 3.3V$ Standard Power-Down Quasi-Power-Down  Thermal Resistance, $\theta_{JA}$ TQFP-48 QFN-48	Operating  Operating (External Reference)	+3.0 +2.3	+3.3 2.5 59 195 200 15 75	+3.6 +3.6 215	V V mA mW mW mW mW  $^{\circ}C/W$ $^{\circ}C/W$

NOTES: (1) Spurious-Free Dynamic Range refers to the magnitude of the largest harmonic.

(2) dBFS means dB relative to Full-Scale.

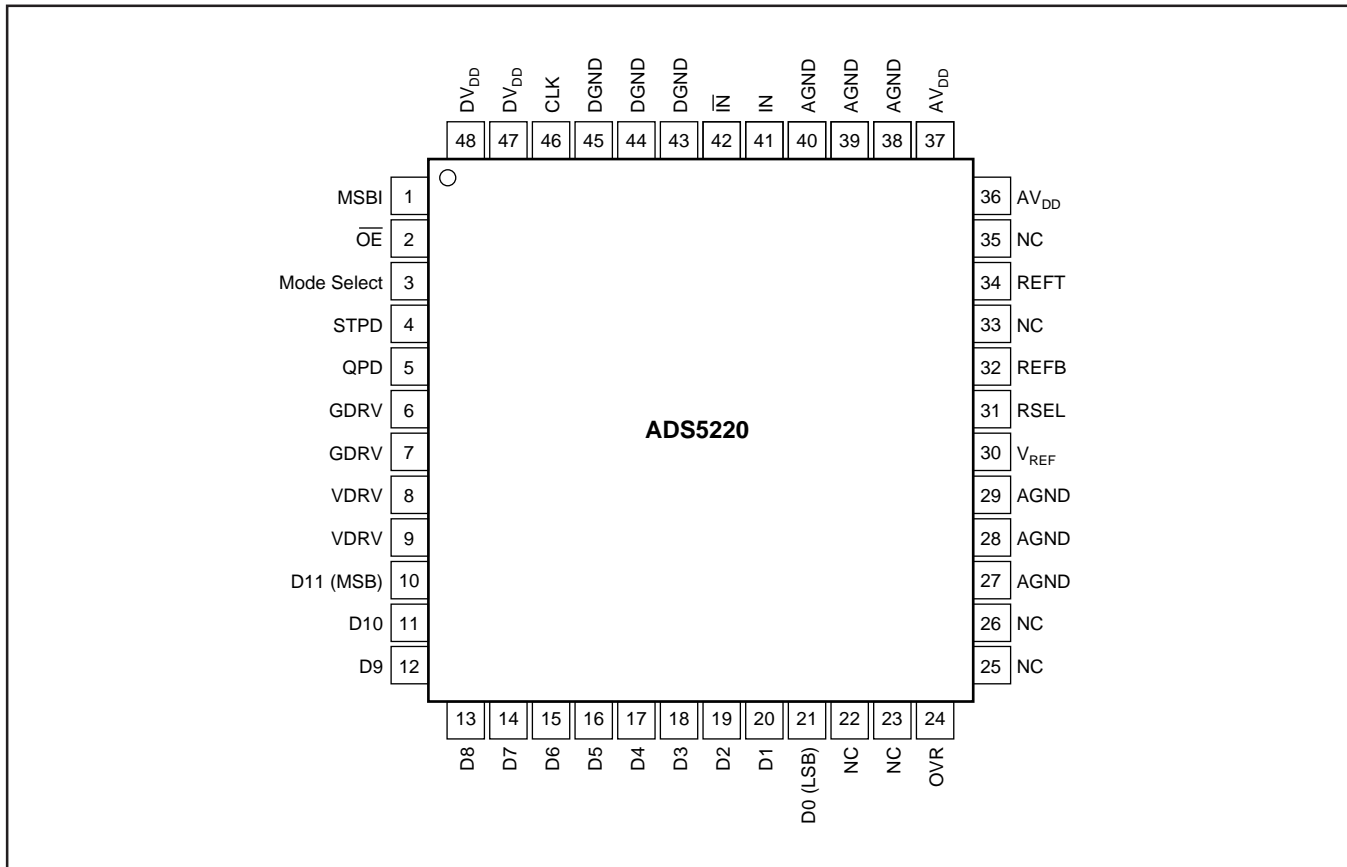
(3) 2-tone intermodulation distortion is referred to the largest fundamental tone. This number will be 6dB higher if it is referred to the magnitude of the two-tone fundamental envelope.

(4) Effective Number of Bits (ENOB) is defined by  $(SINAD - 1.76)/6.02$ .

(5) A 50k $\Omega$  pull-down resistor is inserted internally on the  $\overline{OE}$  pin.

(6) Includes internal reference.

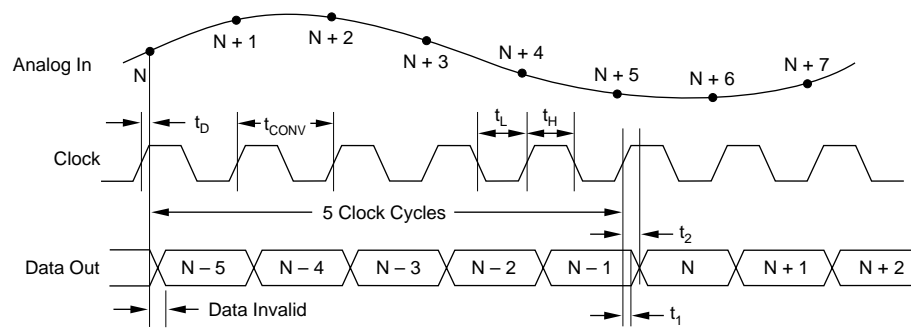
## PIN CONFIGURATION



## PIN ASSIGNMENTS

PIN	I/O	NAME	DESCRIPTION	PIN	I/O	NAME	DESCRIPTION
1		MSBI	Most Significant Bit Invert (HI = Binary Two's Complement, LO = Straight Offset Binary)	25		NC	No Internal Connection
2		$\overline{\text{OE}}$	Tri-State (LO = Enabled, HI = Tri-State)	26		NC	No Internal Connection
3		Mode Select	Duty Cycle Stabilizer (HI = Enabled, LO = Normal Operation)	27		AGND	Analog Ground
4		STPD	Standard Power Down (LO = Normal Operation, HI = Enabled)	28		AGND	Analog Ground
5		QPD	Quasi Power Down (LO = Normal Operation, HI = Enabled)	29		AGND	Analog Ground
6		GDRV	Output Driver Ground	30		V <sub>REF</sub>	Internal Reference Voltage (1/2V Reference)
7		GDRV	Output Driver Ground	31		RSEL	Reference Mode Select (see Table I for settings)
8		VDRV	Output Driver Supply	32		REFB	Bottom Reference Bypass
9		VDRV	Output Driver Supply	33		NC	No Internal Connection
10	O	D11 (MSB)	Data Bit 12	34		REFT	Top Reference Bypass
11	O	D10	Data Bit 11	35		NC	No Internal Connection
12	O	D9	Data Bit 10	36		AV <sub>DD</sub>	Analog Supply
13	O	D8	Data Bit 9	37		AV <sub>DD</sub>	Analog Supply
14	O	D7	Data Bit 8	38		AGND	Analog Ground
15	O	D6	Data Bit 7	39		AGND	Analog Ground
16	O	D5	Data Bit 6	40		AGND	Analog Ground
17	O	D4	Data Bit 5	41	I	IN	Analog Input
18	O	D3	Data Bit 4	42	I	$\overline{\text{IN}}$	Complementary Analog Input
19	O	D2	Data Bit 3	43		DGND	Digital Ground
20	O	D1	Data Bit 2	44		DGND	Digital Ground
21	O	D0 (LSB)	Data Bit 1	45		DGND	Digital Ground
22		NC	No Internal Connection	46	I	CLK	Convert Clock Input
23		NC	No Internal Connection	47	I	DV <sub>DD</sub>	Digital Supply
24		OVR	Over-Range Indicator	48	I	DV <sub>DD</sub>	Digital Supply

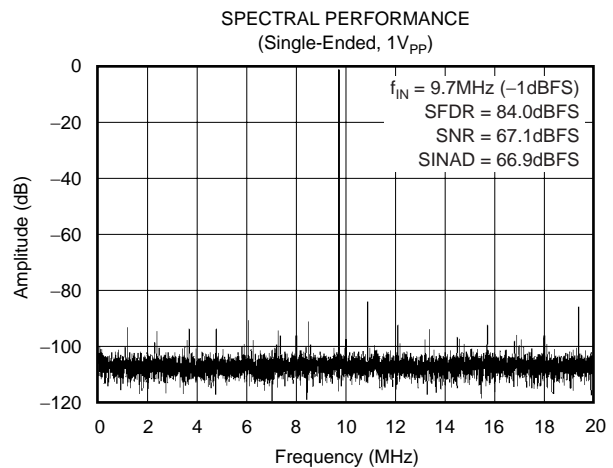
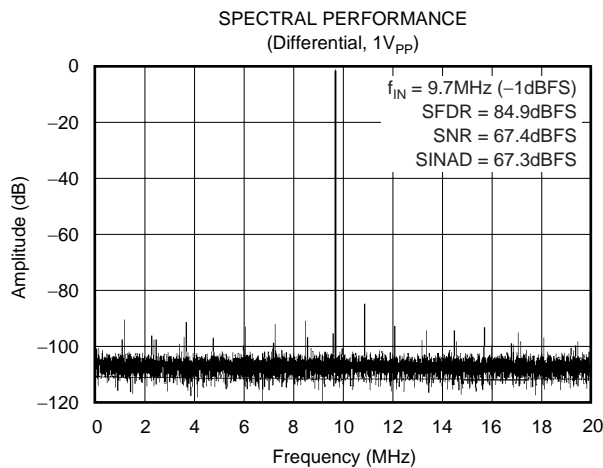
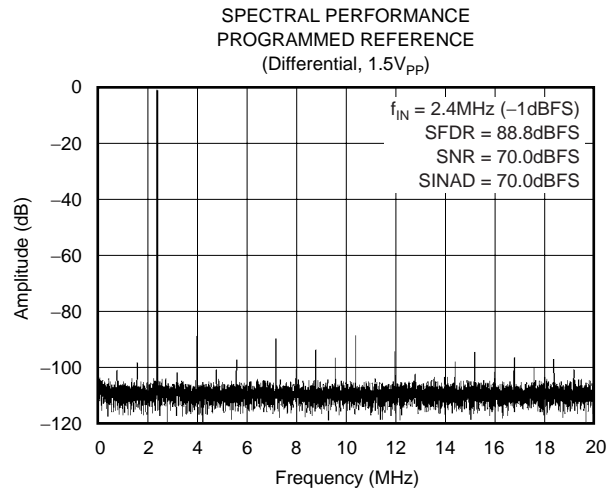
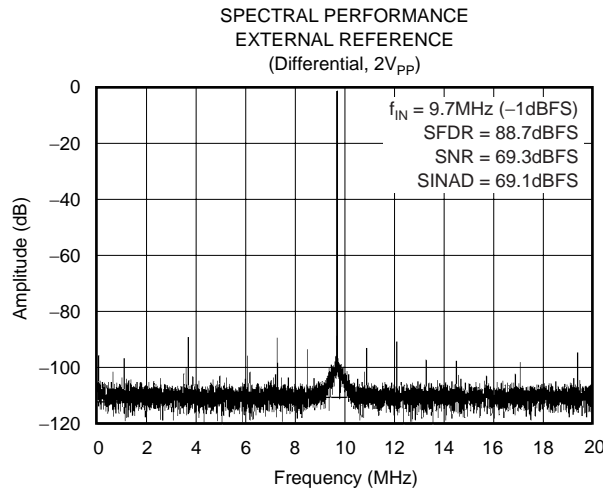
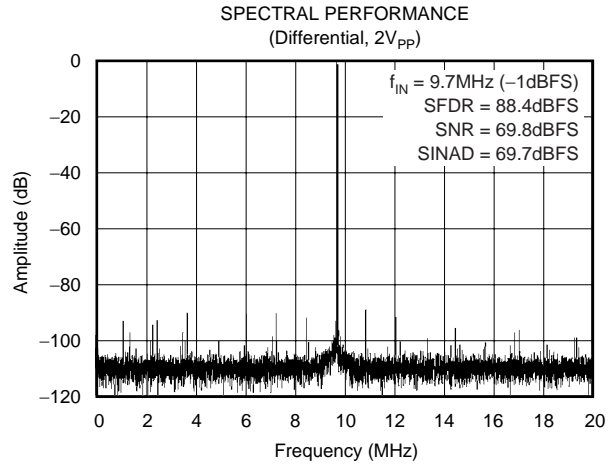
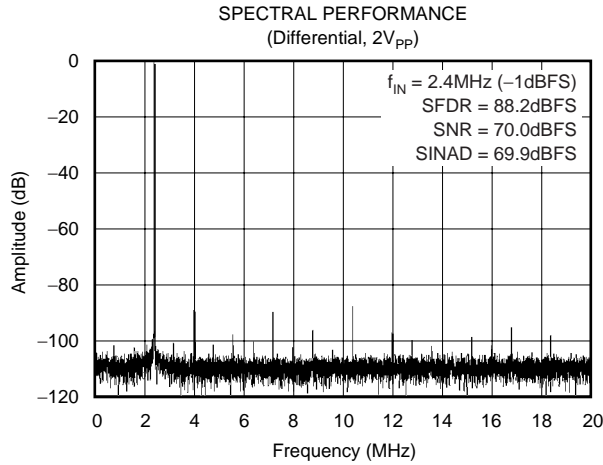
# TIMING DIAGRAM



SYMBOL	DESCRIPTION	MIN	TYP	MAX	UNITS
$t_{CONV}$	Convert Clock Period	25		1 $\mu$ s	ns
$t_L$	Clock Pulse LOW	8.75	12.5		ns
$t_H$	Clock Pulse HIGH	8.75	12.5		ns
$t_D$	Aperture Delay		3		ns
$t_1$	Data Hold Time, $C_L = 0pF$	3.9			ns
$t_2$	New Data Delay Time, $C_L = 15pF$ max			12	ns

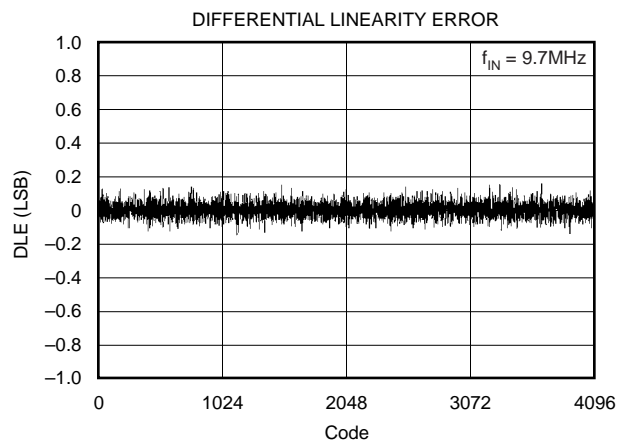
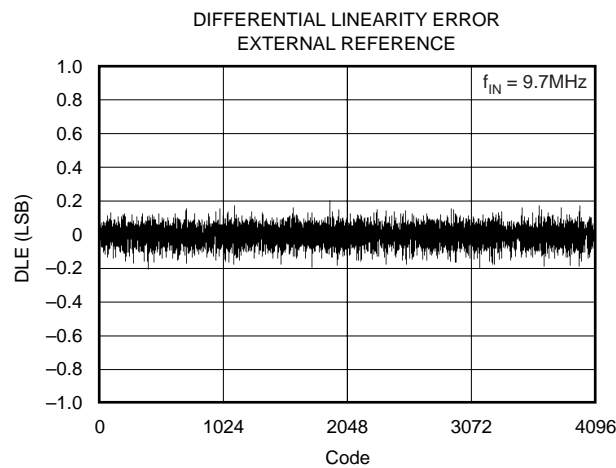
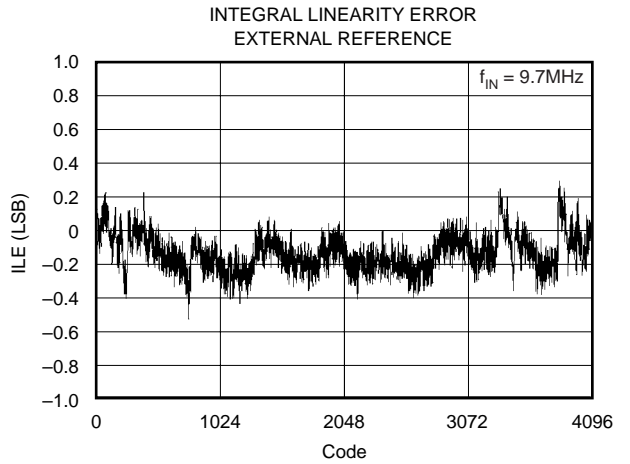
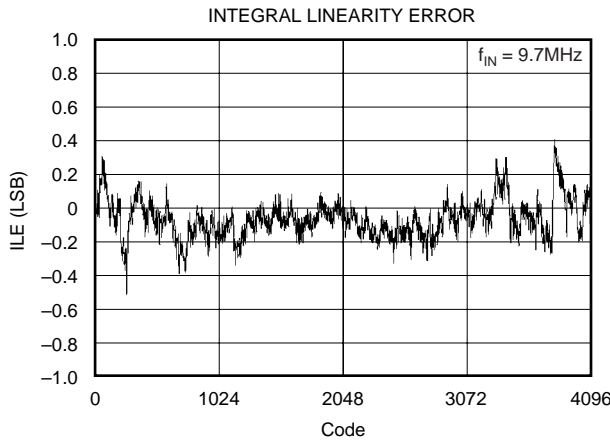
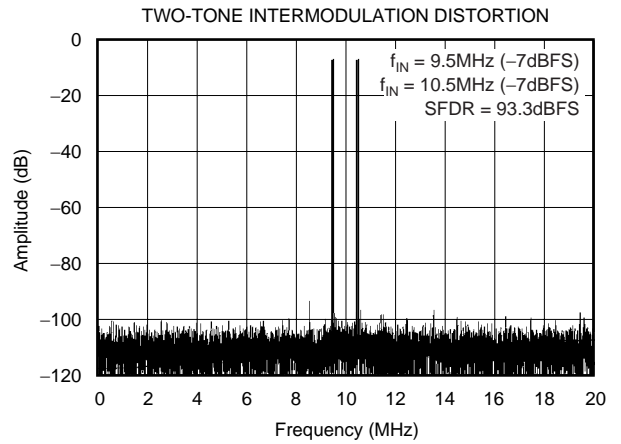
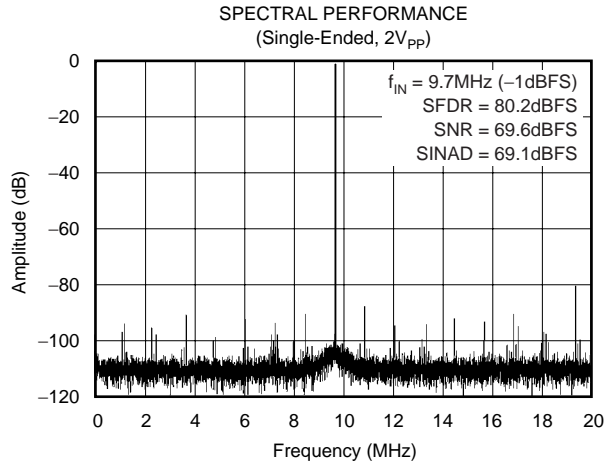
# TYPICAL CHARACTERISTICS: $AV_{DD} = 3.3V$

$T_{MIN} = -40^{\circ}C$ ,  $T_{MAX} = +85^{\circ}C$ , typical values are at  $T_A = +25^{\circ}C$ , sampling rate = 40MSPS, 50% clock duty cycle,  $AV_{DD} = 3.3V$ ,  $DV_{DD} = 3.3V$ ,  $VDRV = 2.5V$ ,  $-1dBFS$ , DCA off, internal reference voltage, and  $2V_{pp}$  differential input, unless otherwise noted.



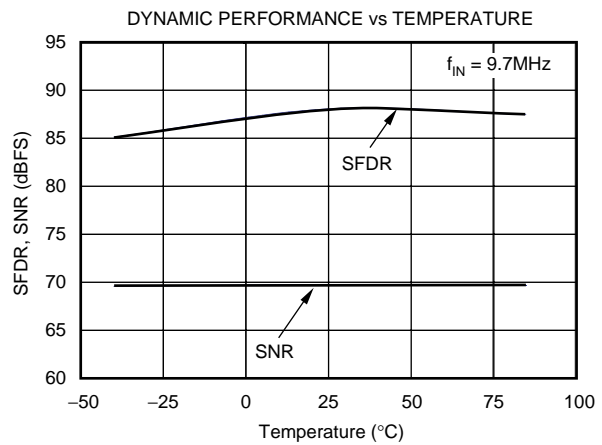
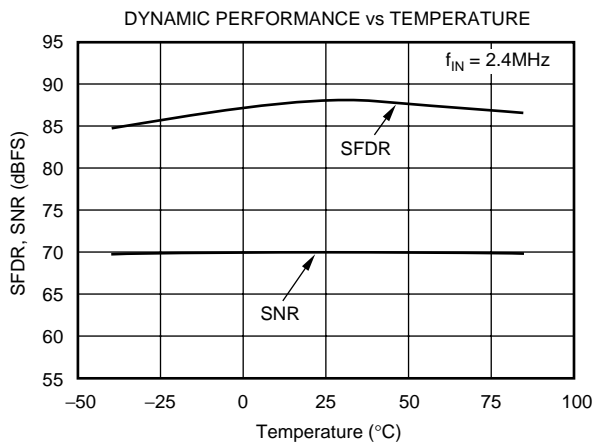
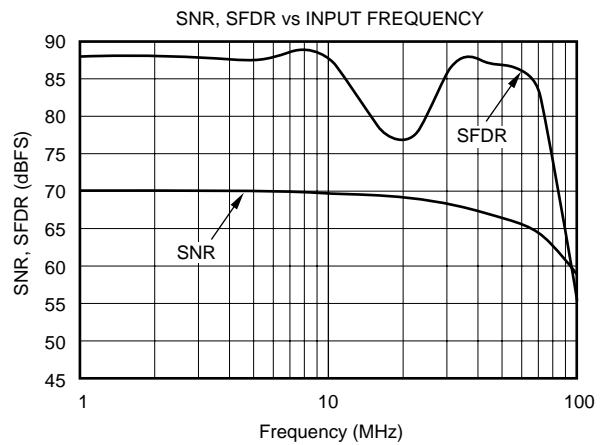
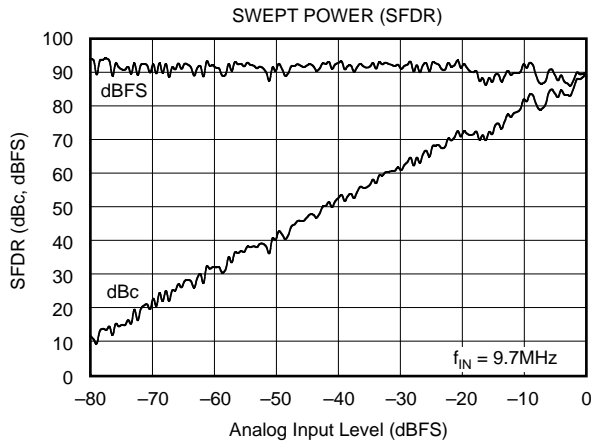
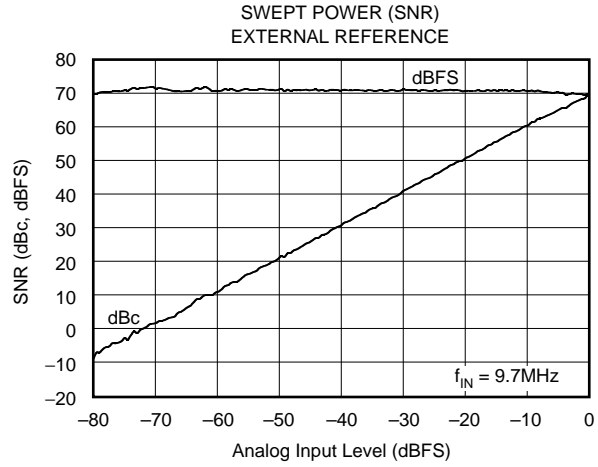
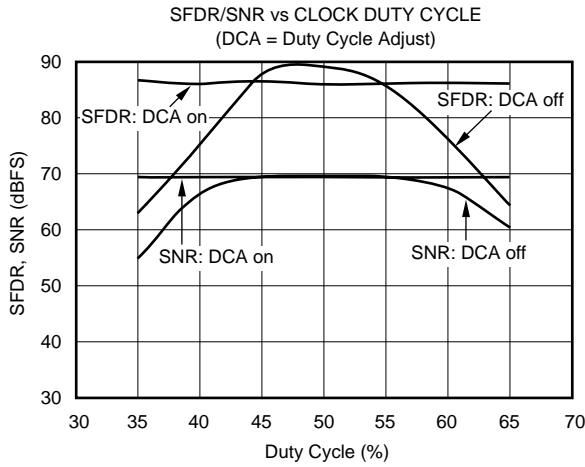
# TYPICAL CHARACTERISTICS: $AV_{DD} = 3.3V$ (Cont.)

$T_{MIN} = -40^{\circ}C$ ,  $T_{MAX} = +85^{\circ}C$ , typical values are at  $T_A = +25^{\circ}C$ , sampling rate = 40MSPS, 50% clock duty cycle,  $AV_{DD} = 3.3V$ ,  $DV_{DD} = 3.3V$ ,  $V_{DRV} = 2.5V$ ,  $-1dBFS$ , DCA off, internal reference voltage, and  $2V_{pp}$  differential input, unless otherwise noted.



# TYPICAL CHARACTERISTICS: $AV_{DD} = 3.3V$ (Cont.)

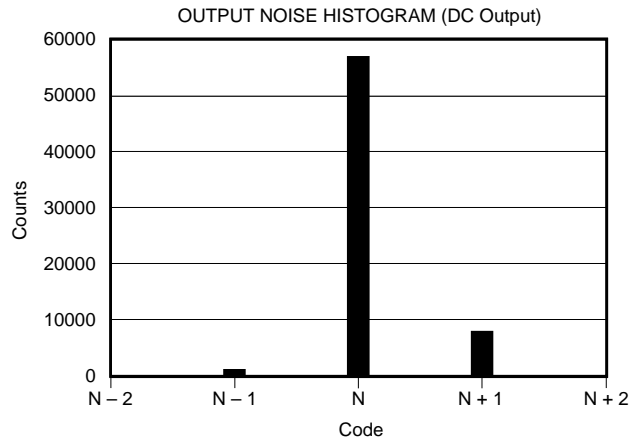
$T_{MIN} = -40^{\circ}C$ ,  $T_{MAX} = +85^{\circ}C$ , typical values are at  $T_A = +25^{\circ}C$ , sampling rate = 40MSPS, 50% clock duty cycle,  $AV_{DD} = 3.3V$ ,  $DV_{DD} = 3.3V$ ,  $VDRV = 2.5V$ ,  $-1dBFS$ , DCA off, internal reference voltage, and  $2V_{pp}$  differential input, unless otherwise noted.





# TYPICAL CHARACTERISTICS: $AV_{DD} = 3.3V$ (Cont.)

$T_{MIN} = -40^{\circ}C$ ,  $T_{MAX} = +85^{\circ}C$ , typical values are at  $T_A = +25^{\circ}C$ , sampling rate = 40MSPS, 50% clock duty cycle,  $AV_{DD} = 3.3V$ ,  $DV_{DD} = 3.3V$ ,  $V_{DRV} = 2.5V$ ,  $-1dBFS$ , DCA off, internal reference voltage, and  $2V_{PP}$  differential input, unless otherwise noted.



## APPLICATION INFORMATION

### THEORY OF OPERATION

The ADS5220 is a 12-bit, 40MSPS, CMOS ADC designed with a fully differential pipeline architecture. The pipeline consists of three sections: a 3-bit quantizer, eight middle stages with a 1.5-bit quantizer for each stage, and a 4-bit flash. The output of each pipeline stage is processed and formed into 12-bit data in the digital error correction logic section to ensure good differential linearity of the ADC. The converter includes a high bandwidth track-and-hold amplifier in the input stage as shown in Figure 1. The rising edge of the input clock initiates the conversion process. Once the signal is captured by the input track-and-hold, the bits are sequentially encoded starting with the Most Significant Bit (MSB). This process results in a data latency of 5 clock cycles. The ADS5220 includes a high accuracy internal reference and also allows the use of an external reference. The input full-scale range is up to  $2V_{PP}$  and is selectable based on the reference voltage setting. For normal operation, both analog inputs ( $IN$ ,  $\overline{IN}$ ) require an external common-mode voltage as a bias. The output data of the ADS5220 is available as a 12-bit parallel word, either coded in a Straight Offset Binary or Binary Two's Complement format. The ADS5220 includes an on-chip duty-cycle adjust (DCA) circuit, controlled through the state of the *Mode Select* pin

(3). When activated, this duty-cycle adjust circuit can accommodate for an incoming clock duty-cycle range of 35% to 65%, and re-time it to a 50% duty-cycle, which allows for optimum internal clock timing. The ADS5220 has low power dissipation in normal mode and has two power-down modes. The device operates from a single +3.3V power supply and has a separate digital output driver supply pin.

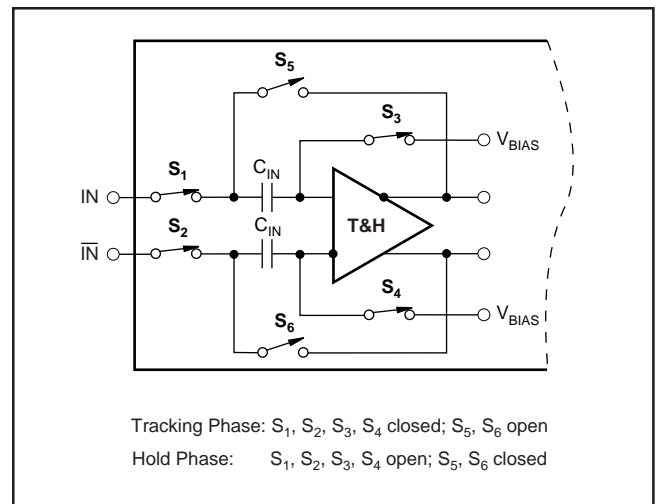


FIGURE 1. Simplified Circuit of Input Track-and-Hold Amplifier of ADS5220.

## ANALOG INPUT

Depending on the application and the desired level of performance, the analog input of the ADS5220 can be configured in various ways and driven with different circuits. In any case, the analog interface requirements should be carefully examined before selecting the appropriate circuit configuration. The circuit definition should include considerations on the input frequency band and amplitude, as well as the available power supplies.

## INPUT IMPEDANCE

The input impedance of the ADS5220 is capacitive due to the input stray and sampling capacitors. These capacitors effectively result in a dynamic input impedance that is a function of the sampling and input frequency. Figure 2 depicts the differential input impedance of the ADS5220 as a function of the signal input frequency. For applications that use op amps to drive the ADC, it is recommended that a series resistor be added between the amplifier output and the converter inputs. This will isolate the capacitive input of the converter from the driving source and avoid gain peaking, or instability; furthermore, it will create a 1st-order, low-pass filter (LPF) in conjunction with the specified input capacitance of the ADS5220. The cutoff frequency of this LPF can be further adjusted by adding an external shunt capacitor. In any case, the use of the RC network is optional, but optimizing the values to adapt to the specific application is encouraged.

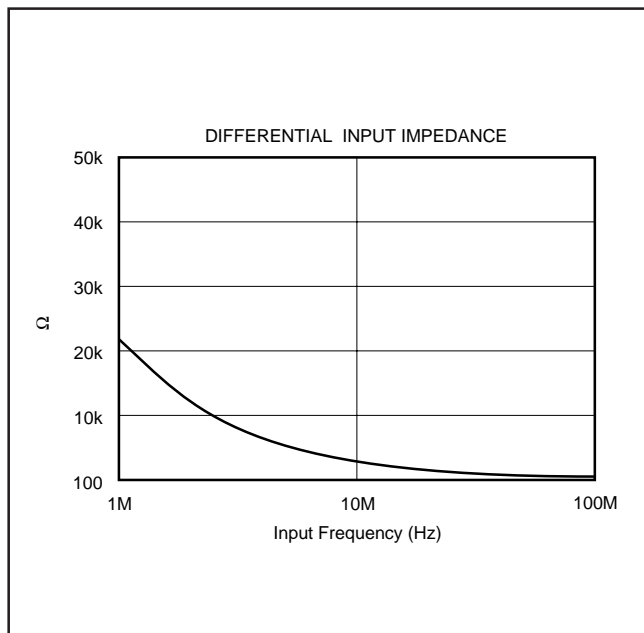


FIGURE 2. Differential Input Impedance vs Input Frequency.

## INPUT COMMON-MODE VOLTAGE

The ADS5220 operates from a single +3.3V supply, and requires an external common-mode voltage. This allows a symmetrical signal swing while maintaining sufficient headroom to the supply rails. The common-mode voltage can be generated from an external DC voltage source (for example, an analog +3.3V supply with a simple resistor divider), or from the input signal source with DC-coupling. For a single-ended input configuration, the common-mode voltage is typically +1.25V. When the input configuration is differential, the common-mode voltage is +1.5V.

## INPUT FULL-SCALE RANGE

The input full-scale range (FSR) of the ADS5220 is selectable from  $1V_{PP}$  to  $2V_{PP}$  and any value within this range, by the configuration of the reference select pin RSEL and reference voltage pin  $V_{REF}$  (see Table I). The input FSR (differential) is always twice  $V_{REF}$  (the voltage at the  $V_{REF}$  pin) for all reference modes.

By choosing different signal input ranges, trade-offs can be made between noise and distortion performance. For example, applications requiring the maximum signal-to-noise performance (SNR) will benefit from the  $2V_{PP}$  input range while lower distortion may be obtain with the reduced input range of  $1V_{PP}$ . Depending on the input driver configuration the  $1V_{PP}$  range may also relax the requirements for the driver, particularly for single-ended, single supply applications.

## DIFFERENTIAL INPUTS

The ADS5220 input structure is designed to accept both a single-ended or differential analog signal. However, the ADS5220 will achieve its optimum performance when the analog inputs are driven differentially.

Differential operation of the ADS5220 requires that an input signal at the inputs ( $IN$ ,  $\overline{IN}$ ) has the same amplitude and is 180 degrees out-of-phase. Differential signals offer a number of advantages:

- The signal amplitude is half that required for the single-ended operation, and is therefore less demanding to achieve, while maintaining good linearity performance from the signal source.
- The reduced signal swing allows for more headroom of the interface circuitry, and therefore also allows a wider selection of the most suitable driver amplifier.
- Minimization of even-order harmonics.
- Improved noise immunity based on the common-mode input rejection of the converter.

## ANALOG INPUT DRIVEN BY TRANSFORMER

The ADS5220 can be driven by a transformer, which provides signal AC-coupling and allows a signal conversion from single-ended input to differential output, or from single-ended input to single-ended output. Using a transformer offers a number of advantages. As a passive component, it does not add to the total noise and has better harmonics in wide frequency bands, compared to an op amp driver. By using a step-up transformer, further signal amplification can be realized; as a result, the signal swing from the source can be reduced. For transformer selection, it is important to carefully examine the application requirements and determine the correct model, the desired impedance ratio, and frequency characteristics. Furthermore, the appropriate model must support the targeted distortion level and should not exhibit any core saturation at full-scale voltage levels. A variety of miniature RF transformers from different manufacturers (such as Mini-Circuits, Coilcraft, or Trak) can be selected.

Figure 3 shows a transformer-coupled input configuration of the ADS5220. The ADS5220 receives a differential AC signal from the output of the transformer and common-mode voltage of +1.5V from the center tap. A source termination resistor,  $R_T$ , is required, which may be placed at the primary or secondary side of the transformer to satisfy the termination requirements of the source impedance,  $R_S$ . The circuit also shows the use of an additional RC low-pass filter placed in series with each converter input to attenuate some of the wideband noise. The resistor values are typically in the range of 10 $\Omega$  to 50 $\Omega$ , and capacitors are in the range of 10pF to 100pF for individual application requirements.

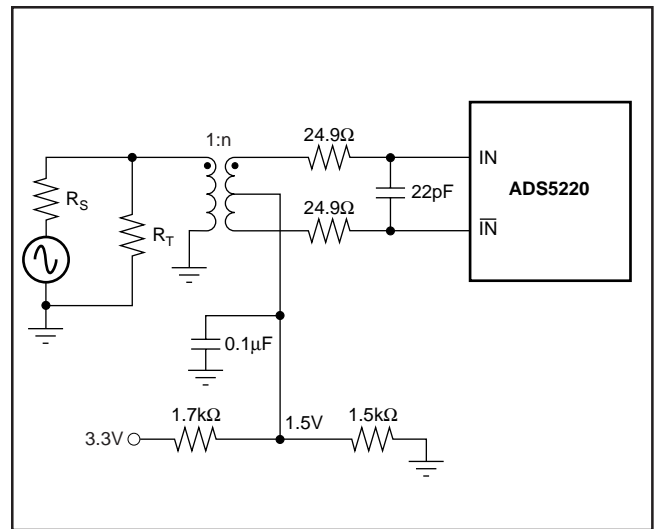
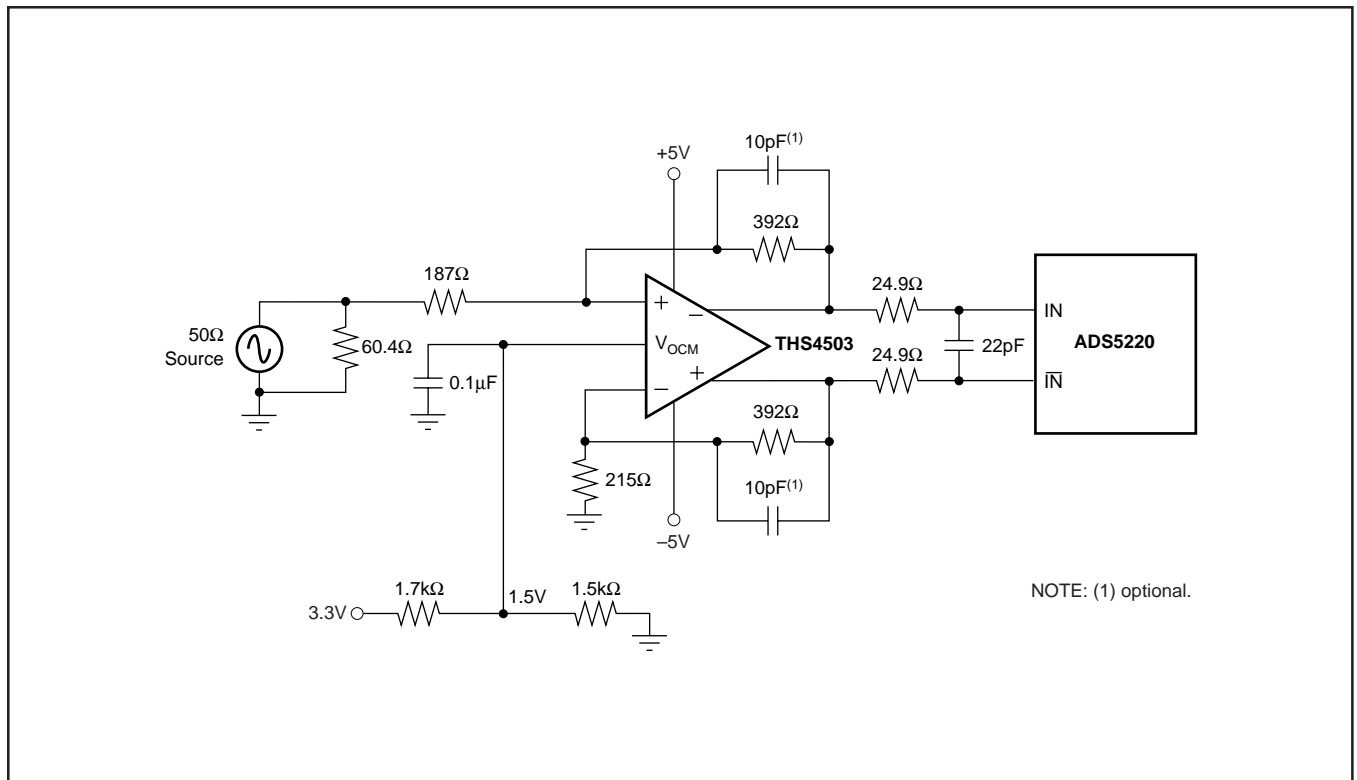


FIGURE 3. Transformer-Coupled Differential Input Configuration of ADS5220.

## ANALOG INPUT DRIVEN BY AMPLIFIER

The ADS5220 can be driven by an operational amplifier with DC or AC signal coupling, as shown in Figure 4 and Figure 5. In Figure 4, the THS4503, a differential amplifier, is used to convert a single-ended input into a differential output with a gain of 2. The THS4503 provides an output common-mode voltage set by  $V_{OCM}$  pin, and is DC-coupled to the input of ADS5220. A low-pass filter can be created by adding small capacitors (for example, 10pF) in parallel with the feedback resistors of the THS4503 as needed for some applications.



NOTE: (1) optional.

FIGURE 4. Using the THS4503 Differential Amplifier (Gain = 2) to Drive the ADS5220 in a DC-Coupled Configuration.

Due to the THS4503 driving a capacitive load, small series resistors in the output ensure stable operation. Further details of this and other functions of the THS4503 may be found in its product datasheet, located on the Texas Instruments web site ([www.ti.com](http://www.ti.com)). In general, differential amplifiers provide a high-performance driver solution for applications that require DC signal coupling.

As shown in Figure 5, an AC-coupled, single-ended input configuration is realized with TI's OPA695 for wideband applications. For narrowband applications, the OPA2822 can be used. In Figure 5, the OPA695 is configured for a single supply +5V and noninverting operation. The AC gain of the amplifier is 2 and the DC bias of the amplifier is +2.5V, set by the voltage divider from the op amp power supply. The OPA695 is a very high bandwidth, current-feedback op amp that combines 4200V/ $\mu$ s slew rate and low input voltage noise. The OPA695's high slew-rate and output drive capability can support the maximum full-scale input range of the ADS5220 up to high input frequencies.

Further details of the OPA695 can be found in the OPA695 data sheet. The common-mode voltage at the ADS5220 input is +1.25V, set by a voltage divider from +3.3V power supply. The +3.3V power supply must be decoupled, as shown in Figure 11.

## CLOCK INPUT

The clock input of the ADS5220 is designed to operate with a single-ended pulse clock with CMOS/TTL level and DC-coupling. There is no external common-mode voltage requirement at the clock input pin (see Figure 6).

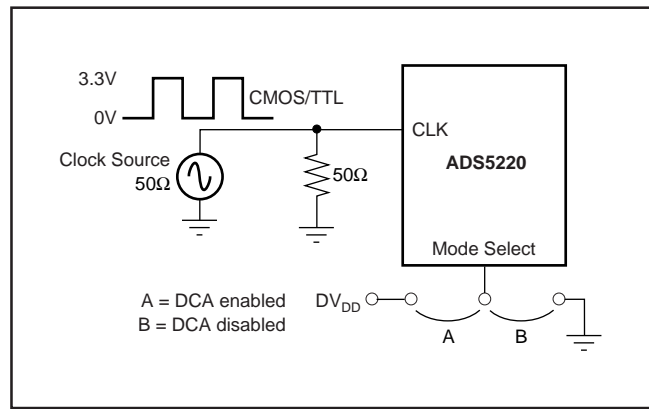


FIGURE 6. General Input Clock Interface of ADS5220.

The clock input of the ADS5220 is referenced to the digital supply ( $DV_{DD}$ ) and the applied logic levels should comply with the specified levels (LV-logic). To obtain the specified level of performance the clock signal applied to the ADS5220 should have as close of a 50% duty cycle as possible. This is particularly important when the ADS5220 is operated at its maximum sampling rate. Since this condition cannot always easily be met, the ADS5220 features an on-chip duty-cycle adjust (DCA) circuit that allows for additional design flexibility. The function of this duty cycle adjust circuit is controlled through the *Mode Select* pin. Its default configuration is for a logic low (internal pull-down) which has the DCA circuit disabled. Applying a logic high, the DCA circuit becomes activated. Now the incoming clock duty cycle can be in the range of 35% to 65% and the DCA circuit will adjust this to be 50% for the internal timing. There may be situations where

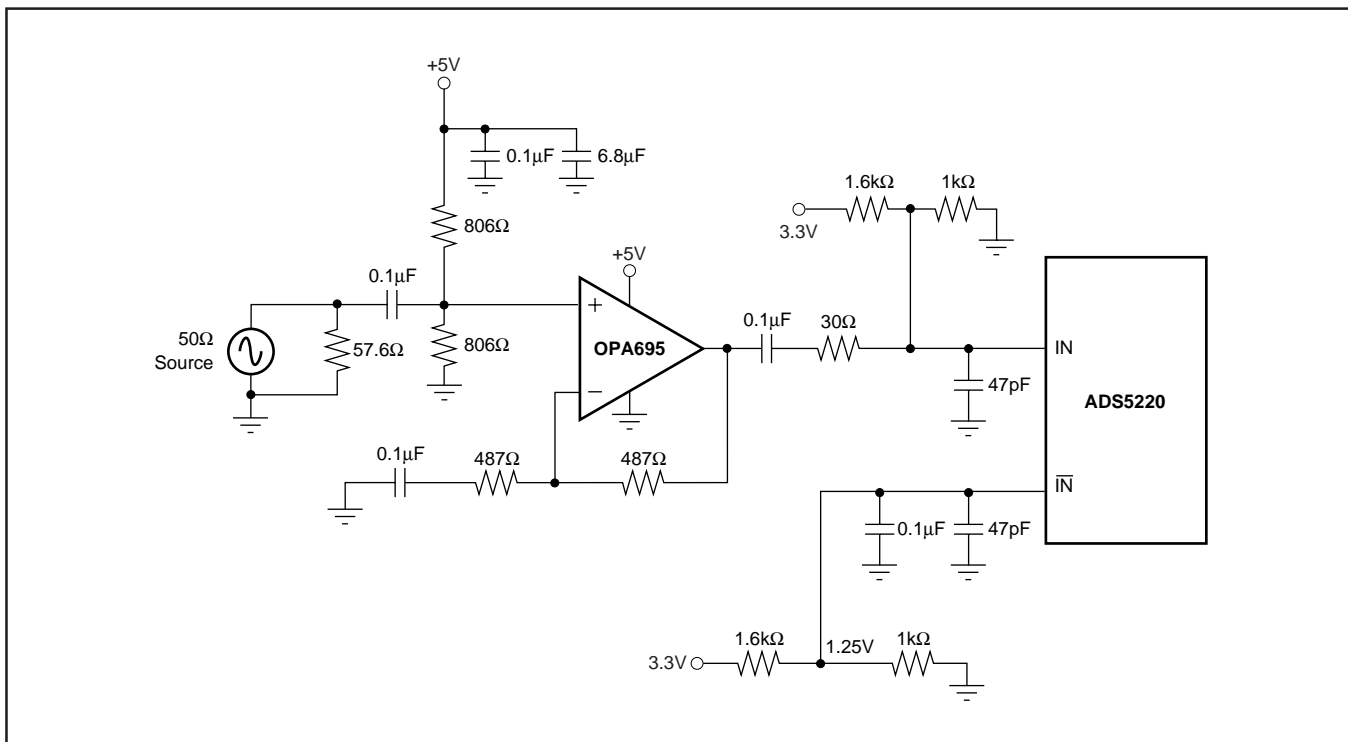


FIGURE 5. Single-Ended Input of ADS5220 Driven by OPA695 with Gain = 2.

the user may prefer to disable the DCA function; for example, during asynchronous clocking (that is, when the sampling period is purposely not constant).

In any case, a very low jitter clock is fundamental to preserving the excellent AC performance of the ADS5220. Generally, as input frequency increases, clock jitter becomes more critical to maintain a good signal-to-noise ratio. The following equation can be used to calculate the achievable SNR for a given input frequency and clock jitter ( $t_{JA}$  in ps rms):

$$SNR_{JA} = 20 \log [1/(2 \cdot \pi \cdot f_{IN} \cdot t_{JA})]$$

Here, the  $t_{JA}$  is the rms aperture jitter from all jitter sources, such as clock edge, input signal and the device. The  $f_{IN}$  is input frequency. The crystal oscillator has very low jitter, but if using a clock conditioning circuit (gate, divider, logic level converter, and so forth), the extra jitter and timing variation must be considered. In addition, the input clock is treated as an analog signal and its power supply should be separated from the power supply of the digital output driver to limit the digital noise.

### MINIMUM SAMPLING RATE

The pipeline architecture of the ADS5220 uses a switched-capacitor technique in its internal track-and-hold stages. The high sampling speed necessitates the use of very small capacitor values. In order to hold droop errors low, the capacitors require a minimum refresh rate. To maintain accuracy of the acquired sample charge, the sampling clock on the ADS5220 must not drop below the specified minimum of 1MSPS.

### REFERENCE

The ADS5220 provides both an internal and an external reference mode through the configuration of pins RSEL and  $V_{REF}$  (see Table 1). The input full-scale range (FSR) of the ADS5220 is always twice the voltage at the  $V_{REF}$  pin. The REFT and REF B pins are internally buffered, and drive the ADC core for both the external and internal reference modes. When the internal reference mode is selected the voltage at  $V_{REF}$  is generated by an internal 0.5V bandgap voltage through a  $V_{REF}$  amplifier. This internal buffer amplifier can be used to supply up to 2mA to external circuitry. Selecting the external reference mode will power-down this reference amplifier, and the  $V_{REF}$  pin becomes the input for the external reference voltage. In the power-down mode, the impedance of the  $V_{REF}$  pin is approximately 6k $\Omega$ .

Shown in Table I are the values for  $V_{REF}$ ,  $V_{REFB}$ , and  $V_{REF}$  for the various modes and full-scale input ranges.

The ADS5220 requires its reference pins to be bypassed as outlined in Figure 7 through Figure 10. The configuration

remains the same for the internal or external reference modes. The bypassing should consist of two pairs of 2.2 $\mu$ F ceramic and 15 $\mu$ F tantalum capacitors, and a 10 $\mu$ F tantalum capacitor, as depicted in Figure 7.

In addition to the bypassing the top- and bottom reference pin (REFT, REF B) require a pull-up and a pull-down resistor, respectively. As shown in Figure 7, the pull-up resistor should be connected from the REFT pin to the analog supply (+3.3V  $AV_{DD}$ ), while the pull-down resistor on the REF B pin should be connected to ground. For proper operation the value of those resistors should be maintained as shown, that is, 402 $\Omega$ . Also, to ensure optimal settling of the internal reference amplifiers the external configuration must include two low value resistors located in series with each the REFT and REF B pins (see Figure 7). For best results, use small surface mount chip resistors and position them as close to the pins as possible.

### INTERNAL REFERENCE

There are two internal fixed reference modes and one internal programmable reference mode as shown in Table I and Figure 7 through Figure 9. Setting RSEL to ground (or < 0.2V) provides an internal reference voltage of +1.0V at  $V_{REF}$  pin, +2V at REFT, and +1V at REF B pin. In this case, the input FSR is +2V peak-to-peak. Connecting RSEL to the  $V_{REF}$  pin provides an internal reference voltage of +0.5V at  $V_{REF}$ , +1.75V at REFT, and +1.25V at REF B. In this case, the input FSR is +1V peak-to-peak. Setting the resistor divider as in Figure 9 provides an internal voltage between +0.5V and +1V at  $V_{REF}$ , which is as follows:

$$V_{REF} = 0.5 \cdot (1 + R_2/R_1)$$

In this case, the voltage at REFT and REF B and input FSR is calculated based on Table I.

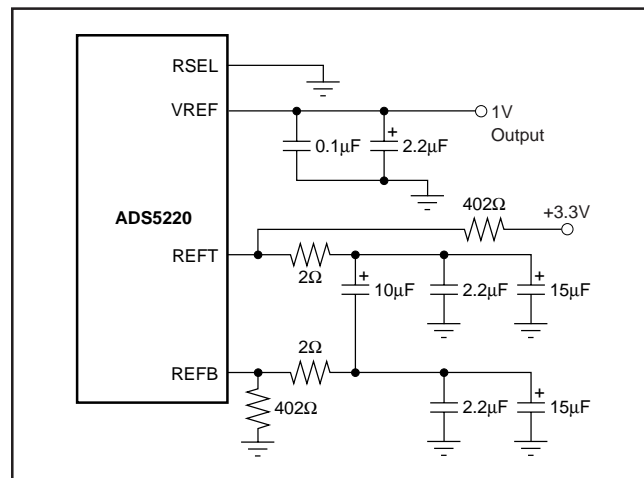


FIGURE 7. Internal Reference Mode for  $V_{REF} = 1V$ .

SELECTED MODE	RSEL PIN CONNECT TO	$V_{REF}$ PIN (V)	INPUT FSR ( $V_{PP}$ ) (Differential)	REFT (V)	REF B (V)
Internal Fixed	GND to 0.2V	1.0	2	2	1
Internal Fixed	$V_{REF}$ Pin	0.5	1	1.75	1.25
Internal Program	0.2V to $V_{REF}$	$0.5 \cdot (1 + R_2/R_1)$	$2 \cdot V_{REF}$	$V_{REF}/2 + 1.5$	$1.5 - V_{REF}/2$
External	$AV_{DD}$ (3.3V)	Ext. 0.5V to 1V	$2 \cdot V_{REF}$	$V_{REF}/2 + 1.5$	$1.5 - V_{REF}/2$

TABLE I. Reference Configuration.

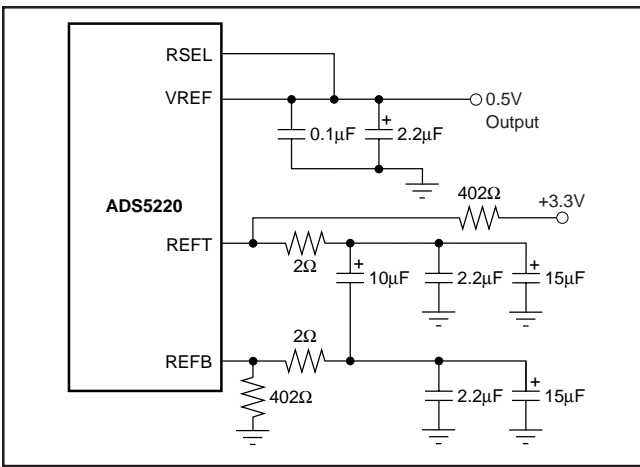


FIGURE 8. Internal Reference Mode for  $V_{REF} = 0.5V$ .

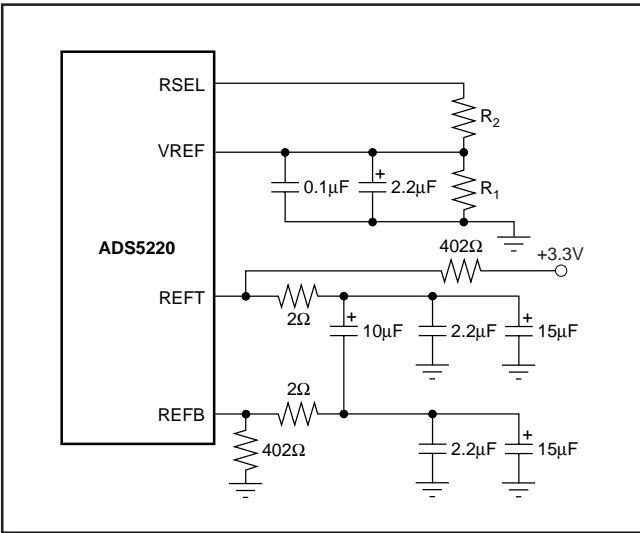


FIGURE 9. Internal Reference Mode for  $V_{REF} = 0.5 \cdot (1 + R_2/R_1)$ .

## EXTERNAL REFERENCE

For even more design flexibility, the ADS5220 can be operated with external references. Utilization of an external reference voltage may be considered for applications requiring higher accuracy, improved temperature stability, or flexible full-scale range. Particularly in multi-channel applications, the use of a common external reference offers the benefit of improving gain matching between converters. Setting RSEL to  $AV_{DD}$  (+3.3V) provides an external reference mode for the ADS5220. In this case, the internal  $V_{REF}$  amplifier is powered down, and the  $V_{REF}$  pin requires an external reference voltage between +0.5V to +1V to provide an input full-scale range of  $1V_{PP}$  to  $2V_{PP}$ . The REFT and REF will appear with the voltage as shown in Table I, and input FSR is always twice the voltage at the  $V_{REF}$  pin. A voltage reference (REF1004 or TPS79225) and a single-supply amplifier (OPA2234 or OPA4227) can be used to generate a precision external reference.

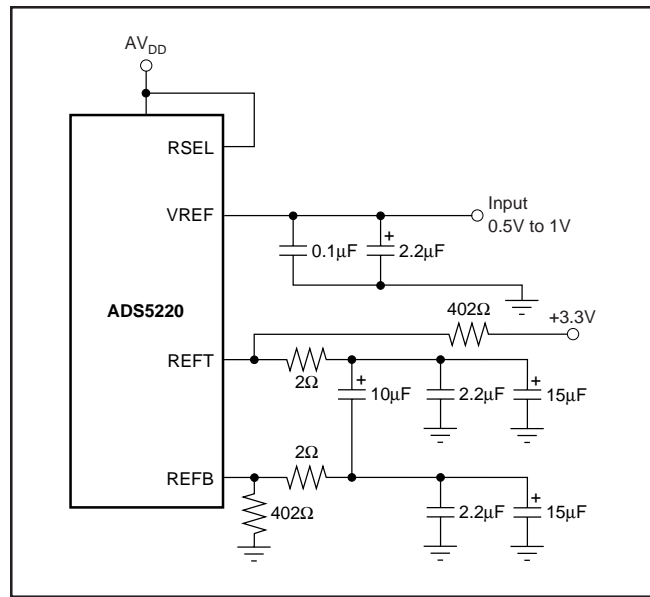


FIGURE 10. External Reference Configuration.

## DIGITAL OUTPUTS

### DATA OUTPUT FORMAT

The ADS5220 makes two data output formats available, either the Straight Offset Binary (SOB) code or the Binary Two's Complement (BTC) code. The selection of the output coding is controlled through the MSBI pin. Applying a logic high will enable the BTC coding, whereas a logic low will enable the SOB coding. In its default configurations the MSBI pin assumes a logic low level (internal pull-down) and the ADS5220 will operate with the SOB output coding. The two code structures are identical with one exception: the MSB is inverted for the BTC format, as shown in Table II. If the input signal exceeds the FSR, the output code will remain at all 1s or all 0s.

DIFFERENTIAL INPUT	STRAIGHT OFFSET BINARY (SOB)	BINARY TWO'S COMPLEMENT (BTC)
+FS - 1LSB (+FS: $I_N = 2V$ , $\bar{I}_N = 1V$ )	1111 1111 1111	0111 1111 1111
+1/2 FS ( $I_N = 1.75V$ , $\bar{I}_N = 1.25V$ )	1100 0000 0000	0100 0000 0000
Bipolar Zero ( $I_N = \bar{I}_N = 1.5V$ )	1000 0000 0000	0000 0000 0000
-1/2 FS ( $\bar{I}_N = 1.75V$ , $I_N = 1.25V$ )	0100 0000 0000	1100 0000 0000
-FS ( $\bar{I}_N = 2V$ , $I_N = 1V$ )	0000 0000 0000	1000 0000 0000

TABLE II. Coding Table for Differential Input Configuration with FSR of  $2V_{PP}$ .

## OUTPUT ENABLE ( $\overline{OE}$ )

The digital outputs including the OVR pin of the ADS5220 can be set to output enable or output high impedance (tri-state) by the  $\overline{OE}$  pin. For normal operation, this pin must be at a logic low (default is internal pull-down), whereas a logic high disables the outputs or sets the output tri-state.

## OUTPUT LOADING

It is recommended to keep the capacitive loading on the data output lines as low as possible, preferably below 10pF. Higher capacitive loading will cause larger dynamic currents as the digital outputs are changing. These high current surges can feed back to the analog portion of the ADC and adversely affect device performance. If necessary, external buffers or latches (for example, the SN74LVTH16374) close to the converter output pins can be used to minimize capacitive loading. Buffers or latches also provide the added benefit of isolating the ADS5220 from any digital activities on the bus to limit the high-frequency noise.

## OVER-RANGE INDICATOR

The ADS5220 has control functions for the input voltage over full-scale that includes output data code control and over-range indication. The output data code control of over full-scale is shown in Table II. In SOB format, for example, when the input voltage is (+FS – 1 LSB) or above this value, the ADS5220 outputs all 1s at 12 data bits; when the input voltage is –FS or below this value, the ADS5220 outputs all 0s at 12 data bits. When the input voltage is 0 (mid-scale) or only the common-mode voltage at the input, the ADS5220 outputs 1 at MSB and 0s at the remaining 11 data bits. Another over-range control function of the ADS5220 is over-range indication, which is output by the OVR pin. The OVR pin is the function of the reference voltage and the output data bits, and has the same pipeline delay as the output data bits. OVR is at logic low if the input voltage is within the FSR, and is at logic high if the input voltage is over full-scale or under full-scale. OVR changes from logic low to high or logic high to low immediately following the change of the output

data, when the input voltage changes from normal value to over FS or from over FS to normal value. The OVR signal remains high for as long as the input signal exceeds the input range limits of the ADS5220. The OVR pin is tri-stated by the use of the output enable pin ( $\overline{OE}$ ).

## TIMING

The ADS5220 samples the analog signal at the rising edge of its input clock, and outputs the digital data at the rising edge of the input clock after a pipeline delay of 5 clocks. There is an aperture delay (typically 3ns) between the sampling edge and the actual sampling time. There is also a propagation delay between the rising edge of the clock and the time that data is valid on the data bus (see the timing diagram on page 5). The output data of the ADS5220 is latched data.

# POWER SUPPLIES AND POWER DISSIPATION

## ANALOG AND DIGITAL POWER SUPPLY

The ADS5220 includes power-supply pins of  $AV_{DD}$ ,  $DV_{DD}$  and  $VDRV$ . The analog supply  $AV_{DD}$  and digital supply  $DV_{DD}$  is +3.3V. The digital output driver supply,  $VDRV$ , can be set between +2.5V and +3.3V.  $AV_{DD}$ ,  $DV_{DD}$  and  $VDRV$  are not tied together internally. Each of these supply pins must be bypassed separately with at least one 0.1 $\mu$ F ceramic chip capacitor. The analog supply ( $AV_{DD}$ ) and the digital supply ( $DV_{DD}$  or  $VDRV$ ) may be tied together externally with a ferrite bead or inductor between the supply pins. The ADS5220 is specified with the digital output driver supply,  $VDRV$ , set to +2.5V. It is highly recommended to consider linear supplies instead of switching types. Even with good filtering, switching supplies can radiate noise that could interfere with any high-frequency input signal and cause unwanted modulation products. The supply voltage should stay within the tolerance given in the specification table. A basic application configuration with the power supply decoupling is shown in Figure 11.

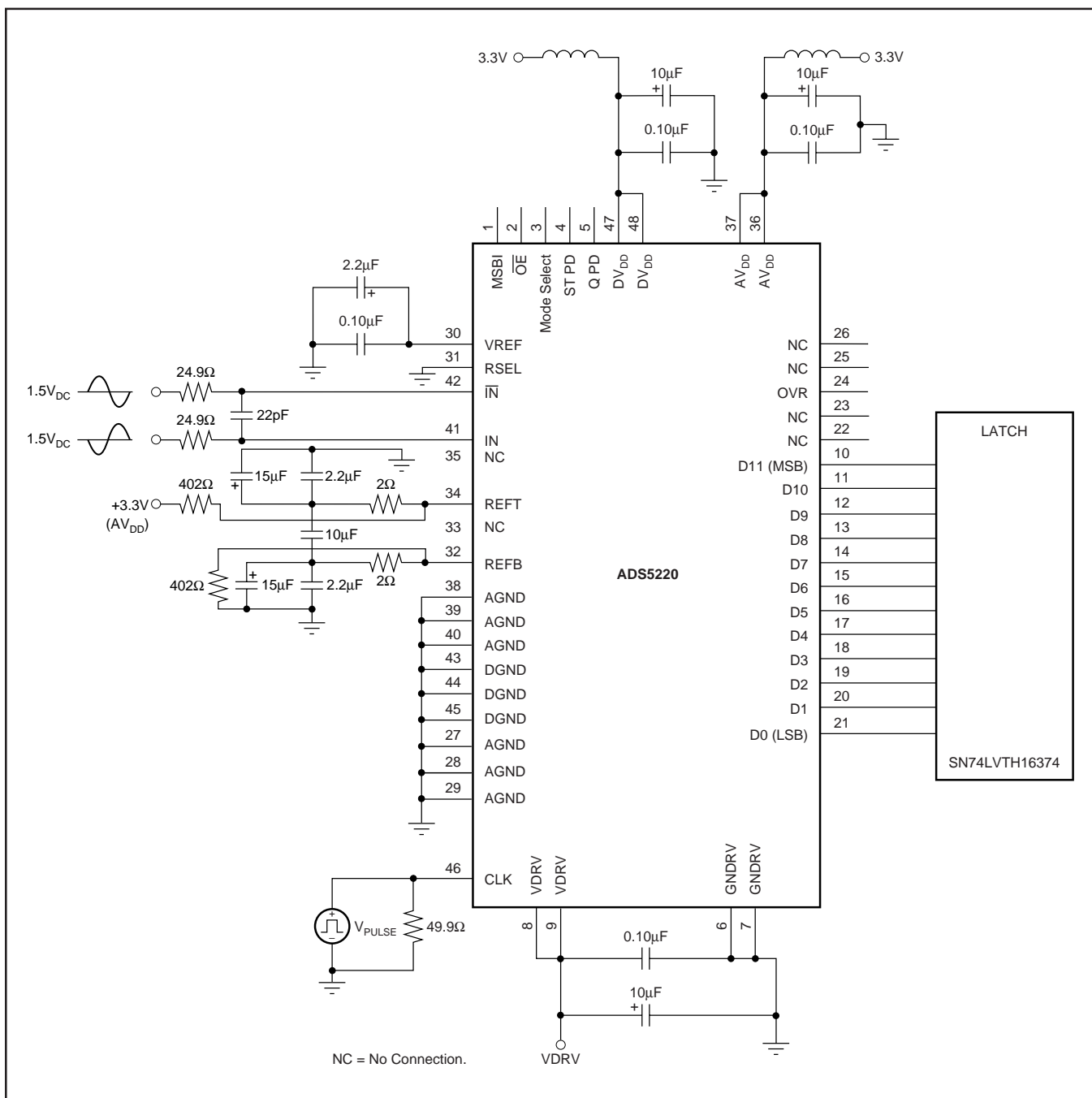


FIGURE 11. General Configuration for the ADS5220.

## POWER DISSIPATION

In normal operating mode (STPD = low and QPD = low), the typical total power dissipation of the ADS5220 is 195mW. The majority of the power consumption is due to biasing; therefore, this part of the total power dissipation is independent of the applied clock frequency. The current on the VDRV supply is directly related to the capacitive loading of the data output pins; care must be taken to minimize such loading.

## POWER DOWN

The ADS5220 provides two power-down modes for different application requirements. One is the Standard Power-Down (STPD); the second is the Quasi-Power-Down (QPD). Both pins will assume a logic low level (internal pull-down) and configure the ADS5220 for normal operation. Setting STPD to logic high (and QPD to logic low or high) will shut down the internal ADC core and power down the reference circuit. In



this case the power dissipation is typically 15mW. With 10 $\mu$ F external decoupling capacitor at REFT and REFB, it takes about 800 $\mu$ s to fully restore normal operation after the normal mode is enabled. Setting QPD to logic high (and STPD to logic low) will shut down the internal ADC core while the internal reference circuit power remains on. In this case, power dissipation is typically 75mW. It takes about 2 $\mu$ s to fully restore normal operation after the normal mode is enabled. During power-down, data in the converter pipeline will be lost and new valid data will be subject to the specified pipeline delay.

## LAYOUT AND DECOUPLING

Proper grounding and bypassing, short lead length, and the use of ground planes are particularly important for high-frequency designs. Achieving optimum performance with a fast sampling converter like the ADS5220 requires careful attention to the PC board layout in order to minimize the effect of board parasitics and optimize component placement. A multi-layer board usually ensures best results and allows convenient component placement. The ADS5220 must be treated as an analog component, and the AV<sub>DD</sub> pins connected to a clean analog supply. This ensures the most consistent results, because digital supplies often carry a high level of switching noise that could couple into the converter and degrade the performance. The driver supply pins (VDRV) must also be connected to a low-noise supply. Supplies of adjacent digital circuits can carry substantial current transients. The supply voltage must be thoroughly filtered before connecting to the VDRV supply of the converter. All ground connections on the ADS5220 are internally bonded to the metal flag (bottom of package) that forms a large ground plane. All ground pins must directly connect to an analog ground plane that covers the PC board area under the converter. Due to its high sampling frequency, the ADS5220 generates high frequency current transients and noise (clock feedthrough) that are fed back into the supply and reference lines. If not sufficiently bypassed, this adds noise to the conversion process. See Figure 11 for the recommended supply decoupling scheme for the ADS5220. All AV<sub>DD</sub> pins

should be bypassed with a combination of 0.1 $\mu$ F ceramic chip capacitors (0805, low ESR) and a 10 $\mu$ F tantalum tank capacitor. A similar approach may be used on the digital supply pins DV<sub>DD</sub> and driver supply pins, VDRV. In order to minimize the lead and trace inductance, the capacitors must be located as close to the supply pins as possible. They are best placed directly under the package where double-sided component mounting is allowed. In addition, larger bipolar decoupling capacitors (2.2 $\mu$ F to 10 $\mu$ F), effective at lower frequencies, may also be used on the main supply pins. They can be placed on the PC board in close proximity (< 0.5 inches) to the ADC. If the analog inputs to the ADS5220 are driven differentially, it is especially important to optimize towards a highly symmetrical layout. Small trace length differences can create phase shifts compromising a good distortion performance. For this reason, the use of two single op amps rather than one dual amplifier enables a more symmetrical layout and a better match of parasitic capacitances. The pin orientation of the ADS5220 package follows a flow-through design with the analog inputs located on one side of the package, whereas the digital outputs are located on the opposite side of the quad-flat package. This provides a good physical isolation between the analog and digital connections. While designing the layout, it is important to keep the analog signal traces separated from any digital lines to prevent noise coupling onto the analog portion. Try to match trace length for the differential clock signal (if used) to avoid mismatches in propagation delays. Single-ended clock lines must be short and should not cross any other signal traces. Short circuit traces on the digital outputs will minimize capacitive loading. Trace length must be kept short to the receiving gate (< 2 inches) with only one CMOS gate connected to one digital output. If possible, the digital data outputs should be buffered (with the TI SN74LTH16374, for example). Dynamic performance can also be improved with the insertion of series resistors at each data output line. This sets a defined time constant and reduces the slew rate that would otherwise flow as the fast edge rate. The resistor value may be chosen to give a time constant of 15% to 25% of the used data.

**PACKAGING INFORMATION**

Orderable Device	Status <sup>(1)</sup>	Package Type	Package Drawing	Pins	Package Qty	Eco Plan <sup>(2)</sup>	Lead/Ball Finish	MSL Peak Temp <sup>(3)</sup>
ADS5220PFBR	ACTIVE	TQFP	PFB	48	2500	None	CU NIPDAU	Level-2-220C-1 YEAR
ADS5220PFBT	ACTIVE	TQFP	PFB	48	250	None	CU NIPDAU	Level-2-220C-1 YEAR

<sup>(1)</sup> The marketing status values are defined as follows:

**ACTIVE:** Product device recommended for new designs.

**LIFEBUY:** TI has announced that the device will be discontinued, and a lifetime-buy period is in effect.

**NRND:** Not recommended for new designs. Device is in production to support existing customers, but TI does not recommend using this part in a new design.

**PREVIEW:** Device has been announced but is not in production. Samples may or may not be available.

**OBSOLETE:** TI has discontinued the production of the device.

<sup>(2)</sup> Eco Plan - May not be currently available - please check <http://www.ti.com/productcontent> for the latest availability information and additional product content details.

**None:** Not yet available Lead (Pb-Free).

**Pb-Free (RoHS):** TI's terms "Lead-Free" or "Pb-Free" mean semiconductor products that are compatible with the current RoHS requirements for all 6 substances, including the requirement that lead not exceed 0.1% by weight in homogeneous materials. Where designed to be soldered at high temperatures, TI Pb-Free products are suitable for use in specified lead-free processes.

**Green (RoHS & no Sb/Br):** TI defines "Green" to mean "Pb-Free" and in addition, uses package materials that do not contain halogens, including bromine (Br) or antimony (Sb) above 0.1% of total product weight.

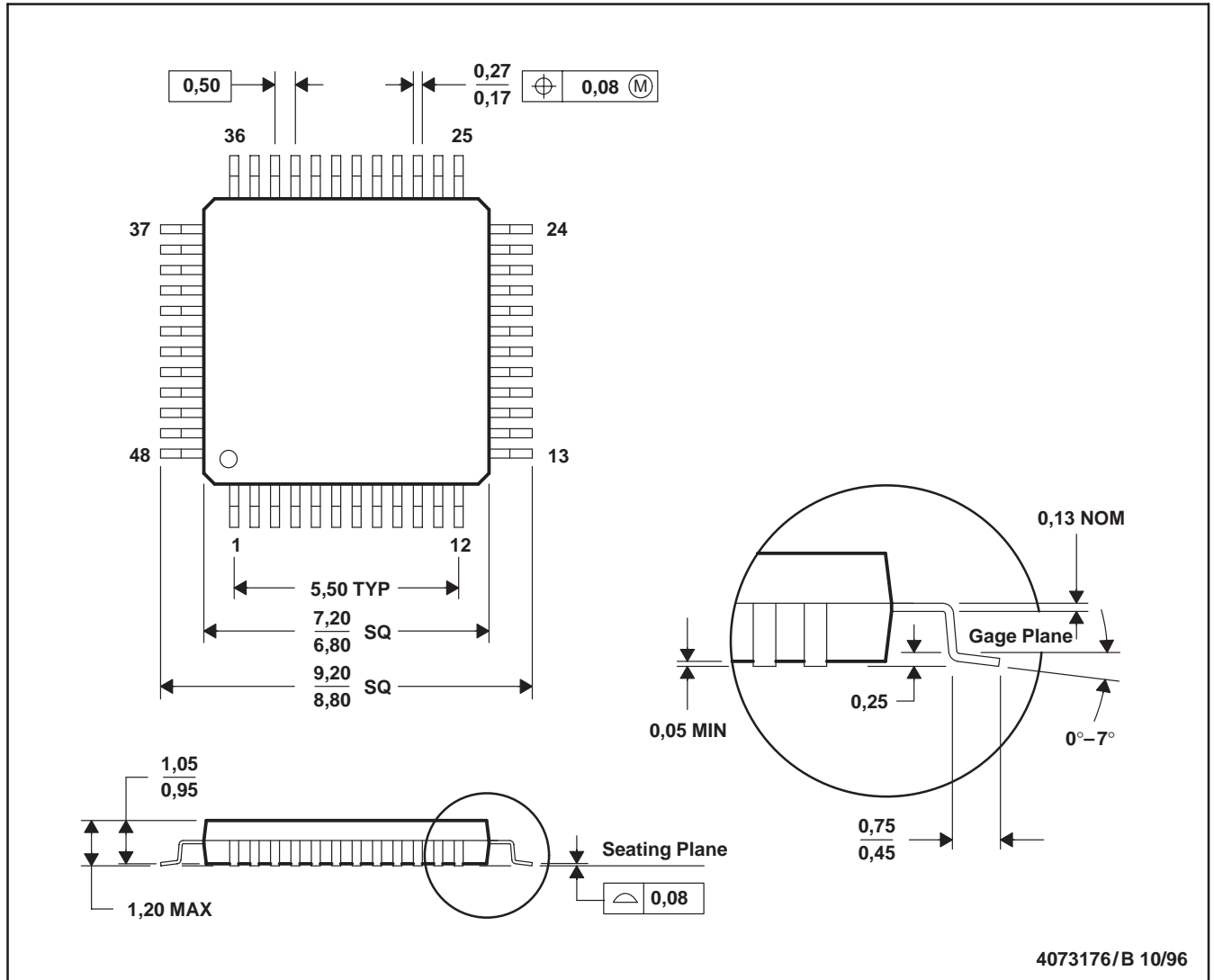
<sup>(3)</sup> MSL, Peak Temp. -- The Moisture Sensitivity Level rating according to the JEDEC industry standard classifications, and peak solder temperature.

**Important Information and Disclaimer:** The information provided on this page represents TI's knowledge and belief as of the date that it is provided. TI bases its knowledge and belief on information provided by third parties, and makes no representation or warranty as to the accuracy of such information. Efforts are underway to better integrate information from third parties. TI has taken and continues to take reasonable steps to provide representative and accurate information but may not have conducted destructive testing or chemical analysis on incoming materials and chemicals. TI and TI suppliers consider certain information to be proprietary, and thus CAS numbers and other limited information may not be available for release.

In no event shall TI's liability arising out of such information exceed the total purchase price of the TI part(s) at issue in this document sold by TI to Customer on an annual basis.

PFB (S-PQFP-G48)

PLASTIC QUAD FLATPACK



4073176/B 10/96

- NOTES: A. All linear dimensions are in millimeters.  
 B. This drawing is subject to change without notice.  
 C. Falls within JEDEC MS-026

## IMPORTANT NOTICE

Texas Instruments Incorporated and its subsidiaries (TI) reserve the right to make corrections, modifications, enhancements, improvements, and other changes to its products and services at any time and to discontinue any product or service without notice. Customers should obtain the latest relevant information before placing orders and should verify that such information is current and complete. All products are sold subject to TI's terms and conditions of sale supplied at the time of order acknowledgment.

TI warrants performance of its hardware products to the specifications applicable at the time of sale in accordance with TI's standard warranty. Testing and other quality control techniques are used to the extent TI deems necessary to support this warranty. Except where mandated by government requirements, testing of all parameters of each product is not necessarily performed.

TI assumes no liability for applications assistance or customer product design. Customers are responsible for their products and applications using TI components. To minimize the risks associated with customer products and applications, customers should provide adequate design and operating safeguards.

TI does not warrant or represent that any license, either express or implied, is granted under any TI patent right, copyright, mask work right, or other TI intellectual property right relating to any combination, machine, or process in which TI products or services are used. Information published by TI regarding third-party products or services does not constitute a license from TI to use such products or services or a warranty or endorsement thereof. Use of such information may require a license from a third party under the patents or other intellectual property of the third party, or a license from TI under the patents or other intellectual property of TI.

Reproduction of information in TI data books or data sheets is permissible only if reproduction is without alteration and is accompanied by all associated warranties, conditions, limitations, and notices. Reproduction of this information with alteration is an unfair and deceptive business practice. TI is not responsible or liable for such altered documentation.

Resale of TI products or services with statements different from or beyond the parameters stated by TI for that product or service voids all express and any implied warranties for the associated TI product or service and is an unfair and deceptive business practice. TI is not responsible or liable for any such statements.

Following are URLs where you can obtain information on other Texas Instruments products and application solutions:

<b>Products</b>		<b>Applications</b>	
Amplifiers	<a href="http://amplifier.ti.com">amplifier.ti.com</a>	Audio	<a href="http://www.ti.com/audio">www.ti.com/audio</a>
Data Converters	<a href="http://dataconverter.ti.com">dataconverter.ti.com</a>	Automotive	<a href="http://www.ti.com/automotive">www.ti.com/automotive</a>
DSP	<a href="http://dsp.ti.com">dsp.ti.com</a>	Broadband	<a href="http://www.ti.com/broadband">www.ti.com/broadband</a>
Interface	<a href="http://interface.ti.com">interface.ti.com</a>	Digital Control	<a href="http://www.ti.com/digitalcontrol">www.ti.com/digitalcontrol</a>
Logic	<a href="http://logic.ti.com">logic.ti.com</a>	Military	<a href="http://www.ti.com/military">www.ti.com/military</a>
Power Mgmt	<a href="http://power.ti.com">power.ti.com</a>	Optical Networking	<a href="http://www.ti.com/opticalnetwork">www.ti.com/opticalnetwork</a>
Microcontrollers	<a href="http://microcontroller.ti.com">microcontroller.ti.com</a>	Security	<a href="http://www.ti.com/security">www.ti.com/security</a>
		Telephony	<a href="http://www.ti.com/telephony">www.ti.com/telephony</a>
		Video & Imaging	<a href="http://www.ti.com/video">www.ti.com/video</a>
		Wireless	<a href="http://www.ti.com/wireless">www.ti.com/wireless</a>

Mailing Address: Texas Instruments  
Post Office Box 655303 Dallas, Texas 75265