

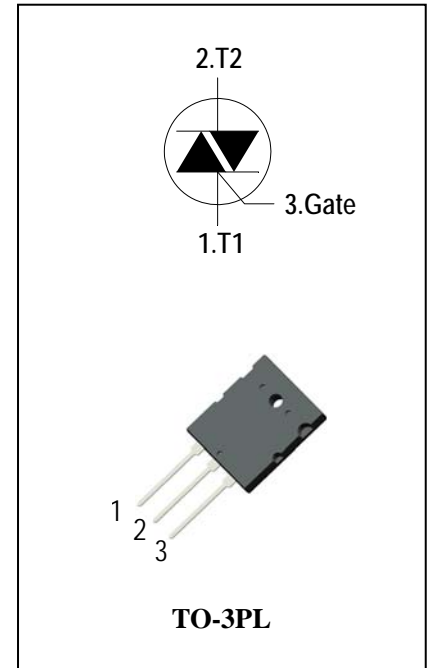
## 3 Quadrants Triacs

### General Description

High current density due to mesa technology . the ADS55C triac series is suitable for general purpose AC switching. They can be used as an ON/OFF function in applications such as static relays, heating regulation, High power motor controls ,Rectifier-fed DC inductive loads e.g.DC motors and solenoids , motor speed controllers.

### Features

- ◆ Repetitive Peak Off-State Voltage: 1000V/1200V/1600V
- ◆ R.M.S On-State Current (  $I_{T(RMS)} = 55A$  )
- ◆ High Commutation  $dv/dt$
- ◆ These Devices are Pb-Free and are RoHS Compliant



### Absolute Maximum Ratings

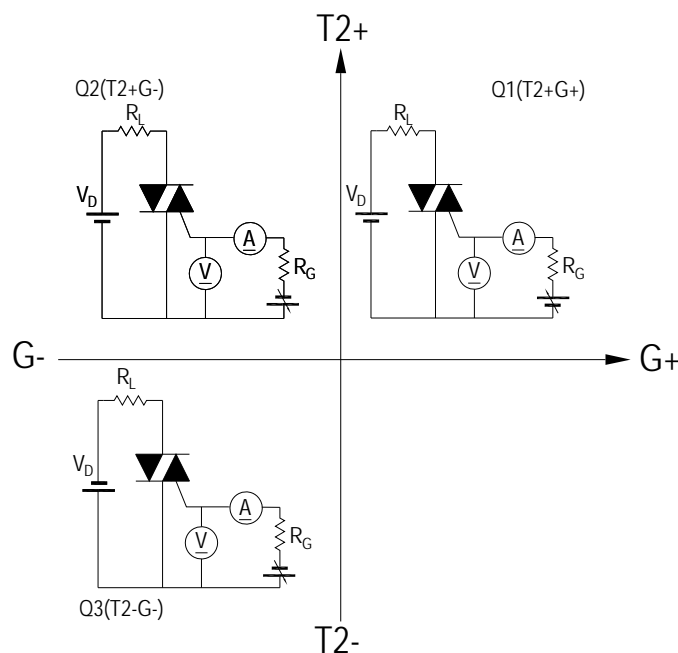
Symbol	Items	Conditions	Ratings	Unit
$V_{DRM}$ $V_{RRM}$	Repetitive Peak Off-State Voltage	$T_j = 25^\circ C$	ADS55C100L 1000	V
			ADS55C120L 1200	V
			ADS55C160L 1600	V
$I_{T(RMS)}$	R.M.S On-State Current	$T_C = 75^\circ C$	55	A
$I_{TSM}$	Surge On-State Current	$t_p = 20ms(50Hz)/t_p = 16.7ms(60Hz)$	550/590	A
$I^2t$	$I^2t$ for fusing	$t_p = 10ms$	1500	$A^2s$
$di/dt$	Critical rate of rise of on-state current	$F = 120 Hz$ $T_j = 125^\circ C$ $I_G = 2 \times I_{GT}$ , $t_r \leq 100 ns$	100	$A/\mu s$
$I_{GM}$	Peak Gate Current	$t_p = 20 \mu s$ $T_j = 125^\circ C$	8	A
$P_{G(AV)}$	Average Gate Power Dissipation( $T_j = 125^\circ C$ )		2	W
$P_{GM}$	Peak Gate Power Dissipation( $t_p = 20\mu s, T_j = 125^\circ C$ )		10	W
$T_j$	Operating Junction Temperature		- 40 ~ 125	$^\circ C$
$T_{STG}$	Storage Temperature		- 40 ~ 150	$^\circ C$



## Electrical Characteristics (T<sub>j</sub> = 25°C unless otherwise specified)

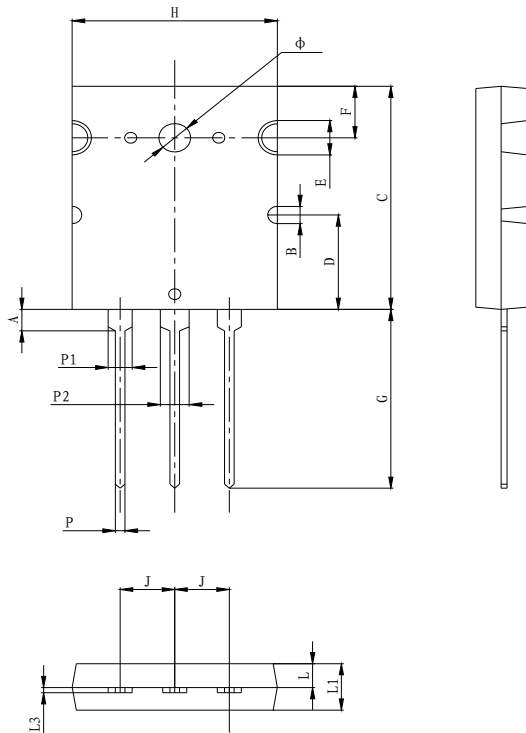
Symbol	Items	Conditions		ADS55C100L/120L/160L	Unit
I <sub>DRM</sub>	Peak Forward Reverse Blocking Current	V <sub>DRM</sub> = V <sub>RRM</sub> , T <sub>j</sub> = 25°C	Max.	50	uA
I <sub>RRM</sub>		V <sub>DRM</sub> = V <sub>RRM</sub> , T <sub>j</sub> = 125°C		8	mA
V <sub>TM</sub>	Peak On-State Voltage	I <sub>TM</sub> = 80A, t <sub>p</sub> = 380 μs	Max.	1.75	V
V <sub>GD</sub>	Q1-Q2-Q3 Non-Trigger Gate Voltage	V <sub>D</sub> = V <sub>DRM</sub> R <sub>L</sub> = 3.3 kΩ T <sub>j</sub> = 125°C	Min.	0.2	V
V <sub>GT</sub>	Q1-Q2-Q3 Gate Trigger Voltage	V <sub>D</sub> = 12V , R <sub>L</sub> = 33Ω	Max.	1.3	V
I <sub>GT</sub>	Q1-Q2-Q3 Gate Trigger Current		Max.	50	mA
I <sub>H</sub>	Q1-Q2-Q3 Holding Current	I <sub>T</sub> = 0.5A	Max.	75	mA
I <sub>L</sub>	Q1-Q3 Latching Current	I <sub>G</sub> = 1.2 I <sub>GT</sub>	Max.	90	mA
	Q2			120	
dV/dt	Critical Rate of Rise of Off-State Voltage	V <sub>D</sub> = 2/3V <sub>DRM</sub> gate open T <sub>j</sub> = 125°C	Min.	1000	V/μs
(dV/dt) <sub>c</sub>	Critical Rate of Change of Commutating Voltage	(dI/dt) <sub>c</sub> = -22A/ms T <sub>j</sub> = 125°C	Min.	20	V/μs
R <sub>th(j-c)</sub>	Junction to case (AC)		Max.	0.4	°C/W
R <sub>th(j-a)</sub>	Junction to ambient		Max.	40	°C/W

FIG.1: Triac quadrant are defined and the gate trigger test circuit



## PACKAGE MECHANICAL DATA

### TO-3PL Package Dimension



Symbol	Dimensions In Millimeters		Dimensions In Inches	
	Min	Max	Min	Max
A	2.40TYP		0.095TYP	
B	1.92TYP		0.075TYP	
C	24.56	25.46	0.967	1.002
E	3.84TYP		0.151 TYP	
F	5.76TYP		0.227 TYP	
G	19.70	20.30	0.775	0.799
H		20.05		0.789
J	54.35	54.65	2.139	2.151
P1	2.40TYP		0.094 TYP	
P2	2.88TYP		0.113 TYP	
P	0.71	1.26	0.028	0.049
L1	2.67TYP		0.105	
L		5.20		0.204
L3	0.58TYP		0.022 TYP	
Φ	3.17TYP		0.124 TYP	

## Making Diagram

**ADV**: Logo  
**ADS55C120L**: Part number  
**X**: Internal control code  
**H**: Halogen Free

**AD S 55 C 120 L**

**ADVANCED**  
 Internal control code  
 Current: 55=55A  
 Quadrant: C=3Q  
 Voltage: 100=1000V 120=1200V  
           160=1600V  
 Package explain: L=TO-3PL

## Ordering information

Part number	Package	Marking	Packing	Quantity
ADS55C100L	TO-3PL	ADS55C100L	Tube	25pcs
ADS55C120L	TO-3PL	ADS55C120L	Tube	25pcs
ADS55C160L	TO-3PL	ADS55C160L	Tube	25pcs

### Notice

1. All information included in this document such as product data, diagrams, charts, programs, algorithms, and application circuit examples, is current as of the date this document is issued. Such information, however, is subject to change without any prior notice. Before purchasing or using any ADV products listed in this document, please confirm the latest product information with a ADV sales office. Also, please pay regular and careful attention to additional and different information to be disclosed by ADV such as that disclosed through our website. (<http://www.advsemi.com> )
2. ADV has used reasonable care in compiling the information included in this document, but ADV assumes no liability whatsoever for any damages incurred as a result of errors or omissions in the information included in this document.
3. You should use the products described herein within the range specified by ADV, especially with respect to the maximum rating, operating supply voltage range, movement power voltage range, heat radiation characteristics, installation and other product characteristics. ADV shall have no liability for malfunctions or damages arising out of the use of ADV products beyond such specified ranges.
4. When using or otherwise relying on the information in this document, you should evaluate the information in light of the total system before deciding about the applicability of such information to the intended application. ADV makes no representations, warranties or guaranties regarding the suitability of its products for any particular application and specifically disclaims any liability arising out of the application and use of the information in this document or ADV products.
5. Although ADV endeavors to improve the quality and reliability of its products, IC products have specific characteristics such as the occurrence of failure at a certain rate and malfunctions under certain use conditions. Please be sure to implement safety measures to guard against the possibility of physical injury, and injury or damage caused by fire in the event of the failure of a ADV product, such as safety design for hardware and software including but not limited to redundancy, fire control and malfunction prevention, appropriate treatment for aging degradation or any other applicable measures. Among others, since the evaluation of microcomputer software alone is very difficult, please evaluate the safety of the final products or system manufactured by you.
6. This document is provided for reference purposes only so that ADV customers may select the appropriate ADV products for their use. ADV neither makes warranties or representations with respect to the accuracy or completeness of the information contained in this document nor grants any license to any intellectual property rights or any other rights of ADV or any third party with respect to the information in this document.
7. ADV shall have no liability for damages or infringement of any intellectual property or other rights arising out of the use of any information in this document, including, but not limited to, product data, diagrams, charts, programs, algorithms, and application circuit examples.
8. This document may not be reproduced or duplicated, in any form, in whole or in part, without prior written approval from ADV.