



Mixed Signal DSP Controller

Preliminary Technical Data

ADSP-21990

MIXED SIGNAL DSP CONTROLLER FEATURES

ADSP-219x, 16-bit, Fixed Point DSP Core with up to 160 MIPS sustained performance

8K Words of On chip RAM, Configured as 4K Words On chip 24-bit Program RAM and 4K Words On chip 16-bit Data RAM

External Memory Interface

Dedicated Memory DMA Controller for Data/Instruction Transfer between Internal/External Memory

Programmable PLL and Flexible Clock Generation Circuitry Enables Full speed Operation from Low speed Input Clocks

IEEE JTAG Standard 1149.1 Test Access Port Supports On chip Emulation and System Debugging

8-Channel, 20 MSPS, 14-bit Analog to Digital Converter System

Three Phase 16-bit Center Based PWM Generation Unit with 12.5 ns resolution

Dedicated 32-bit Encoder Interface Unit with Companion Encoder Event Timer

Dual 16-bit Auxiliary PWM Outputs

16 General Purpose Flag I/O Pins

Three Programmable 32-bit Interval Timers

SPI Communications Port with Master or Slave Operation

Synchronous Serial Communications Port (SPORT) Capable of Software UART Emulation

Integrated Watchdog Timer

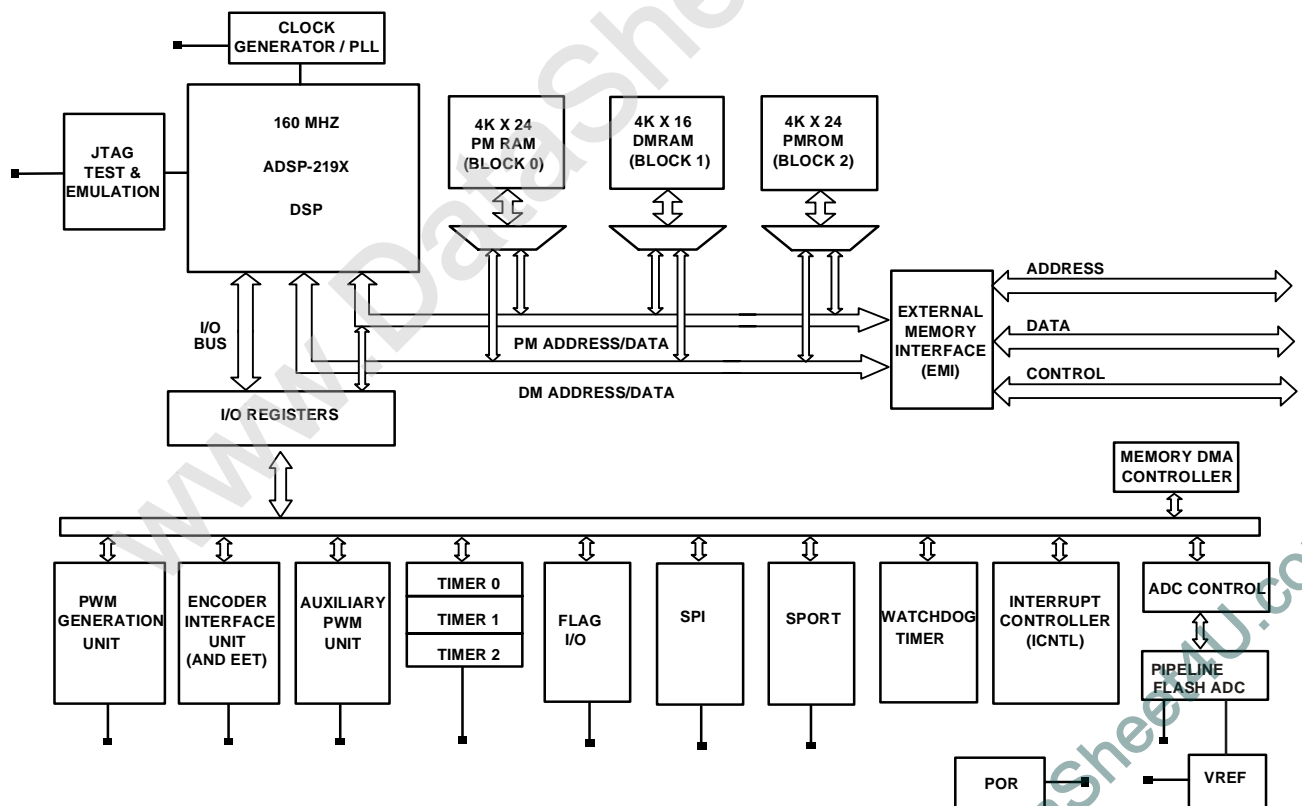
Dedicated Peripheral Interrupt Controller with Software Priority Control

Multiple Boot Modes

Precision 1.0V Voltage Reference

Integrated Power-On-Reset (POR) Generator

FUNCTIONAL BLOCK DIAGRAM



REV. PrA

This information applies to a product under development. Its characteristics and specifications are subject to change without notice. Analog Devices assumes no obligation regarding future manufacturing unless otherwise agreed to in writing.

One Technology Way, P.O. Box 9106, Norwood, MA 02062-9106, U.S.A.

Tel: 781/329-4700

Fax: 781/326-8703

www.analog.com

©Analog Devices, Inc., 2002

ADSP-21990

For current information contact Analog Devices at (781) 937-1799

February 2002

Flexible Power Management with Selectable Powerdown and Idle Modes
2.5V Internal Operation with 3.3V I/O
Operating Temperature Range of -40°C to 85°C
196 ball mini-BGA package

TARGET APPLICATIONS

Industrial Motor Drives
Un-Interruptible Power Supplies
Optical Networking Control
Data Acquisition Systems
Test and Measurement Systems
Portable Instrumentation

GENERAL NOTE

This data sheet provides preliminary information for the ADSP-21990 Mixed Signal Digital Signal Processor.

GENERAL DESCRIPTION

The ADSP-21990 is a mixed signal DSP controller based on the ADSP-219x DSP Core, suitable for a variety of high performance Industrial Motor Control and Signal Processing applications that require the combination of a high performance DSP and the mixed signal integration of embedded control peripherals such as analog to digital conversion.

The ADSP-21990 integrates the 160 MIPS, fixed point ADSP-219x family base architecture with a serial port, an SPI compatible port, a DMA controller, three programmable timers, general purpose Programmable Flag pins, extensive interrupt capabilities, on chip program and data memory spaces, and a complete set of embedded control peripherals that permits fast motor control and signal processing in a highly integrated environment.

The ADSP-21990 architecture is code compatible with previous ADSP-217x based ADMCxxx products. Although the architectures are compatible, the ADSP-21990, with ADSP-219x architecture, has a number of enhancements over earlier architectures. The enhancements to computational units, data address generators, and program sequencer make the ADSP-21990 more flexible and easier to program than the previous ADSP-21xx embedded DSPs.

Indirect addressing options provide addressing flexibility—premodify with no update, pre- and post-modify by an immediate 8-bit, two's complement value and base address registers for easier implementation of circular buffering.

The ADSP-21990 integrates 8K words of on chip memory configured as 4K words (24-bit) of program RAM, and 4K words (16-bit) of data RAM.

Fabricated in a high speed, low power, CMOS process, the ADSP-21990 operates with a 6.25 ns instruction cycle time (160 MIPS). All instructions, except two multiword instructions, execute in a single DSP cycle.

The ADSP-21990's flexible architecture and comprehensive instruction set support multiple operations in parallel. For example, in one processor cycle, the ADSP-21990 can:

- Generate an address for the next instruction fetch
- Fetch the next instruction
- Perform one or two data moves
- Update one or two data address pointers
- Perform a computational operation

These operations take place while the processor continues to:

- Receive and transmit data through the serial port
- Receive or transmit data over the SPI port
- Access external memory through the external memory interface
- Decrement the timers
- Operate the embedded control peripherals (ADC, PWM, EIU, etc.)

DSP Core Architecture

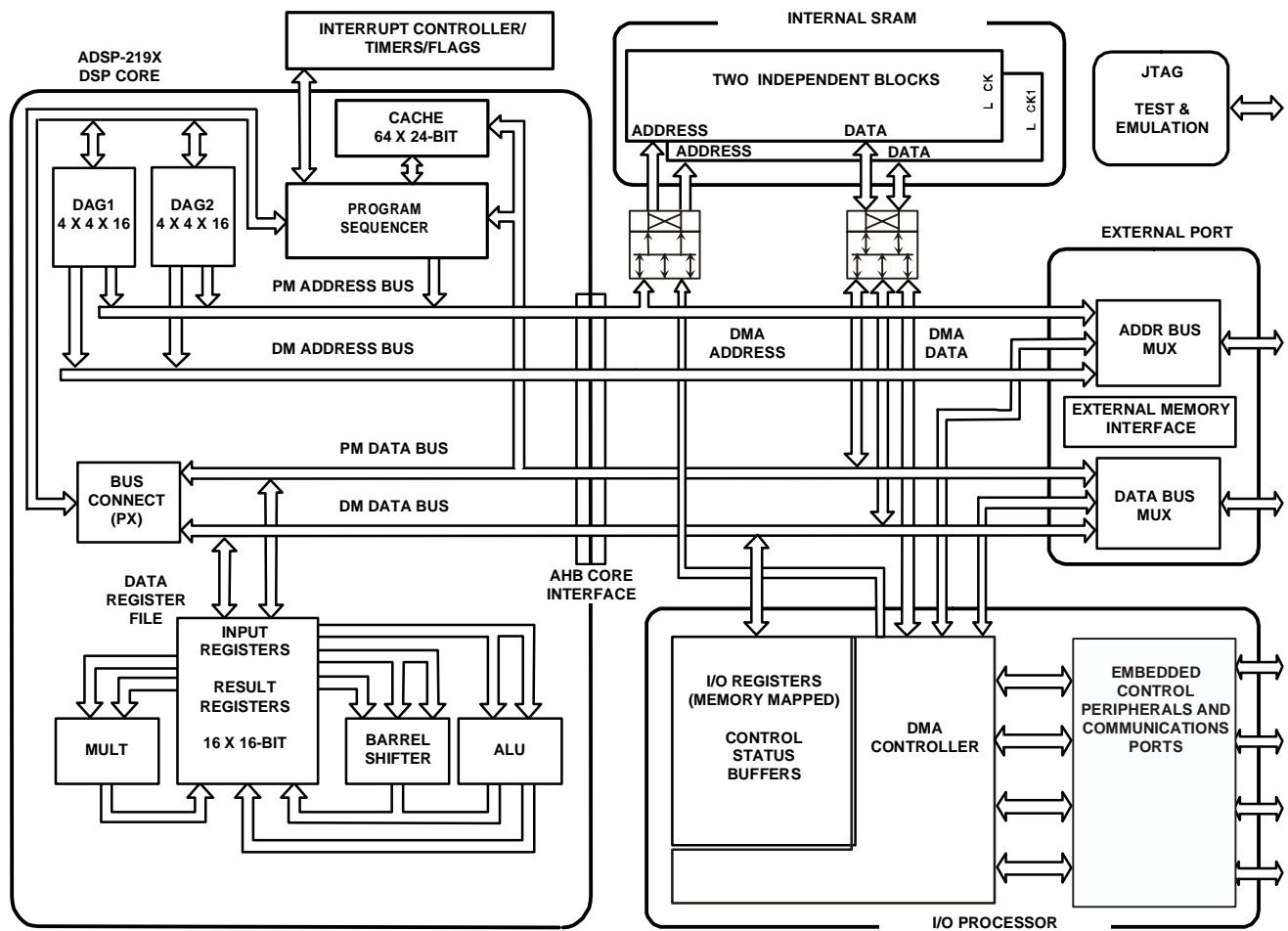


Figure 1. ADSP-21990 DSP Block Diagram

- 6.25 ns instruction cycle time (internal), for up to 160 MIPS sustained performance
- ADSP-218x family code compatible with the same easy to use algebraic syntax
- Single cycle instruction execution
- Up to 1 Mwords of addressable memory space with twenty four bits of addressing width
- Dual purpose program memory for both instruction and data storage
- Fully transparent Instruction Cache allows dual operand fetches in every instruction cycle
- Unified memory space permits flexible address generation, using two independent DAG units
- Independent ALU, Multiplier/Accumulator, and barrel Shifter computational units with dual 40-bit accumulators
- Single cycle context switch between two sets of computational and DAG registers
- Parallel execution of computation and memory instructions
- Pipelined architecture supports efficient code execution at speeds up to 160 MIPS
- Register file computations with all non-conditional, non-parallel computational instructions
- Powerful Program Sequencer provides zero overhead looping and conditional instruction execution
- Architectural enhancements for compiled C code efficiency
- Architecture enhancements beyond ADSP-218x family are supported with instruction set extensions for added registers, ports, and peripherals.

The clock generator module of the ADSP-21990 includes Clock Control logic that allows the user to select and change the main clock frequency. The module generates two output clocks; the DSP core clock, CCLK, and the peripheral clock, HCLK. CCLK can sustain clock values of up to 160 MHz, while HCLK can be equal to CCLK or CCLK/2 for values up to a maximum 80MHz peripheral clock.

The ADSP-21990 instruction set provides flexible data moves and multifunction (one or two data moves with a computation) instructions. Every single word instruction can be executed in a single processor cycle. The ADSP-21990 assembly language uses an algebraic syntax for ease of coding and readability. A comprehensive set of development tools supports program development.

The block diagram [Figure 1](#) shows the architecture of the embedded ADSP-219x core. It contains three independent computational units: the ALU, the multiplier/accumulator (MAC), and the shifter. The computational units process 16-bit data from the register file and have provisions to support multiprecision computations. The ALU performs a standard set of arithmetic and logic operations; division primitives are also supported. The MAC performs single cycle multiply, multiply/add, and multiply/subtract operations. The MAC has two 40-bit accumulators, which help with overflow. The shifter performs logical and arithmetic shifts, normalization, denormalization, and derive exponent operations. The shifter can be used to efficiently implement numeric format control, including multiword and block floating point representations.

Register usage rules influence placement of input and results within the computational units. For most operations, the computational units' data registers act as a data register file, permitting any input or result register to provide input to any unit for a computation. For feedback operations, the computational units let the output (result) of any unit be input to any unit on the next cycle. For conditional or multifunction instructions, there are restrictions on which data registers may provide inputs or receive results from each computational unit. For more information, see the *ADSP-219x DSP Instruction Set Reference*.

A powerful program sequencer controls the flow of instruction execution. The sequencer supports conditional jumps, subroutine calls, and low interrupt overhead. With internal loop counters and loop stacks, the ADSP-21990 executes looped code with zero overhead; no explicit jump instructions are required to maintain loops.

Two data address generators (DAGs) provide addresses for simultaneous dual operand fetches (from data memory and program memory). Each DAG maintains and updates four 16-bit address pointers. Whenever the pointer is used to access data (indirect addressing), it is pre- or post-modified by the value of one of four possible modify registers. A length value and base address may be associated with each pointer to implement automatic modulo addressing for circular

buffers. Page registers in the DAGs allow circular addressing within 64K word boundaries of each of the 256 memory pages, but these buffers may not cross page boundaries. Secondary registers duplicate all the primary registers in the DAGs; switching between primary and secondary registers provides a fast context switch.

Efficient data transfer in the core is achieved with the use of internal buses:

- Program Memory Address (PMA) Bus
- Program Memory Data (PMD) Bus
- Data Memory Address (DMA) Bus
- Data Memory Data (DMD) Bus
- Direct Memory Access Address Bus
- Direct Memory Access Data Bus

The two address buses (PMA and DMA) share a single external address bus, allowing memory to be expanded off chip, and the two data buses (PMD and DMD) share a single external data bus. Boot memory space and I/O memory space also share the external buses.

Program memory can store both instructions and data, permitting the ADSP-21990 to fetch two operands in a single cycle, one from program memory and one from data memory. The DSP's dual memory buses also let the embedded ADSP-219x core fetch an operand from data memory and the next instruction from program memory in a single cycle.

Memory Architecture

The ADSP-21990 provides 8K words of on chip SRAM memory. This memory is divided into two blocks; a 4K x 24-bit (block 0) and a 4K x 16-bit (block 1). In addition, the ADSP-21990 provides a 4k x 24-bit block of program memory boot ROM (that is reserved by ADI for boot load routines). The memory map of the ADSP-21990 is illustrated in [Figure 2](#).

As shown in [Figure 2](#), the two internal memory RAM blocks reside in memory page 0. The entire DSP memory map consists of 256 pages (pages 0 to 255), and each page is 64 kWords long. External memory space consists of four memory banks (banks 0-3) and supports a wide variety of memory devices. Each bank is selectable using unique memory select lines ($\overline{MS3} - \overline{MS0}$) and has configurable page boundaries, wait states, and wait state modes. The 4K words of on chip boot ROM populates the top of page 255, while the remaining 254 pages are addressable off chip. I/O memory pages differ from external memory in that they are 1K word long, and the external I/O pages have their own select pin (\overline{IOMS}). Pages 0-31 of I/O memory space reside on chip and contain the configuration registers for the peripherals. Both the ADSP_219x core and DMA capable peripherals can access the DSP's entire memory map.

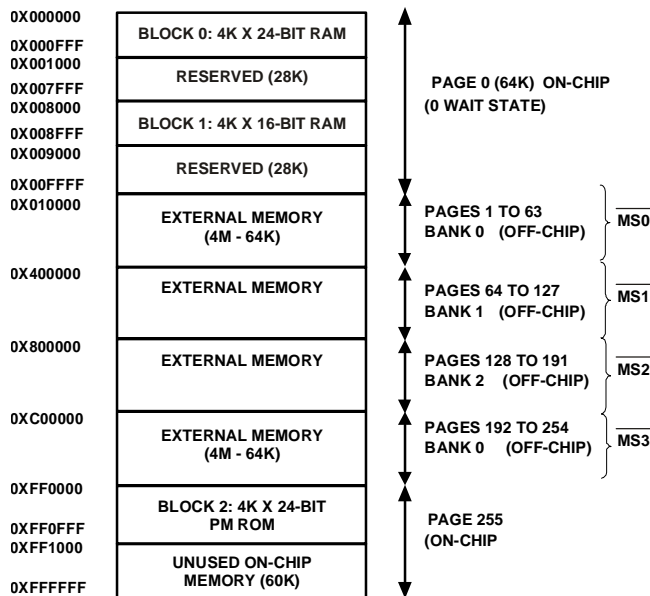


Figure 2. ADSP-21990 DSP Core Memory Map at Reset

NOTE: The physical external memory addresses are limited by 20 address lines, and are determined by the external data width and packing of the external memory space. The Strobe signals (MS3 - 0) can be programmed to allow the user to change starting page addresses at run time.

Internal (On chip) Memory

The ADSP-21990's unified program and data memory space consists of 16M locations that are accessible through two 24-bit address buses, the PMA and DMA buses. The DSP uses slightly different mechanisms to generate a 24-bit address for each bus. The DSP has three functions that support access to the full memory map.

- The DAGs generate 24-bit addresses for data fetches from the entire DSP memory address range. Because DAG index (address) registers are 16 bits wide and hold the lower 16 bits of the address, each of the DAGs has its own 8-bit page register (DMPGx) to hold the most significant eight address bits. Before a DAG generates an address, the program must set the DAG's DMPGx register to the appropriate memory page. The DMPG1 register is also used as a page register when accessing external memory. The program must set DMPG1 accordingly, when accessing data variables in external memory. A 'C' program macro is provided for setting this register.
- The Program Sequencer generates the addresses for instruction fetches. For relative addressing instructions, the program sequencer bases addresses for relative jumps, calls, and loops on the 24-bit Program Counter (PC). In direct addressing instructions (two word instructions),

the instruction provides an immediate 24-bit address value. The PC allows linear addressing of the full 24-bit address range.

- For indirect jumps and calls that use a 16-bit DAG address register for part of the branch address, the Program Sequencer relies on an 8-bit Indirect Jump page (IJPg) register to supply the most significant eight address bits. Before a cross page jump or call, the program must set the program sequencer's IJPg register to the appropriate memory page.

The ADSP-21990 has 4K word of on chip ROM that holds boot routines. The DSP starts executing instructions from the on chip boot ROM, which starts the boot process. For more information, see [Booting Modes on page 13](#). The on chip boot ROM is located on Page 255 in the DSP's memory space map, starting at address 0xFF0000.

External (Off Chip) Memory

Each of the ADSP-21990's off chip memory spaces has a separate control register, so applications can configure unique access parameters for each space. The access parameters include read and write wait counts, wait state completion mode, I/O clock divide ratio, write hold time extension, strobe polarity, and data bus width. The core clock and peripheral clock ratios influence the external memory access strobe widths. For more information, see [Clock Signals on page 12](#). The off chip memory spaces are:

- External memory space ($\overline{MS3-0}$ pins)
- I/O memory space (\overline{IOMS} pin)
- Boot memory space (\overline{BMS} pin)

All of these off chip memory spaces are accessible through the External Port, which can be configured for 8-bit or 16-bit data widths.

External Memory Space

External memory space consists of four memory banks. These banks can contain a configurable number of 64 k Word pages. At reset, the page boundaries for external memory have Bank0 containing pages 1 to 63, Bank1 containing pages 64 to 127, Bank2 containing pages 128 to 191, and Bank3 containing pages 192 to 254. The $\overline{MS3-MS0}$ memory bank pins select Banks 3-0, respectively. Both the ADSP-219x core and DMA capable peripherals can access the DSP's external memory space.

All accesses to external memory are managed by the External Memory Interface Unit (EMI).

I/O Memory Space

The ADSP-21990 supports an additional external memory called I/O memory space. The IO space consists of 256 pages, each containing 1024 addresses. This space is designed to support simple connections to peripherals (such as data converters and external registers) or to bus interface ASIC data registers. The first 32K addresses (IO pages 0 to 31) are reserved for on chip peripherals. The upper 224k

ADSP-21990

For current information contact Analog Devices at (781) 937-1799

February 2002

addresses (IO pages 32 to 255) are available for external peripheral devices. External I/O pages have their own select pin ($\overline{\text{IOMS}}$). The DSP instruction set provides instructions for accessing I/O space.

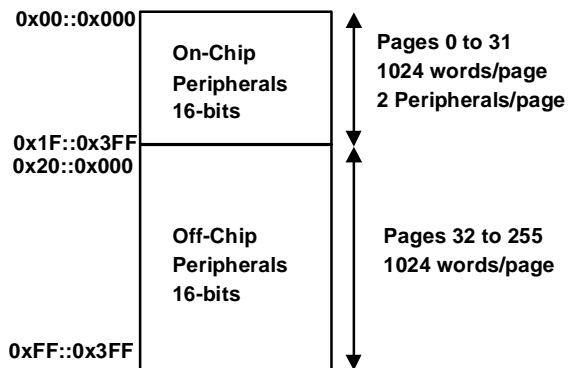


Figure 3. ADSP-21990 I/O Memory Map

Boot Memory Space

Boot memory space consists of one off chip bank with 254 pages. The $\overline{\text{BMS}}$ memory bank pin selects boot memory space. Both the ADSP-219x core and DMA capable peripherals can access the DSP's off chip boot memory space. After reset, the DSP always starts executing instructions from the on chip boot ROM.

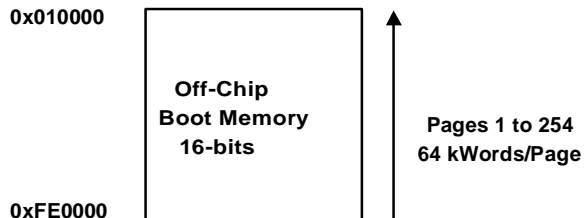


Figure 4. ADSP-21990 Boot Memory Map

Bus Request and Bus Grant

The ADSP-21990 can relinquish control of the data and address buses to an external device. When the external device requires access to the bus, it asserts the bus request ($\overline{\text{BR}}$) signal. The ($\overline{\text{BR}}$) signal is arbitrated with core and peripheral requests. External Bus requests have the lowest priority. If no other internal request is pending, the external bus request will be granted. Due to synchronizer and arbi-

tration delays, bus grants will be provided with a minimum of three peripheral clock delays. The ADSP-21990 will respond to the bus grant by:

- Three staving the data and address buses and the $\overline{\text{MS3-0}}$, $\overline{\text{BMS}}$, $\overline{\text{IOMS}}$, $\overline{\text{RD}}$, and $\overline{\text{WR}}$ output drivers.
- Asserting the bus grant ($\overline{\text{BG}}$) signal.

The ADSP-21990 will halt program execution if the bus is granted to an external device and an instruction fetch or data read/write request is made to external general purpose or peripheral memory spaces. If an instruction requires two external memory read accesses, the bus will not be granted between the two accesses. If an instruction requires an external memory read and an external memory write access, the bus may be granted between the two accesses. The external memory interface can be configured so that the core will have exclusive use of the interface. DMA and Bus Requests will be granted. When the external device releases $\overline{\text{BR}}$, the DSP releases $\overline{\text{BG}}$ and continues program execution from the point at which it stopped.

The bus request feature operates at all times, even while the DSP is booting and $\overline{\text{RESET}}$ is active.

The ADSP-21990 asserts the $\overline{\text{BGH}}$ pin when it is ready to start another external port access, but is held off because the bus was previously granted. This mechanism can be extended to define more complex arbitration protocols for implementing more elaborate multimaster systems.

DMA Controller

The ADSP-21990 has a DMA controller that supports automated data transfers with minimal overhead for the DSP core. Cycle stealing DMA transfers can occur between the ADSP-21990's internal memory and any of its DMA capable peripherals. Additionally, DMA transfers can be accomplished between any of the DMA capable peripherals and external devices connected to the external memory interface. DMA capable peripherals include the SPORT and SPI ports, and ADC Control module. Each individual DMA capable peripheral has a dedicated DMA channel. To describe each DMA sequence, the DMA controller uses a set of parameters—called a DMA descriptor. When successive DMA sequences are needed, these DMA descriptors can be linked or chained together, so the completion of one DMA sequence auto initiates and starts the next sequence. DMA sequences do not contend for bus access with the DSP core, instead DMAs “steal” cycles to access memory.

All DMA transfers use the DMA bus shown in [Figure 1 on page 3](#). Because all of the peripherals use the same bus, arbitration for DMA bus access is needed. The arbitration for DMA bus access appears in [Table 1](#).

Table 1. I/O Bus Arbitration Priority

DMA Bus Master	Arbitration Priority
SPORT Receive DMA	0—Highest
SPORT Transmit DMA	1
ADC Control DMA	2
SPI0 Receive/Transmit DMA	3
Memory DMA	4—Lowest

DSP Peripherals Architecture

The ADSP-21990 contains a number of special purpose, embedded control peripherals, which can be seen in the Functional Block diagram on page 1. The ADSP-21990 contains a high performance, 8-channel, 14-bit ADC system with dual channel simultaneous sampling ability across 4 pairs of inputs. An internal precision voltage reference is also available as part of the ADC system. In addition, a three phase, 16-bit, center based PWM generation unit can be used to produce high accuracy PWM signals with minimal processor overhead. The ADSP-21990 also contains a flexible incremental encoder interface unit for position sensor feedback; two adjustable frequency auxiliary PWM outputs, 16 lines of digital I/O; a 16-bit watchdog timer; three general purpose timers and an interrupt controller that manages all peripheral interrupts. Finally, the ADSP-21990 contains an integrated power-on-reset (POR) circuit that can be used to generate the required reset signal for the device on power-on.

The ADSP-21990 has an external memory interface that is shared by the DSP's core, the DMA controller, and DMA capable peripherals, which include the ADC, SPORT, and SPI communication ports. The external port consists of a 16-bit data bus, a 20-bit address bus, and control signals. The data bus is configurable to provide an 8 or 16 bit interface to external memory. Support for word packing lets the DSP access 16- or 24-bit words from external memory regardless of the external data bus width.

The memory DMA controller lets the ADSP-21990 move data and instructions from between memory spaces: internal-to-external, internal-to-internal, and external-to-external. On chip peripherals can also use this controller for DMA transfers.

The embedded ADSP-219x core can respond to up to seventeen interrupts at any given time: three internal (stack, emulator kernel, and power down), two external (emulator and reset), and twelve user defined (peripherals) interrupts. Programmers assign each of the 32 peripheral interrupt requests to one of the 12 user defined interrupts. These assignments determine the priority of each peripheral for interrupt service.

The following sections provide a functional overview of the ADSP-21990 peripherals.

Serial Peripheral Interface (SPI) Port

The Serial Peripheral Interface (SPI) Port provides functionality for a generic configurable serial port interface based on the SPI standard, which enables the DSP to communicate with multiple SPI compatible devices. Key features of the SPI port are:

- Interface to host microcontroller or serial EEPROM
- Master or slave operation (3 Wire Interface MISO, MOSI, SCK)
- Data rates to 20 Mbaud (16-bit baud rate selector)
- 8 or 16-bit transfer
- Programmable clock phase & polarity
- Broadcast Mode - 1 master, multiple slaves
- DMA capability & Dedicated interrupts
- PF0 can be used as Slave Select Input Line
- PF1-PF7 can be used as external Slave Select output

SPI is a 3 wire interface consisting of 2 data pins (MOSI and MISO), one clock pin (SCK), and a single Slave Select input (SPISS0) that is multiplexed with the PF0 Flag IO line and seven Slave Select outputs (SPISEL1 to SPISEL7) that are multiplexed with the PF1 to PF7 Flag IO lines. The SPISS0 input is used to select the ADSP-21990 as a slave to an external master. The SPISEL1 to SPISEL7 outputs can be used by the ADSP-21990 (acting as a master) to select/enable up to seven external slaves in an multi device SPI configuration. In a multimaster or a multi device configuration, all MOSI pins are tied together, all MISO pins are tied together, and all SCK pins are tied together.

During transfers, the SPI port simultaneously transmits and receives by serially shifting data in and out on the serial data line. The serial clock line synchronizes the shifting and sampling of data on the serial data line.

In master mode, the DSP's core performs the following sequence to set up and initiate SPI transfers:

1. Enables and configures the SPI port operation (data size, and transfer format).
2. Selects the target SPI slave with the SPISELx output pin (reconfigured Programmable Flag pin).
3. Defines one or more DMA descriptors in Page 0 of I/O memory space (optional in DMA mode only).
4. Enables the SPI DMA engine and specifies transfer direction (optional in DMA mode only).
5. In non DMA mode only, reads or writes the SPI port receive or transmit data buffer.

The SCK line generates the programmed clock pulses for simultaneously shifting data out on MOSI and shifting data in on MISO. In DMA mode only, transfers continue until the SPI DMA word count transitions from 1 to 0.

In slave mode, the DSP core performs the following sequence to set up the SPI port to receive data from a master transmitter:

1. Enables and configures the SPI slave port to match the operation parameters set up on the master (data size and transfer format) SPI transmitter.
2. Defines and generates a receive DMA descriptor in Page 0 of memory space to interrupt at the end of the data transfer (optional in DMA mode only).
3. Enables the SPI DMA engine for a receive access (optional in DMA mode only).
4. Starts receiving the data on the appropriate SCK edges after receiving an SPI chip select on the SPISS0 input pin (reconfigured Programmable Flag pin) from a master

In DMA mode only, reception continues until the SPI DMA word count transitions from 1 to 0. The DSP core could continue, by queuing up the next DMA descriptor.

A slave mode transmit operation is similar, except the DSP core specifies the data buffer in memory space from which to transmit data, generates and relinquishes control of the transmit DMA descriptor, and begins filling the SPI port data buffer. If the SPI controller is not ready on time to transmit, it can transmit a "zero" word.

DSP Serial Port (SPORT)

The ADSP-21990 incorporates a complete synchronous serial port (SPORT) for serial and multiprocessor communications. The SPORT supports the following features:

- Bidirectional: the SPORT has independent transmit and receive sections.
- Double buffered: the SPORT section (both receive and transmit) has a data register for transferring data words to and from other parts of the processor and a register for shifting data in or out. The double buffering provides additional time to service the SPORT.
- Clocking: the SPORT can use an external serial clock or generate its own in a wide range of frequencies down to 0 Hz. Maximum clock value is 40 MHz for internally generated clock.
- Word length: each SPORT section supports serial data word lengths from three to sixteen bits that can be transferred either MSB first or LSB first.
- Framing: each SPORT section (receive and transmit) can operate with or without frame synchronization signals for each data word; with internally generated or externally generated frame signals; with active high or active low frame signals; with either of two pulse widths and frame signal timing.
- Companding in hardware: each SPORT section can perform A law and μ law companding according to CCITT recommendation G.711.

- Direct Memory Access with single cycle overhead: using the built in DMA master, the SPORT can automatically receive and/or transmit multiple memory buffers of data with an overhead of only one DSP cycle per data word. The on chip DSP via a linked list of memory space resident DMA descriptor blocks can configure transfers between the SPORT and memory space. This chained list can be dynamically allocated and updated.
- Interrupts: each SPORT section (receive and transmit) generates an interrupt upon completing a data word transfer, or after transferring an entire buffer or buffers if DMA is used.
- Multi channel capability: The SPORT can receive and transmit data selectively from channels of a serial bit stream that is time division multiplexed into up to 128 channels. This is especially useful for T1 interfaces or as a network communication scheme for multiple processors. The SPORTs also support T1 and E1 carrier systems.
- Each SPORT channel (TX and RX) supports a DMA buffer of up to 8, 16-bit transfers.
- The SPORT operates at a frequency of up to $\frac{1}{2}$ the clock frequency of the HCLK
- The SPORT is capable of UART software emulation.

Analog To Digital Conversion System

The ADSP-21990 contains a fast, high accuracy, multiple input analog to digital conversion system with simultaneous sampling capabilities. This A/D conversion system permits the fast, accurate conversion of analog signals needed in high performance embedded systems. Key features of the ADC system are:

- 14-bit Pipeline (6-Stage Pipeline) Flash Analog to Digital Converter.
- 8 Dedicated Analog Inputs.
- Dual Channel Simultaneous Sampling Capability.
- Programmable ADC Clock Rate to Maximum of 20 MSPS.
- First Channel ADC Data Valid approximately 400 ns after CONVST (at 20 MSPS).
- All 8 Inputs Converted in approximately 800 ns (at 20 MSPS).
- 2.0 V peak to peak Input Voltage Range.
- Multiple Convert Start Sources.
- Internal or External Voltage Reference.
- Out of Range Detection.
- DMA capable transfers from ADC to memory.

The ADC system is based on a pipeline flash converter core, and contains dual input Sample and Hold amplifiers so that simultaneous sampling of two input signals is supported. The ADC system provides an analog input voltage range of 2.0Vpp and provides 14-bit performance with a clock rate

of up to 20 MHz. The ADC system can be programmed to operate at a clock rate that is programmable from HCLK/4 to HCLK/30, to a maximum of 20 MHz.

The ADC input structure supports 8 independent analog inputs; 4 of which are multiplexed into one sample and hold amplifier (A_SHA) and 4 of which are multiplexed into the other sample and hold amplifier (B_SHA).

At the 20 MHz HCLK rate, the first data value is valid approximately 400 ns after the Convert Start command. All 8 channels are converted in approximately 800 ns.

The core of the ADSP-21990 provides 14-bit data such that the stored data values in the ADC data registers are 14-bits wide.

Voltage Reference

The ADSP-21990 contains an onboard band gap reference that can be used to provide a precise 1.0V output for use by the A/D system and externally on the VREF pin for biasing and level shifting functions. Additionally, the ADSP-21990 may be configured to operate with an external reference applied to the VREF pin, if required.

PWM Generation Unit

Key features of the three phase PWM Generation Unit are:

- 16-bit, center based PWM Generation Unit
- Programmable PWM Pulsewidth, with resolutions to 12.5 ns (at 80 MHz)
- Single/Double Update Modes
- Programmable Dead Time and Switching Frequency
- Two's Complement Implementation permits smooth transition into full ON and full OFF states
- Possibility to synchronize the PWM Generation to an External Synchronization
- Special Provisions for BDCM Operation (Crossover and Output Enable Functions)
- Wide Variety of Special Switched Reluctance (SR) Operating Modes
- Output Polarity and Clock Gating Control
- Dedicated Asynchronous PWM Shutdown Signal
- Multiple shut down sources, independently for each unit

The ADSP-21990 integrates a flexible and programmable, three phase PWM waveform generator that can be programmed to generate the required switching patterns to drive a three phase voltage source inverter for ac induction (ACIM) or permanent magnet synchronous (PMSM) motor control. In addition, the PWM block contains special functions that considerably simplify the generation of the required PWM switching patterns for control of the electronically commutated motor (ECM) or brushless dc motor (BDCM). Tying a dedicated pin, $\overline{\text{PWMSR}}$, to GND, enables a special mode, for switched reluctance motors (SRM).

The six PWM output signals consist of three high side drive pins (AH, BH and CH) and three low side drive signals pins (AL, BL and CL). The polarity of the generated PWM signals may be set via hardware by the PWMPOL input pin, so that either active HI or active LO PWM patterns can be produced.

The switching frequency of the generated PWM patterns is programmable using the 16-bit PWMTM register. The PWM generator is capable of operating in two distinct modes, single update mode or double update mode. In single update mode the duty cycle values are programmable only once per PWM period, so that the resultant PWM patterns are symmetrical about the midpoint of the PWM period. In the double update mode, a second updating of the PWM registers is implemented at the midpoint of the PWM period. In this mode, it is possible to produce asymmetrical PWM patterns, that produce lower harmonic distortion in three phase PWM inverters.

Auxiliary PWM Generation Unit

Key features of the Auxiliary PWM Generation Unit are:

- 16-bit, programmable frequency, programmable duty cycle PWM outputs
- Independent or offset operating modes
- Double buffered control of duty cycle and period registers
- Separate auxiliary PWM synchronization signal and associated interrupt (can be used to trigger ADC Convert Start).
- Separate Auxiliary PWM shutdown signal ($\overline{\text{AUXTRIP}}$).

The ADSP-21990 integrates a two channel, 16-bit, auxiliary PWM output unit that can be programmed with variable frequency, variable duty cycle values and may operate in two different modes, independent mode or offset mode. In independent mode, the two auxiliary PWM generators are completely independent and separate switching frequencies and duty cycles may be programmed for each auxiliary PWM output. In offset mode the switching frequency of the two signals on the AUX0 and AUX1 pins is identical. Bit 4 of the AUXCTRL register places the auxiliary PWM channel pair in independent or offset mode

The Auxiliary PWM Generation unit provides two chip output pins, AUX0 and AUX1 (on which the switching signals appear) and one chip input pin, $\overline{\text{AUXTRIP}}$, which can be used to shutdown the switching signals, for example in a fault condition.

Encoder Interface Unit

The ADSP-21990 incorporates a powerful encoder interface block to incremental shaft encoders that are often used for position feedback in high performance motion control systems.

- Quadrature rates to 53 MHz (at 80 MHz peripheral clock).
- Programmable filtering of all encoder input signals

- 32-bit encoder counter
- Variety of hardware and software reset modes
- Two registration inputs to latch EIU count value with corresponding registration interrupt
- Status of A/B signals latched with reading of EIU count value.
- Alternative frequency & direction mode
- Single north marker mode
- Count error monitor function with dedicated error interrupt
- Dedicated 16-bit loop timer with dedicated interrupt
- Companion encoder event (I/T) timer unit.

The encoder interface unit (EIU) includes a 32-bit quadrature up/down counter, programmable input noise filtering of the encoder input signals and the zero markers, and has four dedicated chip pins. The quadrature encoder signals are applied at the EIA and EIB pins. Alternatively, a frequency and direction set of inputs may be applied to the EIA and EIB pins. In addition, two north marker/strobe inputs are provided on pins EIZ and EIS. These inputs may be used to latch the contents of the encoder quadrature counter into dedicated registers, EIZLATCH and EISLATCH, on the occurrence of external events at the EIZ and EIS pins. These events may be programmed to be either rising edge only (latch event) or rising edge if the encoder is moving in the forward direction and falling edge if the encoder is moving in the reverse direction (software latched north marker functionality).

The encoder interface unit incorporates programmable noise filtering on the four encoder inputs to prevent spurious noise pulses from adversely affecting the operation of the quadrature counter. The encoder interface unit operates at a clock frequency equal to the HCLK rate. The encoder interface unit operates correctly with encoder signals at frequencies of up to 13.25 MHz, corresponding to a maximum quadrature frequency of 53 MHz (assuming an ideal quadrature relationship between the input EIA and EIB signals).

The EIU may be programmed to use the north marker on EIZ to reset the quadrature encoder in hardware, if required.

Alternatively, the north marker can be ignored, and the encoder quadrature counter is reset according to the contents of a maximum count register, EIUMAXCNT. There is also a "single north marker" mode available in which the encoder quadrature counter is reset only on the first north marker pulse.

The encoder interface unit can also be made to implement some error checking functions. If an encoder count error is detected (due to a disconnected encoder line, for example), a status bit in the EIUSTAT register is set, and an EIU count error interrupt is generated.

The encoder interface unit of the ADSP-21990 contains a 16-bit loop timer that consists of a timer register, period register and scale register so that it can be programmed to time out and reload at appropriate intervals. When this loop timer times out, an EIU loop timer timeout interrupt is generated. This interrupt could be used to control the timing of speed and position control loops in high performance drives.

The encoder interface unit also includes a high performance encoder event timer (EET) block that permits the accurate timing of successive events of the encoder inputs. The EET can be programmed to time the duration between up to 255 encoder pulses and can be used to enhance velocity estimation, particularly at low speeds of rotation.

Flag I/O (FIO) Peripheral Unit

The FIO module is a generic parallel I/O interface that supports sixteen bidirectional multifunction flags or general purpose digital I/O signals (PF15-PF0).

All sixteen FLAG bits can be individually configured as an input or output based on the content of the direction (DIR) register, and can also be used as an interrupt source for one of two FIO interrupts. When configured as input, the input signal can be programmed to set the FLAG on either a level (level sensitive input/interrupt) or an edge (edge sensitive input/interrupt).

The FIO module can also be used to generate an asynchronous unregistered wake up signal FIO_WAKEUP for DSP core wake up after power down.

The FIO Lines, PF7 - PF1 can also be configured as external slave select outputs for the SPI Communications Port, while PF0 can be configured to act as a Slave select input.

The FIO Lines can be configured to act as a PWM shutdown source for the three phase PWM generation unit of the ADSP-21990.

Watchdog Timer

The ADSP-21990 integrates a watchdog timer that can be used as a protection mechanism against unintentional software events. It can be used to cause a complete DSP and peripheral reset in such an event. The watchdog timer consists of a 16-bit timer that is clocked at the external clock rate (CLKIN or crystal input frequency).

In order to prevent an unwanted timeout or reset, it is necessary to periodically write to the watchdog timer register. During abnormal system operation, the watchdog count will eventually decrement to 0 and a watchdog timeout will occur. In the system, the watchdog timeout will cause a full reset of the DSP core and peripherals.

General Purpose Timers

The ADSP-21990 contains a general purpose timer unit that contains three identical 32-bit timers. The three programmable interval timers (Timer0, Timer1 and Timer2) generate periodic interrupts. Each timer can be independently set to operate in one of three modes:

- Pulse Waveform Generation (PWM_OUT) mode
- Pulse Width Count/Capture (WDTH_CAP) mode
- External Event Watchdog (EXT_CLK) mode

Each Timer has one bidirectional chip pin, TMR2-TMR0. For each timer, the associated pin is configured as an output pin in PWM_OUT Mode and as input pin in WDTH_CAP and EXT_CLK Modes.

Interrupts

The interrupt controller lets the DSP respond to 17 interrupts with minimum overhead. The DSP core implements an interrupt priority scheme as shown in Table 2. Applications can use the unassigned slots for software and peripheral interrupts. The Peripheral Interrupt Controller is used to assign the various peripheral interrupts to the 12 user assignable interrupts of the DSP core.

Table 2. Interrupt Priorities/Addresses

Interrupt	IMASK/ IRPTL	Vector Address
Emulator (NMI) —Highest Priority	NA	NA
Reset (NMI)	0	0x00 0000
Power Down (NMI)	1	0x00 0020
Loop and PC Stack	2	0x00 0040
Emulation Kernel	3	0x00 0060
User Assigned Interrupt (USR0)	4	0x00 0080
User Assigned Interrupt (USR1)	5	0x00 00A0
User Assigned Interrupt (USR2)	6	0x00 00C0
User Assigned Interrupt (USR3)	7	0x00 00E0
User Assigned Interrupt (USR4)	8	0x00 0100
User Assigned Interrupt (USR5)	9	0x00 0120
User Assigned Interrupt (USR6)	10	0x00 0140
User Assigned Interrupt (USR7)	11	0x00 0160
User Assigned Interrupt (USR8)	12	0x00 0180

Table 2. Interrupt Priorities/Addresses (Continued)

Interrupt	IMASK/ IRPTL	Vector Address
User Assigned Interrupt (USR9)	13	0x00 01A0
User Assigned Interrupt (USR10)	14	0x00 01C0
User Assigned Interrupt (USR11)	15	0x00 01E0
—Lowest Priority		

There is no assigned priority for the peripheral interrupts after reset. To assign the peripheral interrupts a different priority, applications write the new priority to their corresponding control bits (determined by their ID) in the Interrupt Priority Control register.

Interrupt routines can either be nested with higher priority interrupts taking precedence or processed sequentially. Interrupts can be masked or unmasked with the IMASK register. Individual interrupt requests are logically ANDed with the bits in IMASK; the highest priority unmasked interrupt is then selected. The emulation, power down, and reset interrupts are nonmaskable with the IMASK register, but software can use the DIS INT instruction to mask the power down interrupt.

The Interrupt Control (ICNTL) register controls interrupt nesting and enables or disables interrupts globally.

The IRPTL register is used to force and clear interrupts. On chip stacks preserve the processor status and are automatically maintained during interrupt handling. To support interrupt, loop, and subroutine nesting, the PC stack is 33 levels deep, the loop stack is eight levels deep, and the status stack is 16 levels deep. To prevent stack overflow, the PC stack can generate a stack level interrupt if the PC stack falls below three locations full or rises above 28 locations full.

The following instructions globally enable or disable interrupt servicing, regardless of the state of IMASK.

```
ENA INT;
DIS INT;
```

At reset, interrupt servicing is disabled.

For quick servicing of interrupts, a secondary set of DAG and computational registers exist. Switching between the primary and secondary registers lets programs quickly service interrupts, while preserving the state of the DSP.

Peripheral Interrupt Controller

The Peripheral Interrupt Controller is a dedicated peripheral unit of the ADSP-21990 (accessed via IO mapped registers). The function of the peripheral interrupt controller is to manage the connection of up to 32 peripheral interrupt requests to the DSP core.

ADSP-21990

For current information contact Analog Devices at (781) 937-1799

February 2002

For each peripheral interrupt source, there is a unique 4-bit code that allows the user to assign the particular peripheral interrupt to any one of the 12 user assignable interrupts of the embedded ADSP-219x core. Therefore, the peripheral interrupt controller of the ADSP-21990 contains 8, 16-bit Interrupt Priority Registers (Interrupt Priority Register 0 (IPR0) to Interrupt Priority Register 7 (IPR7)).

Each Interrupt Priority Register contains a four 4-bit codes; one specifically assigned to each peripheral interrupt. The user may write a value between 0x0 and 0xB to each 4-bit location in order to effectively connect the particular interrupt source to the corresponding user assignable interrupt of the ADSP-219x core.

Writing a value of 0x0 connects the peripheral interrupt to the USR0 user assignable interrupt of the ADSP-219x core while writing a value of 0xB connects the peripheral interrupt to the USR11 user assignable interrupt. The core interrupt USR0 is the highest priority user interrupt, while USR11 is the lowest priority. Writing a value between 0xC and 0xF effectively disables the peripheral interrupt by not connecting it to any ADSP-219x core interrupt input. The user may assign more than one peripheral interrupt to any given ADSP-219x core interrupt. In that case, the onus is on the user software in the interrupt vector table to determine the exact interrupt source through reading status bits etc.

This scheme permits the user to assign the number of specific interrupts that are unique to their application to the interrupt scheme of the ADSP-219x core. The user can then use the existing interrupt priority control scheme to dynamically control the priorities of the 12 core interrupts.

Low Power Operation

The ADSP-21990 has four low power options that significantly reduce the power dissipation when the device operates under standby conditions. To enter any of these modes, the DSP executes an IDLE instruction. The ADSP-21990 uses the configuration of the PD, STCK, and STALL bits in the PLLCTL register to select between the low power modes as the DSP executes the IDLE instruction. Depending on the mode, an IDLE shuts off clocks to different parts of the DSP in the different modes. The low power modes are:

- Idle
- Power Down Core
- Power Down Core/Peripherals
- Power Down All

Idle Mode

When the ADSP-21990 is in Idle mode, the DSP core stops executing instructions, retains the contents of the instruction pipeline, and waits for an interrupt. The core clock and peripheral clock continue running.

To enter Idle mode, the DSP can execute the IDLE instruction anywhere in code. To exit Idle mode, the DSP responds to an interrupt and (after two cycles of latency) resumes executing instructions.

Power down Core Mode

When the ADSP-21990 is in Power Down Core mode, the DSP core clock is off, but the DSP retains the contents of the pipeline and keeps the PLL running. The peripheral bus keeps running, letting the peripherals receive data.

To exit Power Down Core mode, the DSP responds to an interrupt and (after two cycles of latency) resumes executing instructions.

Power Down Core/Peripherals Mode

When the ADSP-21990 is in Power Down Core/Peripherals mode, the DSP core clock and peripheral bus clock are off, but the DSP keeps the PLL running. The DSP does not retain the contents of the instruction pipeline. The peripheral bus is stopped, so the peripherals cannot receive data.

To exit Power Down Core/Peripherals mode, the DSP responds to an interrupt and (after five to six cycles of latency) resumes executing instructions.

Power Down All Mode

When the ADSP-21990 is in Power Down All mode, the DSP core clock, the peripheral clock, and the PLL are all stopped. The DSP does not retain the contents of the instruction pipeline. The peripheral bus is stopped, so the peripherals cannot receive data.

To exit Power Down Core/Peripherals mode, the DSP responds to an interrupt and (after 500 cycles to re-stabilize the PLL) resumes executing instructions.

Clock Signals

The ADSP-21990 can be clocked by a crystal oscillator or a buffered, shaped clock derived from an external clock oscillator. If a crystal oscillator is used, the crystal should be connected across the CLKIN and XTAL pins, with two capacitors connected as shown in Figure 5. Capacitor values are dependent on crystal type and should be specified by the crystal manufacturer. A parallel resonant, fundamental frequency, microprocessor grade crystal should be used for this configuration.

If a buffered, shaped clock is used, this external clock connects to the DSP's CLKIN pin. CLKIN input cannot be halted, changed, or operated below the specified frequency during normal operation. This clock signal should be a TTL compatible signal. When an external clock is used, the XTAL input must be left unconnected.

The DSP provides a user programmable $1\times$ to $32\times$ multiplication of the input clock, including some fractional values, to support 128 external to internal (DSP core) clock ratios. The BYPASS pin, and MSEL6-0 and DF bits, in the PLL configuration register, decide the PLL multiplication factor at reset. At runtime, the multiplication factor can be

controlled in software. To support input clocks greater than 100 MHz, the PLL uses an additional bit (DF). If the input clock is greater than 100 MHz, DF must be set. If the input clock is less than 100 MHz, DF must be cleared. For clock multiplier settings, see the ADSP-21990 *DSP Hardware Reference Manual*.

The peripheral clock is supplied to the CLKOUT pin.

All on chip peripherals for the ADSP-21990 operate at the rate set by the peripheral clock. The peripheral clock (HCLK) is either equal to the core clock rate or one half the DSP core clock rate (CCLK). This selection is controlled by the IOSEL bit in the PLLCTL register. The maximum core clock is 160 MHz, and the maximum peripheral clock is 80 MHz—the combination of the input clock and core/peripheral clock ratios may not exceed these limits.

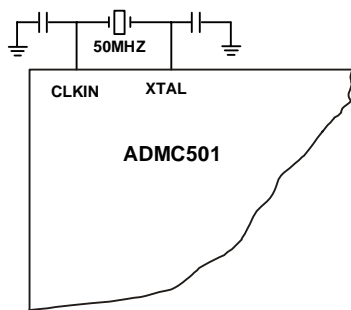


Figure 5. External Crystal Connections

Reset and Power On Reset (POR)

The RESET pin initiates a complete hardware reset of the ADSP-21990 when pulled low. The RESET signal must be asserted when the device is powered up to assure proper initialization. The ADSP-21990 contains an integrated power on reset (POR) circuit that provides an output reset signal, \overline{POR} , from the ADSP-21990 on power up and if the power supply voltage falls below the threshold level. The ADSP-21990 may be reset from an external source using the RESET signal or alternatively the internal power on reset circuit may be used by connecting the \overline{POR} pin to the RESET pin. During power up the RESET line must be activated for long enough to allow the DSP core's internal clock to stabilize. The power up sequence is defined as the total time required for the crystal oscillator to stabilize after

a valid VDD is applied to the processor and for the internal phase locked loop (PLL) to lock onto the specific crystal frequency. A minimum of 2000 cycles will ensure that the PLL has locked (this does not include the crystal oscillator start up time).

The RESET input contains some hysteresis. If using an RC circuit to generate your RESET signal, the circuit should use an external Schmidt trigger.

The master reset sets all internal stack pointers to the empty stack condition, masks all interrupts, and resets all registers to their default values (where applicable). When RESET is released, if there is no pending bus request, program control jumps to the location of the on chip boot ROM (0xFF0000) and the booting sequence is performed.

Power Supplies

The ADSP-21990 has separate power supply connections for the internal (V_{DDINT}) and external (V_{DDEXT}) power supplies. The internal supply must meet the 2.5 V requirement. The external supply must be connected to a 3.3 V supply. All external supply pins must be connected to the same supply.

Bootling Modes

The ADSP-21990 supports a number of different boot modes that are controlled by the three dedicated hardware boot mode control pins (BMODE2, BMODE1 and BMODE0). The use of 3 boot mode control pins means that up to 8 different boot modes are possible. Of these only 5 modes are valid on the ADSP-21990. The ADSP-21990 exposes the boot mechanism to software control by providing a nonmaskable boot interrupt that vectors to the start of the on chip ROM memory block (at address 0xFF0000). A boot interrupt is automatically initiated following either a hardware initiated reset, via the RESET pin, or a software initiated reset, via writing to the Software Reset register. Following either a hardware or a software reset, execution always starts from the boot ROM at address 0xFF0000, irrespective of the settings of the BMODE2, BMODE1 and BMODE0 pins. The dedicated BMODE2, BMODE1 and BMODE0 pins are sampled during hardware reset.

The particular boot mode for the ADSP-21990 associated with the settings of the BMODE2, BMODE1, BMODE0 pins is defined in Table 1.

Table 3. Summary of Boot Modes for ADSP-21990

Boot Mode	BMODE2	BMODE1	BMODE0	Function
0	0	0	0	Illegal – Reserved
1	0	0	1	Boot from External 8-bit Memory over EMI
2	0	1	0	Execute from External 8-bit Memory
3	0	1	1	Execute from External 16-bit Memory
4	1	0	0	Boot from SPI0 ≤ 4 kbits
5	1	0	1	Boot from SPI0 > 4kbits

Table 3. Summary of Boot Modes for ADSP-21990 (Continued)

Boot Mode	BMODE2	BMODE1	BMODE0	Function
6	1	1	0	Illegal – Reserved
7	1	1	1	Illegal – Reserved

Instruction Set Description

The ADSP-21990 assembly language instruction set has an algebraic syntax that was designed for ease of coding and readability. The assembly language, which takes full advantage of the processor's unique architecture, offers the following benefits:

- ADSP-219x assembly language syntax is a superset of and source code compatible (except for two data registers and DAG base address registers) with ADSP-21xx family syntax. It may be necessary to restructure ADSP-21xx programs to accommodate the ADSP-21990's unified memory space and to conform to its interrupt vector map.
- The algebraic syntax eliminates the need to remember cryptic assembler mnemonics. For example, a typical arithmetic add instruction, such as $AR = AX0 + AY0$, resembles a simple equation.
- Every instruction, but two, assembles into a single, 24-bit word that can execute in a single instruction cycle. The exceptions are two dual word instructions. One writes 16- or 24-bit immediate data to memory, and the other is an absolute jump/call with the 24-bit address specified in the instruction.
- Multifunction instructions allow parallel execution of an arithmetic, MAC, or shift instruction with up to two fetches or one write to processor memory space during a single instruction cycle.
- Program flow instructions support a wider variety of conditional and unconditional jumps/calls and a larger set of conditions on which to base execution of conditional instructions.

DEVELOPMENT TOOLS

The ADSP-21990 is supported with a complete set of software and hardware development tools, including Analog Devices' emulators and VisualDSP® development environment. The same emulator hardware that supports other ADSP-219x DSPs, also fully emulates the ADSP-21990.

The VisualDSP project management environment lets programmers develop and debug an application. This environment includes an easy-to-use assembler that is based on an algebraic syntax; an archiver (librarian/library builder); a linker; a loader; a cycle-accurate, instruc-

tion-level simulator; a C/C++ compiler; and a C/C++ run-time library that includes DSP and mathematical functions. Two key points for these tools are:

- Compiled ADSP-219x C/C++ code efficiency—the compiler has been developed for efficient translation of C/C++ code to ADSP-219x assembly. The DSP has architectural features that improve the efficiency of compiled C/C++ code.
- ADSP-218x family code compatibility—The assembler has legacy features to ease the conversion of existing ADSP-218x applications to the ADSP-219x.

Debugging both C/C++ and assembly programs with the VisualDSP debugger, programmers can:

- View mixed C/C++ and assembly code (interleaved source and object information)
- Insert break points
- Set conditional breakpoints on registers, memory, and stacks
- Trace instruction execution
- Profile program execution
- Fill and dump memory
- Source level debugging
- Create custom debugger windows

The VisualDSP IDE lets programmers define and manage DSP software development. Its dialog boxes and property pages let programmers configure and manage all of the ADSP-219x development tools, including the syntax highlighting in the VisualDSP editor. This capability permits:

- Control how the development tools process inputs and generate outputs.
- Maintain a one-to-one correspondence with the tool's command line switches.

Analog Devices DSP emulators use the IEEE 1149.1 JTAG test access port of the ADSP-21990 processor to monitor and control the target board processor during emulation. The emulator provides full-speed emulation, allowing inspection and modification of memory, registers, and processor stacks. Nonintrusive in-circuit emulation is assured by the use of the processor's JTAG interface—the emulator does not affect target system loading or timing.

In addition to the software and hardware development tools available from Analog Devices, third parties provide a wide range of tools supporting the ADSP-219x processor family. Hardware tools include ADSP-219x PC plug-in cards.

Third Party software tools include DSP libraries, real-time operating systems, and block diagram design tools.

Designing an Emulator Compatible DSP Board (Target)

The White Mountain DSP (Product Line of Analog Devices, Inc.) family of emulators are tools that every DSP developer needs to test and debug their hardware and software system. Analog Devices has supplied an IEEE 1149.1 JTAG Test Access Port (TAP) on each JTAG DSP. The emulator uses the TAP to access the internals of the DSP, allowing the developer to load code, set breakpoints, observe variables, observe memory, examine registers, etc. The DSP must be halted to send data and commands, but once an operation is completed by the emulator, the DSP system is set running at full speed with no impact on system timing.

To use these emulators, the target's design must include the interface between an Analog Devices JTAG DSP and the emulation header on a custom DSP target board. The following sections provide the guidelines for design that help eliminate possible JTAG emulation port problems.

Target Board Connector

The emulator interface to an ADI JTAG DSP is a 14-pin header, as shown in Figure 6. The customer must supply this header on their target board in order to communicate with the emulator. The interface consists of a standard dual row 0.025" square post header, set on 0.1" x 0.1" spacing, with a minimum post length of 0.235". Pin 3 is the key position used to prevent the pod from being inserted backwards. This pin must be clipped on the target board.

Also, the clearance (length, width, and height) around the header must be considered. Leave a clearance of at least 0.15" and 0.10" around the length and width of the header, and reserve a height clearance to attach and detach the pod connector. For more information, see [Layout Requirements on page 16](#).

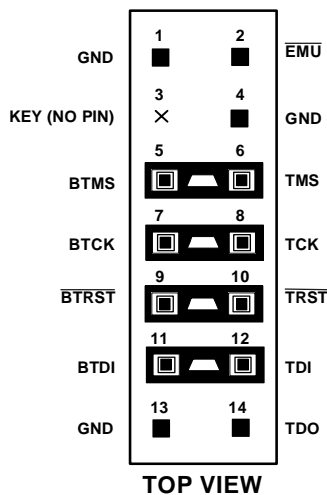


Figure 6. JTAG Target Board Connector for JTAG Equipped Analog Devices DSP (Jumpers in Place)

As can be seen in Figure 6, there are two sets of signals on the header. There are the standard JTAG signals TMS, TCK, TDI, TDO, $\overline{\text{TRST}}$ and $\overline{\text{EMU}}$ used for emulation purposes (via an emulator). There are also secondary JTAG signals BTMS, BTCK, BTDI, and BTRST that are optionally used for board-level (boundary scan) testing. The "B" signals would be connected to a separate on-board JTAG boundary scan controller if used. Most customers will never use the "B" signals. If they will not be used, tie all of them to ground as shown in figure 2.

Note: BTCK can alternately be pulled up (for some older silicon) to VDD (+5V, +3.3V, or +2.5V) using a 4.7K Ω resistor, as described in previous documents. Tying the signal to ground is universal and will work for all silicon.

When the emulator is not connected to this header, place jumpers across BTMS, BTCK, $\overline{\text{BTRST}}$, and BTDI as shown in Figure 7. This holds the JTAG signals in the correct state to allow the DSP to run free. Remove all the jumpers when connecting the emulator to the JTAG header.

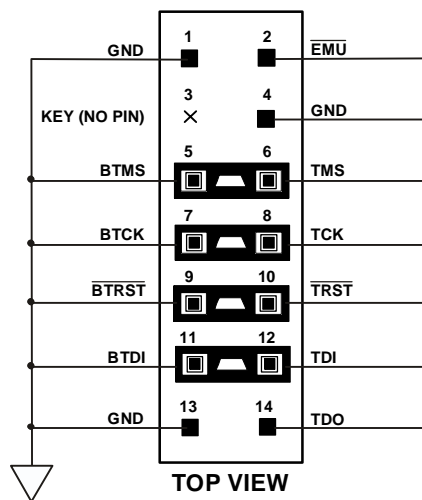


Figure 7. JTAG Target Board Connector With No Local Boundary Scan

The state of each standard JTAG signal can be found in Table 4.

Table 4. State of Standard JTAG Signals¹

Signal	Description	Emulator	DSP
TMS	Test Mode Select	O	I
TCK	Test Clock (10 MHz)	O	I
$\overline{\text{TRST}}$	Test Reset	O	I
TDI	Test Data In	O	I
TDO	Test Data Out	I	O
$\overline{\text{EMU}}$	Emulation Pin	I	O, o/d

¹O = Output, I = Input, o/d = Open Drain

ADSP-21990

For current information contact Analog Devices at (781) 937-1799

February 2002

The DSP CLKIN signal is the clock signal line (typically 30 MHz or greater) that connects an oscillator to all DSPs in multiple DSP systems requiring synchronization. For synchronous DSP operations to work correctly the CLKIN signal on all the DSPs must be the same signal and the skew between them must be minimal (use clock drivers, or other means) – see the DSP users guide for more details on CLKIN.

Note that the CLKIN signal is not used by the emulator and can cause noise problems if connected to the JTAG header. Legacy documents show it connected to pin 4 of the JTAG header. Pin-4 should be tied to ground on the 14-pin JTAG header (do not connect the JTAG header pin to the DSP CLKIN signal). If you have already connected it to the JTAG header pin, and are experiencing noise from this signal, simply clip this pin on the 14-pin JTAG header.

The final connections between a single DSP target and the emulation header (within 6 inches) are shown in Figure 8. A 4.7k Ω pull-up resistor has been added on TCK, TDI and TMS chain for increased noise resistance.

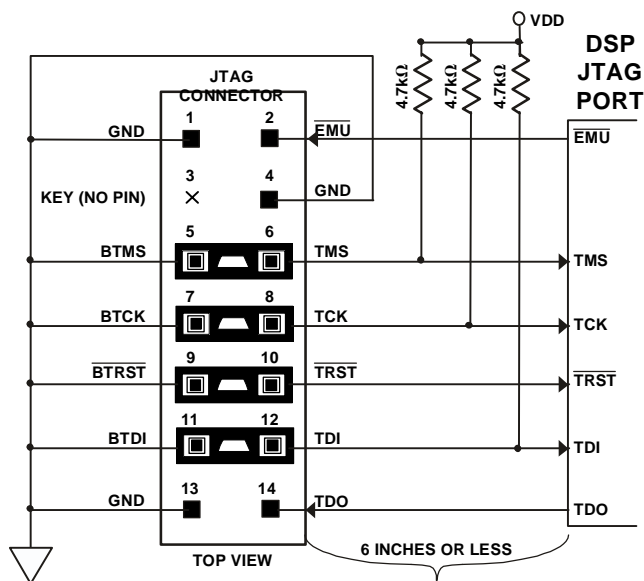


Figure 8. Single-DSP JTAG-Connections, Unbuffered

Should your design use more than one DSP (or other JTAG device in the scan chain), or if your JTAG header is more than 6 inches from the DSP, use a buffered connection scheme as shown in Figure 9 (no local boundary scan mode shown). To keep signal skew to a minimum, be sure the buffers are all in the same physical package (typical chips have 6, 8, or 16 drivers). Using a buffer that has built in series resistors such as the 74ABT2244 family can help reduce ringing on the JTAG signal lines. For low voltage applications (3.3V, 2.5V, and 1.8V I/O), the 74ALVT, and 74AVC logic families are a good starting point. Also, note the position of the pull-up resistor on $\overline{\text{EMU}}$. This is required since the $\overline{\text{EMU}}$ line is an open drain signal.

Important: If you have more than one DSP (or JTAG device) on your target (in the scan chain), it is imperative that you buffer the JTAG header. This will keep the signals clean and avoid noise problems that occur with longer signal traces (ultimately resulting in reliable emulator operation).

Although the theoretical number of devices that can be supported (by the software) in one JTAG scan chain is quite large (50 devices or more) it is not recommended that you use more than eight physical devices in one scan chain. (A physical device could however contain many JTAG devices such as inside a multi-chip module). The recommendation of not more than eight physical devices is mostly due to the transmission line effects that appear in long signal traces, and based on some field-collected empirical data. The best approach for large numbers of physical devices is to break the chain into several smaller independent chains, each with their own JTAG header and buffer. If this is not possible, at least add some jumpers that can reduce the number of devices in one chain for debug purposes, and pay special attention in the layout stage for transmission line effects.

Layout Requirements

All JTAG signals (TCK, TMS, TDI, TDO, $\overline{\text{EMU}}$, and $\overline{\text{TRST}}$) should be treated as critical route signals. This means pay special attention when routing these signals. Specify a controlled impedance requirement for each route (value depends on your circuit board - typically 50-75 Ω). Keep crosstalk and inductance to a minimum on these lines by using a good ground plane and by routing away from other high noise signals such as clock lines. Keep these routes as short and clean as possible, and keep the bused signals (TMS, TCK, $\overline{\text{TRST}}$ and, $\overline{\text{EMU}}$) as close to the same length as possible.

Note: The JTAG TAP relies on the state of the TMS line and the TCK clock signal. If these signals have glitches (due to ground bounce, crosstalk, etc.) unreliable emulator operation will result. If you are experiencing emulator problems, look at these signals using a high-speed digital oscilloscope. These lines must be clean, and may require special termination schemes. If you are buffering the JTAG header (most customers will) you must provide signal termination appropriate for your target board (series, parallel, R/C, etc.).

Power Sequence

The power-on sequence for your target and emulation system is as follows: Apply power to the emulator first, then to the target board. This ensures that the JTAG signals are in the correct state for the DSP to run free. Upon power-on, the emulator drives the $\overline{\text{TRST}}$ signal low, keeping the DSP TAP in the test-logic-reset state, until the emulation software takes control. Removal of power should be the reverse: Turn off power to the target board then to the emulator.

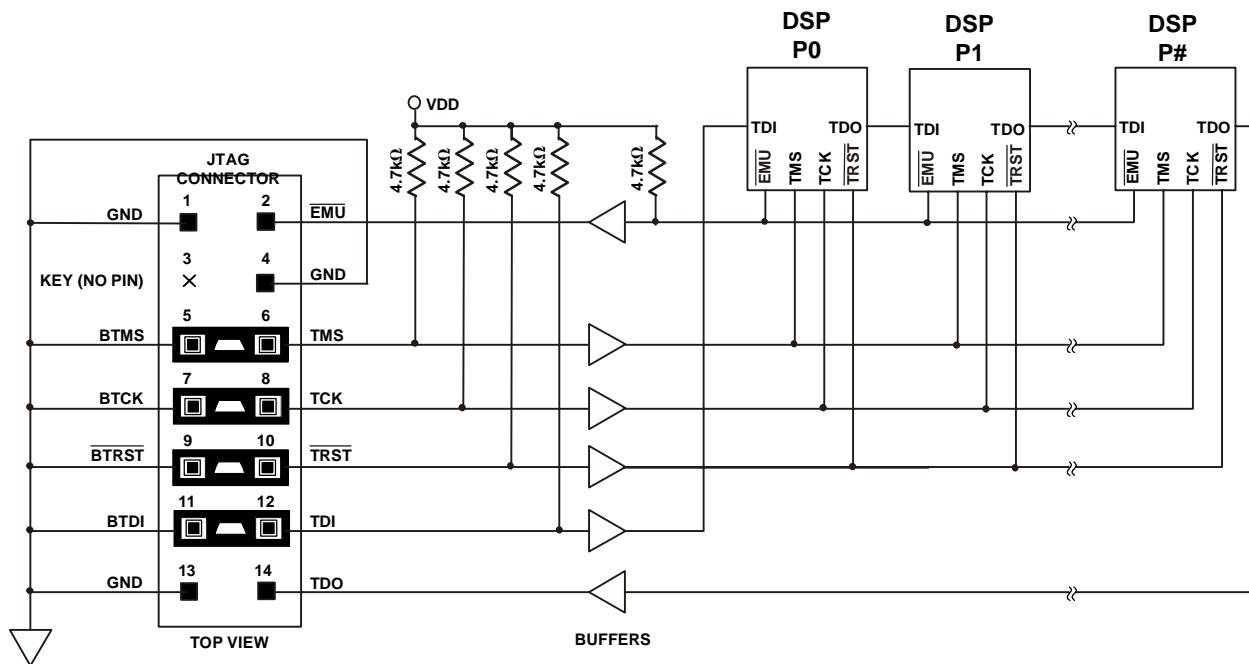


Figure 9. Multiple-DSP JTAG-Connections, Buffered

Emulator Model Specifics

The following sections contain design details on various emulator pod designs by White Mountain DSP. The emulator pod is the device that connects directly to the DSP target board 14-pin JTAG header. Check our web site for updates to this document that will contain new emulator design details.

White Mountain DSP JTAG Pod Connector

This section applies to the Mountain ICE, Summit-ICE, Trek-ICE, Mountain-ICE/WS, Apex-ICE.

Figure 10 details the dimensions of the JTAG pod connector at the 14-pin target end. Figure 11 displays the keep-out area for a target board header. The keep-out area allows the pod connector to properly seat onto the target board header. This board area should contain no components (chips, resistors, capacitors, etc.). The dimensions are referenced to the center of the 0.25" square post pin.

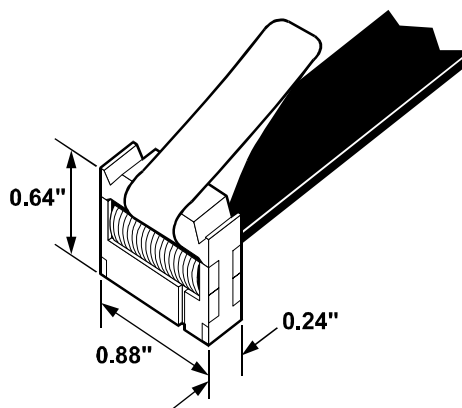


Figure 10. JTAG Pod Connector Dimensions

White Mountain DSP 3.3V Pod Logic

This section applies to Mountain ICE, Summit-ICE, Trek-ICE, Mountain-ICE/WS, Apex-ICE.

A portion of the White Mountain DSP 3.3V emulator pod interface is shown in Figure 12. This figure describes the driver circuitry of the emulator pod. As can be seen, TMS, TCK and TDI are driven with a 33Ω series resistor. TRST is driven with a 100Ω series resistor. TDO and CLKIN are terminated with an optional 91/120Ω parallel terminator. EMU is pulled up with a 4.7KΩ resistor. The 74LV244 chip drives the signals at 3.3V, with a maximum current rating of ±32mA.

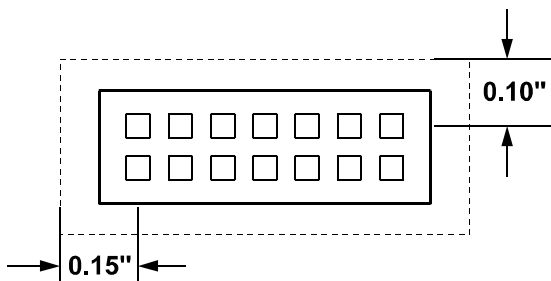


Figure 11. JTAG Pod Connector Keep-Out Area

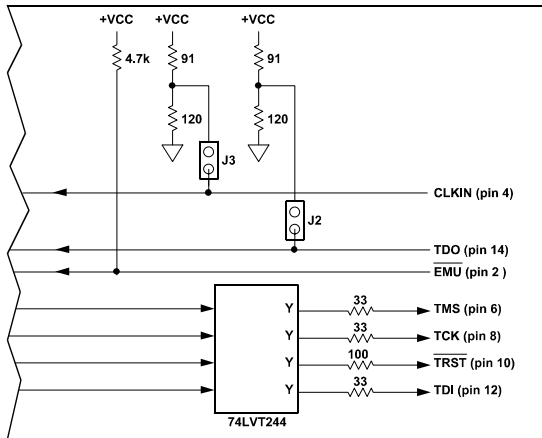


Figure 12. 3.3V JTAG Pod Driver Logic

You can parallel terminate the TMS, TCK, $\overline{\text{TRST}}$, and TDI lines locally on your target board, if needed, since they are driven by the pod with sufficient current drive ($\pm 32\text{mA}$). In order to use the terminators on the TDO line (CLKIN is not used), you MUST have a buffer on your target board JTAG header. The DSP is not capable of driving the parallel terminator load directly with TDO. Assuming you have the proper buffers, you may use the optional parallel terminators simply by placing a jumper on J2.

White Mountain DSP 2.5V Pod Logic

This section applies to Mountain ICE, Summit-ICE, Trek-ICE, Mountain-ICE/WS.

A portion of the White Mountain DSP 2.5V emulator pod interface is shown in Figure 13. This figure describes the driver circuitry of the emulator pod. As can be seen, TMS, TCK, and TDI are driven with a 33Ω series resistor. $\overline{\text{TRST}}$ is driven with a 100Ω series resistor. TDO is pulled up with a 4.7KΩ resistor and terminated with an optional parallel terminator that can be configured by the user. EMU is pulled up with a 4.7KΩ resistor.

The CLKIN signal is not used and not connected inside the pod. The 74ALVT16244 chip drives the signals at 2.5V, with a maximum current rating of $\pm 8\text{mA}$.

You can terminate the TMS, TCK, $\overline{\text{TRST}}$, and TDI lines locally on your target board, if needed, as long as the terminator's current use does not exceed the driver's maximum current supply ($\pm 8\text{mA}$). In order to use the terminator on the TDO line, you MUST have a buffer on your target board JTAG header. The DSP is not capable of driving a parallel

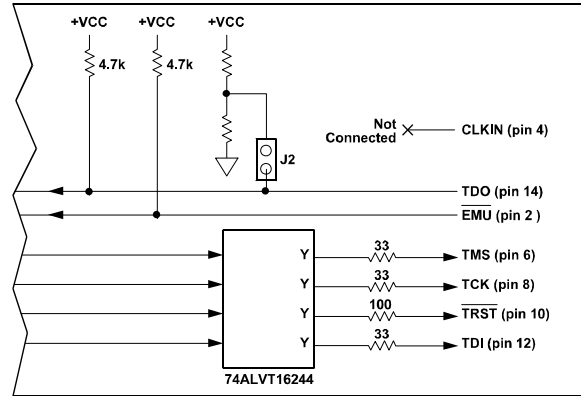


Figure 13. 2.5V JTAG Pod Driver Logic

terminator load (typically 50-75Ω) directly with TDO. Assuming you have the proper buffers, you may use the optional parallel terminator by adding the appropriate resistors and placing a jumper on J2.

Additional Information

This data sheet provides a general overview of the ADSP-21990 architecture and functionality. For detailed information on the ADSP-21990 embedded DSP core architecture, instruction set, communications ports and embedded control peripherals, refer to the ADSP-21990 *Mixed Signal DSP Controller Hardware Reference Manual*.

PIN DESCRIPTIONS

ADSP-21990 pin definitions are listed in Table 5. All ADSP-21990 inputs are asynchronous and can be asserted asynchronously to CLKIN (or to TCK for $\overline{\text{TRST}}$).

Unused inputs should be tied or pulled to V_{DDEXT} or GND, except for ADDR21-0, DATA15-0, PF7-0, and inputs that have internal pullup or pulldown resistors ($\overline{\text{TRST}}$, BMODE0, BMODE1, BMODE2, BYPASS, TCK, TMS, TDI, PWMPOL, $\overline{\text{PWMSR}}$, and $\overline{\text{RESET}}$)—these pins can be left floating. These pins have a logic level hold circuit that prevents input from floating internally. $\overline{\text{PWMTRIP}}$ has an internal pulldown, but should not be left floating to avoid unnecessary PWM shutdowns.

The following symbols appear in the Type column of Table 5: G = Ground, I = Input, O = Output, P = Power Supply, B = Bidirectional, T = Three State, D = Digital, A = Analog, CKG = Clock Generation pin, PU = Internal Pull Up, and PD = Internal Pull Down.

Table 5. ADSP-21990 Pin Descriptions

Pin Name	Type	Description
A19 - A0	D, OT	External Port Address Bus
D15 - D0	D, BT	External Port Data Bus
$\overline{\text{RD}}$	D, OT	External Port Read Strobe

Table 5. ADSP-21990 Pin Descriptions (Continued)

Pin Name	Type	Description
WR	D, OT	External Port Write Strobe
ACK	D, I	External Port Access Ready Acknowledge
BR	D, I	External Port Bus Request
BG	D, O	External Port Bus Grant
BGH	D, O	External Port Bus Grant Hang
MS0	D, OT	External Port Memory Select Strobe 0
MS1	D, OT	External Port Memory Select Strobe 1
MS2	D, OT	External Port Memory Select Strobe 2
MS3	D, OT	External Port Memory Select Strobe 3
IOMS	D, OT	External Port IO Space Select Strobe
BMS	D, OT	External Port Boot Memory Select Strobe
CLKIN	D,I,CKG	Clock Input/Oscillator Input/ Crystal Connection 0
XTAL	D,O,CKG	Oscillator Output/ Crystal Connection 1
CLKOUT	D, OT	Clock Output (HCLK)
BYPASS	D, I, PU	PLL Bypass Mode Select
RESET	D, I, PU	Processor Reset Input
POR	D, O	Power on Reset Output
BMODE2	D, I, PU	Boot Mode Select Input 2
BMODE1	D, I, PD	Boot Mode Select Input 1
BMODE0	D, I, PU	Boot Mode Select Input 0
TCK	D, I	JTAG Test Clock
TMS	D, I, PU	JTAG Test Mode Select
TDI	D, I, PU	JTAG Test Data Input
TDO	D, OT	JTAG Test Data Output
TRST	D, I, PU	JTAG Test Reset Input
EMU	D, OT, PU	Emulation Status
VIN0	A, I	ADC Input 0
VIN1	A, I	ADC Input 1
VIN2	A, I	ADC Input 2
VIN3	A, I	ADC Input 3
VIN4	A, I	ADC Input 4
VIN5	A, I	ADC Input 5
VIN6	A, I	ADC Input 6
VIN7	A, I	ADC Input 7
ASHAN	A, I	Inverting SHA_A Input
BSHAN	A, I	Inverting SHA_B Input
CAPT	A, O	Noise Reduction Pin
CAPB	A, O	Noise Reduction Pin
VREF	A, I, O	Voltage Reference Pin (Mode Selected by State of SENSE)
SENSE	A, I	Voltage Reference Select Pin
CML	A, O	Common Mode Level Pin
CONVST	D, I	ADC Convert Start Input
PF15	D, BT, PD	General Purpose IO15
PF14	D, BT, PD	General Purpose IO14
PF13	D, BT, PD	General Purpose IO13
PF12	D, BT, PD	General Purpose IO12
PF11	D, BT, PD	General Purpose IO11
PF10	D, BT, PD	General Purpose IO10
PF9	D, BT, PD	General Purpose IO9
PF8	D, BT, PD	General Purpose IO8
PF7/SPISEL7	D, BT, PD	General Purpose IO7 / SPI Slave Select Output 7
PF6/SPISEL6	D, BT, PD	General Purpose IO6 / SPI Slave Select Output 6

PRELIMINARY TECHNICAL DATA

ADSP-21990

For current information contact Analog Devices at (781) 937-1799

February 2002

Table 5. ADSP-21990 Pin Descriptions (Continued)

Pin Name	Type	Description
PF5/SPISEL5	D, BT, PD	General Purpose IO5 / SPI Slave Select Output 5
PF4/SPISEL4	D, BT, PD	General Purpose IO4 / SPI Slave Select Output 4
PF3/SPISEL3	D, BT, PD	General Purpose IO3 / SPI Slave Select Output 3
PF2/SPISEL2	D, BT, PD	General Purpose IO2 / SPI Slave Select Output 2
PF1/SPISEL1	D, BT, PD	General Purpose IO1 / SPI Slave Select Output 1
PF0/SPISS0	D, BT, PD	General Purpose IO0 / SPI Slave Select Input 0
SCK	D, BT	SPI Clock
MISO	D, BT	SPI Master In Slave Out Data
MOSI	D, BT	SPI Master Out Slave In Data
DT	D, OT	SPORT Data Transmit
DR	D, BT	SPORT Data Receive
RFS	D, BT	SPORT Receive Frame Sync
TFS	D, BT	SPORT Transmit Frame Sync
TCLK	D, BT	SPORT Transmit Clock
RCLK	D, BT	SPORT Receive Clock
EIA	D, I	Encoder A Channel Input
EIB	D, I	Encoder B Channel Input
EIZ	D, I	Encoder Z Channel Input
EIS	D, I	Encoder S Channel Input
AUX0	D, O	Auxiliary PWM Channel 0 Output
AUX1	D, O	Auxiliary PWM Channel 1 Output
<u>AUXTRIP</u>	D, I, PD	Auxiliary PWM Shutdown Pin
TMR2	D, BT	Timer 0 Input/Output Pin
TMR1	D, BT	Timer 1 Input/Output Pin
TMR0	D, BT	Timer 2 Input/Output Pin
AH	D, O	PWM Channel A HI PWM
AL	D, O	PWM Channel A LO PWM
BH	D, O	PWM Channel B HI PWM
BL	D, O	PWM Channel B LO PWM
CH	D, O	PWM Channel C HI PWM
CL	D, O	PWM Channel C LO PWM
PWMSYNC	D, BT	PWM Synchronization
PWMPOL	D, I, PU	PWM Polarity
<u>PWMTRIP</u>	D, I, PD	PWM Trip
<u>PWMSR</u>	D, I, PU	PWM SR Mode Select
AVDD (2 pins)	A, P	Analog Supply Voltage
AVSS (2 pins)	A, G	Analog Ground
VDDINT (6 pins)	D, P	Digital Internal Supply
VDDEXT (10 pins)	D, P	Digital External Supply
GND (16 pins)	D, G	Digital Ground

ADSP-21990—SPECIFICATIONS

RECOMMENDED OPERATING CONDITIONS

Parameter	Description ¹	Min	Max	Unit
V _{DDINT}	Internal (Core) Supply Voltage	2.37	2.63	V
V _{DDEXT}	External (I/O) Supply Voltage	TBD	3.6	V
V _{IHI}	High Level Input Voltage ² , @ V _{DDINT} = max	2.0	V _{DDEXT}	V
V _{IH2}	High Level Input Voltage ³ , @ V _{DDINT} = max	2.2	V _{DDEXT}	V
V _{IL}	Low Level Input Voltage ^{1, 2} , @ V _{DDINT} = min	-0.3	0.6	V
T _{AMB}	Ambient Operating Temperature	-40°C	+85°C	°C

¹Specifications subject to change without notice.

²Applies to input and bidirectional pins: DATA15-0, HAD15-0, HA16, HALE, HACK, HACK_P, BYPASS, $\overline{\text{HRD}}$, $\overline{\text{HWR}}$, ACK, PF7-0, $\overline{\text{HCMS}}$, $\overline{\text{HCIOMS}}$, BR, TFS0, TFS1, TFS2/MOSI0, RFS0, RFS1, RFS2/MOSI1, BMODE2, BMODE1-0, TMS, TDI, TCK, DT2/MISO0, DR0, DR1, DR2/MISO1, TCLK0, TCLK1, TCLK2/SCK0, RCLK0, RCLK1, RCLK2/SCK1.

³Applies to input pins: CLKIN, RESET, TRST.

ELECTRICAL CHARACTERISTICS

Parameter ¹	Description	Test Conditions	Min	Max	Unit
V _{OH}	High Level Output Voltage ²	@ V _{DDEXT} = min, I _{OH} = -0.5 mA	2.4		V
V _{OL}	Low Level Output Voltage ²	@ V _{DDEXT} = min, I _{OL} = 2.0 mA		0.4	V
I _{IH}	High Level Input Current ^{3, 4}	@ V _{DDEXT} = max, V _{IN} = V _{DD} max		TBD	μA
I _{IL}	Low Level Input Current ²	@ V _{DDINT} = max, V _{IN} = 0 V		TBD	μA
I _{ILP}	Low Level Input Current ³	@ V _{DDINT} = max, V _{IN} = 0 V		TBD	μA
I _{OZH}	Three State Leakage Current ⁵	@ V _{DDINT} = max, V _{IN} = V _{DD} max		TBD	μA
I _{OZL}	Three State Leakage Current ⁴	@ V _{DDINT} = max, V _{IN} = 0 V		TBD	μA
I _{OZHP}	Three State Leakage Current ⁶	@ V _{DDINT} = max, V _{IN} = V _{DD} max		TBD	μA
I _{OZLS}	Three State Leakage Current ⁵	@ V _{DDINT} = max, V _{IN} = 0 V		TBD	μA
I _{IDD TYPICAL}	Supply Current (Internal)	@ t _{CK} = TBD ns, V _{DDINT} = max		TBD	mA
I _{IDD IDLE}	Supply Current (Internal)	@ t _{CK} = TBD ns, V _{DDINT} = max		TBD	mA
I _{IDD PWRDWN}	Supply Current (Internal)	@ t _{CK} = TBD ns, V _{DDINT} = max		TBD	mA
C _{IN}	Input Capacitance ^{7, 8}	f _{IN} = 1 MHz, T _{CASE} = 25°C, V _{IN} = 2.5 V		TBD	pF

¹Specifications subject to change without notice.

²Applies to output and bidirectional pins: DATA15-0, ADDR21-0, HAD15-0, $\overline{MS3-0}$, \overline{IOMS} , \overline{RD} , \overline{WR} , CLKOUT, HACK, PF7-0, TMR2-0, \overline{BGH} , \overline{BG} , DT0, DT1, DT2/MISO0, TCLK0, TCLK1, TCLK2/SCK0, RCLK0, RCLK1, RCLK2/SCK1, TFS0, TFS1, TFS2/MOSI0, RFS0, RFS1, RFS2/MOSI1, \overline{BMS} , TDO, TXD, \overline{EMU} .

³Applies to input pins: ACK, \overline{BR} , \overline{HCMS} , \overline{HCIOMS} , BMODE2, BMODE1-0, HA16, HALE, \overline{HRD} , \overline{HWR} , CLKIN, \overline{RESET} , TCK, TDI, TMS, \overline{TRST} , DR0, DR1, BYPASS, RXD.

⁴Applies to input pins with internal pull ups: \overline{TRST} , BMODE0, BMODE1, BMODE2, BYPASS, TCK, TMS, TDI, \overline{RESET} .

⁵Applies to three statable pins: DATA15-0, ADDR21-0, $\overline{MS3-0}$, \overline{RD} , \overline{WR} , PF7-0, \overline{BMS} , \overline{IOMS} , TFSx, RFSx, TDO, \overline{EMU} .

⁶The test program used to measure $I_{DDINPEAK}$ represents worst case processor operation and is not sustainable under normal application conditions. Actual internal power measurements made using typical applications are less than specified. [For more information, see Power Dissipation on page 41.](#)

⁷Applies to all signal pins.

⁸Guaranteed, but not tested.

ABSOLUTE MAXIMUM RATINGS

V_{DDINT} Internal (Core) Supply Voltage ^{1,2}	-0.3 to 3.0 V
V_{DDEXT} External (I/O) Supply Voltage	-0.3 to 4.6 V
V_{IL} - V_{IH} Input Voltage	-0.5 to $V_{DDEXT} + 0.5$ V
V_{OL} - V_{OH} Output Voltage Swing	-0.5 to $V_{DDEXT} + 0.5$ V
C_L Load Capacitance	200 pF
t_{CCLK} Core Clock Period	6.25 ns
f_{CCLK} Core Clock Frequency	160 MHz
t_{HCLK} Peripheral Clock Period	10 ns
f_{HCLK} Peripheral Clock Frequency	80 MHz
T_{STORE} Storage Temperature Range	-65 to 150°C
T_{LEAD} Lead Temperature (5 seconds)	185°C

¹Specifications subject to change without notice.

²Stresses greater than those listed above may cause permanent damage to the device.

These are stress ratings only, and functional operation of the device at these or any other conditions greater than those indicated in the operational sections of this specification is not implied. Exposure to absolute maximum rating conditions for extended periods may affect device reliability.

ESD SENSITIVITY

CAUTION:

ESD (electrostatic discharge) sensitive device. Electrostatic charges as high as 4000V readily accumulate on the human body and test equipment and can discharge without detection. Although the ADSP-21990 features proprietary ESD protection circuitry, permanent damage may occur on devices subjected to high-energy electrostatic discharges. Therefore, proper ESD precautions are recommended to avoid performance degradation or loss of functionality.



TIMING SPECIFICATIONS

This section contains timing information for the DSP's external signals.

Clock In and Clock Out Cycle Timing

Table 6 and Figure 14 describe clock and reset operations. Per V_{DDINT} Internal (Core) Supply Voltage, -0.3 to 3.0 V on page 22, combinations of CLKIN and clock multipliers must not select core/peripheral clocks in excess of 160/100 MHz.

Table 6. Clock In and Clock Out Cycle Timing

Parameter	Description	Min	Max	Unit
<i>Switching Characteristic</i>				
t_{CKOD}	CLKOUT delay from CLKIN	0	5.8	ns
t_{CKO}	CLKOUT period ¹	10		ns
<i>Timing Requirements</i>				
t_{CK}	CLKIN period ^{2,3}	6.25	200	ns
t_{CKL}	CLKIN low pulse	2.2		ns
t_{CKH}	CLKIN high pulse	2.2		ns
t_{WRST}	\overline{RESET} asserted pulsewidth low	$200t_{CLKOUT}$		ns
t_{MSLS}	MSELx/BYPASS stable before \overline{RESET} de-asserted setup	450		μ s
t_{MSLH}	MSELx/BYPASS stable after \overline{RESET} de-asserted hold	$10t_{CLKOUT}$		ns

¹Figure 14 shows a $\times 2$ ratio between $CLKOUT = 2 \times CLKIN$ (or $t_{HCLK} = 2 \times t_{CCLK}$), but the ratio has many programmable options. For more information see the System Design chapter of the ADSP-219x/2191 DSP Hardware Reference.

²In clock multiplier mode and MSEL6-0 set for 1:1 (or $CLKIN = CCLK$), $t_{CK} = t_{CCLK}$.

³In bypass mode, $t_{CK} = t_{CCLK}$.

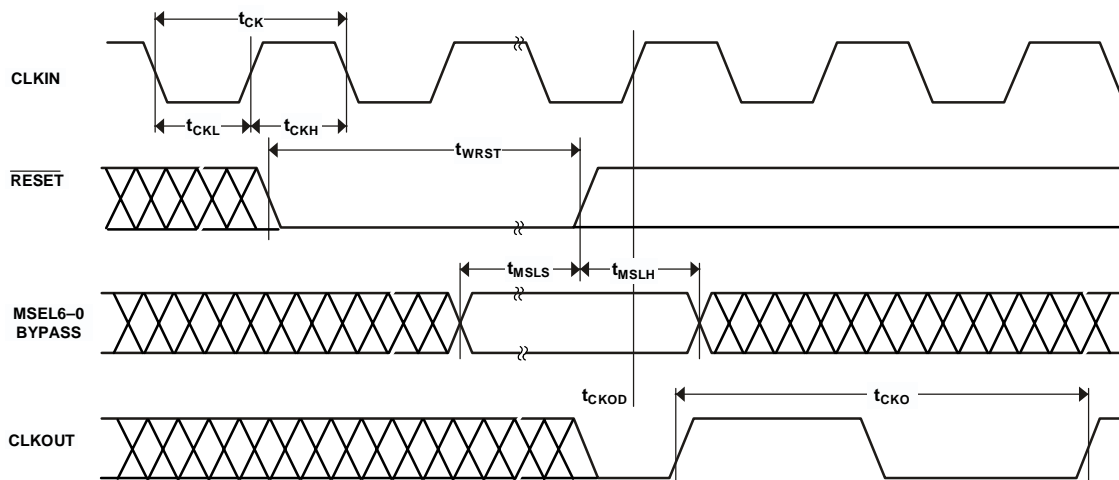


Figure 14. Clock In and Clock Out Cycle Timing

Programmable Flags Cycle Timing

Table 7 and Figure 15 describe programmable flag operations.

Table 7. Programmable Flags Cycle Timing

Parameter	Description	Min	Max	Unit
<i>Switching Characteristic</i>				
t_{DFO}	Flag output delay with respect to HCLK		3	ns
t_{HFO}	Flag output hold after HCLK high	TBD	TBD	ns
<i>Timing Requirement</i>				
t_{HFI}	Flag input hold is asynchronous	3		ns

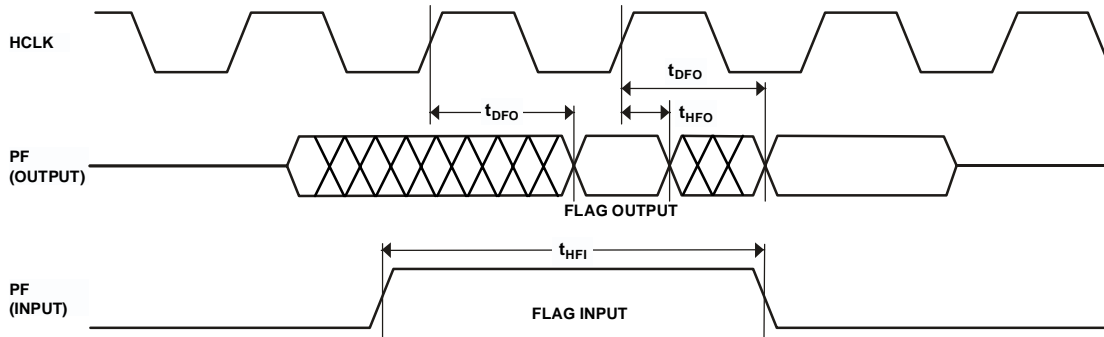


Figure 15. Programmable Flags Cycle Timing

Timer PWM_OUT Cycle Timing

Table 8 and Figure 16 describe timer expired operations. The input signal is asynchronous in “width capture mode” and has an absolute maximum input frequency of 50 MHz.

Table 8. Timer PWM_OUT Cycle Timing

Parameter	Description	Min	Max	Unit
<i>Switching Characteristic</i>				
t _{HTO}	Timer pulsewidth output ¹	6.25	(2 ³² -1) cycles	ns

¹The minimum time for t_{HTO} is one cycle, and the maximum time for t_{HTO} equals (2³²-1) cycles.

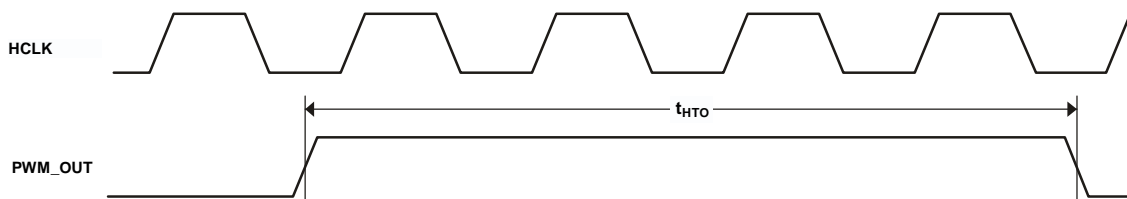


Figure 16. Timer PWM_OUT Cycle Timing

External Port Write Cycle Timing

Table 9 and Figure 17 describe external port write operations.

The external port lets systems extend read/write accesses in three ways: wait states, ACK input, and combined wait states and ACK. To add waits with ACK, the DSP must see ACK low at the rising edge of EMI clock. ACK low causes the DSP to wait, and the DSP requires two EMI clock cycles after ACK goes high to finish the access. For more information, see the External Port chapter in the *ADSP-219x/2191 DSP Hardware Reference*

Table 9. External Port Write Cycle Timing

Parameter	Description ^{1, 2, 3}	Min	Max	Unit
<i>Switching Characteristics</i>				
t _{CWA}	EMI ⁴ clock low to \overline{WR} asserted delay		2.8	ns
t _{CSWS}	Chip select asserted to \overline{WR} de-asserted delay	4.3	6.5	ns
t _{AWS}	Address valid to \overline{WR} setup and delay	4.9	7.0	ns
t _{AKS}	ACK asserted to EMI clock high delay	6.0		ns
t _{WSCS}	\overline{WR} de-asserted to chip select de-asserted	4.8	7.0	ns
t _{WSA}	\overline{WR} de-asserted to address invalid	4.5	6.6	ns
t _{CWD}	EMI clock low to \overline{WR} de-asserted delay	2.5	2.7	ns
t _{WW}	\overline{WR} strobe pulsewidth	t _{HCLK} - 0.5		ns
t _{CDA}	\overline{WR} to data enable access delay	1.5	4.1	ns
t _{CDD}	\overline{WR} to data disable access delay	3.3	7.4	ns
t _{DSW}	Data valid to \overline{WR} de-asserted setup	t _{HCLK} - 1.4	t _{HCLK} + 4.8	ns
t _{DHW}	\overline{WR} de-asserted to data invalid hold time; wt_hold=0	3.4	7.4	ns
t _{DHW}	\overline{WR} de-asserted to data invalid hold time; wt_hold=1	t _{HCLK} + 3.4	t _{HCLK} + 7.4	ns
<i>Timing Requirement</i>				
t _{AKW}	ACK strobe pulsewidth	10.0		ns

¹t_{HCLK} is the peripheral clock period.

²These are preliminary timing parameters that are based on worst case operating conditions.

³The pad loads for these timing parameters are 20 pF.

⁴EMI clock is the external port clock that is generated from the EMI clock ratio. This signal is not available on an external pin, but (roughly) corresponds to HCLK (at similar clock ratios).

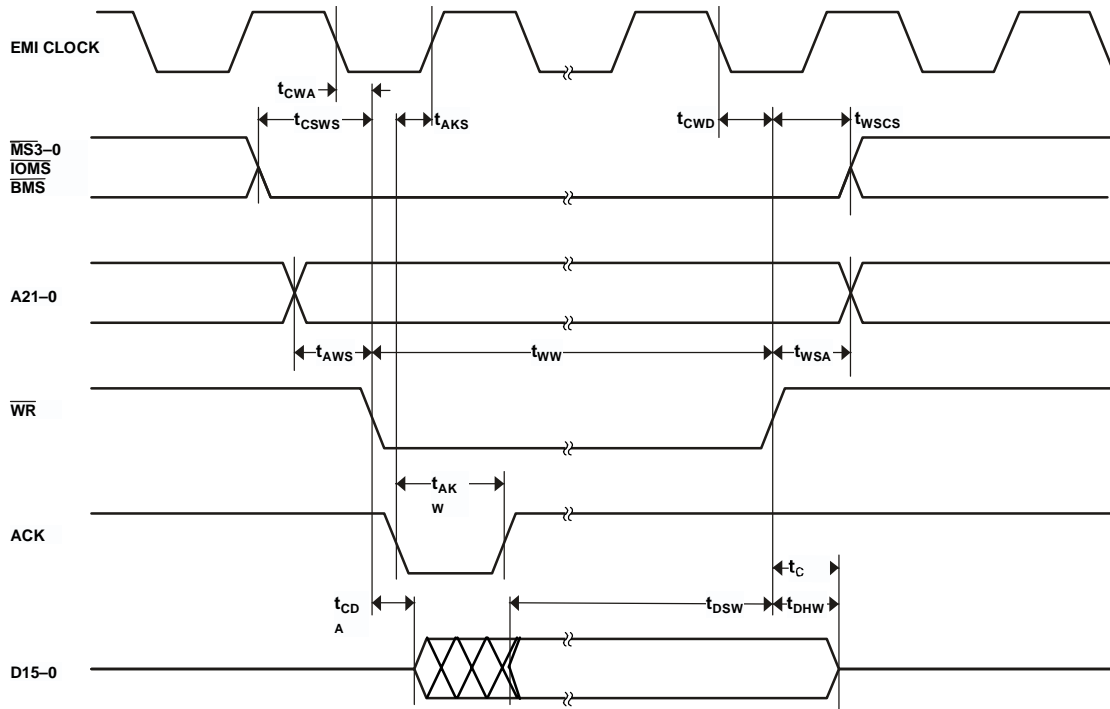


Figure 17. External Port Write Cycle Timing

PRELIMINARY TECHNICAL DATA

ADSP-21990

For current information contact Analog Devices at (781) 937-1799

February 2002

External Port Read Cycle Timing

Table 10 and Figure 18 describe external port read operations. For additional information on the ACK signal, see the discussion on page 26.

Table 10. External Port Read Cycle Timing

Parameter	Description ^{1, 2, 3}	Min	Max	Unit
<i>Switching Characteristics</i>				
t _{CRA}	EMI ⁴ clock low to \overline{RD} asserted delay		2.8	ns
t _{CSRS}	Chip select asserted to \overline{RD} asserted delay	4.3	6.5	ns
t _{ARS}	Address valid to \overline{RD} setup and delay	4.9	7.0	ns
t _{AKS}	ACK asserted to EMI clock high delay	6.0		ns
t _{CRD}	EMI clock low to \overline{RD} de-asserted delay	2.5	2.7	ns
t _{RSCS}	\overline{RD} de-asserted to chip select de-asserted setup	4.8	7.0	ns
t _{RW}	\overline{RD} strobe pulsewidth	t _{HCLK} -0.5		ns
t _{RSA}	\overline{RD} de-asserted to address invalid setup	4.5	6.6	ns
<i>Timing Requirements</i>				
t _{AKW}	ACK strobe pulsewidth	10.0		ns
t _{CDA}	\overline{RD} to data enable access delay	0.0		ns
t _{RDA}	\overline{RD} asserted to data access setup		t _{HCLK} -5.5	ns
t _{ADA}	Address valid to data access setup		t _{HCLK} -0.2	ns
t _{SDA}	Chip select asserted to data access setup		t _{HCLK} -0.6	ns
t _{SD}	Data valid to \overline{RD} de-asserted setup	1.8		ns
t _{HRD}	\overline{RD} de-asserted to data invalid hold	0.0		ns

¹t_{HCLK} is the peripheral clock period.

²These are preliminary timing parameters that are based on worst case operating conditions.

³The pad loads for these timing parameters are 20 pF.

⁴EMI clock is the external port clock that is generated from the EMI clock ratio. This signal is not available on an external pin, but (roughly) corresponds to HCLK (at similar clock ratios).

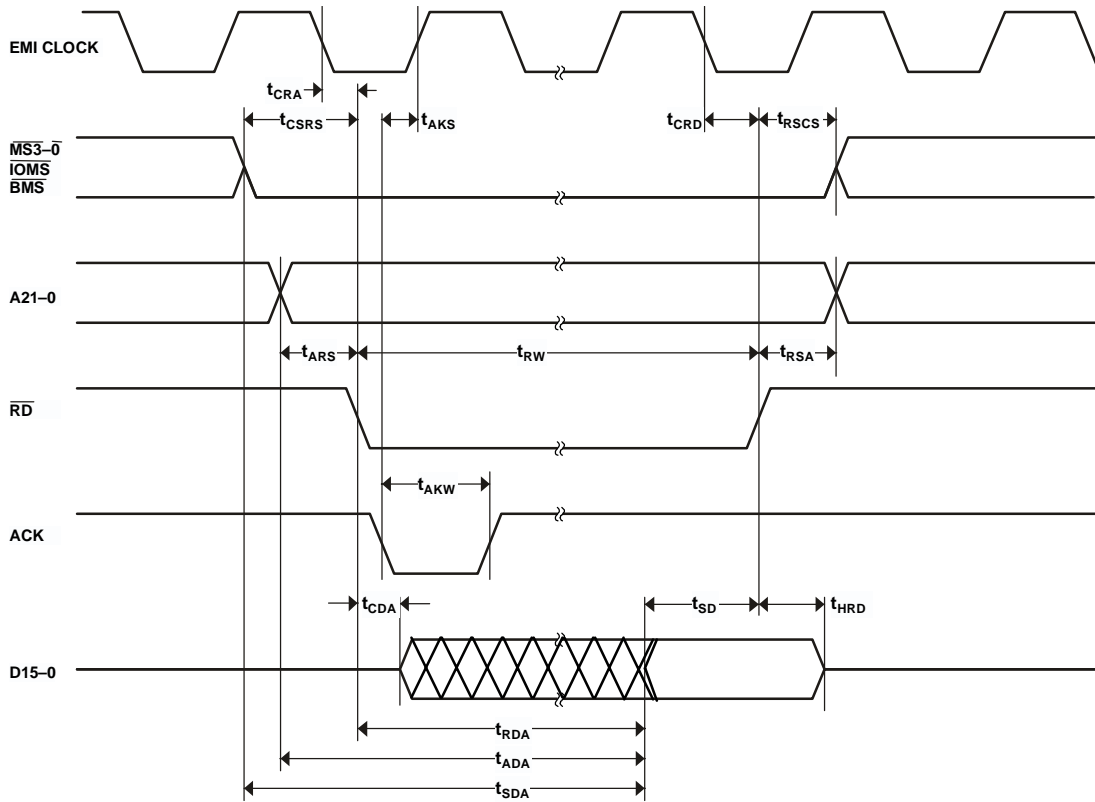


Figure 18. External Port Read Cycle Timing

PRELIMINARY TECHNICAL DATA

ADSP-21990

For current information contact Analog Devices at (781) 937-1799

February 2002

External Port Bus Request and Grant Cycle Timing

Table 11 and Figure 19 describe external port bus request and bus grant operations.

Table 11. External Port Bus Request and Grant Cycle Timing

Parameter	Description ^{1, 2, 3}	Min	Max	Unit
<i>Switching Characteristics</i>				
t _{SD}	CLKOUT high to \overline{xMS} , address, and $\overline{RD}/\overline{WR}$ disable		4.3	ns
t _{SE}	CLKOUT low to \overline{xMS} , address, and $\overline{RD}/\overline{WR}$ enable		4.0	ns
t _{DBG}	CLKOUT high to \overline{BG} asserted setup		2.2	ns
t _{EBG}	CLKOUT high to \overline{BG} de-asserted hold time		2.2	ns
t _{DBH}	CLKOUT high to \overline{BGH} asserted setup		2.4	ns
t _{EBH}	CLKOUT high to \overline{BGH} de-asserted hold time		2.4	ns
<i>Timing Requirements</i>				
t _{BS}	\overline{BR} asserted to CLKOUT high setup	4.6		ns
t _{BH}	CLKOUT high to \overline{BR} de-asserted hold time	0.0		ns

¹t_{HCLK} is the peripheral clock period.

²These are preliminary timing parameters that are based on worst case operating conditions.

³The pad loads for these timing parameters are 20 pF.

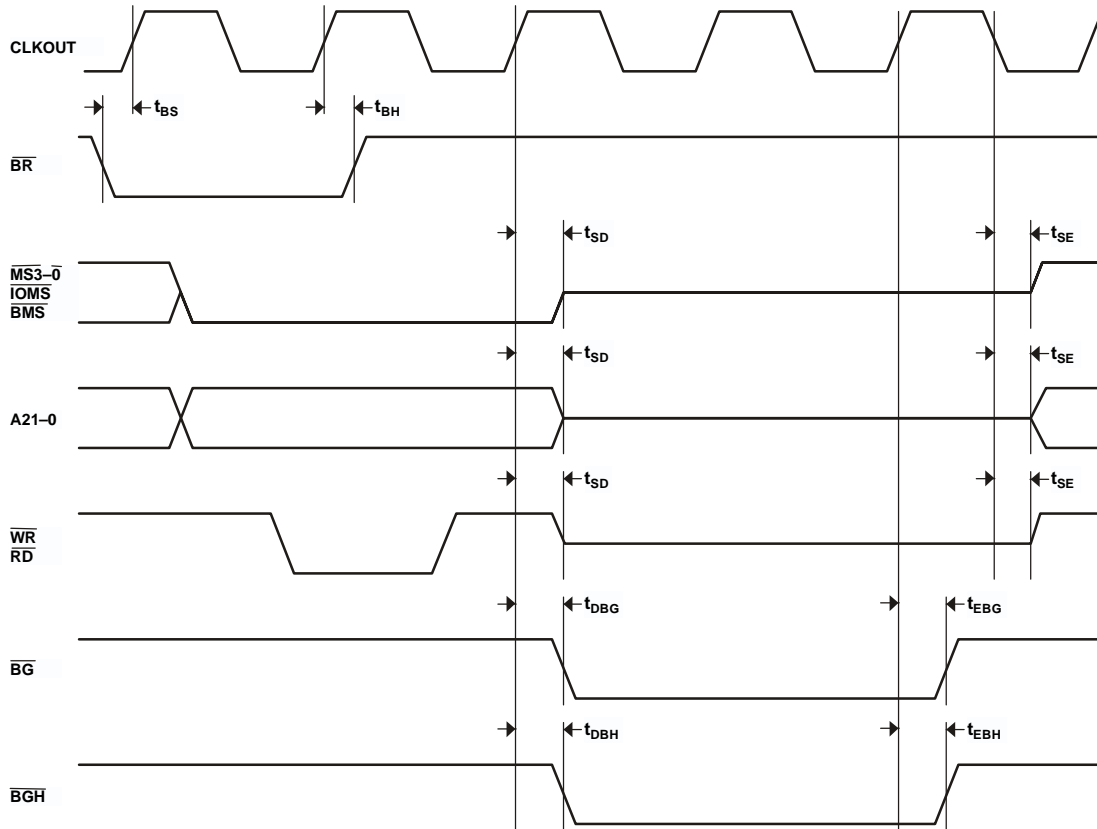


Figure 19. External Port Bus Request and Grant Cycle Timing

PRELIMINARY TECHNICAL DATA

ADSP-21990

For current information contact Analog Devices at (781) 937-1799

February 2002

Serial Port (SPORT) Clocks and Data Timing

Table 12 and Figure 20 describe SPORT transmit and receive operations.

Table 12. Serial Port (SPORT) Clocks and Data Timing¹

Parameter	Description	Min	Max	Unit
<i>Switching Characteristics</i>				
t _{HOFSE}	RFS Hold after RCLK (Internally Generated RFS) ²	0	12.4	ns
t _{DFSE}	RFS Delay after RCLK (Internally Generated RFS) ²	0	12.4	ns
t _{DDTEN}	Transmit Data Delay after TCLK ²	0	12.1	ns
t _{DDTTE}	Data Disable from External TCLK ²	0	12.0	ns
t _{DDTIN}	Data Enable from Internal TCLK ²	0	6.8	ns
t _{DDTTI}	Data Disable from Internal TCLK ²	0	6.3	ns
<i>Timing Requirements</i>				
t _{SCLKIW}	TCLK/RCLK Width	20		ns
t _{SFSI}	TFS/RFS Setup before TCLK/RCLK ³	-0.6		ns
t _{HFST}	TFS/RFS Hold after TCLK/RCLK ^{3, 4}	-0.3		ns
t _{SDRI}	Receive Data Setup before RCLK ³	-2.3		ns
t _{HDRI}	Receive Data Hold after RCLK ³	1.9		ns
t _{SCLKW}	TCLK/RCLK Width	20		ns
t _{SFSE}	TFS/RFS Setup before TCLK/RCLK ³	-0.6		ns
t _{HFSE}	TFS/RFS Hold after TCLK/RCLK ^{3, 4}	-0.6		ns
t _{SDRE}	Receive Data Setup before RCLK ³	-2.2		ns
t _{HDRE}	Receive Data Hold after RCLK ³	1.8		ns

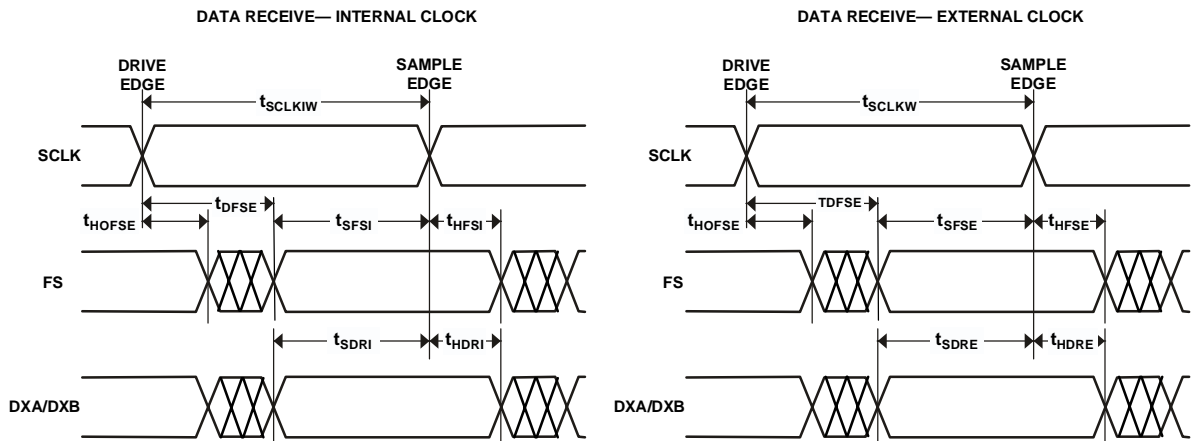
¹To determine whether communication is possible between two devices at clock speed n, the following specifications must be confirmed:

1) frame sync delay and frame sync setup and hold, 2) data delay and data setup and hold, and 3) SCLK width.

²Referenced to drive edge.

³Referenced to sample edge.

⁴RFS hold after RCLK when MCE = 1, MFD = 0 is 0 ns minimum from drive edge. TFS hold after TCLK for late external TFS is 0 ns minimum from drive edge.



NOTE: EITHER THE RISING EDGE OR FALLING EDGE OF SCLK (EXTERNAL), SCLK (INTERNAL) CAN BE USED AS THE ACTIVE SAMPLING EDGE.

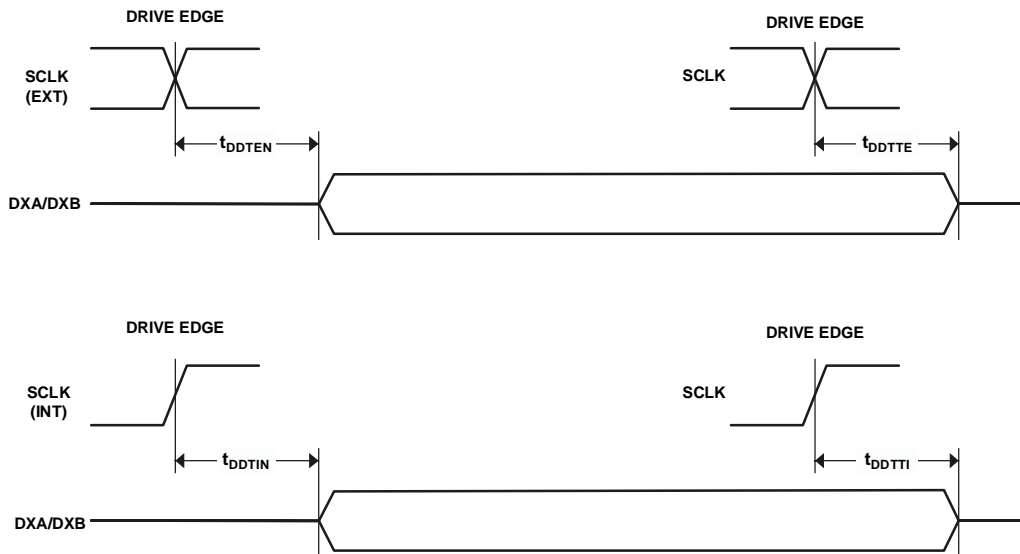


Figure 20. Serial Port (SPORT) Clocks and Data

Serial Port (SPORT) Frame Synch Timing

Table 13 and Figure 21 describe SPORT frame synch operations.

To determine whether communication is possible between two devices at clock speed n , the following specifications must be confirmed: 1) frame synch delay and frame synch setup and hold, 2) data delay and data setup and hold, and 3) R/TCLK width.

Table 13. Serial Port (SPORT) Frame Synch Timing

Parameter	Description	Min	Max	Unit
<i>Switching Characteristics</i>				
t_{HOFSE}	RFS Hold after RCLK (Internally Generated RFS) ¹		12.4	ns
t_{HOFSI}	TFS Hold after TCLK (Internally Generated TFS) ¹		12.2	ns
t_{DDTENFS}	Data Enable from late FS or MCE = 1, MFD = 0 ²		4.7	ns
t_{DDTLFSE}	Data Delay from Late External TFS or External RFS with MCE = 1, MFD = 0 ³		4.7	ns
t_{HDTE}	Transmit Data Hold after TCLK (external clk) ¹		12.4	ns
t_{HDTI}	Transmit Data Hold after TCLK (internal clk) ¹	0	12.2	ns
t_{DDTE}	Transmit Data Delay after TCLK (external clk) ¹	0	12.2	ns
t_{DDTI}	Transmit Data Delay after TCLK (internal clk) ¹	0	11.1	ns
<i>Timing Requirements</i>				
t_{SFSE}	TFS/RFS Setup before TCLK/RCLK (external clk) ³	-0.6	TBD	ns
t_{SFSI}	TFS/RFS Setup before TCLK/RCLK (internal clk) ³	-0.6	TBD	ns

¹Referenced to drive edge.

²MCE = 1, TFS enable and TFS valid follow t_{DDTLFSE} and t_{DDTENFS} .

³Referenced to sample edge.

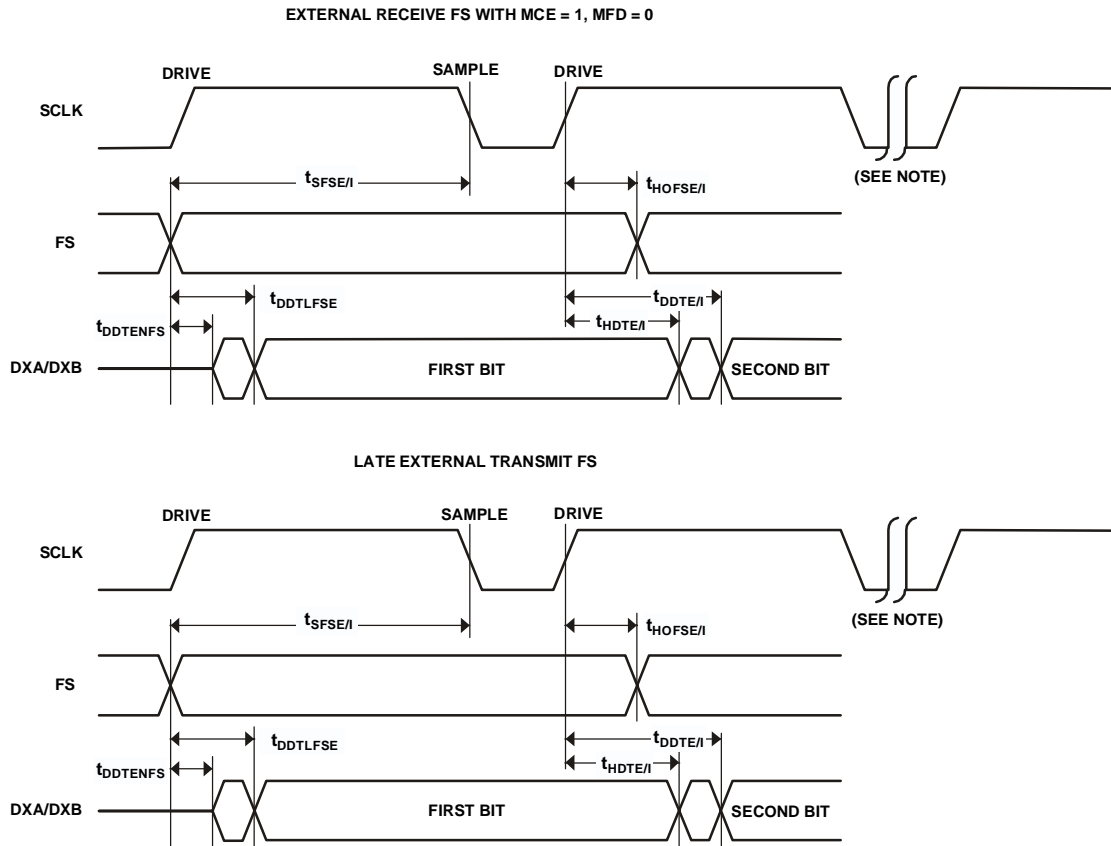


Figure 21. Serial Port (SPORT) Frame Synch

PRELIMINARY TECHNICAL DATA

ADSP-21990

For current information contact Analog Devices at (781) 937-1799

February 2002

Serial Peripheral Interface (SPI) Port—Master Timing

Table 14 and Figure 22 describe SPI port master operations.

Table 14. Serial Peripheral Interface (SPI) Port—Master Timing

Parameter	Description	Min	Max	Unit
<i>Switching Characteristics</i>				
t_{SDSCIM}	\overline{SPISS} low to first SCLK edge	$2t_{HCLK}$		ns
t_{SPICHM}	Serial clock high period	$2t_{HCLK}$		ns
t_{SPICLM}	Serial clock low period	$2t_{HCLK}$		ns
t_{SCK}	Serial clock period	$4t_{HCLK}$		ns
t_{HDSM}	Last SCLK edge to \overline{SPISS} high	$2t_{HCLK}$		ns
t_{SPITDM}	Sequential transfer delay	$2t_{HCLK}$		ns
t_{DDSPID}	SCLK edge to data out valid (data out delay)	0	6	ns
t_{HDSPID}	SCLK edge to data out invalid (data out hold)	0	5	ns
<i>Timing Requirements</i>				
t_{SSPID}	Data input valid to SCLK edge (data input setup)	1.6		ns
t_{HSPID}	SCLK sampling edge to data input invalid	1.6		ns

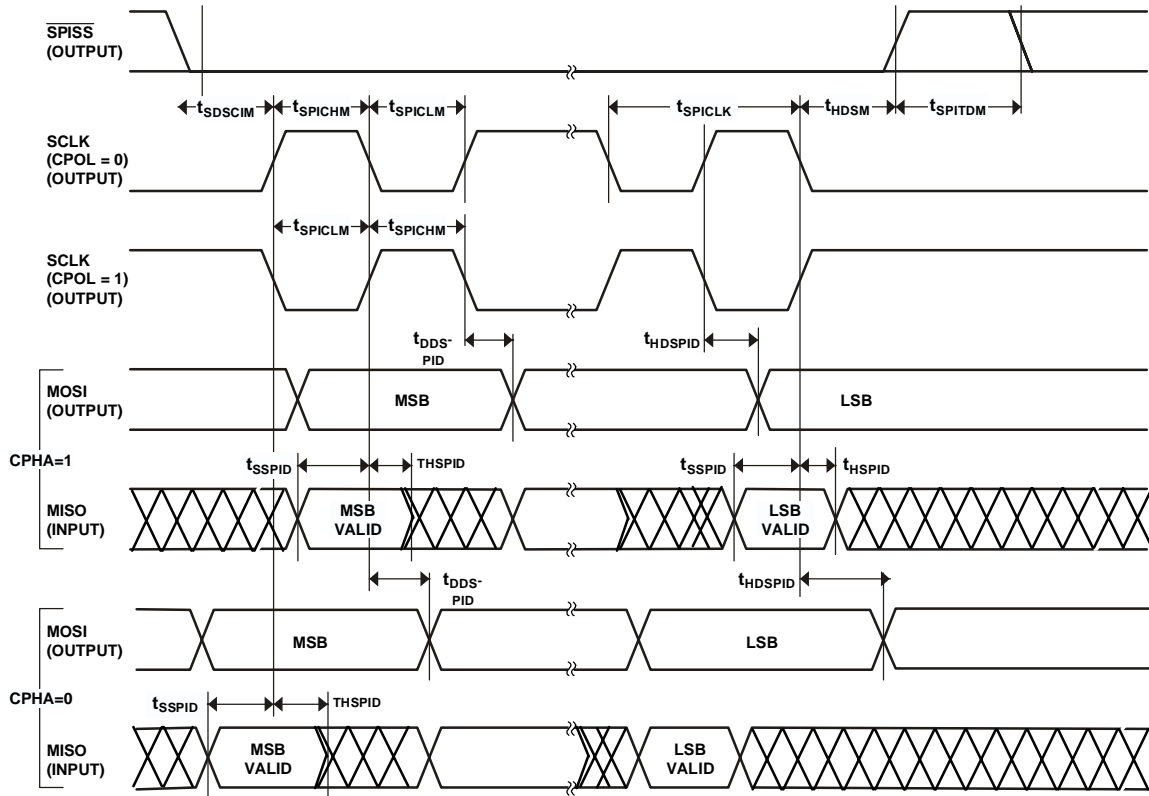


Figure 22. Serial Peripheral Interface (SPI) Port—Master

PRELIMINARY TECHNICAL DATA

ADSP-21990

For current information contact Analog Devices at (781) 937-1799

February 2002

Serial Peripheral Interface (SPI) Port—Slave Timing

Table 15 and Figure 23 describe SPI port slave operations.

Table 15. Serial Peripheral Interface (SPI) Port—Slave Timing

Parameter	Description	Min	Max	Unit
<i>Switching Characteristics</i>				
t _{DSOE}	$\overline{\text{SPISS}}$ assertion to data out active	0	6	ns
t _{DS/DHI}	$\overline{\text{SPISS}}$ deassertion to data high impedance	0	6	ns
t _{DDSPID}	SCLK edge to data out valid (data out delay)	0	5	ns
t _{HDSPID}	SCLK edge to data out invalid (data out hold)	0	5	ns
<i>Timing Requirements</i>				
t _{SPICHS}	Serial clock high period	2t _{HCLK}		ns
t _{SPICLS}	Serial clock low period	2t _{HCLK}		ns
t _{SCK}	Serial clock period	4t _{HCLK}		ns
t _{HDS}	Last SCK edge to $\overline{\text{SPISS}}$ not asserted	2t _{HCLK}		ns
t _{SPITDS}	Sequential Transfer Delay	2t _{HCLK}		ns
t _{SDSCI}	$\overline{\text{SPISS}}$ assertion to first SCK edge	2t _{HCLK}		ns
t _{SSPID}	Data input valid to SCLK edge (data input setup)	1.6		ns
t _{HSPID}	SCLK sampling edge to data input invalid	1.6		ns

JTAG Test And Emulation Port Timing

Table 16 and Figure 24 describe JTAG port operations.

Table 16. JTAG Port Timing

Parameter	Description	Min	Max	Unit
<i>Switching Characteristics</i>				
t_{DTDO}	TDO Delay from TCK Low		4	ns
t_{DSYS}	System Outputs Delay After TCK Low ¹	0	5	ns
<i>Timing Parameters</i>				
t_{TCK}	TCK Period	20		ns
t_{STAP}	TDI, TMS Setup Before TCK High		4	ns
t_{HTAP}	TDI, TMS Hold After TCK High		4	ns
t_{SSYS}	System Inputs Setup Before TCK Low ²		4	ns
t_{HSYS}	System Inputs Hold After TCK Low ²		5	ns
t_{TRSTW}	\overline{TRST} Pulsewidth ³	4		ns

¹ System Outputs = DATA15-0, ADDR21-0, $\overline{MS3-0}$, \overline{RD} , \overline{WR} , ACK, CLKOUT, \overline{BG} , PF7-0, TIMEXP, DT0, DT1, TCLK0, TCLK1, RCLK0, RCLK1, TFS0, TFS1, RFS0, RFS1, \overline{BMS} .

² System Inputs = DATA15-0, ADDR21-0, \overline{RD} , \overline{WR} , ACK, \overline{BR} , \overline{BG} , PF7-0, DR0, DR1, TCLK0, TCLK1, RCLK0, RCLK1, TFS0, TFS1, RFS0, RFS1, CLKIN, \overline{RESET} .

³ 50 MHz max.

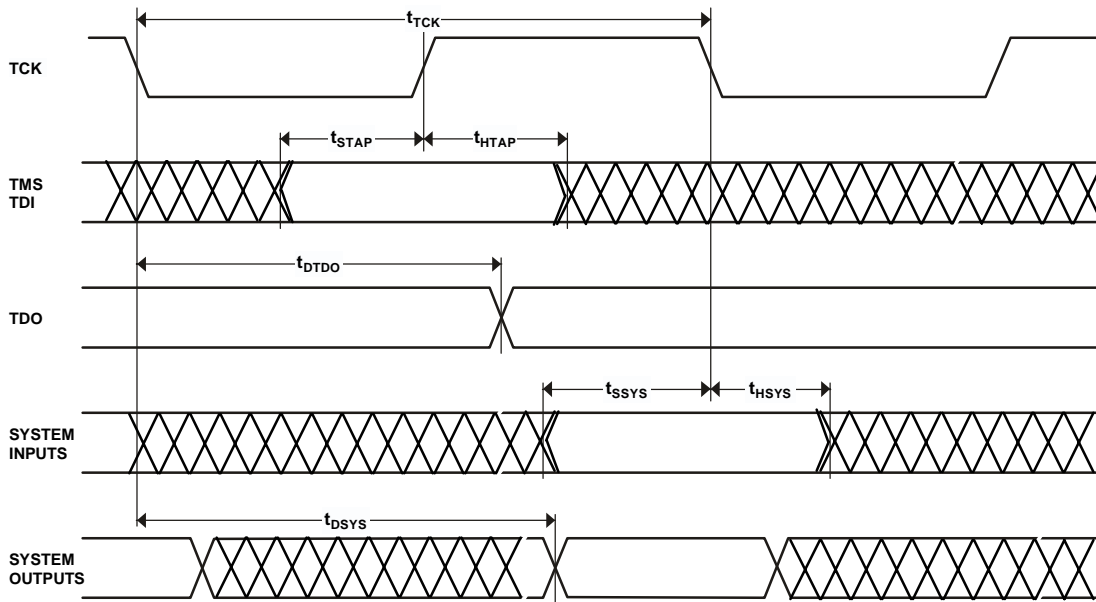


Figure 24. JTAG Port Timing

Output Drive Currents

Figure 25 shows typical current and voltage characteristics for the output drivers of the ADSP-21990. The curves represent the current drive capability of the output drivers as a function of output voltage.

Power Dissipation

Total power dissipation has two components, one due to internal circuitry and one due to the switching of external output drivers. Internal power dissipation is dependent on the instruction execution sequence and the data operands involved. Using the current specifications ($I_{DDINPEAK}$, $I_{DDINHIGH}$, $I_{DDINLOW}$, I_{DDIDLE}) from the [Electrical Characteristics on page 21](#) and the current versus operation information in [Table 17](#), designers can estimate the ADSP-21990's internal power supply (V_{DDINT}) input current for a specific application, according to the formula in [Figure 26](#).

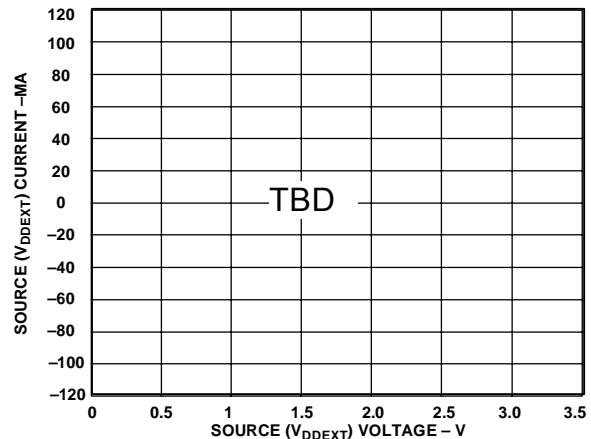


Figure 25. ADSP-21990 Typical Drive Currents

Table 17. ADSP-21990 Operation Types Versus Input Current

Operation	Typical Activity ($I_{DD\ TYPICAL}$)	High Activity ($I_{DD\ IDLE}$)	Low Activity ($I_{DD\ PWRDWN}$)
Instruction Type	TBD	TBD	TBD
Instruction Fetch	TBD	TBD	TBD
Core Memory Access ¹	TBD	TBD	TBD
Internal Memory DMA	TBD	TBD	TBD
External Memory DMA	TBD	TBD	TBD
Data bit pattern for core memory access and DMA	TBD	TBD	TBD

¹These assume a 2:1 core clock ratio. For more information on ratios and clocks (t_{CK} and t_{CCLK}), see [Clock Signals on page 12](#).

$$I_{DDINT} = (\%Typical \times I_{DD-TYPICAL}) + (\%Idle \times I_{DD-IDLE}) + (\%Powerdown \times I_{DD-PWRDWN})$$

Figure 26. I_{DDINT} Calculation

The external component of total power dissipation is caused by the switching of output pins. Its magnitude depends on:

- The number of output pins that switch during each cycle (O)
- The maximum frequency at which they can switch (f)
- Their load capacitance (C)
- Their voltage swing (V_{DD})

and is calculated by the formula in [Figure 27](#).

$$P_{EXT} = O \times C \times V_{DD}^2 \times f$$

Figure 27. P_{EXT} Calculation

The load capacitance should include the processor's package capacitance (C_{IN}). The switching frequency includes driving the load high and then back low. Address and data pins can drive high and low at a maximum rate of $1/(2t_{CK})$. The write strobe can switch every cycle at a frequency of $1/t_{CK}$. Select pins switch at $1/(2t_{CK})$, but selects can switch on each cycle. For example, estimate P_{EXT} with the following assumptions:

- A system with one bank of external data memory—asynchronous RAM (16-bit)
- Four 8K×16 RAM chips are used, each with a load of 10 pF
- External data memory writes occur every other cycle, a rate of $1/(4t_{CK})$, with 50% of the pins switching
- The bus cycle time is 50 MHz ($t_{CK} = 20$ ns)

The P_{EXT} equation is calculated for each class of pins that can drive as shown in Table 18.

Table 18. P_{EXT} Calculation

Pin Type	# of Pins	% Switching	$\times C$	$\times f$	$\times V_{DD}^2$	= P_{EXT}
Address	15	50	$\times 44.7 \text{ pF}$	$\times 12.5 \text{ MHz}$	$\times 10.9 \text{ V}$	= 0.046 W
\overline{MSx}	1	0	$\times 44.7 \text{ pF}$	$\times 12.5 \text{ MHz}$	$\times 10.9 \text{ V}$	= 0.000 W
\overline{WR}	2	100	$\times 44.7 \text{ pF}$	$\times 25 \text{ MHz}$	$\times 10.9 \text{ V}$	= 0.024 W
Data	64	50	$\times 14.7 \text{ pF}$	$\times 12.5 \text{ MHz}$	$\times 10.9 \text{ V}$	= 0.064 W
CLKOUT	1	100	$\times 4.7 \text{ pF}$	$\times 25 \text{ MHz}$	$\times 10.9 \text{ V}$	= 0.001 W
						$P_{EXT} = 0.135 \text{ W}$

A typical power consumption can now be calculated for these conditions by adding a typical internal power dissipation with the formula in Figure 28.

$$P_{TOTAL} = P_{EXT} + P_{INT}$$

Figure 28. P_{TOTAL} (Typical) Calculation

Where:

- P_{EXT} is from Table 18
- P_{INT} is $I_{DDINT} \times 2.5V$, using the calculation I_{DDINT} listed in Power Dissipation on page 41

Note that the conditions causing a worst case P_{EXT} are different from those causing a worst case P_{INT} . Maximum P_{INT} cannot occur while 100% of the output pins are switching from all ones to all zeros. Note also that it is not common for an application to have 100% or even 50% of the outputs switching simultaneously.

Test Conditions

The DSP is tested for output enable, disable, and hold time.

Output Disable Time

Output pins are considered to be disabled when they stop driving, go into a high impedance state, and start to decay from their output high or low voltage. The time for the voltage on the bus to decay by $-V$ is dependent on the capacitive load, C_L and the load current, I_L . This decay time can be approximated by the equation in Figure 29.

$$t_{DECAY} = \frac{C_L \Delta V}{I_L}$$

Figure 29. Decay Time Calculation

The output disable time t_{DIS} is the difference between $t_{MEASURED}$ and t_{DECAY} as shown in Figure 30. The time $t_{MEASURED}$ is the interval from when the reference signal switches to when the output voltage decays $-V$ from the measured output high or output low voltage. The t_{DECAY} is calculated

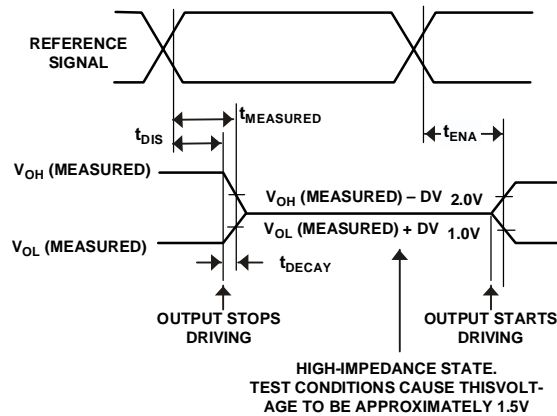


Figure 30. Output Enable/Disable

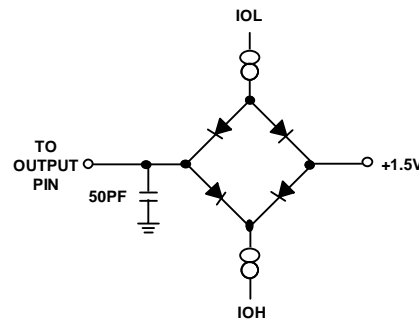


Figure 31. Equivalent Device Loading for AC Measurements (Includes All Fixtures)



Figure 32. Voltage Reference Levels for AC Measurements (Except Output Enable/Disable)

Output Enable Time

Output pins are considered to be enabled when they have made a transition from a high impedance state to when they start driving. The output enable time t_{ENA} is the interval from when a reference signal reaches a high or low voltage level to when the output has reached a specified high or low trip point, as shown in the Output Enable/Disable diagram (Figure 30). If multiple pins (such as the data bus) are enabled, the measurement value is that of the first pin to start driving.

Example System Hold Time Calculation

To determine the data output hold time in a particular system, first calculate t_{DECAY} using the equation given in Figure 29. Choose $-V$ to be the difference between the ADSP-21990's output voltage and the input threshold for the device requiring the hold time. A typical $-V$ will be 0.4 V. C_L is the total bus capacitance (per data line), and I_L is the total leakage or three state current (per data line). The hold time will be t_{DECAY} plus the minimum disable time (i.e., t_{DATRWH} for the write cycle).

Capacitive Loading

Output delays and holds are based on standard capacitive loads: 50 pF on all pins (see Figure 35). The delay and hold specifications given should be derated by a factor of 1.5 ns/50 pF for loads other than the nominal value of 50 pF. Figure 33 and Figure 34 show how output rise time varies with capacitance. These figures also show graphically how output delays and holds vary with load capacitance. (Note that this graph or derating does not apply to output disable delays; see Output Disable Time on page 42.) The graphs in these figures may not be linear outside the ranges shown.

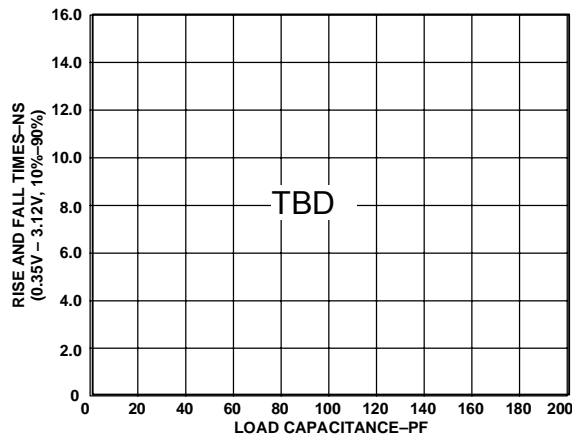


Figure 33. Typical Output Rise Time (10%–90%, $V_{DDEXT} = Max$) vs. Load Capacitance

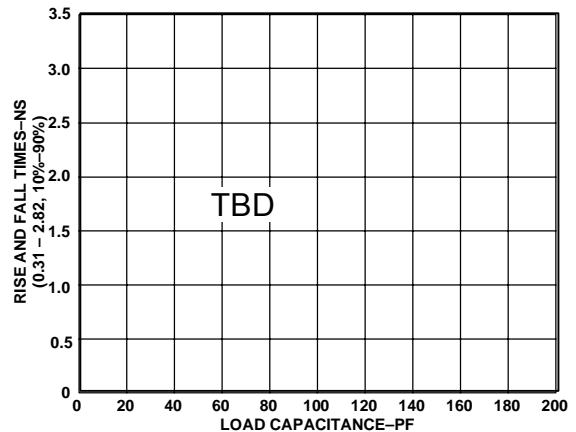


Figure 34. Typical Output Rise Time (10%–90%, $V_{DDEXT} = Min$) vs. Load Capacitance

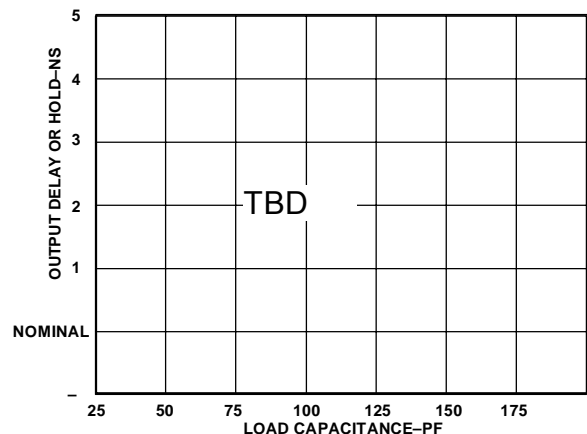


Figure 35. Typical Output Delay or Hold vs. Load Capacitance (at Max Case Temperature)

Environmental Conditions

The thermal characteristics in which the DSP is operating influence performance.

Thermal Characteristics

The ADSP-21990 comes in a 196-lead Ball Grid Array (mini-BGA) package. The ADSP-21990 is specified for an ambient temperature (T_{AMB}) as calculated using the formula in Figure 36. To ensure that the T_{AMB} data sheet specification is not exceeded, a heatsink and/or an air flow source may be used. A heatsink should be attached to the ground plane (as close as possible to the thermal pathways) with a thermal adhesive.

$$T_{AMB} = T_{CASE} - PD \times \theta_{CA}$$

Figure 36. T_{CASE} Calculation

Where:

- T_{AMB} = Ambient temperature (measured near top surface of package)
- PD = Power dissipation in W (this value depends upon the specific application; a method for calculating PD is shown under Power Dissipation).
- θ_{CA} = Value from [Table 19](#).
- θ_{JB} = TBD°C/W

There are some important things to note about these T_{AMB} calculations and the values in [Table 19](#):

- This represents thermal resistance at total power of TBD W.
- For the mini-BGA package: $\theta_{JC} = 8.4^\circ\text{C/W}$

Table 19. θ_{CA} Values¹

Airflow (Linear Ft./Min.)	0	100	200	400	600
Airflow (Meters/Second)	0	0.5	1	2	3
Mini-BGA: θ_{CA} ($^\circ\text{C/W}$)	26	24	22	20.9	19.8

¹These are preliminary estimates.

ADSP-21990 Pinout

[Table 20](#) identifies the ball number for each signal (pin) name.

[Table 21](#) identifies the pin name for each ball number.

[Table 5](#) describes each pin name.

PRELIMINARY TECHNICAL DATA

February 2002

For current information contact Analog Devices at (781) 937-1799

ADSP-21990

**Table 20. ADSP-21990
Ball Number By Pin
Name**

Pin Name	Ball #
A0	N1
A1	N2
A2	M1
A3	M2
A4	L1
A5	L2
A6	K1
A7	K2
A8	J1
A9	J2
A10	H1
A11	H2
A12	G1
A13	G2
A14	F1
A15	F2
A16	E1
A17	E2
A18	D1
A19	D2
ACK	D4
AH	N11
AL	M10
ASHAN	B6
AUXTRIP	D10
AUX1	D12
AUX0	D13
AVDD	D5
AVDD	D6
AVSS	D7
AVSS	D8
BG	F3
BGH	G3
BL	P11
BH	P12
BMODE0	M14
BMODE2	L12
BMODE1	L13
BMS	J3
BR	C1
BSHAN	A6
BYPASS	M13
CAPB	B9
CAPT	C7
CH	N10
CL	M9
CLKIN	L14
CLKOUT	G14
CML	C9

**Table 20. ADSP-21990
Ball Number By Pin
Name**

Pin Name	Ball #
CONVST	G13
D0	P10
D1	N9
D2	P9
D3	N8
D4	P8
D5	N7
D6	P7
D7	N6
D8	P6
D9	N5
D10	P5
D11	N4
D12	P4
D13	N3
D14	P3
D15	P2
DR0	A2
DT0	A3
EIA	E12
EIB	E13
EIS	E14
EIZ	F12
EMU	K12
GND	E4
GND	E11
GND	F4
GND	G11
GND	H4
GND	J11
GND	K4
GND	K5
GND	K6
GND	K7
GND	K8
GND	K9
GND	K10
GND	L11
GND	M4
GND	M6
IOMS	D3
MISO	C3
MOSI	C4
MS0	K3
MS1	L3
MS2	M3
MS3	H3
NC	A1
NC	A14
NC	E6

**Table 20. ADSP-21990
Ball Number By Pin
Name**

Pin Name	Ball #
NC	E7
NC	E8
NC	E9
NC	E10
NC	F5
NC	F6
NC	F7
NC	F8
NC	F9
NC	F10
NC	G5
NC	G6
NC	G7
NC	G8
NC	G9
NC	G10
NC	H5
NC	H6
NC	H7
NC	H8
NC	H9
NC	H10
NC	J5
NC	J6
NC	J7
NC	J8
NC	J9
NC	J10
NC	M8
NC	N12
NC	P1
NC	P13
NC	P14
PF0	A10
PF1	B10
PF2	C10
PF3	D9
PF4	A11
PF5	B11
PF6	A12
PF7	A13
PF8	B12
PF9	B13
PF10	C11
PF11	C12
PF12	C13
PF13	B14
PF14	C14
PF15	D14
POR	H13

**Table 20. ADSP-21990
Ball Number By Pin
Name**

Pin Name	Ball #
PWMPOL	M11
PWMSYNC	N13
PWMSR	N14
PWMTRIP	M12
RCLK0	B2
RD	C2
RESET	H14
RFS0	A4
SCK	B1
SENSE	B8
TCK	J13
TCLK0	B3
TDI	J14
TDO	K14
TFS0	B4
TMR0	H12
TMR1	G12
TMR2	F13
TMS	J12
TRST	K13
VDDEXT	D11
VDDEXT	E5
VDDEXT	H11
VDDEXT	J4
VDDEXT	L4
VDDEXT	L6
VDDEXT	L9
VDDEXT	L10
VDDEXT	M5
VDDEXT	M7
VDDINT	G4
VDDINT	L5
VDDINT	L7
VDDINT	L8
VDDINT	K11
VDDINT	F11
VIN0	A7
VIN1	A8
VIN2	B7
VIN3	A9
VIN4	A5
VIN5	C6
VIN6	B5
VIN7	C5
VREF	C8
WR	E3
XTAL	F14

PRELIMINARY TECHNICAL DATA

ADSP-21990

For current information contact Analog Devices at (781) 937-1799

February 2002

**Table 21. ADSP-21990
Pin Name By Ball
Number**

Ball #	Pin Name
A1	NC
A2	DR0
A3	DT0
A4	RFS0
A5	VIN4
A6	BSHAN
A7	VIN0
A8	VIN1
A9	VIN3
A10	PF0
A11	PF4
A12	PF6
A13	PF7
A14	NC
B1	SCK
B2	RCLK0
B3	TCLK0
B4	TFS0
B5	VIN6
B6	ASHAN
B7	VIN2
B8	SENSE
B9	CAPB
B10	PF1
B11	PF5
B12	PF8
B13	PF9
B14	PF13
C1	\overline{BR}
C2	\overline{RD}
C3	MISO
C4	MOSI
C5	VIN7
C6	VIN5
C7	CAPT
C8	VREF
C9	CML
C10	PF2
C11	PF10
C12	PF11
C13	PF12
C14	PF14
D1	A18
D2	A19
D3	\overline{IOMS}
D4	ACK
D5	AVDD
D6	AVDD
D7	AVSS

**Table 21. ADSP-21990
Pin Name By Ball
Number**

Ball #	Pin Name
D8	AVSS
D9	PF3
D10	$\overline{AUXTRIP}$
D11	VDDEXT
D12	AUX1
D13	AUX0
D14	PF15
E1	A16
E2	A17
E3	\overline{WR}
E4	GND
E5	VDDEXT
E6	NC
E7	NC
E8	NC
E9	NC
E10	NC
E11	GND
E12	EIA
E13	EIB
E14	EIS
F1	A14
F2	A15
F3	\overline{BG}
F4	GND
F5	NC
F6	NC
F7	NC
F8	NC
F9	NC
F10	NC
F11	VDDINT
F12	EIZ
F13	TMR2
F14	XTAL
G1	A12
G2	A13
G3	\overline{BGH}
G4	VDDINT
G5	NC
G6	NC
G7	NC
G8	NC
G9	NC
G10	NC
G11	GND
G12	TMR1
G13	CONVST
G14	CLKOUT
H1	A10

**Table 21. ADSP-21990
Pin Name By Ball
Number**

Ball #	Pin Name
H2	A11
H3	$\overline{MS3}$
H4	GND
H5	NC
H6	NC
H7	NC
H8	NC
H9	NC
H10	NC
H11	VDDEXT
H12	TMR0
H13	\overline{POR}
H14	\overline{RESET}
J1	A8
J2	A9
J3	\overline{BMS}
J4	VDDEXT
J5	NC
J6	NC
J7	NC
J8	NC
J9	NC
J10	NC
J11	GND
J12	TMS
J13	TCK
J14	TDI
K1	A6
K2	A7
K3	$\overline{MS0}$
K4	GND
K5	GND
K6	GND
K7	GND
K8	GND
K9	GND
K10	GND
K11	VDDINT
K12	\overline{EMU}
K13	\overline{TRST}
K14	TDO
L1	A4
L2	A5
L3	$\overline{MS1}$
L4	VDDEXT
L5	VDDINT
L6	VDDEXT
L7	VDDINT
L8	VDDINT
L9	VDDEXT

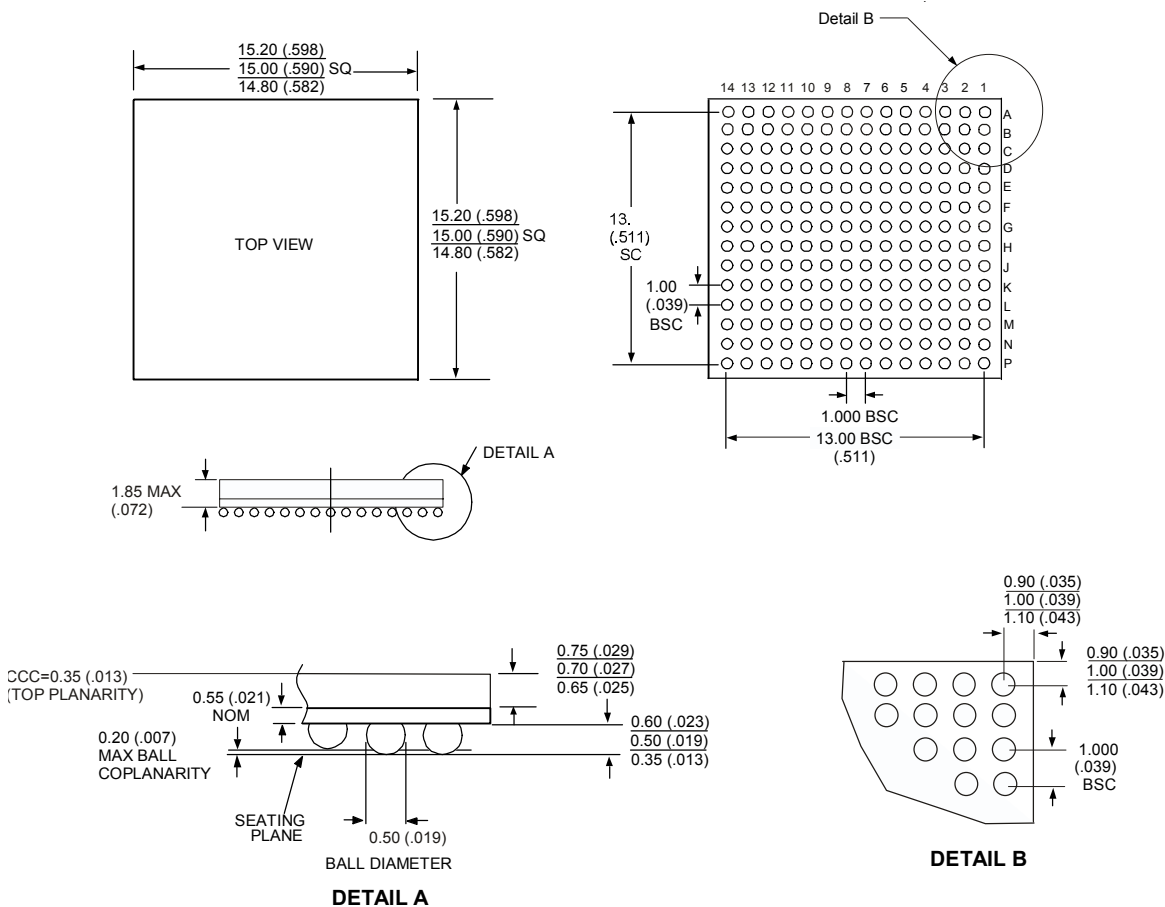
**Table 21. ADSP-21990
Pin Name By Ball
Number**

Ball #	Pin Name
L10	VDDEXT
L11	GND
L12	BMODE2
L13	BMODE1
L14	CLKIN
M1	A2
M2	A3
M3	$\overline{MS2}$
M4	GND
M5	VDDEXT
M6	GND
M7	VDDEXT
M8	NC
M9	CL
M10	AL
M11	\overline{PWMPOL}
M12	$\overline{PWMTRIP}$
M13	BYPASS
M14	BMODE0
N1	A0
N2	A1
N3	D13
N4	D11
N5	D9
N6	D7
N7	D5
N8	D3
N9	D1
N10	CH
N11	AH
N12	NC
N13	$\overline{PWMSYNC}$
N14	\overline{PWMSR}
P1	NC
P2	D15
P3	D14
P4	D12
P5	D10
P6	D8
P7	D6
P8	D4
P9	D2
P10	D0
P11	BL
P12	BH
P13	NC
P14	NC

OUTLINE DIMENSIONS

Dimensions in the outline diagram are shown in millimeters.

196-BALL MINI-BGA (CA-196)



NOTE 1
 THE ACTUAL POSITION OF THE BALL POPULATION IS WITHIN 0.150 (0.006) OF ITS IDEAL POSITION RELATIVE TO THE PACKAGE EDGES. THE ACTUAL POSITION OF EACH BALL IS WITHIN 0.05 (0.002) OF ITS IDEAL POSITION RELATIVE TO THE BALL POPULATION.

NOTE 2
 ALL MEASUREMENTS ARE PROVIDED IN METRIC AND (ENGLISH) UNITS. BECAUSE THIS IS A METRIC PACKAGE, THE ENGLISH MEASUREMENTS ARE PROVIDED AS A COURTESY. ANALOG DEVICES STRONGLY RECOMMENDS THAT YOU DESIGN WITH THE METRIC MEASUREMENTS ONLY. THE SOLDER BALL MATRIX OF THIS PACKAGE IS 14 X 14

ORDERING GUIDE

Part Number	Ambient Temperature Range	Instruction Rate	Operating Voltage
ADSP-21990BCA	-40°C to +85°C	160 MHz	2.5 Int./3.3 Ext. V

PRELIMINARY TECHNICAL DATA

February 2002

For current information contact Analog Devices at (781) 937-1799

ADSP-21990