

# 60 Watts

## AEQ15

High Efficiency



Total Power: 60 Watts  
 Input Voltages: 48V  
 No. of Outputs: Dual

### Electrical Specs

#### Input

Input Range 36 to 75 VDC  
 Input Surge 100V /100ms  
 Efficiency 90% @5.0/3.3V (balanced Load)

#### Output

Regulation 5V  $\pm 4\%$  Vo  
 3.3V  $\pm 3\%$  Vo  
 Full Load Current 5V @ 12A  
 3.3V @ 15A  
 60W total output power  
 Noise/Ripple<sup>1</sup> 100mV max

Transient Response  
 (25% to 50% Step Load) 5% max deviation at 5V  
 200mV (outputs below 5V)  
 500 $\mu$ s recovery

Overvoltage Protection 130% nominal output  
 Current Limit (Typ) 130% I<sub>max</sub> (typ)  
 Switching Frequency 360kHz (nom)  
 Capacitive Load 10,000 $\mu$ F (max)

#### Control

Output Voltage Adjust 90 to 110% Vo  
 Enable TTL compatible  
 (positive & negative enable options)

Specifications subject to change without notice.

### Special Features

- High efficiency
- -40°C to +100°C Baseplate operating temperature
- Industry standard package 1.50" x 2.30" x 0.5"
- High capacitive load limit on start-up
- Regulation to zero load
- Fixed frequency switching
- OCP, OVP, OTP (Autorecovery)
- Undervoltage Lockout with Hysterisis

### Environmental

Operating case temperature range:

-40°C to +100°C

Storage temperature: -55°C to +125°C

Overtemperature protection: 110°C typical

MTBF: > 1 million hours

### Safety

UL, cUL 1950 Recognized

TUV EN60950 Licensed



## Ordering Information

Input Voltage	Output Voltage	Maximum Load Current*	Model Number
48V	5V / 3.3V	12A/15A	AEQ15AF48
48V	5V / 3.3V	12A/15A	AEQ15AF48-6
48V	5V / 3.3V	12A/15A	AEQ15AF48N
48V	5V / 3.3V	12A/15A	AEQ15AF48N-6

\* Total power both outputs combined not to exceed 60Watts.

Enable Function "N" = negative logic enable  
 without "N" = positive enable

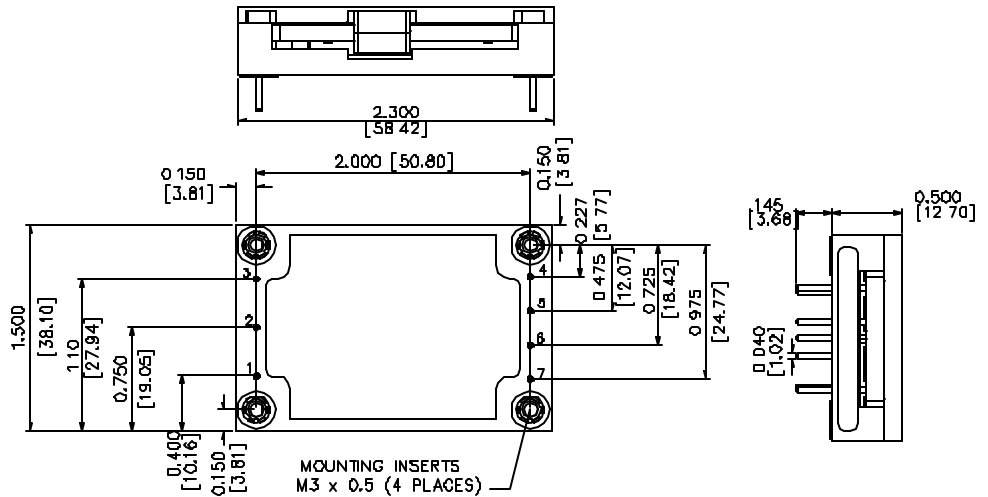
Pin Length without "-6" = 5mm (default standard)  
 "-6" = 3.7mm (nom);

For other Dual Output Open-Frame Quarter Brick series, please refer to the ALQ15 data sheet.

## Pin Assignments

### Dual Output

1. +Vin
2. Enable
3. -Vin
4. Vo2
5. Rtn
6. Trim
7. Vo1



Dimensions in / [mm]

### Notes:

1. 20 mHz bandwidth. External 10 uF tant. capacitor + 0.1 uF cer. capacitor placed from +V out to -V out.
2. Requires a 2.2 mf, 100V film capacitor connected between +V in and -V in to meet FCC class A and ETS300-386-1 requirements for conducted noise. Consult Factory for filtering information to meet FCC class B, VDE or EIC specifications.
3. All specifications are typical at nominal line, full load, and 25°C unless otherwise noted.
4. All specifications subject to change without notice. Mechanical drawings are for reference only
5. Technical Reference Notes should be consulted for detailed information when available
6. Warranty: 1yr