

75 Amps AEQ75Y48

High Efficiency Quarter Brick



Total Power: 135W
Input Voltages: 48V
No. of Outputs: Single

Electrical Specs

Input

Input Range	36 to 75 VDC
Input Surge	100V /100ms
Efficiency	89% typical

Output

Output Current	75A max
Line/Load Regulation	<0.15%Vo typical
Noise/Ripple	25mV typical
Remote sense	Up to 10% of Vo
Transient Response	4% deviation typical 50% to 75% Load change 0.1A/μs Slew Rate 100μs recovery
Oversoltage Protection	120% Vo (autorecovery)
Current Limit	110% Io (autorecovery)
Switching Frequency	500kHz

Control

Voltage Adjust	90 to 110% Vo
Enable	TTL compatible (Positive or Negative Logic options)

Special Features

- High Efficiency
- Baseplate construction
- Industry standard package 1.45" x 2.30"
- Redundant output power pins
- Startup and stable operation at high capacitive load
- Remote sense compensation
- Regulation to zero load
- Fixed frequency switching
- Basic insulation
- EU Directive 2002/95/EC Compliant for RoHS

Environmental

Operating temperature range:
-40°C to +105°C Baseplate
Storage temperature: -40°C to +125°C
Overtemperature protection: 115°C PCB
temperature (Typical)
MTBF: > 1 million hours

Safety

UL, cUL 60950
TUV EN60950

AMERICAS

5810 Van Allen Way
 Carlsbad, CA 92008
 Telephone: 760-930-4600
 Facsimile: 760-930-0698

EUROPE

Astec House, Waterfront Business Park
 Merry Hill, Dudley
 West Mdlands, DY5 1LX, UK
 Telephone: 44 (1384) 842-211
 Facsimile: 44 (1384) 843-355

ASIA

Units 2111-2116, Level 21
 Tower1, Metroplaza
 223, Hing Fong Road
 Fwa Fong, New Territories
 Hong Kong
 Telephone: 852-2437-9662
 Facsimile: 852-2402-4426



AEQ75Y48

Ordering Information

Input Voltage	Output Voltage	Output Current	Efficiency	Model Number
36V to 75V	1.8V	75A	89% Typ	AEQ75Y48(N) - (6)(3)(L)

OPTIONS

- suffix "N" = Negative Logic Enable (without suffix "N" designates Positive Logic Enable)
- suffix "6" = 3.7mm nominal pin length (5mm pin length default)
- suffix "-3" = single pair of output pins (Pins 4 and 10 unstuffed)
- without suffix "-3" = double pair of output pins (Pins 4, 5, 9, 10 are present)
- suffix "L" = RoHS compliant (RoHS 6) / "Blanks" = RoHS compliant with Lead (Pb) in solder exemption (RoHS 5)

Pin Assignments

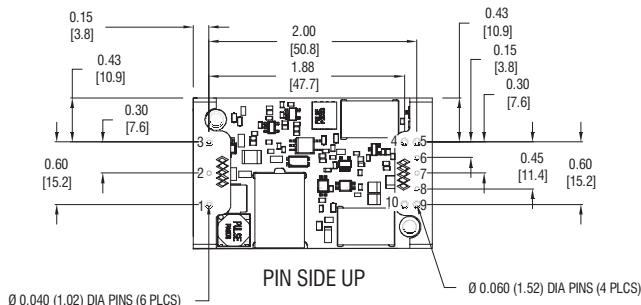
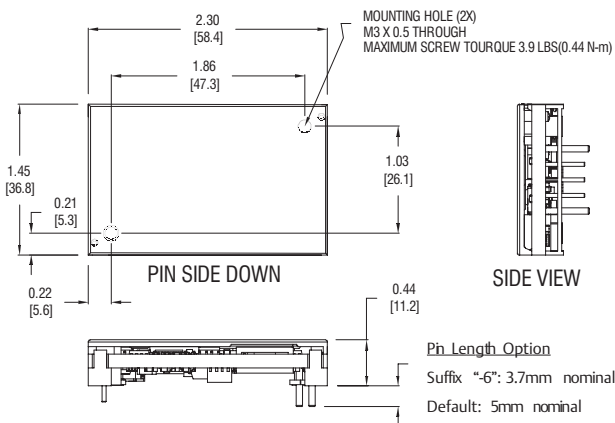
Single Output

- +Vin
- Enable
- Vin
- Common (OPTIONAL)
- Common
- Sense
- Trim
- + Sense
- + Vout
- + Vout (OPTIONAL)

Notes:

- Nominal values apply with sense pins connected to +Vout and Ground Return with other control pins unconnected.
- Consult the Technical Reference Notes for more detailed information.
- Dimensions provided in the mechanical outline are nominal values.
- Specifications subject to change without notice.
- 2 Year warranty

* Astec reserves the right to make changes to the information contained herein without notice and assumes no liability as a result of its use or application. (REV02: DECEMBER 20, 2006)



Astec Industry