

# 10 Watts

## AER03

**Total Power:** 10 Watts  
**Input Voltages:** 5 V  
**No. of Outputs:** Single



www.DataSheet4U.com

### Electrical Specs

#### Input

Input range 4.5V - 5.5Vdc  
 Input Surge 10V  
 Efficiency 88%@3.3V

#### Control

Enable TTL compatible  
 (positive enable option)

#### Output

Regulation (Line, Load, Temp) <3%  
 Ripple and noise 30mV  
 Transient Response 1% max deviation with  
 50% to 75% full load  
 40  $\mu$ S (max) recovery

Specifications subject to change without notice.

### Special Features

- Point of load (POL) applications
- Positive enable function
- Low output ripple and noise
- Fixed frequency switching (150 kHz)
- Overvoltage, over current protection
- Small 1 X 1 Footprint
- Non-Isolated

### Environmental

Operating temperature  
 -25°C to +95°C  
 Storage temperature: -40°C to +125°C  
 MTBF: = 5 million hours

### Safety

**UL, cUL** 1950 Recognized  
**TUV** EN60950 Licensed

AMERICAS

5810 Van Allen Way  
 Carlsbad, CA 92008  
 Telephone: 760-930-4600  
 Facsimile: 760-930-0698

EUROPE

Astec House, Waterfront Business Park  
 Merry Hill, Dudley  
 West Midlands, DY5 1LX, UK  
 Telephone: 44 (1384) 842-211  
 Facsimile: 44 (1384) 843-355

ASIA

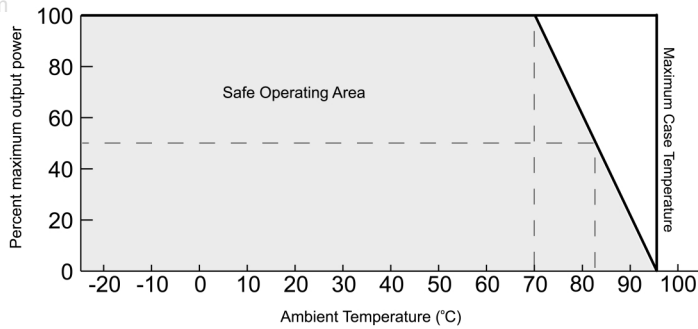
Units 2111-2116, Level 21  
 Tower1, Metroplaza  
 223, Hing Fong Road  
 Fwai Fong, New Territories  
 Hong Kong  
 Telephone: 852-2437-9662  
 Facsimile: 852-2402-4426



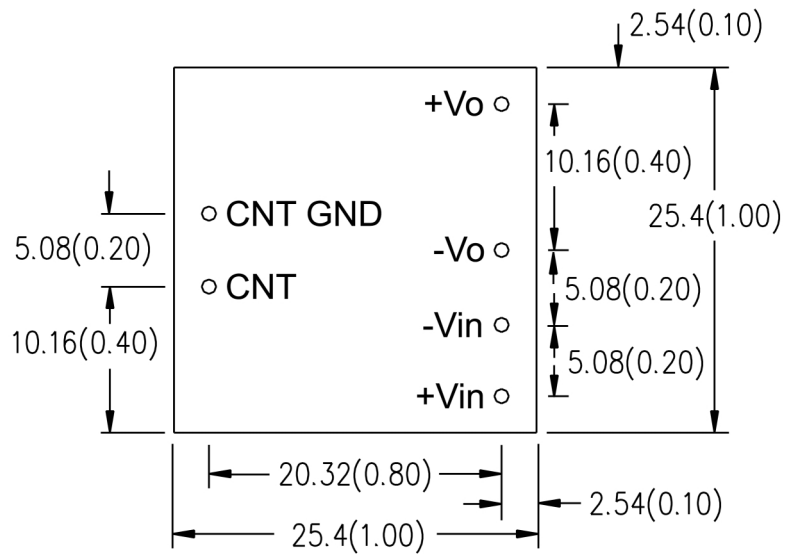
AER03

## Ordering Information

Input Voltage	Output Voltage	Efficiency Full Load	Model Number
4.5V-5.5V	3.3V @ 3A	88% (Typ)	AER03F05N

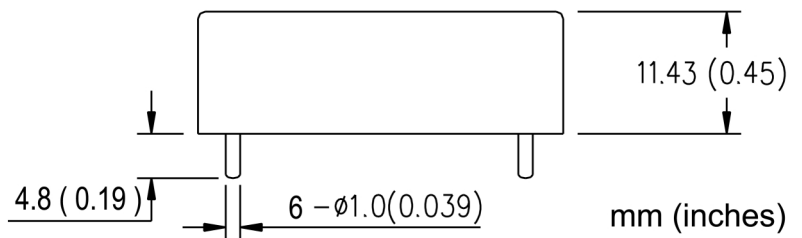


AM10 Temperature Derating



**Notes:**

- 20 mHz bandwidth. External 10 uF tant. capacitor + 0.1 uF cer. capacitor placed from +V out to -V out.
- All specifications are typical at nominal line, full load, and 25°C unless otherwise noted.
- All specifications subject to change without notice. Mechanical drawings are for reference only.
- Technical Reference Notes should be consulted for detailed information when available.
- Warranty: 1yr



mm (inches)