

AEY EV Fuse



FEATURES:

- 70 VDC automotive fuse
- Rated Current: 10-500 A
- Operating Temperature: -40 to 125°C degrees
- Rated Breaking Capacity: 2.5 kA at 70 VDC
- Bolt Size: M8
- Torque: M8:12N·m
- Recommended fuse holder: BHR059-25-M8; BHR051-25-M8; BFR050-28-M8

DESCRIPTION

Adler AEY series EV fuses are specially engineered and tested to provide best-in-class protection performance in protecting high power battery charging and managing systems of Electrical Vehicles and Hybrid Electrical Vehicles, up to 70 VDC in ratings from 10A to 500A.

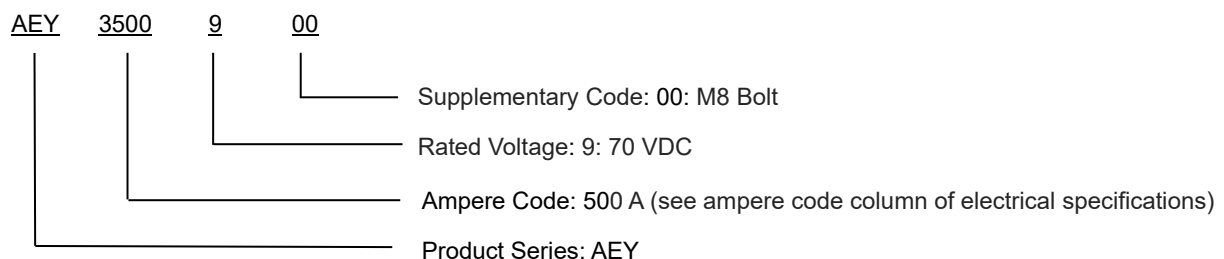
APPROVALS INFORMATION:

- Ref. to: UL248, ISO20934, ISO8820-5
- Approvals: UL (E485737) and TÜV (50551893)
- Manufactured under IATF 16949 quality system
- RoHS and REACH Compliant

APPLICATIONS

Charging protection
BMS Protection

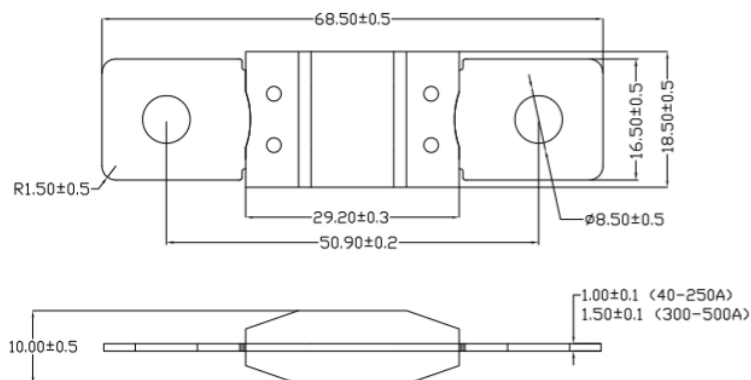
PART NUMBERING SYSTEM



ELECTRICAL SPECIFICATIONS

Part Number	Rated Current	Ampere Code	Rated Voltage	Breaking Capacity	Voltage Drop Max. (mV)	I2t (A2s)		Certifications	
						Pre-Arcing	Total	cURus	TUV
AEY2100900	10 A	2100	70 VDC	2.5 kA@70 VDC	135	120	178	•	•
AEY2150900	15 A	2150				380	450	•	•
AEY2200900	20 A	2200				620	700	•	•
AEY2250900	25 A	2250				860	1093	•	•
AEY2300900	30 A	2300				4300	1800	•	•
AEY2350900	35 A	2350				5900	3062	•	•
AEY2400900	40 A	2400				7600	8000	•	•
AEY2500900	50 A	2500				11875	12500	•	•
AEY2600900	60 A	2600				17100	18000	•	•
AEY2700900	70 A	2700				23275	24500	•	•
AEY2800900	80 A	2800			30400	32000	•	•	
AEY3100900	100 A	3100			110	47500	50000	•	•
AEY3125900	125 A	3125				74219	78125	•	•
AEY3150900	150 A	3150				106875	112500	•	•
AEY3175900	175 A	3175				145469	153125	•	•
AEY3200900	200 A	3200				190000	200000	•	•
AEY3225900	225 A	3225				240469	253125	•	•
AEY3250900	250 A	3250				296875	312500	•	•
AEY3300900	300 A	3300				427500	450000	•	•
AEY3350900	350 A	3350				781250	800000	•	•
AEY3400900	400 A	3400				80	1120000	1200000	•
AEY3450900	450 A	3450			1417500		1518750	•	•
AEY3500900	500 A	3500			1750000		1875000	•	•

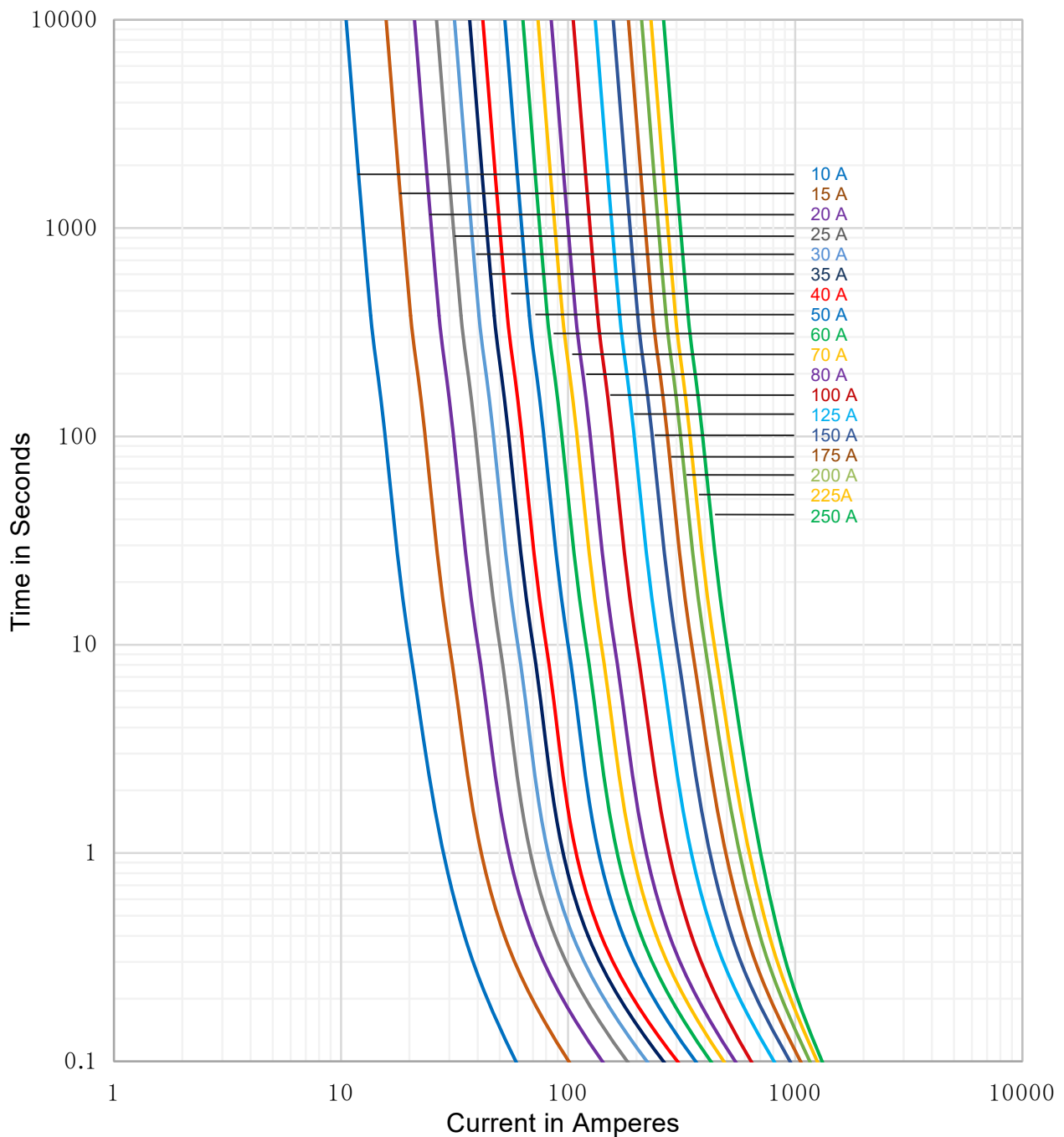
DIMENSIONS (mm)



TIME VS CURRENT CHARACTERISTIC

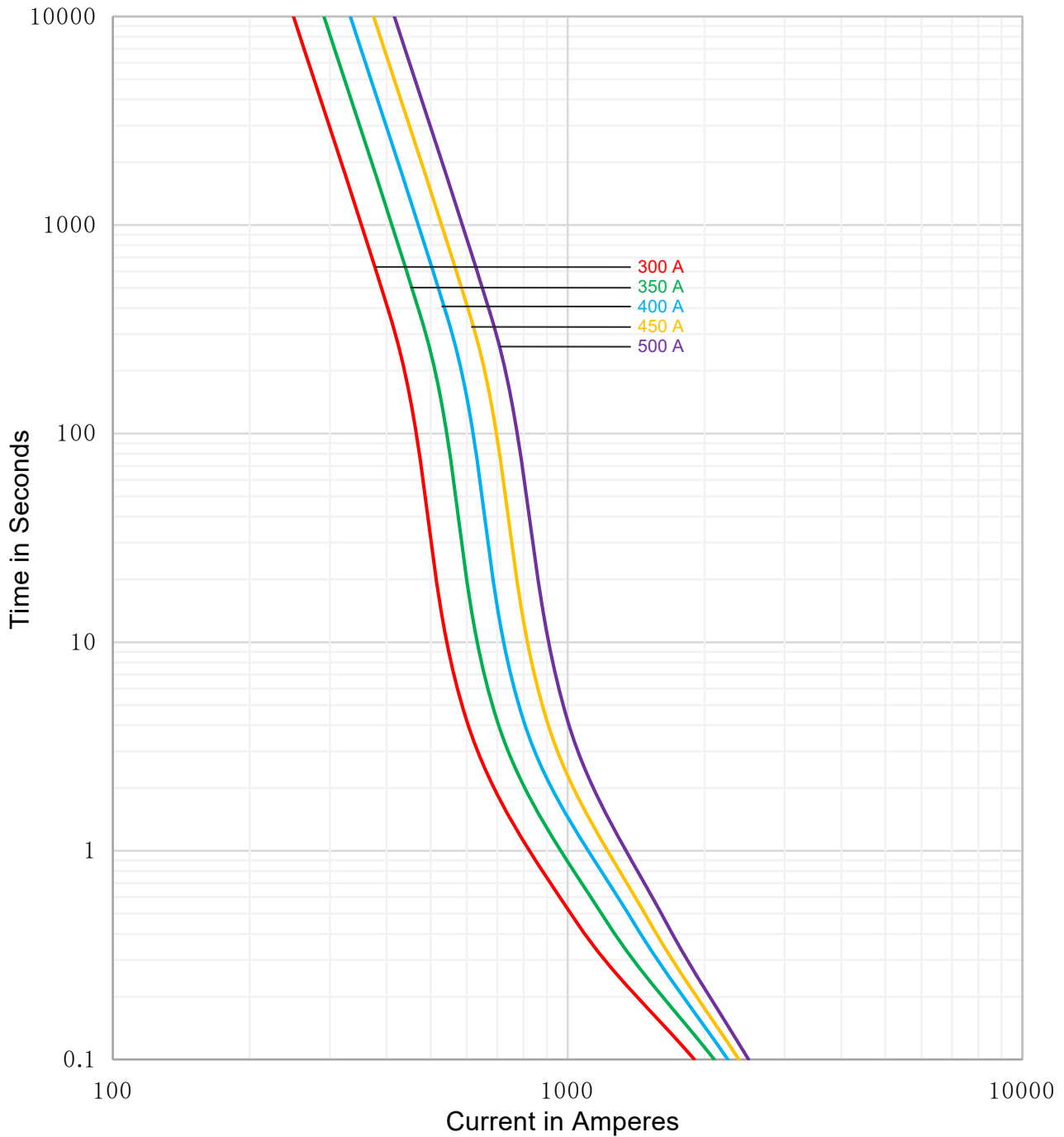
Rated Current	75 %	100 %	135 %	200 %	350 %	600 %
40-250 A	-	>4 h	2-30 min	1-15 s	0.3-5 s	0.1-1 s
300-500 A	>4 h	-	-	1-15 s	0.3-5 s	0.1-1 s

TIME CURRENT CURVE: 10-250 A





TIME CURRENT CURVE: 300-500 A



WEB RESOURCES

Download the latest technical documents: www.adlerelectric.com. Specifications are subject to change without notice.