

# AF-06464B1

•64 x 64 dots 1/64 Duty

## FEATURE

1. Construction : LCD panel and COF .
2. Option : EL Back-Light
3. LCD controller & Driver : ST7565S
4. Interface mode: 8Bit 8080
5. Extend temperature type.

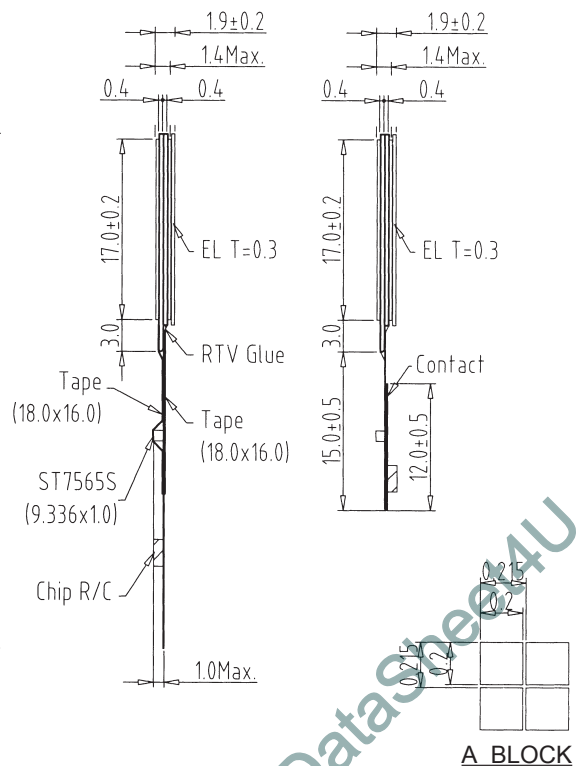
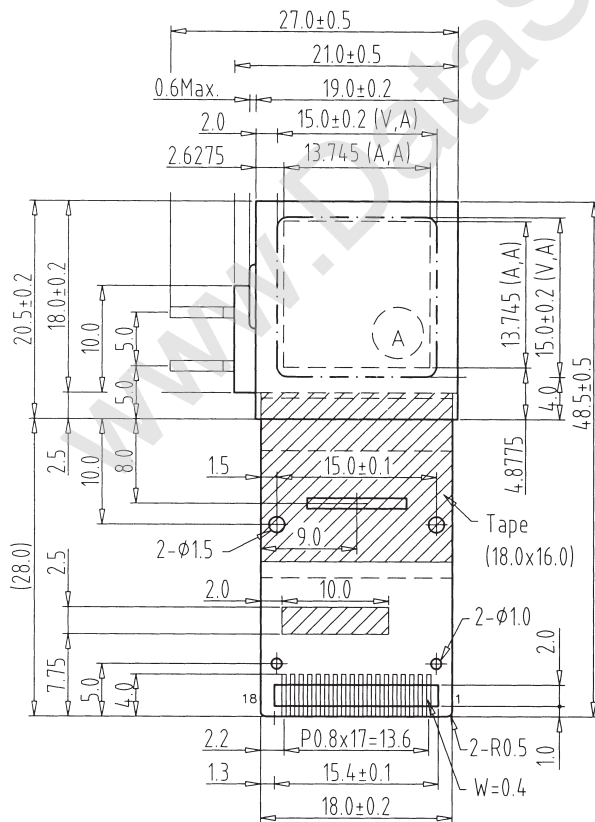
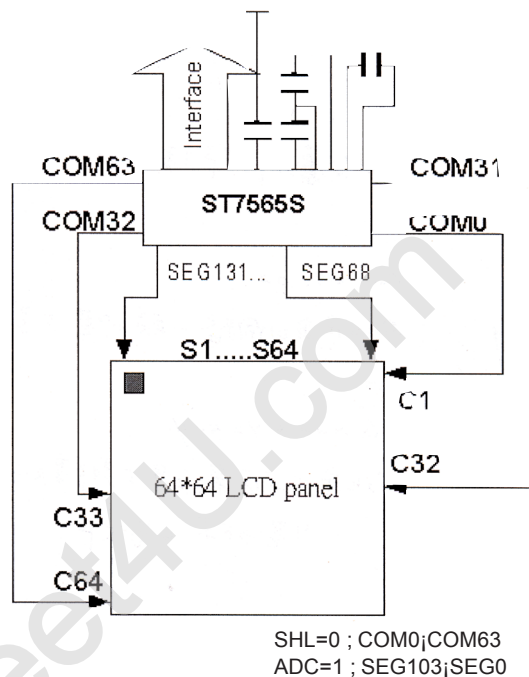
## ELECTRICAL CHARACTERISTICS

Parameter	Symbol	Condition	Typ.Value	Unit.
LCD Driving Voltage	VDD-VSS	25°C	9.5	V
Supply Current	IDD	VDD=2.8V	0.3	mA

## INTERFACE

1	2	3	4	5	6	7	8	9	10
NC	/CSI	/RES	A0	/WR	/RD	D0	D1	D2	D3
11	12	13	14	15	16	17	18		
D4	D5	D6	D7	VDD	VSS	C86	NC		

## BLOCK DIAGRAM & POWER SUPPLY



www.DataSheet4U.com