

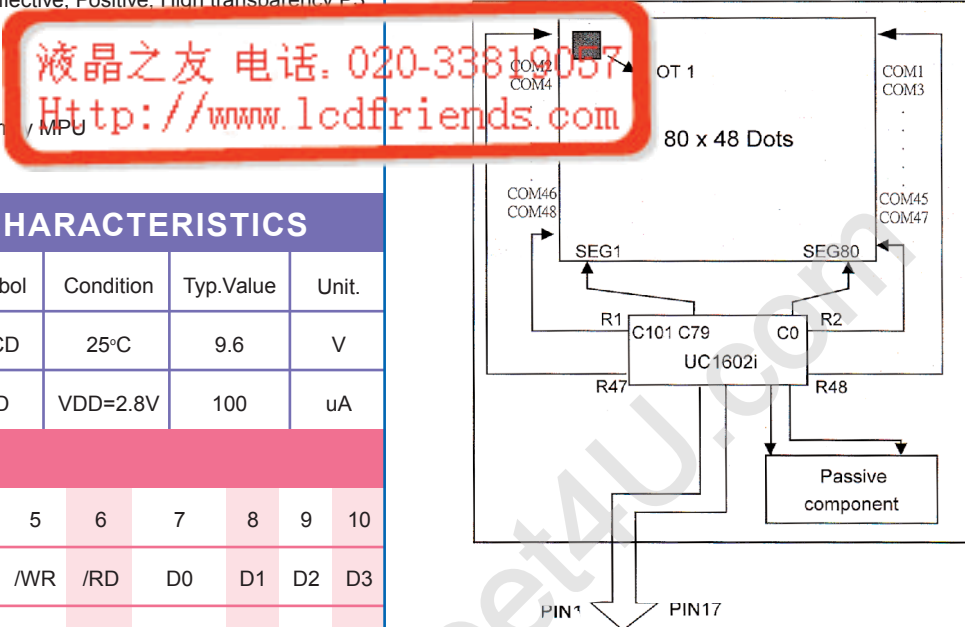
AF-08048B

•80 x 48 dots 1/48 Duty

FEATURE

- 1.Construction : LCD panel and COF.
- 2.Display type : FSTN, Transflective, Positive, High transparency P3 polarizer 12 o'clock view
- 3.Controller : UC1602i
- 4.Interface for 8080 series fan / MPU
- 5.Extend temperature type.

BLOCK DIAGRAM & POWER SUPPLY



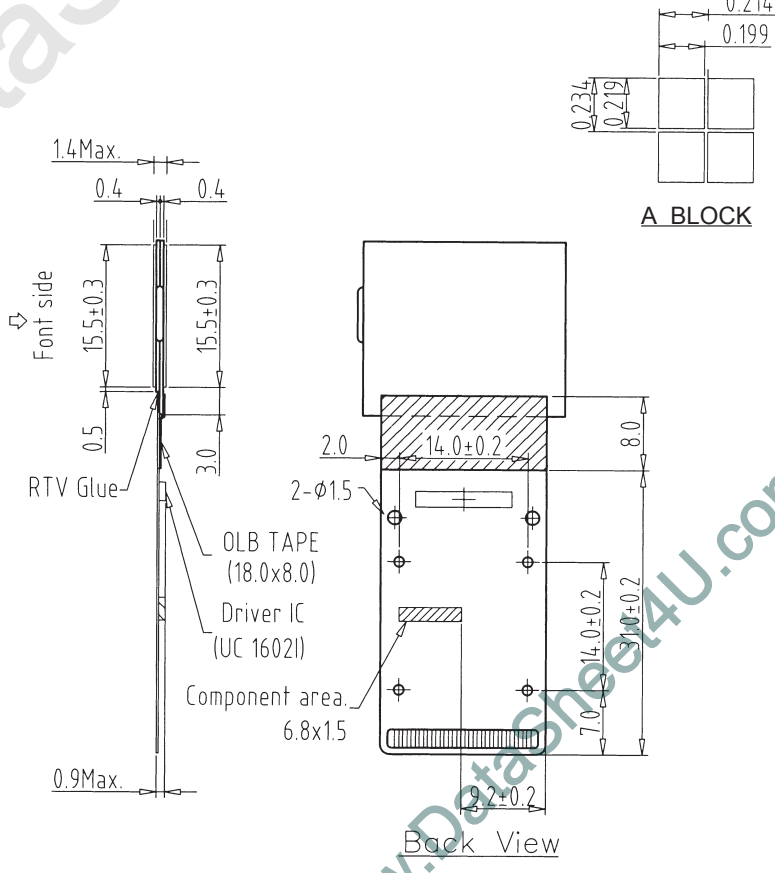
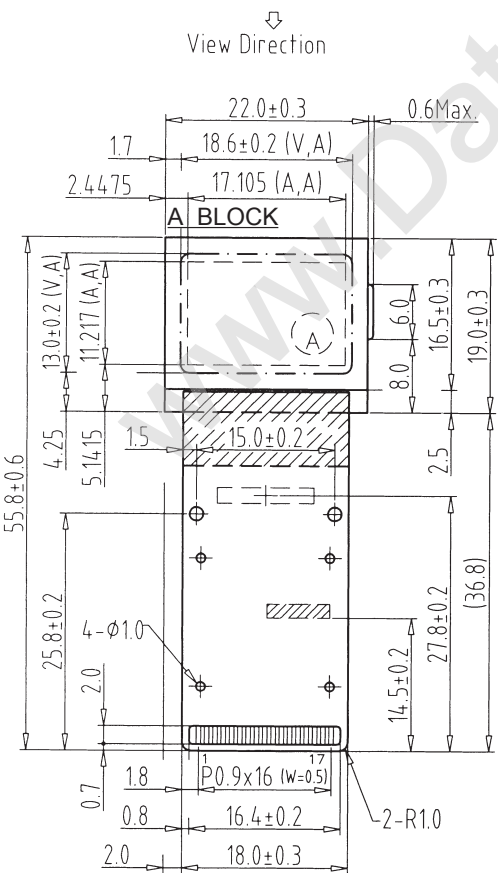
液晶之友 电话: 020-33810057
Http://www.lcdfriends.com

ELECTRICAL CHARACTERISTICS

Parameter	Symbol	Condition	Typ.Value	Unit.
LCD Driving Voltage	VLCD	25°C	9.6	V
Supply Current	IDD	VDD=2.8V	100	uA

INTERFACE

1	2	3	4	5	6	7	8	9	10
NC	/CS	/RST	CD	/WR	/RD	D0	D1	D2	D3
11	12	13	14	15	16	17			
D4	D5	D6	D7	VDD	VSS	NC.			



AF-08048B
AF-08048A