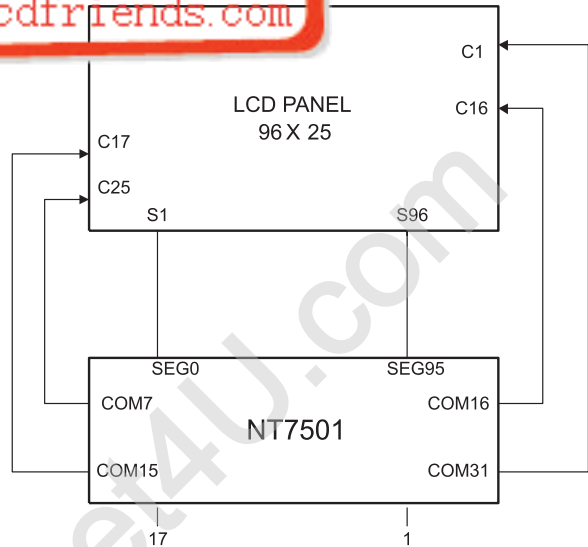


FEATURE

- 1.Construction : FSTN LCD and COF.
- 2.Driver : NT7501.
- 3.Extended temperature type,
with temperature compensation circuit

液晶之友 电话: 020-33819057
[Http://www.lcdfriends.com](http://www.lcdfriends.com)

BLOCK DIAGRAM

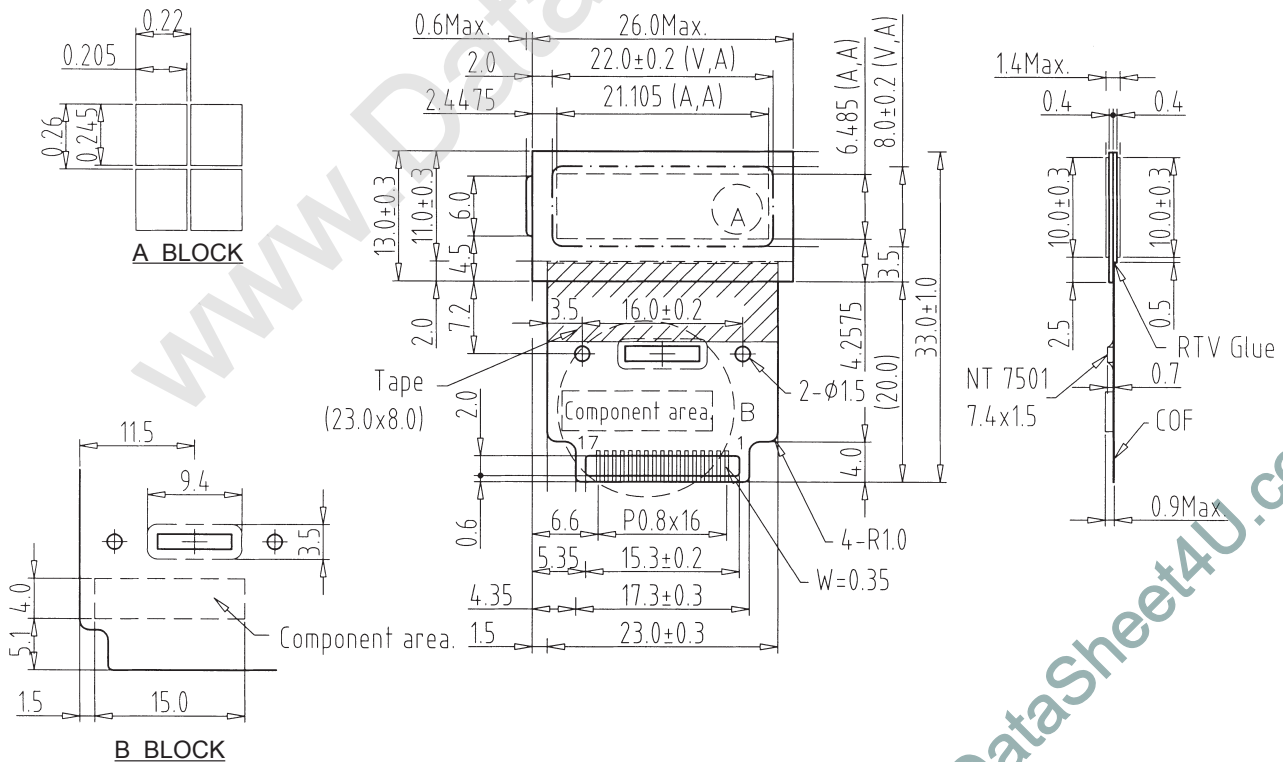


ELECTRICAL CHARACTERISTICS

Parameter	Symbol	Condition	Typ.Value	Unit.
LCD Driving Voltage	V0-V5	25°C	7.2	V
Supply Current	IDD	VDD=3.3V	0.5	mA

INTERFACE

1	2	3	4	5	6	7	8	9	10
DUMMY	/RES	/CS	A0	/WR	/RD	VDD	D0	D1	D2
11	12	13	14	15	16	17			
D3	D4	D5	D6	D7	VSS	DUMMY			



www.DataSheet4U.com