

# AF-09632F

•96 x 32 dots

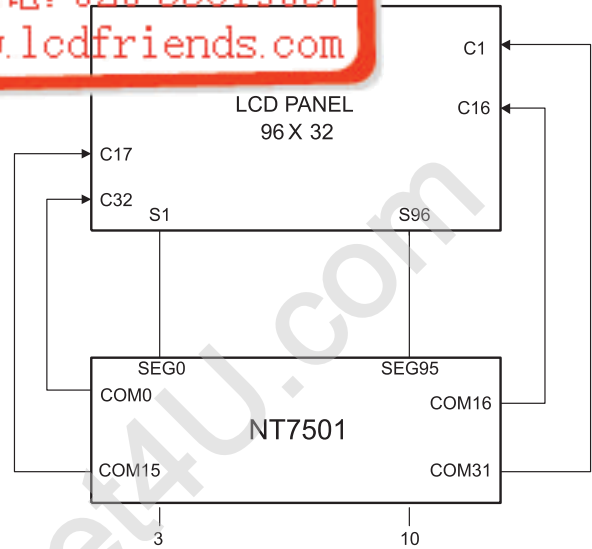
1/33 Duty

## FEATURE

1. Construction : FSTN LCD and COF.
2. Driver : NT7501
3. Extended temperature type, with temperature compensation circuit.

## BLOCK DIAGRAM & POWER SUPPLY

液晶之友 电话: 020-33819057  
[Http://www.lcdfriends.com](http://www.lcdfriends.com)

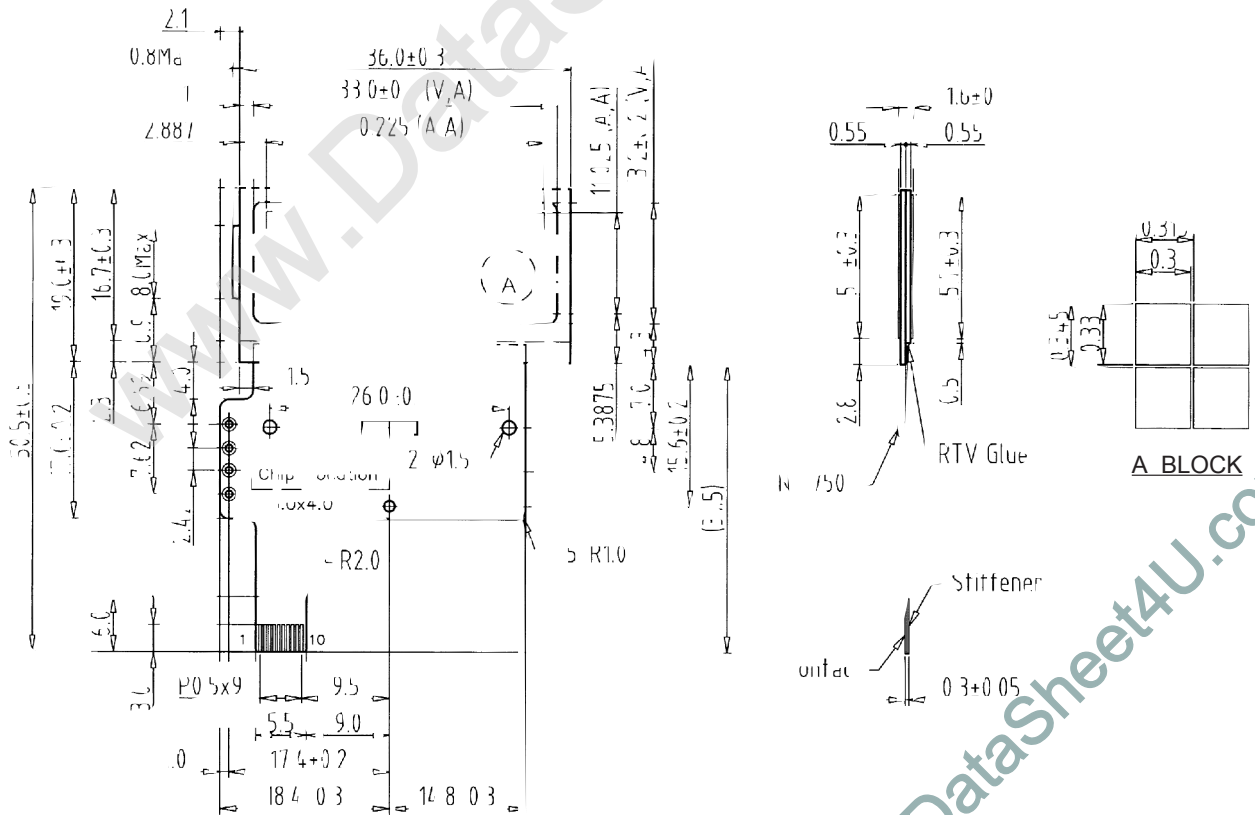


## ELECTRICAL CHARACTERISTICS

Parameter	Symbol	Condition	Typ. Value	Unit.
LCD Driving Voltage	V0-V5	25°C	7.40	V
Supply Current	IDD	VDD=3.3V	0.2	mA

## INTERFACE

1	2	3	4	5	6	7	8	9	10
NC	NC	VSS	SI	SCLK	VDD	A0	/CS	/RES	VSS



Connector

CN1: Molex: 52745-1090/52746-1090