

# AF-09632H

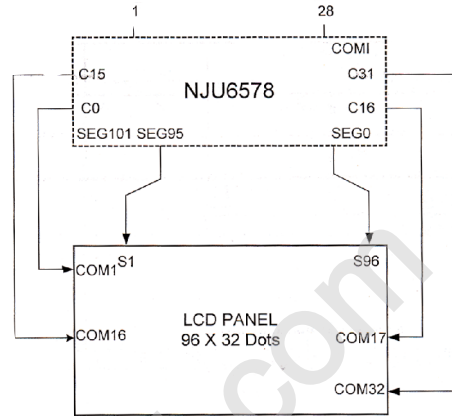
•96x32 dots 1/32 Duty

AF-09632H  
 AF-09632F

## FEATURE

- 1.Construction : LCD panel, Blue EL backlight and COF.
- 2.Display type : FSTN, Transflective, Positive, 6 o'clock view
- 3.LCD driver : NJU6578
- 4.Interface for 8-bits 80 series MPU.
- 5.Extended temperature type.

## BLOCK DIAGRAM & POWER SUPPLY

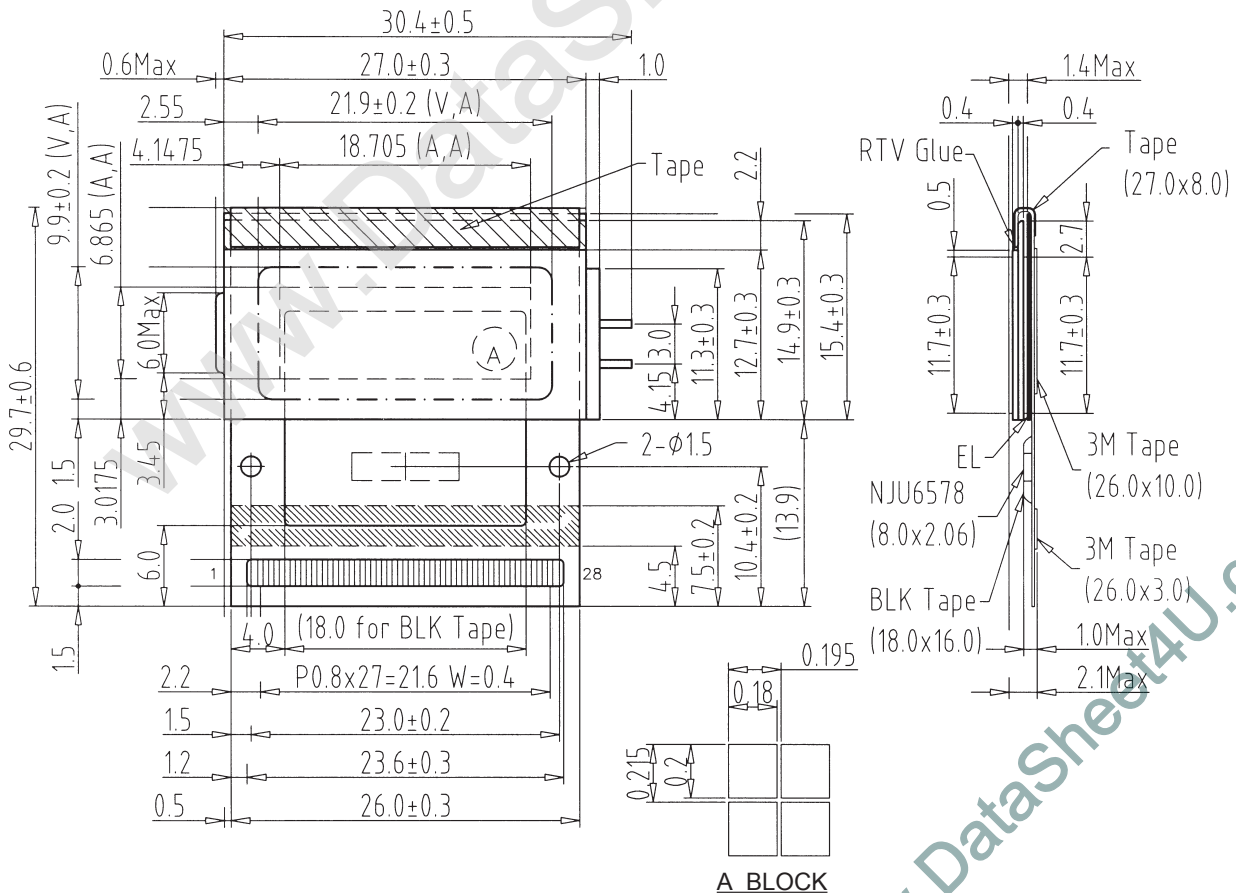


## ELECTRICAL CHARACTERISTICS

Parameter	Symbol	Condition	Typ.Value	Unit.
LCD Driving Voltage	VO-VSS	25°C	7.3	V
Logic Supply Current	IDD	VDD=3.0V	400	uA

## INTERFACE

1	2	3	4	5	6	7	8	9	10	11	12	13	14	15
DUMMY	V1	V2	V3	V4	V5	VR	VDD	VOOUT	C2-	C2+	C1-	C1+	VSS	DB7
16	17	18	19	20	21	22	23	24	25	26	27			
DB6	DB5	DB4	DB3	DB2	DB1	DB0	/RD	/WR	A0	CS	RESETB			



www.DataSheet4U.com