

AF-128128B1

• 128 x 128 dots

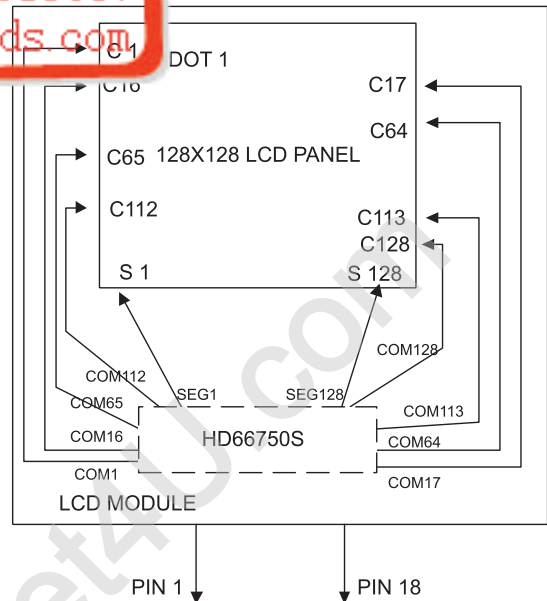
1/128 Duty

FEATURE

1. Construction : LCD panel and COF
2. Display type : FSTN, Transflective, Positive, 6 o'clock view.
3. Controller : HD66750S
4. Interface for 80 series family MPU.
5. Extend temperature type, Optional temp. compensation circuit.

液晶之友 电话: 020-33819057
<http://www.lcdfriends.com>

BLOCK DIAGRAM

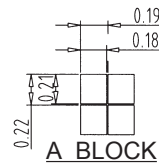
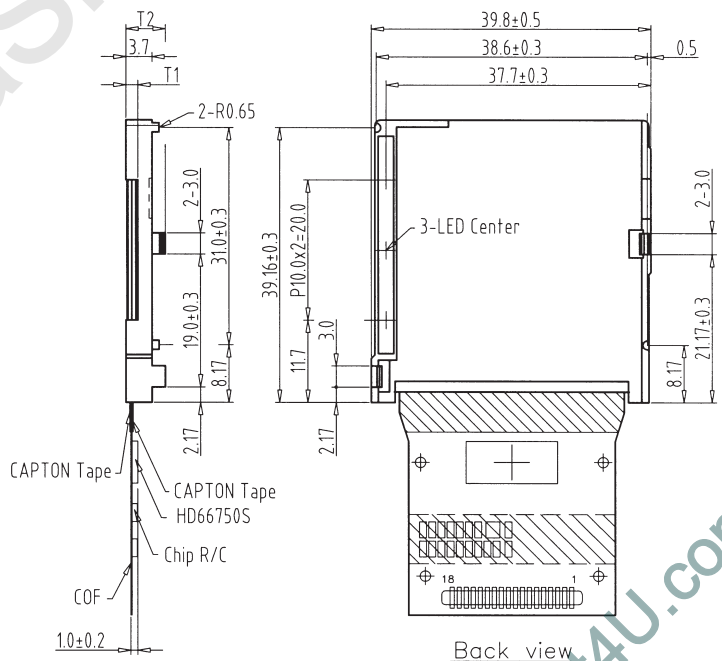
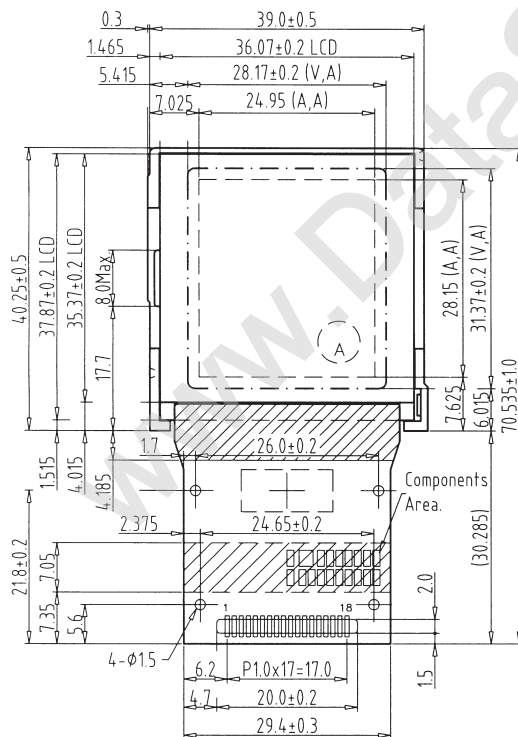


ELECTRICAL CHARACTERISTICS

Parameter	Symbol	Condition	Typ. Value	Unit.
LCD Driving Voltage	VLCD	25°C	12.65	V
Supply Current	IDD	VDD=3V	0.2	mA

INTERFACE

	1	2~9	10	11	12	13	14	15	16	17	18
DUMMY	D7-D0	/RES	CSB	A0	/WR	/RD	VSS	VDD	ID	DUMMY	



THICKNESS:

VERSION	T1	T2
EL & NO BACKLIGHT	1.6±0.3	x
LED BACKLIGHT	1.7MAX	5.6±0.3