

AF-160128A

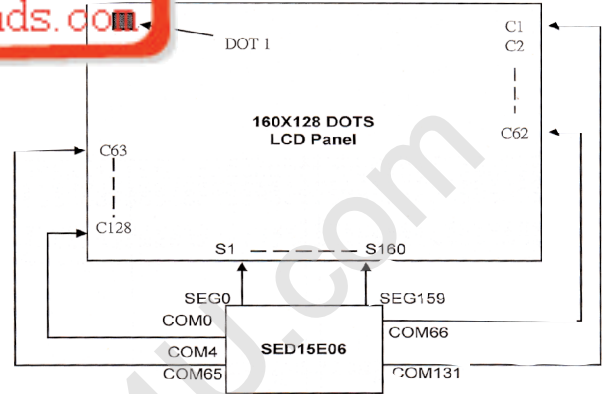
•160 x 128 dots 1/128 Duty

FEATURE

- 1.Construction : LCD panel, andTCM.(Optional EL or Yellow-Green Edge LED)
- 2.Display type : FSTN, Active, Transflective, polarizer, 6 o'clock view
- 3.Driver : IC SED15E06
- 4.2.7V single power input
- 5.Extended temperature

液晶之友 电话: 020-33819057
[Http://www.lcdfriends.com](http://www.lcdfriends.com)

BLOCK DIAGRAM

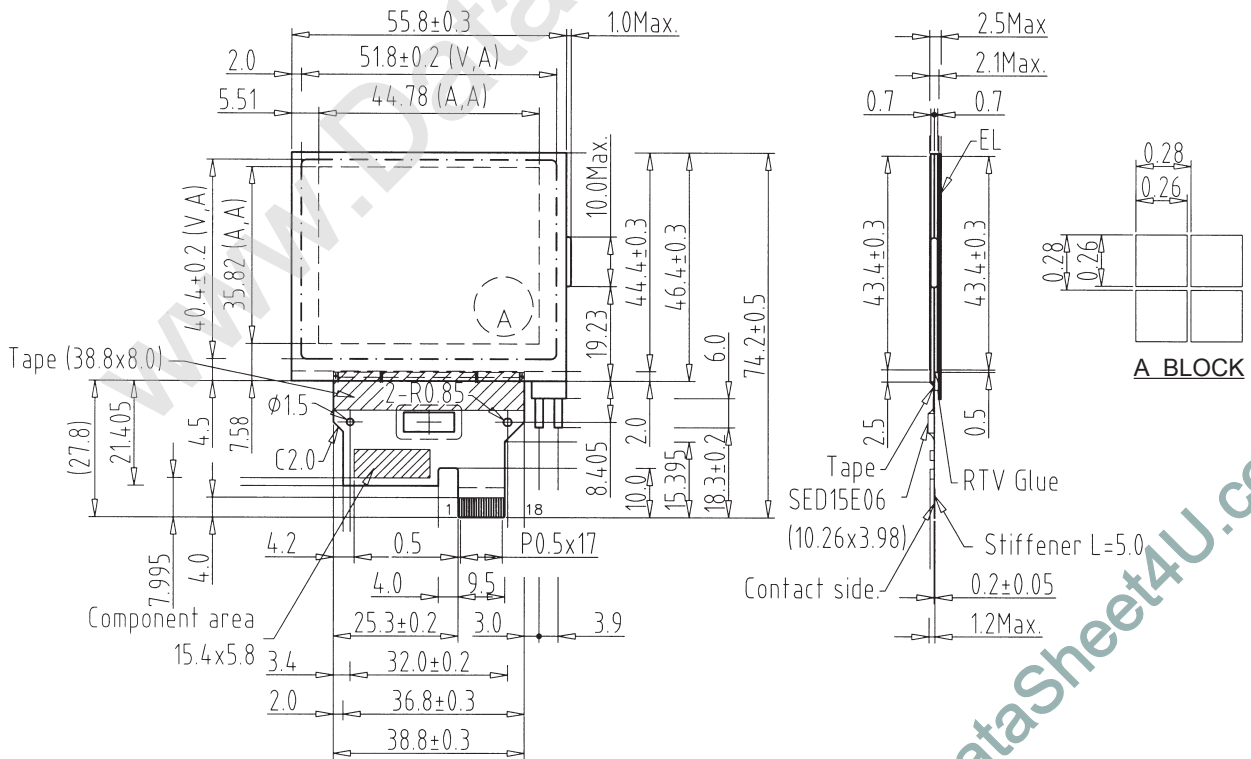


ELECTRICAL CHARACTERISTICS

Parameter	Symbol	Condition	Typ.Value	Unit.
LCD Driving Voltage	V0-VSS	25°C	11.7	V
Supply Current	IDD	VDD=2.7V	0.25	mA

INTERFACE

1	2	3	4	5	6	7	8	9
VDD	VSS	D7(SI)	D6(SCL)	D5	D4	D3	D2	D1
10	11	12	13	14	15	16	17	18
D0	P/S	C86	/RD.E	/WR.RW	A0	/RES	/CS1	TEST



Connector

CN1: Molex:52745-1890/52746-1890