



IF Analog-to-Digital Converter with Digital Downconverter

FEATURES

- 12-BIT, 80MSPS ADC
- INTEGRATED DIGITAL DOWNCONVERTER (DDC):
Quadrature Mixer/NCO
CIC Decimation Filter
FIR Filters
- MIXER: 32-BIT FREQUENCY AND PHASE
- DECIMATION RATIO: 32 to 4096
- USER PROGRAMMABLE FIR FILTERS WITH 16-BIT COEFFICIENTS
- 12-BIT AUXILIARY DAC
- DATA INTERFACE COMPATIBLE WITH TI C5x/C6x DSP BUFFERED SERIAL PORT (McBSP):
Code Composer Module for Easy Software Generation
- SPI™ CONTROL INTERFACE
- 3.3V ANALOG, 1.8V DIGITAL SUPPLY
- 1.8V to 3.3V I/O SUPPLY
- TQFP-48

APPLICATIONS

- SOFTWARE RADIOS
- IF RECEIVE CHANNEL
- DIGITAL RADIO RECEIVERS
- NARROWBAND RECEIVERS

DESCRIPTION

The AFE8201 consists of a general-purpose, 80MSPS, 12-bit analog-to-digital converter (ADC), a digital downconverter (DDC), and user-programmable digital filters. It is designed to sample narrowband (2.5MHz or less) IF signals and digitally mix, filter, and decimate the signals to baseband.

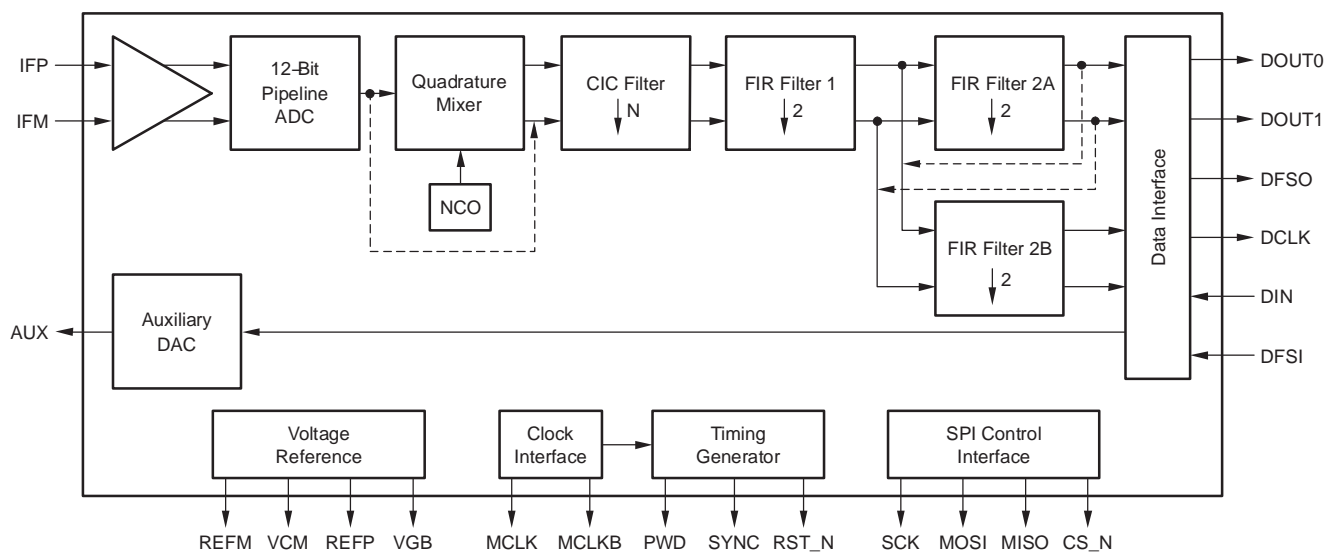
The DDC consists of a digital quadrature mixer followed by a CIC decimation filter and FIR filters. The mixer frequency and initial phase are independently programmed by 32-bit control words.

After the CIC filter, the internal I and Q signals are passed on to the first FIR filter, which can implement even, odd, halfband, and arbitrary impulse responses with up to 62 taps using 16-bit coefficients.

Following the first FIR filter are two parallel FIR filters that can be used to provide two output streams or interleaved to form one extended filter with up to 262 taps. The AFE8201 also contains a 12-bit general-purpose auxiliary digital-to-analog converter (DAC) for applications such as AGC amplifier control.

Control register data as well as decimation filter coefficients are written to the AFE8201 through the industry-standard SPI control interface. The baseband output signals are transported through a general-purpose, high-speed serial interface that is compatible with TI C5x/C6x DSP family buffered serial ports (McBSP).

PRODUCT PREVIEW



Please be aware that an important notice concerning availability, standard warranty, and use in critical applications of Texas Instruments semiconductor products and disclaimers thereto appears at the end of this data sheet.

All trademarks are the property of their respective owners.

ORDERING INFORMATION(1)

PRODUCT	PACKAGE-LEAD	PACKAGE DESIGNATOR	SPECIFIED TEMPERATURE RANGE	PACKAGE MARKING	ORDERING NUMBER	TRANSPORT MEDIA, QUANTITY
AFE8201	TQFP-48	PFB	-40°C to +85°C	AFE8201	AFE8201PFBT	Tape and Reel, 250
					AFE8201PFBR	Tape and Reel, 2000

(1) For the most current package and ordering information, see the Package Option Addendum located at the end of this data sheet, or see the TI web site at www.ti.com.

ABSOLUTE MAXIMUM RATINGS

over operating free-air temperature range unless otherwise noted(1)

Supply Voltage Range:

AVDD	-0.5V to 4V
DVDD	-0.5V to 2.3V
IOVDD	-0.5V to 3.6V
Voltage Between AGND and DGND	-0.3V to 0.5V
Voltage Between AVDD to DVDD	-3.3V to 3.3V
Digital Inputs(2)	-0.3V to DVDD + 0.3V
Digital Output Data	-0.3V to DVDD + 0.3V
Operating Free-Air Temperature Range, T _A	-40°C to 85°C
Storage Temperature Range	-55°C to +125°C

(1) Stresses beyond those listed under Absolute Maximum Ratings may cause permanent damage to the device. These are stress ratings only; functional operation of the device at these or any other conditions beyond those indicated under the Recommended Operating Conditions is not implied. Exposure to absolute-maximum-rated conditions for extended periods may affect device reliability.

(2) Measured with respect to DGND.



This integrated circuit can be damaged by ESD. Texas Instruments recommends that all integrated circuits be handled with appropriate precautions. Failure to observe proper handling and installation procedures can cause damage.

ESD damage can range from subtle performance degradation to complete device failure. Precision integrated circuits may be more susceptible to damage because very small parametric changes could cause the device not to meet its published specifications.

RECOMMENDED OPERATING CONDITIONS

	MIN	TYP	MAX	UNITS
Supplies and References				
Operating Free-Air Temperature, T _A	-40		85	°C
Analog Supply Voltage, AVDD	3.15	3.3	3.45	V
Digital Supply Voltage, DVDD	1.6	1.8	2.0	V
Output Driver Supply Voltage, IOVDD	1.6		3.6	V
Input Common-Mode Voltage		VCM		V
Differential Input Voltage Range		2		V _{PP}
Clock Inputs: MCLK and MCLKB				
Sample Rate, f _S	5		80	MHz
Differential Input Mode Voltage Input Swing	0.4		3.3	V
Differential Input Common-Mode Voltage		1.65		V
Single-Ended Mode High-Level Input Voltage, V _{IHC}	2			V
Single-Ended Mode Low-Level Input Voltage, V _{ILC}			0.8	V
Clock Pulse Width High, t _{W(H)}	5.625	6.25		ns
Clock Pulse Width Low, t _{W(L)}	5.625	6.25		ns
Digital Inputs				
High-Level Input Voltage, V _{IH}	0.7 × IOVDD			V
Low-Level Input Voltage, V _{IL}			0.25 × IOVDD	V

AUXILIARY DAC CHARACTERISTICS

All specifications at +25°C, AVDD = +3.3V, and DVDD = +1.8V, unless otherwise noted.

PARAMETER		CONDITIONS	MIN	TYP	MAX	UNIT
Resolution				12		bits
Output voltage range		Input code 0x000		0.0		V
		Input code 0xFF		2.75		V
Output impedance				1		kΩ
Settling time		to 0.1% FSR			10	μs
DC performance	Offset			±1		% of FSR
	Gain error			±5		% of FSR
	Differential nonlinearity, DNL	Ensured monotonic		±0.5		LSB
	Integral nonlinearity, INL	After correcting for gain and offset errors		±2		LSB
	Power-supply rejection ratio, PSRR	Input code 0x400, AVDD = 3.15VDC to 3.45VDC		60		dB

RECEIVE CHANNEL CHARACTERISTICS

All specifications at +25°C, $f_s = 80\text{MSPS}$, AVDD = +3.3V, DVDD = +1.8V, IOVDD = +3.3V, Gain = 1, Decimation Ratio = 80, Internal Digital Filter Bandwidth = 264kHz, and Input Signal = 10.7MHz, unless otherwise noted.

PARAMETER		CONDITIONS	MIN	TYP	MAX	UNIT
DC Accuracy						
Input impedance				6.25		kΩ
Differential nonlinearity, DNL			-0.0244	±0.0122	+0.0244	%FSR
Integral nonlinearity, INL			-0.0244	±0.012	+0.0244	%FSR
Offset error				3		mV
Gain error				1		%FS
Full-scale input level (peak differential)	Gain = 1			1.0		V
	Gain = 1.14			0.875		V
	Gain = 1.33			0.75		V
	Gain = 1.6			0.625		V
	Gain = 2.0			0.5		V
	Gain = 2.67			0.375		V
	Gain = 4.0			0.25		V
Gain change settling time	Number of samples to achieve rated accuracy			2		Samples
Power-supply rejection ratio, PSRR	AVDD = 3.15VDC to 3.45VDC			70		dB
References						
Negative reference, VREFN			1.1	1.25	1.4	V
Positive reference, VREFP			2.1	2.25	2.4	V
Common-mode voltage, VCM				1.8		V
AC Performance						
Spurious-free dynamic range, SFDR	Input 455kHz, -1dBFS			76		dBc
	Input 10.7MHz, -1dBFS		76	86		dBc
2nd-order harmonic, HD2	Input 10.7MHz, -1dBFS			80		dBc
Signal-to-noise ratio, SNR	Input 455kHz, -1dBFS			75		dB
	Input 10.7MHz, -1dBFS		70	74		dB
	In 3kHz bandwidth, -1dBFS, 10.7MHz, 20kHz from fundamental			102		dB
Aperture delay				2		ns
Aperture uncertainty				0.2		ps
Power Supply						
Analog supply voltage, AVDD			3.15	3.3	3.45	V
Digital supply voltage, DVDD			1.71	1.8	1.89	V
Output driver supply voltage, IOVDD			3.15	3.3	3.45	V
Power dissipation	Normal operation			490	570	mW
	Power-down			20		mW
Digital I/O supply current				7		mA
Digital supply current				72		mA
Analog supply current				103		mA

DIGITAL INTERFACE SPECIFICATIONS

All specifications at +25°C, AVDD = 3.3V, DVDD = 1.8V, and V_{DDS} = 3.3V, unless otherwise noted.

PARAMETER	CONDITIONS	MIN	TYP	MAX	UNITS
High Level Input Current, I _{IH}	V _{IH} = 1.6V to 3.6V	-10		10	μA
Low-Level Input Current, I _{IL}	V _{IL} = 0V to 0.4V	-10		10	μA
High-Level Output Voltage, V _{OH}	I _{OH} = -50μA	0.8 × IOVDD			V
Low-Level Output Voltage, V _{OL}	I _{OL} = 50μA			0.2 × IOVDD	V

DATA INTERFACE TIMING

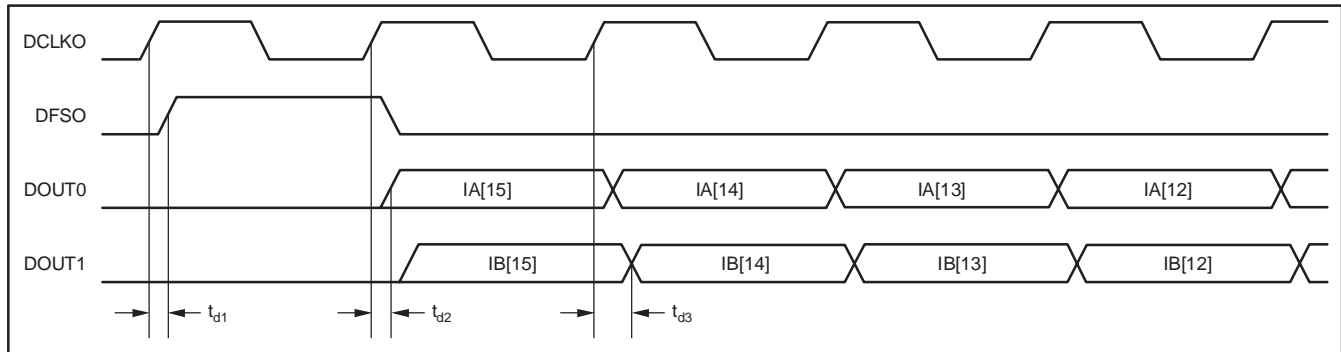


Figure 1. Data Interface Timing 1

PARAMETER	CONDITIONS	MIN	TYP	MAX	UNITS
DCLKO to DFSO Delay, t _{d1}		-0.4		3.2	ns
DCLKO to DOUT0 Delay, t _{d2}		-0.2		2.5	ns
DCLKO to DOUT1 Delay, t _{d3}		-0.2		2.5	ns

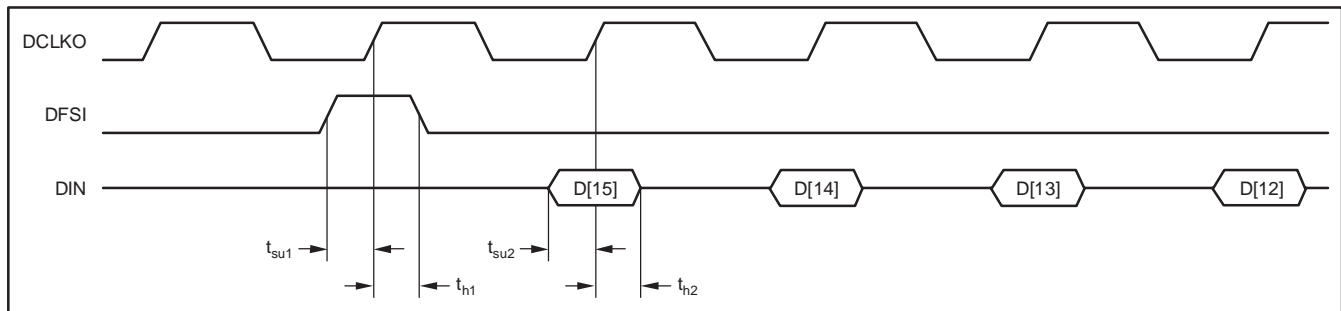


Figure 2. Data Interface Timing 2

PARAMETER	CONDITIONS	MIN	TYP	MAX	UNITS
DFSI to DCLKO Setup Time, t _{su1}		1.2			ns
DFSI to DCLKO Hold Time, t _{h1}		0.4			ns
DIN to DCLKO Setup Time, t _{su2}		1.0			ns
DIN to DCLKO Hold Time, t _{h2}		0.4			ns

PRODUCT PREVIEW

CONTROL INTERFACE TIMING

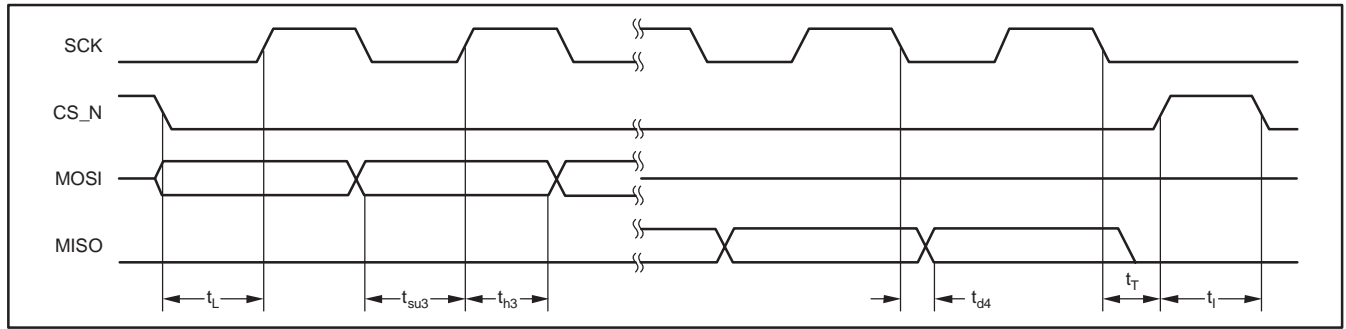
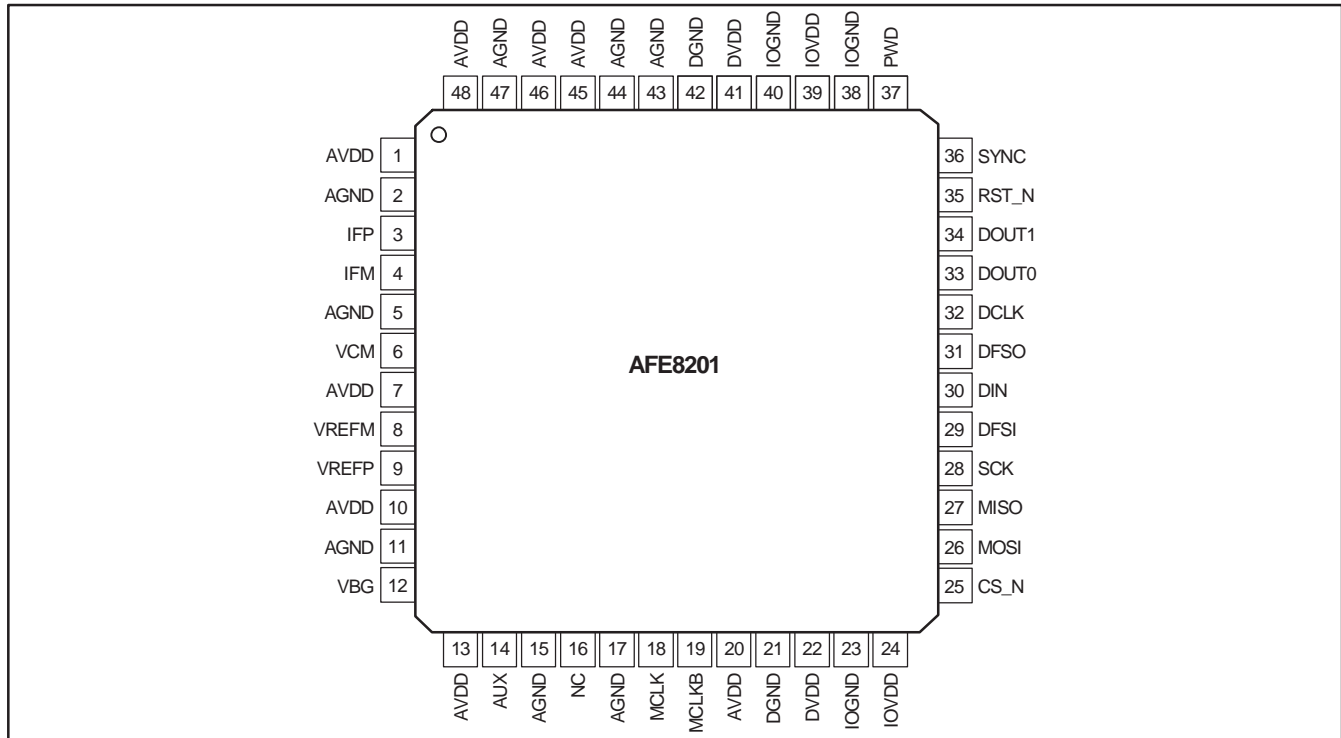


Figure 3. Control Interface Timing

PARAMETER	CONDITIONS	MIN	TYP	MAX	UNITS
Maximum SCK Frequency				1	MHz
CS_N Leading Time, t_L	Trailing CS_N to Leading SCK	5.0			ns
CS_N Trailing Time, t_T	Trailing SCK to Leading CS_N	5.0			ns
CS_N Idle Time, t_i		5.0			ns
MOSI to SCK Setup Time, t_{su3}	Leading CS_N to Trailing CS_N	5.0			ns
MOSI to SCK Hold Time, t_{h3}		1.0			ns
SCK to MISO Delay Time, t_{d4}		1.0		8.0	ns

PIN ASSIGNMENTS



PRODUCT PREVIEW

NAME	PIN	TYPE	FUNCTION
IFP	3	Input	Positive IF Input
IFM	4	Input	Negative IF Input
VCM	6	Output	Common-Mode Voltage Output
REFM	8	Output	Negative Reference Voltage Output
REFP	9	Output	Positive Reference Voltage Output
VGB	12	Output	Bandgap Voltage Output
AUX	14	Output	Auxiliary DAC Output
MCLK	18	Input	Master Clock Input
MCLKB	19	Input	Complementary Master Clock Input
CS_N	25	Input	SPI Chip Select (active low)
MOSI	26	Input	SPI Serial Input
MISO	27	Output	SPI Serial Output
SCK	28	Input	SPI Serial Clock
DFSI	29	Input	Data Interface Input Frame Sync
DIN	30	Input	Data Interface Input Data
DFSD	31	Output	Data Interface Output Frame Sync
DCLK	32	Output	Data Interface Clock Output
DOUT0	33	Output	Data Interface Filter 0 Output Data
DOUT1	34	Output	Data Interface Filter 1 Output Data
RESET	35	Input	Global Reset
SYNC	36	Input	External Sync
PWD	37	Input	'1' = power down; '0' = normal operation
AVDD	1, 7, 10, 13, 20, 45, 46, 48	Supply	Analog Supply (3.3V)
AGND	2, 5, 11, 15, 17, 43, 44, 47	Ground	Analog Ground
DVDD	22, 41	Supply	Digital Supply (1.5V to 1.8V)
DGND	21, 42	Ground	Digital Ground
IOVDD	24, 39	Supply	Digital I/O Supply (1.5V to 3.3V)
IOGND	23, 38, 40	Ground	Digital I/O Ground

DETAILED DESCRIPTION

The AFE8201 consists of a general-purpose, 80MSPS, 12-bit analog-to-digital converter (ADC) with programmable input range, Digital Downconverter (DDC), and user programmable digital filters with 16-bit coefficients. It is designed to sample narrowband (up to 2.5MHz) IF signals and digitally mix, filter, and decimate the signals to baseband. The ADC integrates a programmable gain sample-and-hold amplifier that is variable over gains of 1x to 4x to change the full-scale input voltage range of the device from 1.0V peak to 0.25V peak. When the gain is changed, two sample periods may be needed for the output of the ADC to settle to the correct value.

The DDC consists of a digital quadrature mixer followed by a CIC decimation filter and FIR filters (FIR1 and FIR2). The mixer frequency and initial phase are independently programmed by 32-bit control words. The quadrature mixer generates I and Q signals, each of which are decimated by the CIC filter. The CIC is a 5th-order Comb filter with a decimation factor that is programmable over a range of 8 to 1024. Each of the FIR filters adds an additional decimation factor of 2, for a total range of 32 to 4096.

The I and Q signals generated by the quadrature mixer are then passed on to the first FIR filter (FIR1). This decimate-by-two FIR filter can implement even, odd, halfband, and arbitrary impulse responses. The length of the filter response is dependent on the decimation factor of the CIC filter and the FIR filter response type, up to a maximum of 62 taps. Coefficients for multiple filter responses may be stored in the coefficient memory (up to 64 unique coefficients may be stored); responses can be changed by changing a control register to point the filter to a different section of coefficient memory.

Following the first FIR filter are two parallel decimate-by-two FIR filters (FIR2a and FIR2b). These filters are similar to the first FIR filter, but have twice the data and coefficient memory and can therefore realize longer filter responses. The responses of the two filters can be different from each other (with some limitations). In addition, the two filters can be optionally interleaved to form a single extra-long FIR filter which can realize up to 250 taps.

Control register information, as well as decimation filter coefficients, are written to the AFE8201 through the industry-standard SPI control interface. The baseband output signals are transported through a high-speed serial interface that is compatible with the TI C5x/C6x DSP buffered serial ports (McBSP).

The AFE8201 also contains a 12-bit auxiliary digital-to-analog converter (DAC) which can be used for a number of purposes, including tuner automatic gain control or frequency control. Input data for the DAC may be sent either from the DSP through the serial data port or from a microcontroller through the SPI control interface.

CONTROL INTERFACE

The AFE8201 uses an SPI slave interface to read and write control data. Control data consists of eleven 16-bit control registers, as shown in Table 1, and three memory banks (see Table 2). The control registers are used to program all chip parameters. The memory banks store 16-bit FIR filter coefficient data.

To read and write to control registers and memory banks, data is transferred by a 16-bit instruction followed by 16 bits of data. Memory bank read and write operations also support block transfer. Memory bank block transfer consists of a 16-bit instruction followed by multiple 16 bit data words.

Table 1. Control Registers

Register Address	Description
0	Data interface parameters DIV, MODE
1	NCO frequency (bits 0–15)
2	NCO frequency (bits 16–31)
3	NCO Initial Phase (bits 0–15)
4	NCO Initial Phase (bits 16–31)
5	CIC Filter Decimation Rate: DEC_RATE
6	CIC Filter Parameters: SCALE, SHIFT
7	First FIR Filter Parameters: BASE_ADDR, NCOEFF, MODE
8	Second FIR A Filter Parameters: BASE_ADDR, NCOEFF, MODE
9	Second FIR B Filter Parameters: BASE_ADDR, NCOEFF, MODE
10	Setup for the Second FIR
11	Auxiliary DAC: DAC_DATA
12	ADC Parameters: GAIN, PWD

Table 2. Memory Banks

Memory Bank Address	Description	Size	Data Memory
0	FIR Filter 1 Coefficients	64 Coefficients	62 Samples
1	FIR Filter 2A Coefficients	128 Coefficients	126 Samples
2	FIR Filter 2B Coefficients	128 Coefficients	126 Samples

The SPI interface consists of four signals: a serial clock (SCK), an active-low chip select (CS_N), a serial data input (MOSI—Master Out, Slave In), and a serial data output (MISO—Master In, Slave Out). Data is transferred in groups of 32 bits. The first 16 bits are the instruction, which indicate:

- (1) if data is to be written or to be read;
- (2) if the data target is a control register or a memory bank; and
- (3) the address of the data target.

The second 16 bits is the data transfer, which is input on MOSI for a write cycle or output on MISO for a read cycle.

A single data word write cycle is shown in Figure 4. The cycle is initiated by the high-to-low transition of the CS_N line. 32 SCK pulses clock the instruction and the data into the MOSI line. Instructions and data are clocked in MSB first. The first 16 bits are the instruction; the second 16 bits are the data word. There are two possible single data word write cycle instructions: register write and memory write. The formats for these instructions are shown in Figure 5 and Figure 6.

PRODUCT PREVIEW

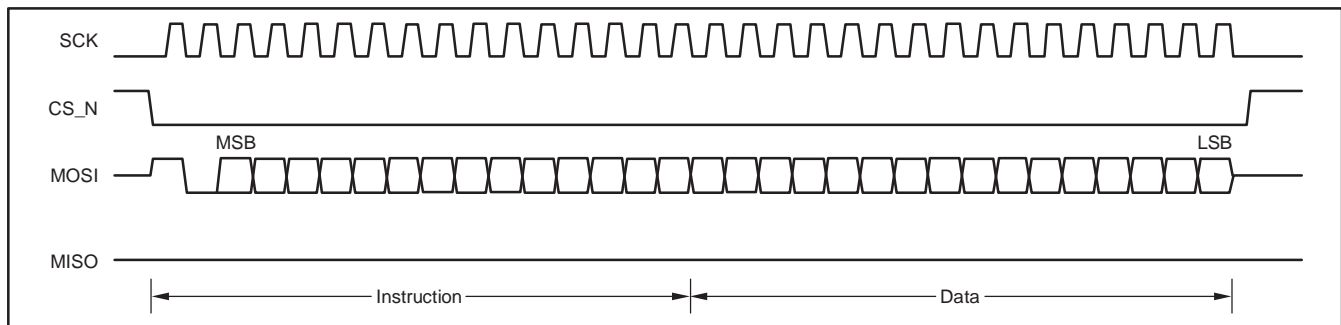


Figure 4. Single Data Word Control Interface Write Cycle for Registers or Memory

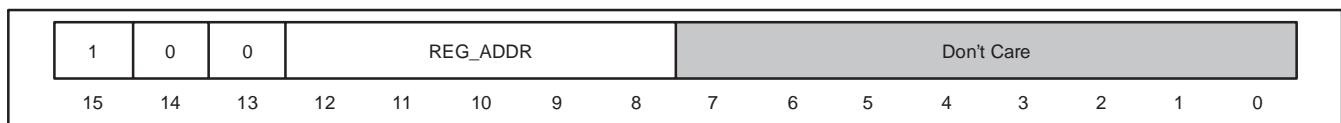


Figure 5. Register Write Instruction Format

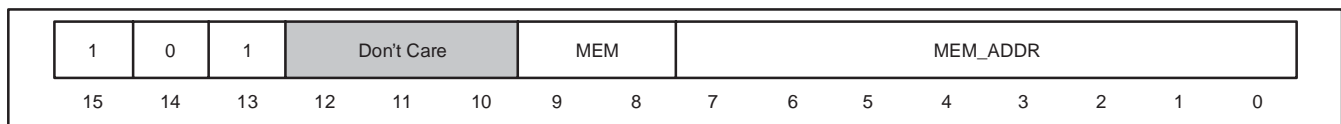


Figure 6. Memory Write Instruction Format

The only information required for a register write is the 5-bit register address (REG_ADDR). For a memory write, the 2-bit memory select (MEM) and the 8-bit memory address (MEM_ADDR) are required.

Following the 16-bit instruction, the 16-bit data word is clocked in, again MSB first. At the end of the write cycle this data word is written to the appropriate register or memory location in the AFE.

The read cycle is illustrated in Figure 7. It is similar to the write cycle, except that instead of the data word being clocked into MOSI during the second half of the cycle, the data word is clocked out of MISO. The two data read instructions are similar to the corresponding data write instructions and are shown in Figure 8 and Figure 9.

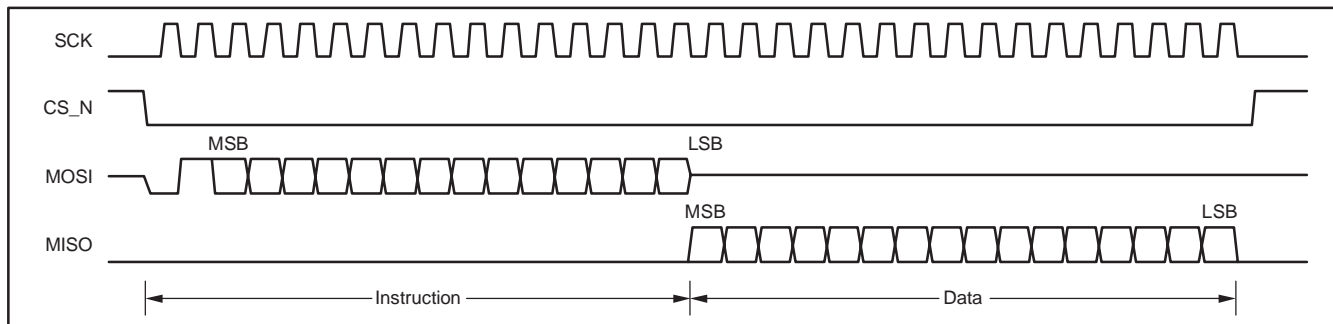


Figure 7. Single Data Word Control Interface Read Cycle for Registers or Memory

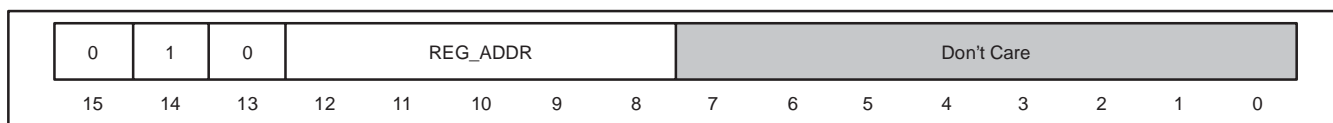


Figure 8. Register Read Instruction Format

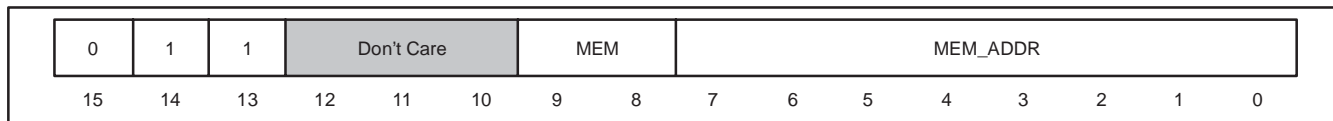


Figure 9. Memory Read Instruction Format

Block transfers are supported for memory reading and writing. Multiple data words are transmitted following the memory read or write instruction for a block transfer. The data words are sequentially read from or written to RAM sequentially starting at the address contained in the instruction. The sequential RAM access terminates when the CS_N line goes high. Figure 10 shows a memory block read cycle. In the illustration, three successive memory locations are read starting at address N. The memory block write cycle is similar, except of course data is clocked into MOSI.

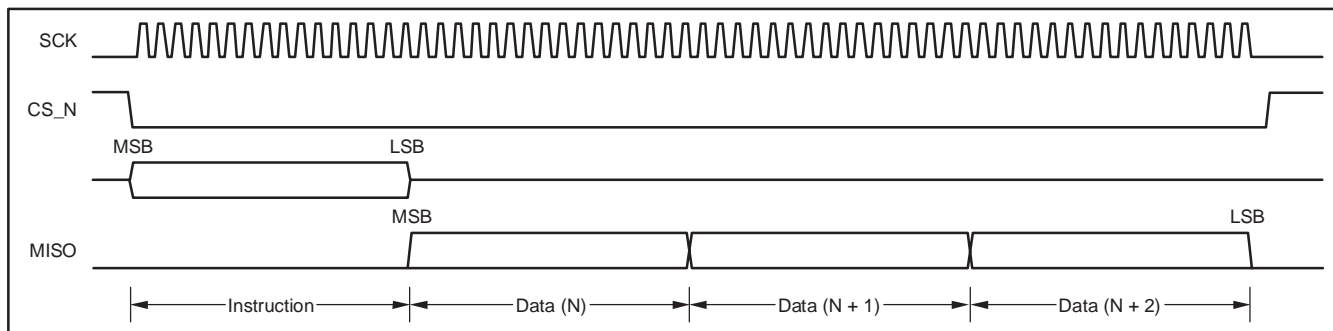


Figure 10. Block Memory Read Cycle Control Interface

In all cases, the control interface is reset when CS_N goes high. If the final SCK is not received before CS_N goes high, then the cycle will end prematurely. For a read cycle, transfer of data will terminate; for a write cycle, no data will be written to register or memory.

DATA INTERFACE

The data interface consists of six signals:

1. serial data clock DCLKO;
2. output frame sync DFSSO;
3. output data line DOUT0;
4. output data line DOUT1;
5. input frame sync DFSI; and
6. input data line DIN.

The decimation filter outputs from the DDC (either IA and QA, or IA, QA, IB, and QB) are multiplexed onto the data outputs. The control DAC data is shifted into the data input. Control Register 0 programs the functionality of the data interface, as seen in Figure 11.

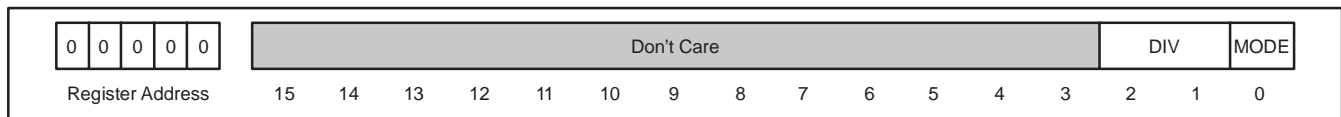


Figure 11. Data Interface Control Register

Two parameters, DIV and MODE, control the data interface and are programmed by register 0. The first parameter is DIV. The serial data clock, DCLKO, is derived from MCLK in a manner controlled by DIV such that the frequency of DCLKO is:

$$f_{DCLKO} = \frac{f_{MCLK}}{2^{DIV}} \tag{1}$$

where DIV ranges from 0 to 3.

As an example, if MCLK is 80MHz, DCLKO can be either 80MHz, 40MHz, 20MHz, or 10MHz. DCLKO, of course, must be fast enough to clock out the I and Q data words generated by the on-chip DDC and filters.

The second parameter is MODE. When MODE is 0, all four DDC outputs are time multiplexed onto DOUT0, as shown in Figure 12. When MODE is 1, IA and QA outputs are multiplexed onto DOUT0 while IB and QB outputs are multiplexed onto DOUT1, see Figure 13. If only one set of I/Q outputs is used, MODE 1 is recommended so that data is output through DOUT0.

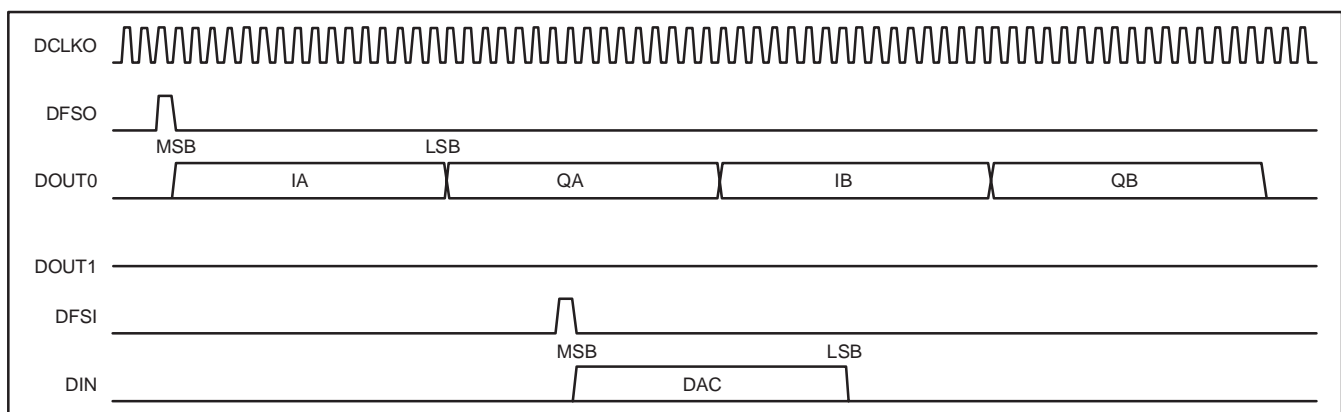


Figure 12. Data Interface Timing for MODE = 0

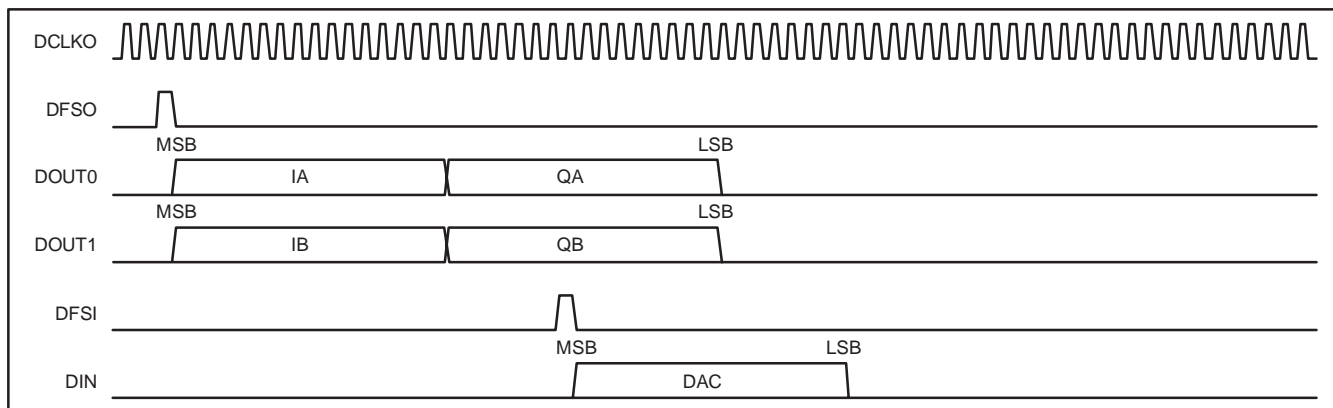


Figure 13. Data Interface Timing for MODE = 1

When the data interface receives new outputs from the decimation filters, an output cycle is started by asserting DFSO for one DCLKO period. On successive leading edges of DCLKO, the filter output data is shifted out MSB first on DOUT0 (and DOUT1 for MODE = 1), as shown in the timing diagrams. The spacing of the DFSO pulses depends on two settings: the overall decimation ratio R of the DDC and the factor DIV. The number of bits which need to be transmitted in one frame, NBITS, is 64 for MODE = 0 and 32 for MODE = 1. In order to have enough DCLKO cycles between DFSO pulses, the following relationship must be true:

$$\frac{R}{2^{DIV}} \geq \text{NBITS} \quad (2)$$

or

$$\text{DIV} \leq \log_2\left(\frac{R}{\text{NBITS}}\right) \quad (3)$$

For example, assume the overall decimation ratio, R, for the DDC is 80. For MODE = 0, the largest allowable value for DIV is 0. In other words, if MCLK is 80MHz, for R = 80, DCLKO must be 80MHz so that all of the 64 data bits may be clocked out before the next I and Q data words must be clocked out.

For MODE = 1, since only 32 bits need to be clocked out during one cycle, DCLKO can be reduced to 40MHz (which means that DIV may be increased to 1, cutting the frequency of DCLKO in half).

DFSI and DIN are used to send control DAC data to the AFE8201. DCLKO supplied by the AFE8201 is used as the serial clock. An input cycle is initiated by holding DFSI high through one rising edge of DCLKO. On the successive 16 leading edges of DCLKO the input data word is read in serially, MSB first. The lower 12 bits of the data word are sent to the DAC as the unsigned DAC input.

Note that the input data does not need to bear any timing relationship to the output data, except that both data streams are synchronous with DCLKO.

QUADRATURE MIXER/NCO

The NCO frequency and initial phase are set by the 32-bit unsigned variables FREQ and PHASE. Each of these variables is set via a pair of control registers; see Figure 14. The I and Q outputs of the mixer are given by:

$$I = \text{ADC} \times \sin(2\pi ft + \phi) \quad (4)$$

and

$$Q = \text{ADC} \times \cos(2\pi ft + \phi) \quad (5)$$

where ADC is the output of the IF A/D converter, f is the NCO frequency given by:

$$f = f_{\text{MCLK}} \frac{\text{FREQ}}{2^{32}} \quad (6)$$

and ϕ is the NCO phase offset (in radians) given by:

$$\phi = 2\pi \frac{\text{PHASE}}{2^{32}} \quad (7)$$

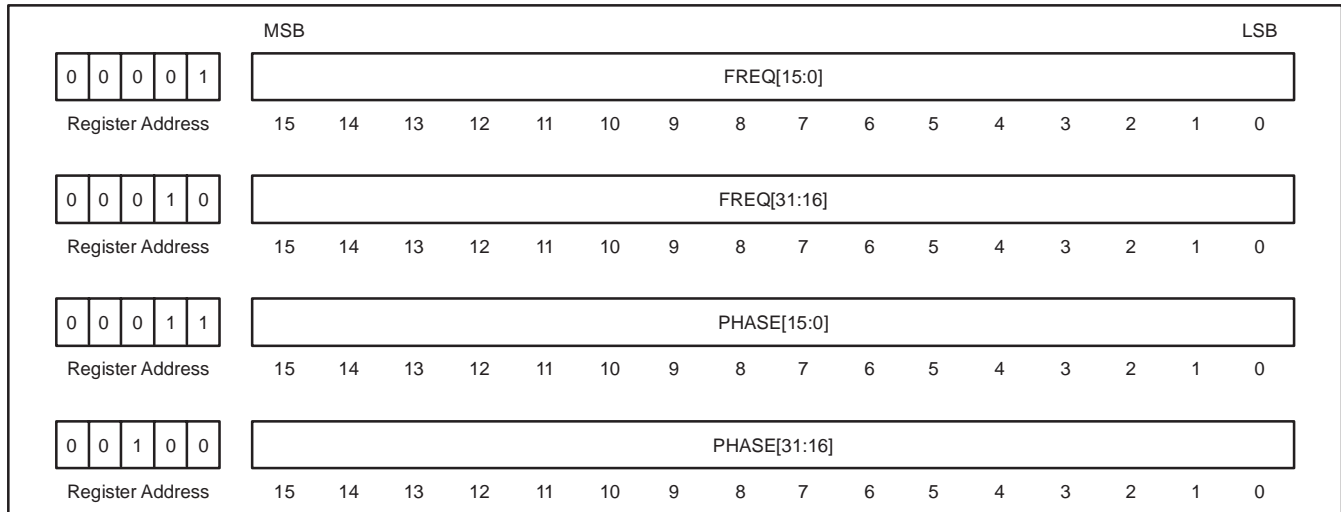


Figure 14. Mixer Control Registers

The SYNC pin can be used to externally control the phase of mixer. While the SYNC pin is high, the phase accumulator is held to a constant value PHASE, essentially holding t to zero in the I and Q equations. When the SYNC pin is brought low, the phase accumulator is incremented by the value FREQ once per MCLK cycle.

Note that the mixer can be bypassed by setting FREQ and PHASE to 0 and using only the Q (real) output.

CIC FILTER

The first stage of decimation filtering is provided by a 5th-order CIC filter. The operation of the CIC filter is controlled by the unsigned variable DEC_RATE, SCALE, and SHIFT which are mapped into control registers as illustrated in Figure 15. The valid range for DEC_RATE is from 8 to 1024.

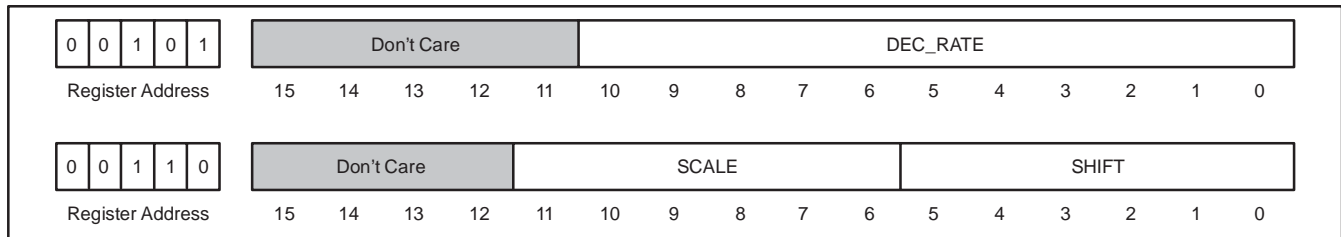


Figure 15. CIC Filter Control Registers

The inherent dc gain of the CIC filter is DEC_RATE⁵. The control variables SHIFT and SCALE are used to reduce this very high gain before the signal is output to the next stage of decimation filter. The combined effect of DEC_RATE, SHIFT, and SCALE produces an overall dc gain for the CIC filter of:

$$\text{Gain} = \text{DEC_RATE}^5 \left(\frac{\text{Scale}/32}{2^{\text{shift}}} \right) \tag{8}$$

In general, SHIFT and SCALE should be chosen to make GAIN as close to 1 as possible. For example, if DEC_RATE is 20, setting SHIFT to 22 and scale to 41 will result in a GAIN of 0.9775.

PRODUCT PREVIEW

FIRST FIR FILTER

The block following the CIC filter is a decimate-by-two FIR filter with programmable coefficients. MODE sets the type of filter response—ODD (MODE = 00: symmetric impulse response, odd number of taps), EVEN (MODE = 01: symmetric impulse response, even number of taps), HALFBAND (MODE = 10), and ARBITRARY (MODE = 11: non-symmetric impulse response).

The 16-bit wide filter coefficients are stored in memory bank 0. Up to 64 coefficients can be stored in this memory. Depending on the types of filters desired and the number of taps, coefficients for multiple filter responses may be stored in the memory bank. The filter response may be changed simply by updating the control register with new values for MODE, NCOEFF, and BASE_ADDR, as shown in Figure 16.

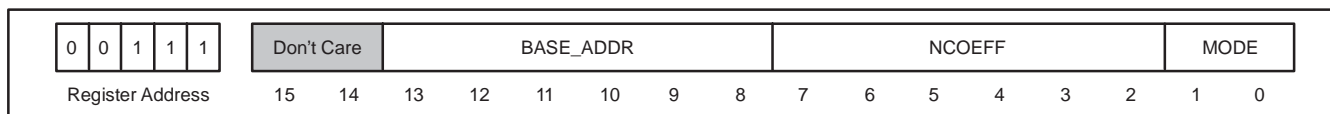


Figure 16. First FIR Filter Control Register

NCOEFF defines the number of unique filter coefficients which make up the filter response. BASE_ADDR defines the memory location where the first filter coefficient is stored. The actual filter length is a function of MODE and NCOEFF:

- Filter length = $2(\text{NCOEFF} - 1) + 1$ for ODD
- Filter length = 2NCOEFF for EVEN
- Filter length = $4(\text{NCOEFF} - 1) + 1$ for HALFBAND
- Filter length = NCOEFF for ARBITRARY

The maximum filter length which can be realized is limited by two factors. First, the number of clock cycles between successive filter outputs limits the number of coefficients which can be processed to:

$$\text{NCOEFF} \leq 2 \times \text{DEC_RATE} - 4 \quad (9)$$

where DEC_RATE is the decimation ration of the CIC filter. Second, the size of the data memory (which stores incoming data samples) limits filter length to 62 taps.

A filter response is defined by a set of NCOEFF 16-bit filter coefficients stored in memory bank 0 (MEM = 0) starting at address BASE_ADDR. MODE determines how the coefficients are applied to the samples stored in data memory.

Figure 17 is an example illustrating how the filter coefficients are applied to stored input samples in the various filter modes with NCOEFF = 6. Because NCOEFF = 6 in this example, six computation cycles are required to calculate the filter output regardless of the filter mode. The leftmost grouping in Figure 17 represents the six filter coefficients stored at ascending memory address in the coefficient memory starting at BASE_ADDR. At each computation cycle, the coefficient being applied to the input data is highlighted.

The leftmost grouping in Figure 17 represents the six filter coefficients stored at ascending memory address in the coefficient memory starting at BASE_ADDR. At each computation cycle, the coefficient being applied to the input data is highlighted.

The four groupings on the right in Figure 17 represent the four filter modes: EVEN, ODD, HALFBAND, and ARBITRARY. In each column, the locations in data memory that are operated on at each computation cycle is shown. The leftmost data sample in each group is the newest sample, the rightmost sample is the oldest. The chart illustrates the order in which computation on data occurs. To use the chart, select the filter mode of interest, then move down the chart through the six computation cycles to understand the sequence of calculations.

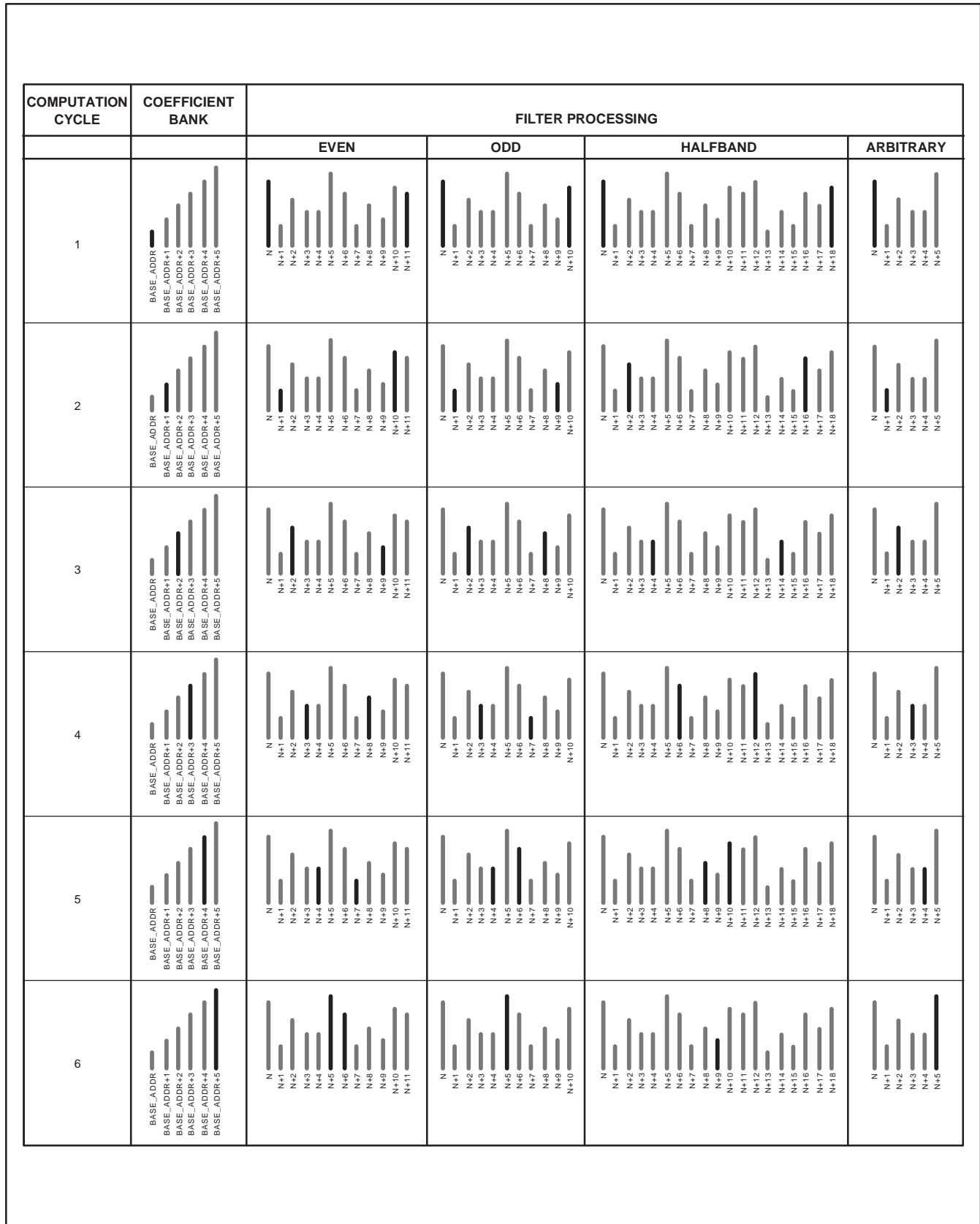


Figure 17. Application of Filter Coefficients in Different Filter Modes

For example, using the ODD mode in the first cycle of MCLK, the filter coefficient at BASE_ADDR is applied to two values in data memory, the most recent at address N and the oldest at address N+10. In the next cycle of MCLK the coefficient at BASE_ADDR+1 is applied to the data values at N+1 and N+9, and so on until the last coefficient at BASE_ADDR+5 is reached. Because this is an odd filter, the final coefficient is applied only to the data value at address N+5. The full cycle is shown in Table 3.

Table 3. ODD Mode Calculation Example with Six Filter Coefficients

Cycle	Filter Coefficient Address	Applied to Data Address
1	BASE_ADDR	N and N+10
2	BASE_ADDR+1	N+1 and N+9
3	BASE_ADDR+2	N+2 and N+8
4	BASE_ADDR+3	N+3 and N+7
5	BASE_ADDR+4	N+4 and N+6
6	BASE_ADDR+5	N+5

Figure 17 clearly illustrates that the overall filter length is different in different filter mode even if NCOEFF is unchanged. For NCOEFF = 6, filter length ranges from 6 taps for ARBITRARY mode to 19 taps for HALFBAND mode.

The dc gain of the FIR filter depends on the coefficient values and the filter mode.

For ODD mode and for HALFBAND mode, the dc gain is given by:

$$GAIN = \left(h_{NCOEFF} + \sum_{n=1}^{NCOEFF-1} 2h_n \right) / (2^{15} - 1) \quad (10)$$

where h_n is the n th of NCOEFF filter coefficients stored in memory.

For EVEN mode the dc gain is:

$$GAIN = \left(\sum_{n=1}^{NCOEFF} 2h_n \right) / (2^{15} - 1) \quad (11)$$

while for ARBITRARY mode the gain is:

$$GAIN = \left(\sum_{n=1}^{NCOEFF} h_n \right) / (2^{15} - 1) \quad (12)$$

SECOND FIR FILTER

The second FIR filter, shown in Figure 18, is similar to the first FIR filter with three notable exceptions. First, the depth of the coefficient and data memories are doubled to 128. This allows for filters up to 126 taps to be realized without running out of data memory. It also allows longer sets of filter coefficients to be stored in coefficient memory. Note that BASE_ADDR and NCOEFF are each one bit wider in the control register.

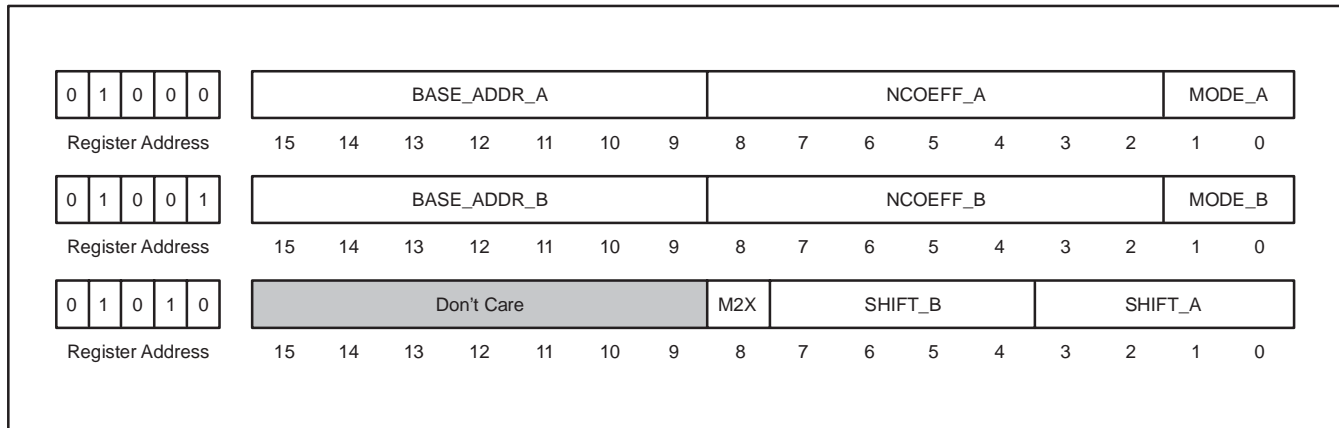


Figure 18. Second FIR Filter Control Register

Second, because of the additional decimation by two from the first FIR filter, twice as many MCLK cycles are available to process coefficients, increasing the maximum allowable value of NCOEFF to:

$$\text{NCOEFF} \leq 4 \times \text{DEC_RATE} - 4 \quad (13)$$

Finally, a second coefficient memory and computational unit is added to allow the simultaneous implementation of two filters with differing responses acting on the same input data stream. Coefficients for filter A are stored in memory bank 1 (MEM = 1) and coefficients for filter B are stored in memory bank 2 (MEM = 2).

Note that while the coefficient values for filter A and filter B can be different, the two filters share the same values for MODE, NCOEFF, and BASE_ADDR.

EXTENDED-LENGTH FILTER MODE

If FIR2A or FIR2B cannot provide enough filter taps to achieve the desired frequency response, setting control bit M2X will put the two filters into an interleaved mode, which will double the length of filter which can be realized. The limitations are:

1. only odd symmetrical filters may be realized;
2. the filter length M must be such that $(M + 1)/4$ is an integer; and
3. only one filter can be realized (in M2X mode the A and B outputs are identical: $IB = IA$ and $QB = QA$).

In addition to setting the M2X bit, FIR2A must be set to EVEN mode and FIR2B must be set to ODD mode. NCOEFF_A and NCOEFF_B are both set to $(M+1)/4$. SHIFT_A and SHIFT_B should be identical. There are no restrictions on BASE_ADDR_A or BASE_ADDR_B.

The M-tap filter will have $(M+1)/2$ unique coefficients. The first, third, fifth, etc. coefficients are loaded into the FIR2A coefficient memory; the second, fourth, sixth, etc. are loaded into the FIR2B memory. The center coefficient of the filter will end up as the last coefficient loaded into FIR2B.

AUXILIARY DAC

In normal operation the auxiliary DAC values are sent over the data interface through input pin DIN and framed by DFSI. The auxiliary DAC control register, shown in Figure 19, allows the DAC value to be set through the control interface as an alternative. A new DAC value through either interface will cause the DAC output to change, regardless of which interface set the previous DAC value. Please note, however, that unpredictable results will occur if both interfaces write to the DAC at the same time.

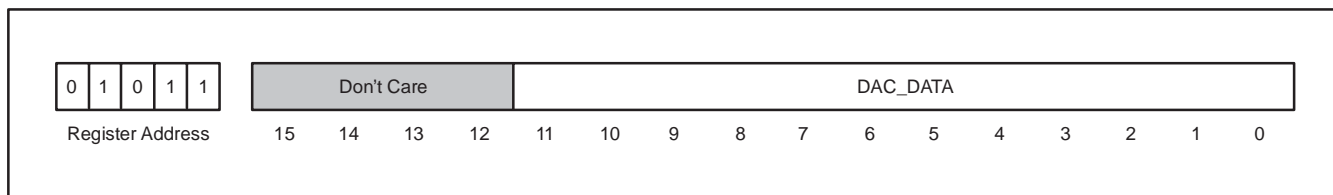


Figure 19. Auxiliary DAC Control Register

PGA AND POWER-DOWN

The gain of PGA and the power-down mode can be set in register 12. The gain setting of the PGA is shown in Table 4.

Table 4. PGA Gain Setting

PGA Gain Range	3-Bit Code (B4, B3, and B2)
1.00	000
1.14	100
1.33	010
1.60	110
2.00	001
2.67	101
4.00	011

Bit 0

PWD = 0 for normal operation.

PWD = 1 for power-down.

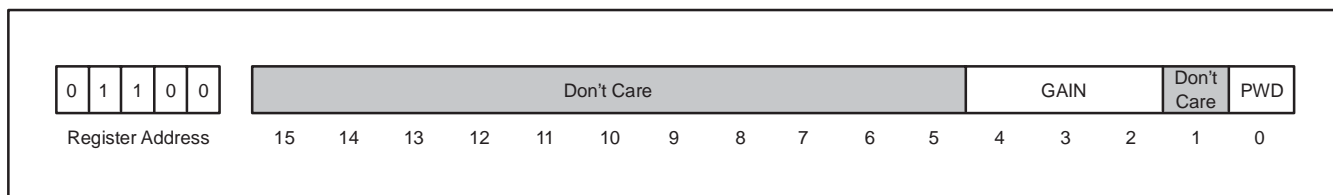


Figure 20. PGA and PWD Register

PACKAGING INFORMATION

Orderable Device	Status ⁽¹⁾	Package Type	Package Drawing	Pins	Package Qty	Eco Plan ⁽²⁾	Lead/Ball Finish	MSL Peak Temp ⁽³⁾
AFE8201PFBR	PREVIEW	TQFP	PFB	48	2000	None	Call TI	Call TI
AFE8201PFBT	PREVIEW	TQFP	PFB	48	250	None	Call TI	Call TI

⁽¹⁾ The marketing status values are defined as follows:

ACTIVE: Product device recommended for new designs.

LIFEBUY: TI has announced that the device will be discontinued, and a lifetime-buy period is in effect.

NRND: Not recommended for new designs. Device is in production to support existing customers, but TI does not recommend using this part in a new design.

PREVIEW: Device has been announced but is not in production. Samples may or may not be available.

OBSELETE: TI has discontinued the production of the device.

⁽²⁾ Eco Plan - May not be currently available - please check <http://www.ti.com/productcontent> for the latest availability information and additional product content details.

None: Not yet available Lead (Pb-Free).

Pb-Free (RoHS): TI's terms "Lead-Free" or "Pb-Free" mean semiconductor products that are compatible with the current RoHS requirements for all 6 substances, including the requirement that lead not exceed 0.1% by weight in homogeneous materials. Where designed to be soldered at high temperatures, TI Pb-Free products are suitable for use in specified lead-free processes.

Green (RoHS & no Sb/Br): TI defines "Green" to mean "Pb-Free" and in addition, uses package materials that do not contain halogens, including bromine (Br) or antimony (Sb) above 0.1% of total product weight.

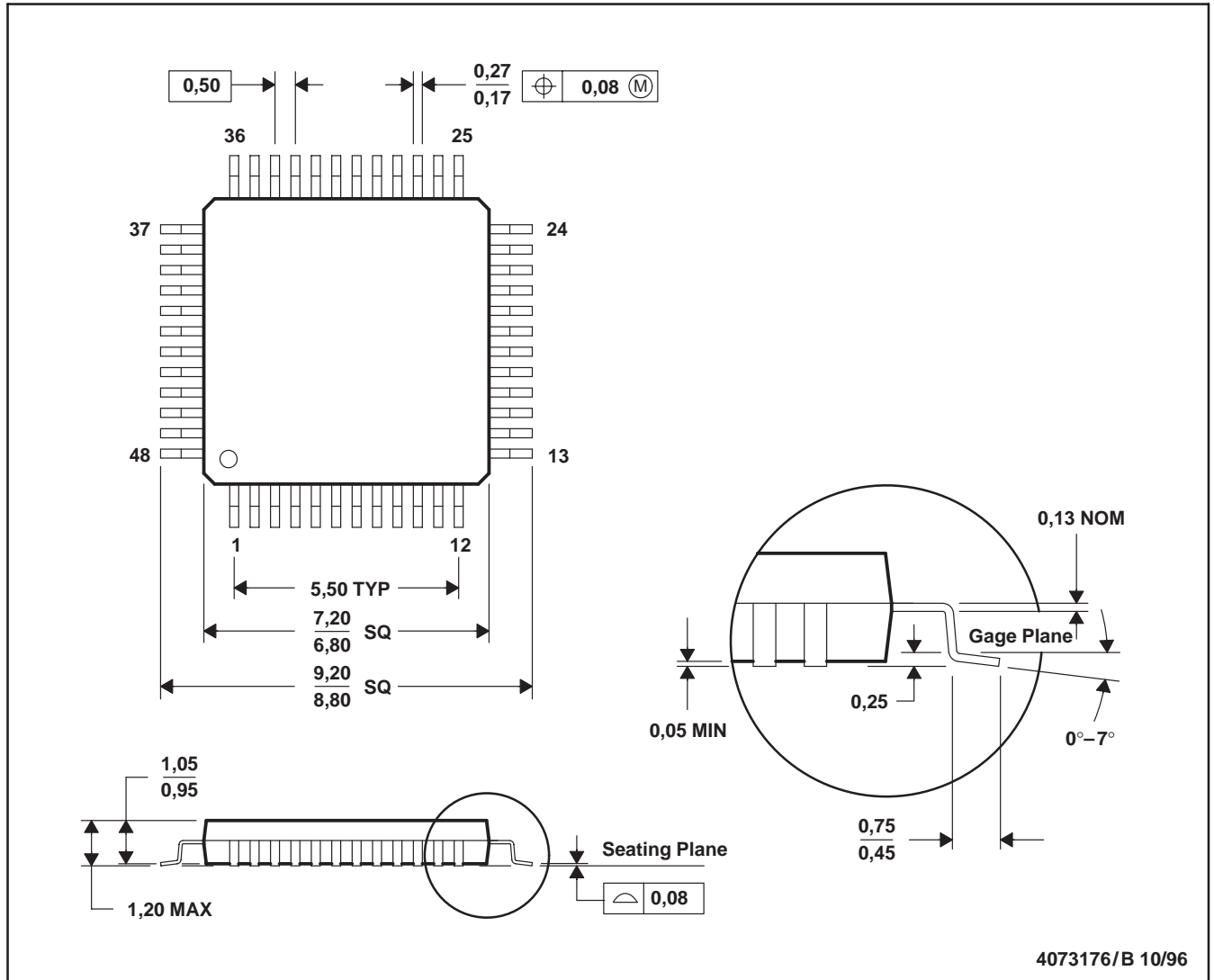
⁽³⁾ MSL, Peak Temp. -- The Moisture Sensitivity Level rating according to the JEDEC industry standard classifications, and peak solder temperature.

Important Information and Disclaimer:The information provided on this page represents TI's knowledge and belief as of the date that it is provided. TI bases its knowledge and belief on information provided by third parties, and makes no representation or warranty as to the accuracy of such information. Efforts are underway to better integrate information from third parties. TI has taken and continues to take reasonable steps to provide representative and accurate information but may not have conducted destructive testing or chemical analysis on incoming materials and chemicals. TI and TI suppliers consider certain information to be proprietary, and thus CAS numbers and other limited information may not be available for release.

In no event shall TI's liability arising out of such information exceed the total purchase price of the TI part(s) at issue in this document sold by TI to Customer on an annual basis.

PFB (S-PQFP-G48)

PLASTIC QUAD FLATPACK



- NOTES: A. All linear dimensions are in millimeters.
 B. This drawing is subject to change without notice.
 C. Falls within JEDEC MS-026

IMPORTANT NOTICE

Texas Instruments Incorporated and its subsidiaries (TI) reserve the right to make corrections, modifications, enhancements, improvements, and other changes to its products and services at any time and to discontinue any product or service without notice. Customers should obtain the latest relevant information before placing orders and should verify that such information is current and complete. All products are sold subject to TI's terms and conditions of sale supplied at the time of order acknowledgment.

TI warrants performance of its hardware products to the specifications applicable at the time of sale in accordance with TI's standard warranty. Testing and other quality control techniques are used to the extent TI deems necessary to support this warranty. Except where mandated by government requirements, testing of all parameters of each product is not necessarily performed.

TI assumes no liability for applications assistance or customer product design. Customers are responsible for their products and applications using TI components. To minimize the risks associated with customer products and applications, customers should provide adequate design and operating safeguards.

TI does not warrant or represent that any license, either express or implied, is granted under any TI patent right, copyright, mask work right, or other TI intellectual property right relating to any combination, machine, or process in which TI products or services are used. Information published by TI regarding third-party products or services does not constitute a license from TI to use such products or services or a warranty or endorsement thereof. Use of such information may require a license from a third party under the patents or other intellectual property of the third party, or a license from TI under the patents or other intellectual property of TI.

Reproduction of information in TI data books or data sheets is permissible only if reproduction is without alteration and is accompanied by all associated warranties, conditions, limitations, and notices. Reproduction of this information with alteration is an unfair and deceptive business practice. TI is not responsible or liable for such altered documentation.

Resale of TI products or services with statements different from or beyond the parameters stated by TI for that product or service voids all express and any implied warranties for the associated TI product or service and is an unfair and deceptive business practice. TI is not responsible or liable for any such statements.

Following are URLs where you can obtain information on other Texas Instruments products and application solutions:

Products		Applications	
Amplifiers	amplifier.ti.com	Audio	www.ti.com/audio
Data Converters	dataconverter.ti.com	Automotive	www.ti.com/automotive
DSP	dsp.ti.com	Broadband	www.ti.com/broadband
Interface	interface.ti.com	Digital Control	www.ti.com/digitalcontrol
Logic	logic.ti.com	Military	www.ti.com/military
Power Mgmt	power.ti.com	Optical Networking	www.ti.com/opticalnetwork
Microcontrollers	microcontroller.ti.com	Security	www.ti.com/security
		Telephony	www.ti.com/telephony
		Video & Imaging	www.ti.com/video
		Wireless	www.ti.com/wireless

Mailing Address: Texas Instruments
Post Office Box 655303 Dallas, Texas 75265