



Doc.No: AFY240320A0-2.4N6NTN-R

REV : A0

PAGE : 1/21

EFFECTIVE DATE : 2013-03-20

SPECIFICATION OF LCD MODULE

MODULE NO: AFY240320A0-2.4N6NTN-R

Customer Approval:

Accept

Reject

FUTURE FOCUS	SIGNATURE	DATE
PREPARED BY		
CHECKED BY		
APPROVED BY		



Doc.No: AFY240320A0-2.4N6NTN-R

REV : A0

PAGE : 2/21

EFFECTIVE DATE : 2013-03-20

Sample Version	Doc. Version	DATE	DESCRIPTION	CHECKED BY
0001	A0	2013-03-20	First Release	

CONTENTS

List	Description	Page No.
	NUMBER SYSTEM INTRODUCTION	4
1	GENERAL SPECIFICATIONS	4
2	BLOCK DIAGRAM	5
3	DIMENSIONAL OUTLINE	6
4	PIN DESCRIPTION	7
5	ELECTRICAL CHARACTERISTICS	9
6	INPUT SIGNAL TIMING	11
7	OPTICAL CHARACTERISTICS	18
8	RELIABILITY	20
9	SPECIFICATION OF QUALITY ASSURANCE	20
10	GENERAL PRECAUTION	20
11	LIMITED WARRANTY	20
12	PACKAGE	21

NUMBER SYSTEM INTRODUCTION:

AFY240320A0-2.4N6NTN-R:

AF: Orient Display TFT;

Y: JAZZ TFT;

240320: Length * width pixel;

A0: Product Version;

2.4: Diagonal Dimension;

N: LCD Mode (N: TN; I: IPS; V: VA)

6: Viewing Direction (6-> 6:00; 12->12:00; Unavailable for IPS and VA);

N: Temperature Range (N: Normal; W: Wide);

T: Polarizer (T:Transmissive; F:Transflective);

N: Luminance (N: Normal <300 nit; M: Middle >=300 & <600 nit;

H: High >=600 nit);

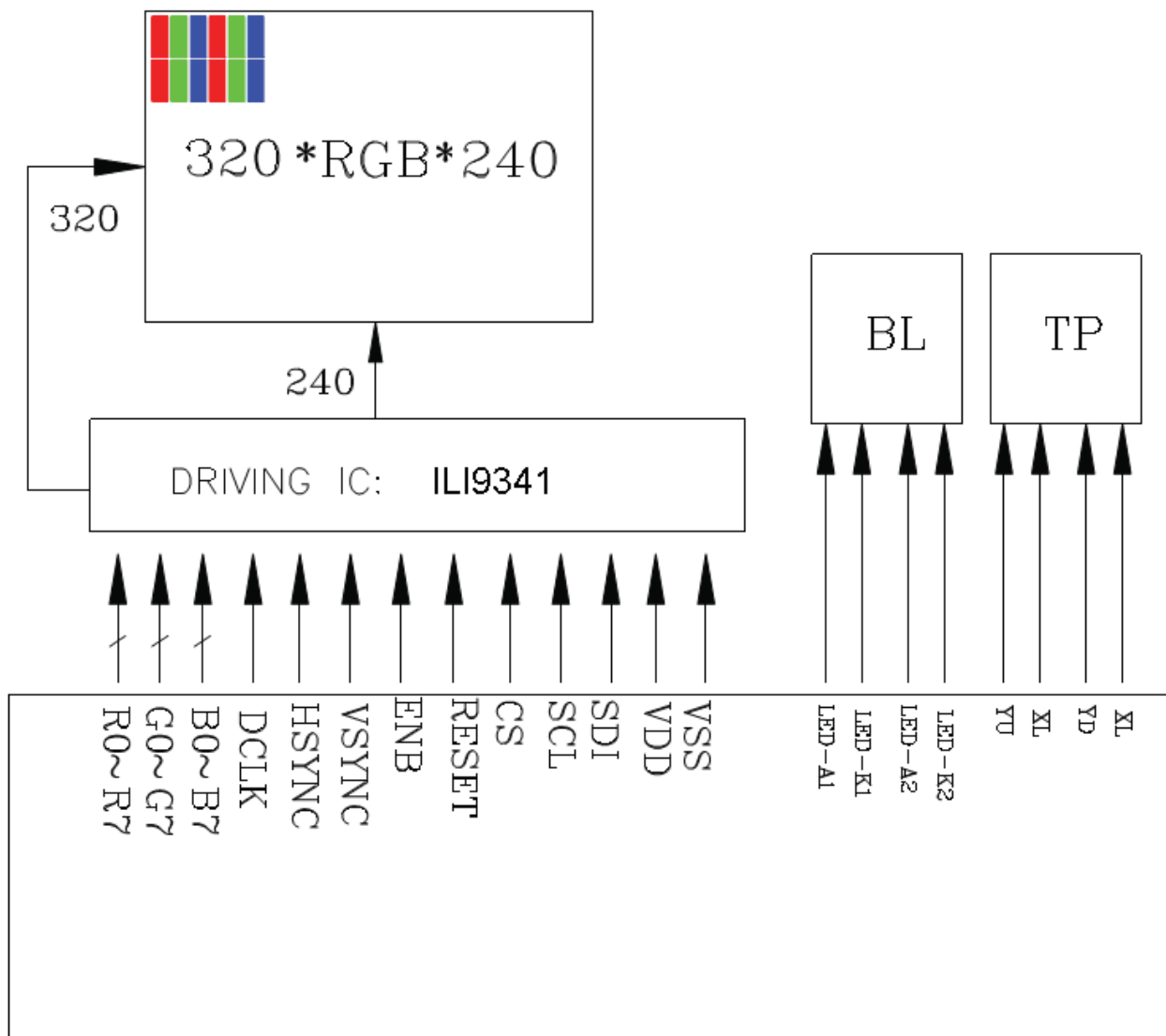
R: TP Option (R: Resistive TP; C: Capacitive TP; N: Without TP);

1. GENERAL SPECIFICATIONS

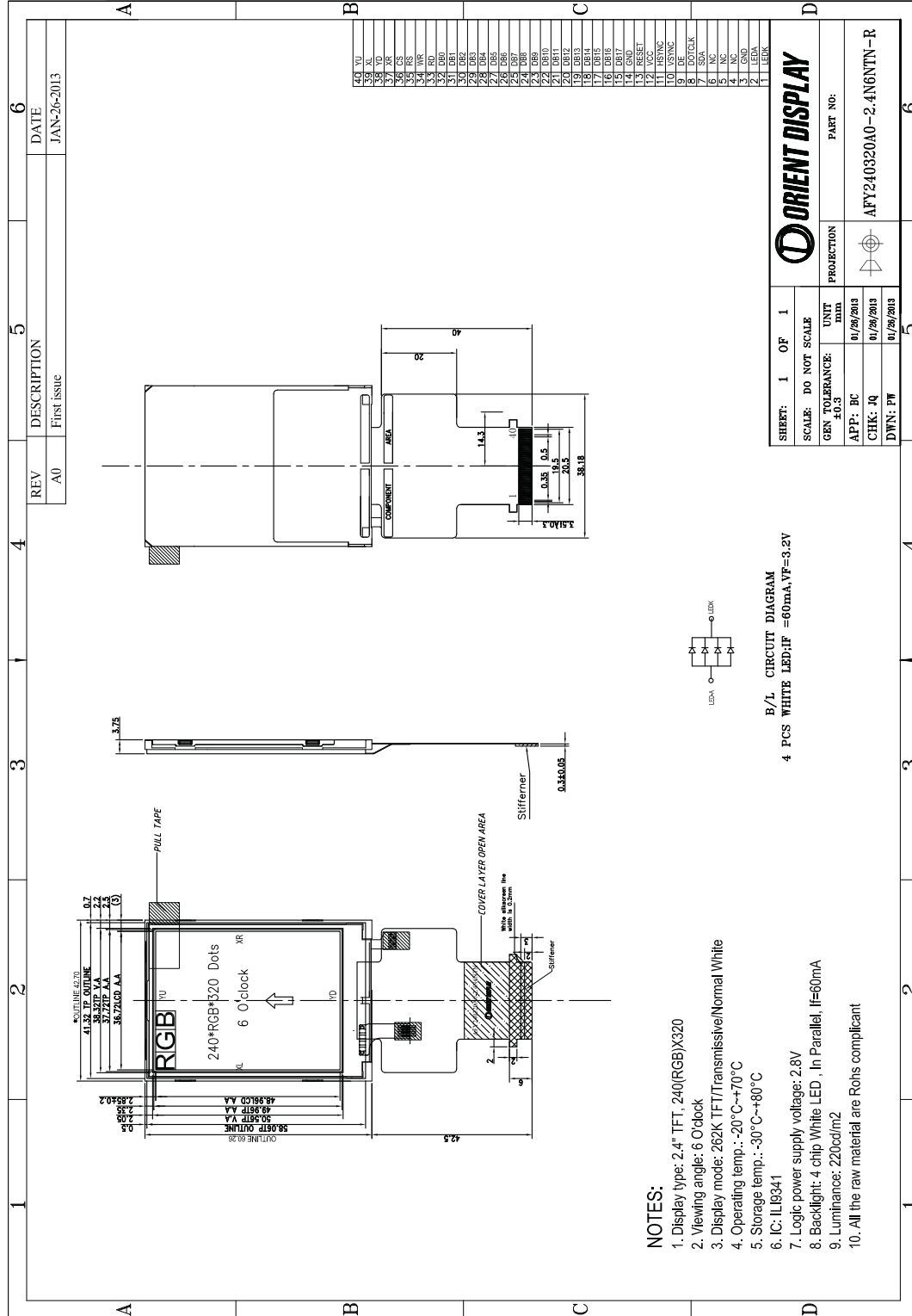
ITEM	SPECIFICATION	UNIT
OUTLINE DIMENSIONS	42.7 (W) X60.26 (H) X3.75 (D)	mm
DISPLAY SIZE	2.4	inch
DOT PITCH	0.153mmX0.153mm	mm
NUMBER OF DOTS	240* (RGB) *320	-
DRIVER IC	ILI9341	-
LCD TYPE	TFT(262K) TRANSMISSIVE	-
INTERFACE	MCU 18 BITS	
BACKLIGHT TYPE	LED White	-
VIEWING DIRECTION	6 O'clock	-
GRAY SCALE INVERSION DIRECTION	12 O'clock	

***See attached drawing for details.**

2. BLOCK DIAGRAM



3. DIMENSIONAL OUTLINE

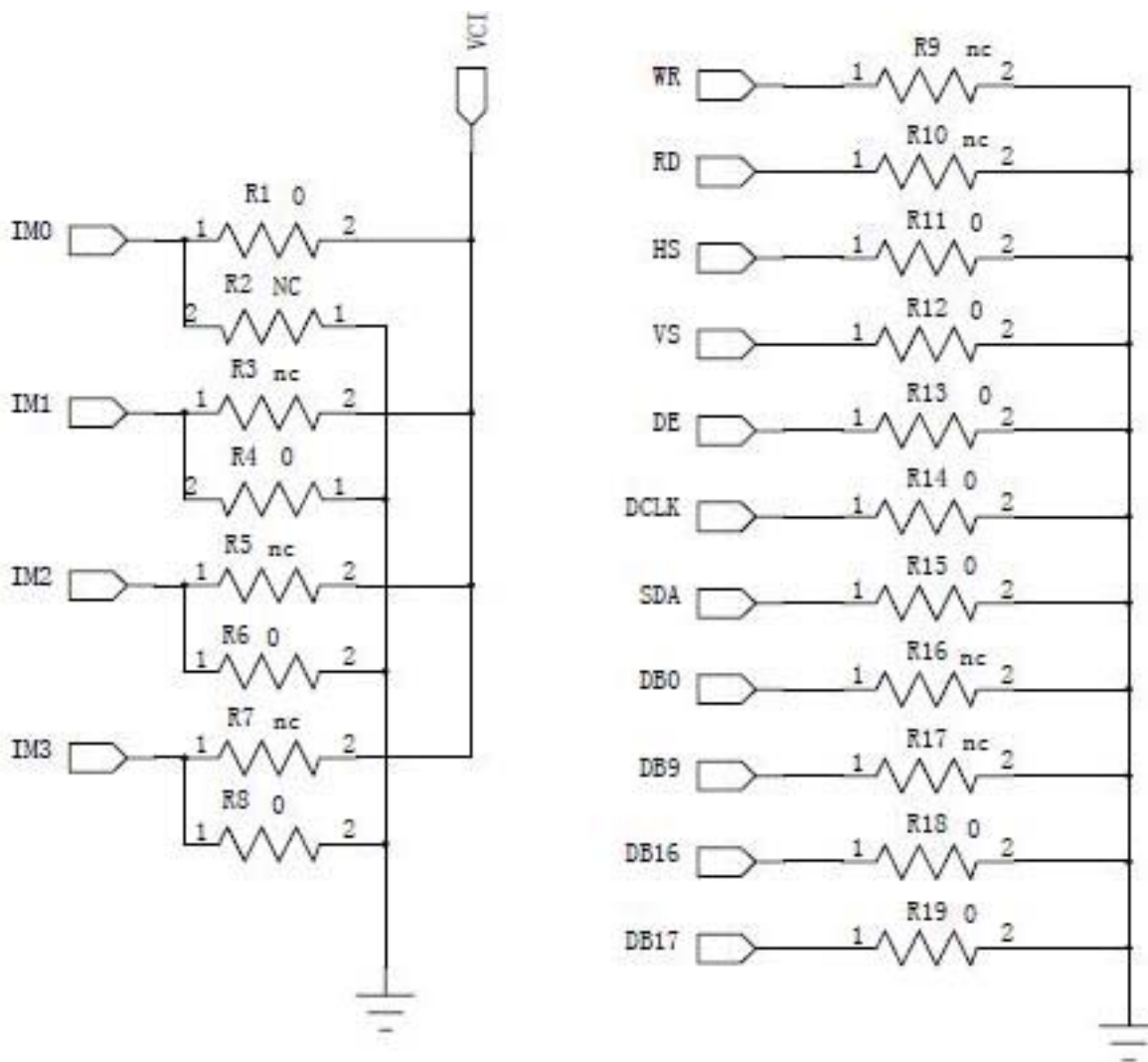


4. PIN DESCRIPTION

NO.	PIN NAME	Type	Description																																																																															
1	LEDK	P	Power supply for LED (Cathode)																																																																															
2	LEDA	P	Power supply for LED (Anode)																																																																															
3	GND	P	Ground(0V)																																																																															
4~6	NC	-	No connection																																																																															
7	SDA	I/O	SPI Serial Data Input/output																																																																															
8	DOTCLK	I	Pixel clock signal																																																																															
9	DE	I	Data enable																																																																															
10	VSYNC	I	Vertical synchronizing signal																																																																															
11	HSYNC	I	Horizontal synchronizing signal																																																																															
12	VCC	P	Power voltage																																																																															
13	RESET	I	Reset signal																																																																															
14	GND	P	Ground(0V)																																																																															
15-32	DB17~DB0	I/O	Data bus - Select the MCU interface mode <table border="1" data-bbox="803 882 1388 1407"> <thead> <tr> <th rowspan="2">IM3</th> <th rowspan="2">IM2</th> <th rowspan="2">IM1</th> <th rowspan="2">IM0</th> <th rowspan="2">MCU-Interface Mode</th> <th colspan="2">DB Pin in use</th> </tr> <tr> <th>Register/Content</th> <th>GRAM</th> </tr> </thead> <tbody> <tr> <td>0</td> <td>0</td> <td>0</td> <td>0</td> <td>80 MCU 8-bit bus interface I</td> <td>D[7:0]</td> <td>D[7:0]</td> </tr> <tr> <td>0</td> <td>0</td> <td>0</td> <td>1</td> <td>80 MCU 16-bit bus interface I</td> <td>D[7:0]</td> <td>D[15:0]</td> </tr> <tr> <td>0</td> <td>0</td> <td>1</td> <td>0</td> <td>80 MCU 9-bit bus interface I</td> <td>D[7:0]</td> <td>D[8:0]</td> </tr> <tr> <td>0</td> <td>0</td> <td>1</td> <td>1</td> <td>80 MCU 18-bit bus interface I</td> <td>D[7:0]</td> <td>D[17:0]</td> </tr> <tr> <td>0</td> <td>1</td> <td>0</td> <td>1</td> <td>3-wire 9-bit data serial interface I</td> <td colspan="2">SDA: In/OUT</td> </tr> <tr> <td>0</td> <td>1</td> <td>1</td> <td>0</td> <td>4-wire 8-bit data serial interface I</td> <td colspan="2">SDA: In/OUT</td> </tr> <tr> <td>1</td> <td>0</td> <td>0</td> <td>0</td> <td>80 MCU 16-bit bus interface II</td> <td>D[8:1]</td> <td>D[17:10], D[8:1]</td> </tr> <tr> <td>1</td> <td>0</td> <td>0</td> <td>1</td> <td>80 MCU 8-bit bus interface II</td> <td>D[17:10]</td> <td>D[17:10]</td> </tr> <tr> <td>1</td> <td>0</td> <td>1</td> <td>0</td> <td>80 MCU 18-bit bus interface II</td> <td>D[8:1]</td> <td>D[17:0]</td> </tr> <tr> <td>1</td> <td>0</td> <td>1</td> <td>1</td> <td>80 MCU 9-bit bus interface II</td> <td>D[17:10]</td> <td>D[17:9]</td> </tr> </tbody> </table>	IM3	IM2	IM1	IM0	MCU-Interface Mode	DB Pin in use		Register/Content	GRAM	0	0	0	0	80 MCU 8-bit bus interface I	D[7:0]	D[7:0]	0	0	0	1	80 MCU 16-bit bus interface I	D[7:0]	D[15:0]	0	0	1	0	80 MCU 9-bit bus interface I	D[7:0]	D[8:0]	0	0	1	1	80 MCU 18-bit bus interface I	D[7:0]	D[17:0]	0	1	0	1	3-wire 9-bit data serial interface I	SDA: In/OUT		0	1	1	0	4-wire 8-bit data serial interface I	SDA: In/OUT		1	0	0	0	80 MCU 16-bit bus interface II	D[8:1]	D[17:10], D[8:1]	1	0	0	1	80 MCU 8-bit bus interface II	D[17:10]	D[17:10]	1	0	1	0	80 MCU 18-bit bus interface II	D[8:1]	D[17:0]	1	0	1	1	80 MCU 9-bit bus interface II	D[17:10]	D[17:9]
			IM3						IM2	IM1	IM0	MCU-Interface Mode	DB Pin in use																																																																					
				Register/Content	GRAM																																																																													
			0	0	0	0	80 MCU 8-bit bus interface I	D[7:0]	D[7:0]																																																																									
			0	0	0	1	80 MCU 16-bit bus interface I	D[7:0]	D[15:0]																																																																									
			0	0	1	0	80 MCU 9-bit bus interface I	D[7:0]	D[8:0]																																																																									
			0	0	1	1	80 MCU 18-bit bus interface I	D[7:0]	D[17:0]																																																																									
			0	1	0	1	3-wire 9-bit data serial interface I	SDA: In/OUT																																																																										
			0	1	1	0	4-wire 8-bit data serial interface I	SDA: In/OUT																																																																										
			1	0	0	0	80 MCU 16-bit bus interface II	D[8:1]	D[17:10], D[8:1]																																																																									
			1	0	0	1	80 MCU 8-bit bus interface II	D[17:10]	D[17:10]																																																																									
			1	0	1	0	80 MCU 18-bit bus interface II	D[8:1]	D[17:0]																																																																									
			1	0	1	1	80 MCU 9-bit bus interface II	D[17:10]	D[17:9]																																																																									
33	RD	I	Read signal, active at low in MCU mode; In SPI mode, connect to GND																																																																															
34	WR	I	Write Signal, active at low in MCU mode; In SPI mode, SPI Serial Clock																																																																															
35	RS	I	In MCU mode, Register select signal, low is selected data register; High is selected command register. In SPI mode, connect to GND																																																																															
36	CS	I	Chip selection pin/ Serial port data enable signal																																																																															
37	XR	-	TP: X right																																																																															
38	YC	-	TP: Y bottom																																																																															
39	XL	-	TP: X left																																																																															
40	YU	-	TP: Y top																																																																															

Note: 1: input, 0: output, P: Power

Note: 2: Default interface of this part is "80 MCU 16-bit bus interface I" ([IM3:IM0] =0001), and "HS", "VS", "DE", "DCLK", "SDA", "DB16", "DB17", already are connected to GND via 0 ohm resistor on FPC. Refer to below circuit.



5. ELECTRICAL CHARACTERISTICS

5.1 Absolute Maximum Ratings

Item	Symbol	Values		Unit	Remark
		Min	Max.		
Power Supply for Pump	VCC	-0.3	4.5	V	
Operating temperature range	To	-20	70	Degree C	
Storage temperature range	Ts	-30	80	Degree C	
Logic input voltage range	VI	-0.3	VCC+0.3	V	
Logic input voltage range	VO	-0.3	VCC+0.3	V	

Note: Stresses beyond those given in the Absolute Maximum Rating table may cause operational errors or damage to the device. For normal operational conditions see AC/DC Electrical Characteristics

5.2 DC Characteristics

5.2.2 DC Characteristics for Digital Circuit

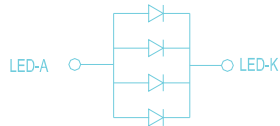
Item	Symbol	Values			Unit	Conditions
		Min	Typ.	Max.		
Low Level Input Voltage	Vil	GND	-	0.3xVCC	v	
High Level Input Voltage	Vih	0.7xVCC	-	VCC	uA	
High Level Output Voltage	Voh	VCC-0.4	-	VCC	ohm	
Low Level Output Voltage	Vol	GND	-	GND+0.4	uA	
Power Supply	VCC	2.5	2.8	3.3	V	
Input Leakage Current	Iil			±1.0	uA	
Pull High/Low Resistor	Rp	-	100K	-	ohm	

5.3 DC Back Light Unit

Item	Symbol	Min.	Typ.	Max.	Unit	Remark
Average luminous Intensity	Iv		220		cd/m ²	IF=60mA
Chromaticity Coordinates	X	0.234	0.284	0.334		IF=60mA
	Y	0.273	0.323	0.373		IF=60mA
Forward Voltage	VF		3.2	3.4	V	IF=60mA
Reverse Current	IR			50	μA	VR=5V, 1LED
Luminous Tolerance	IV-M	80			%	(MIN/MAX)×100
Power Dissipation	Pd		192		mW	
Peak Forward Current	I _{fp}		100		uA	
Reverse Voltage	VR		5		V	

B/L CIRCUIT DIAGRAM

4 PCS WHITE LED; IF = 60mA, VF = 3.2V

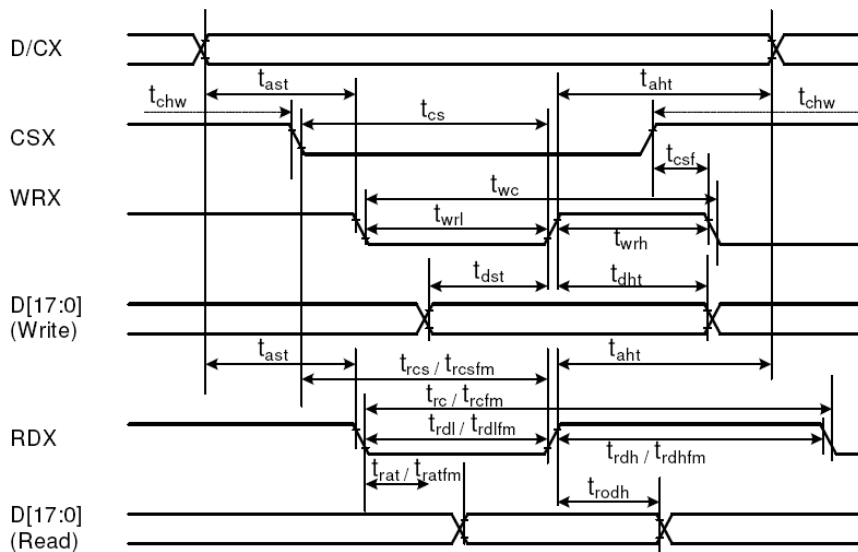


5.4 DC Touch Panel Unit

Item	Symbol	Min.	Type.	Max.	unit	Remark
Transparency	-	80	-	-	%	JIS K-7105
Hardness Of Surface	-	-	3	-	H	150gf 45°
FPC Peeling Strength	-	5		-	N	Upward 90°
FPC Bending	-	-	3	-	cycle	R=1.0, 90°
Input Force	60	-		100	gf	-
Rated Voltage	V touch			3	V	DC
X-axis Resistance	R _x	150		500		FPC PIN
X-axis Resistance	R _y	300		850		
Linearity	-	-	±1.5	±2.0	%	-
Chattering	-	-	-	10	ms	-
Insulation Resistance	R _i	20	-	-	MΩ	-

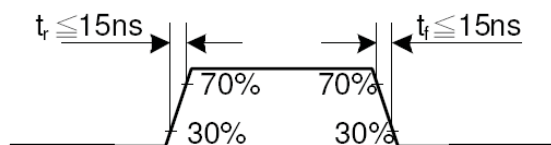
6. INPUT SIGNAL TIMING

6.1 Display Parallel 18/16/9/8-bit Interface Timing Characteristics (8080-I system)

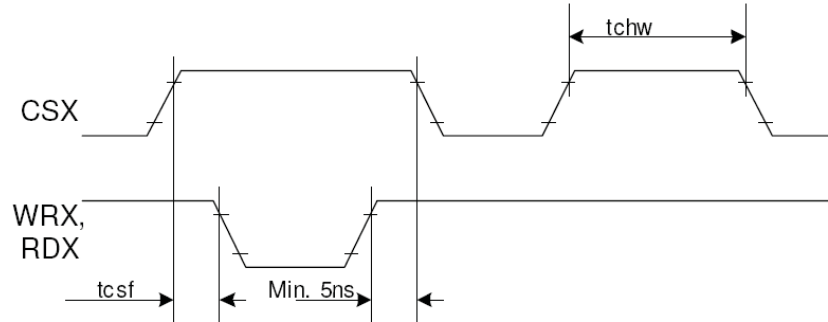


Signal	Symbol	Parameter	min	max	Unit	Description
DCX	tast	Address setup time	0	-	ns	
	taht	Address hold time (Write/Read)	0	-	ns	
CSX	tchw	CSX "H" pulse width	0	-	ns	
	tcs	Chip Select setup time (Write)	15	-	ns	
	trcs	Chip Select setup time (Read ID)	45	-	ns	
	trcsfm	Chip Select setup time (Read FM)	355	-	ns	
	tcsf	Chip Select Wait time (Write/Read)	10	-	ns	
WRX	twc	Write cycle	66	-	ns	
	twrh	Write Control pulse H duration	15	-	ns	
	twrl	Write Control pulse L duration	15	-	ns	
RDX (FM)	trcfm	Read Cycle (FM)	450	-	ns	
	trdhfm	Read Control H duration (FM)	90	-	ns	
	trdlfm	Read Control L duration (FM)	355	-	ns	
RDX (ID)	trc	Read cycle (ID)	160	-	ns	
	trdh	Read Control pulse H duration	90	-	ns	
	trdl	Read Control pulse L duration	45	-	ns	
D[17:0], D[15:0], D[8:0], D[7:0]	tdst	Write data setup time	10	-	ns	For maximum CL=30pF For minimum CL=8pF
	tdht	Write data hold time	10	-	ns	
	trat	Read access time	-	40	ns	
	tratfm	Read access time	-	340	ns	
	trod	Read output disable time	20	80	ns	

Note: $T_a = -30$ to 70 °C, $V_{DDI} = 1.65V$ to $3.3V$, $V_{CI} = 2.5V$ to $3.3V$, $V_{SS} = 0V$

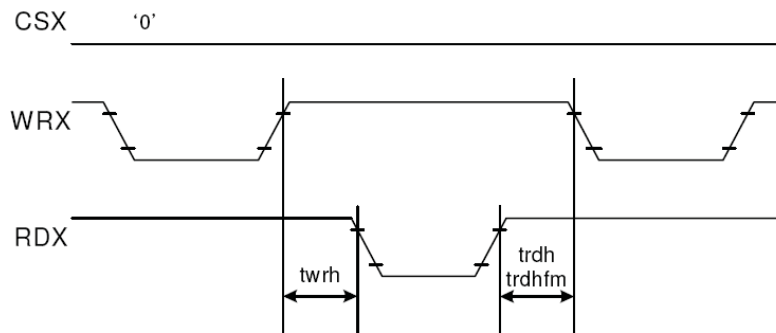


CSX timings :



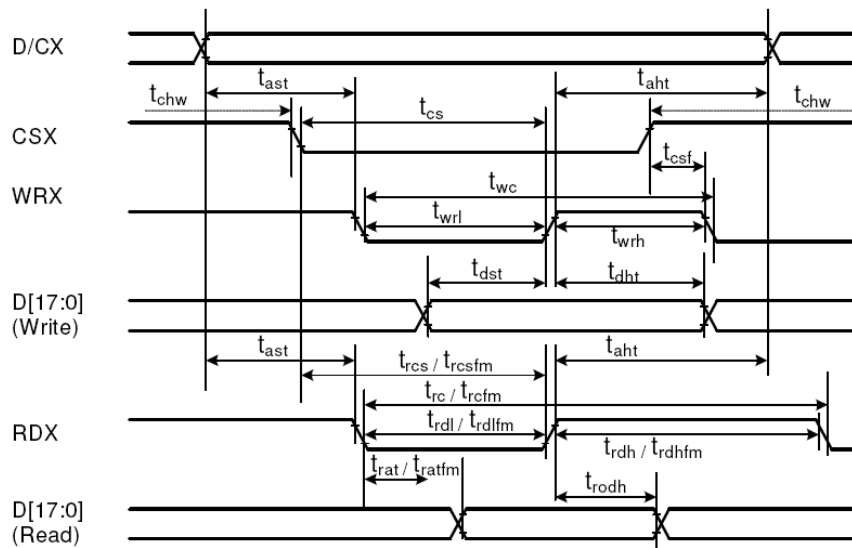
Note: Logic high and low levels are specified as 30% and 70% of VDDI for Input signals.

Write to read or read to write timings:



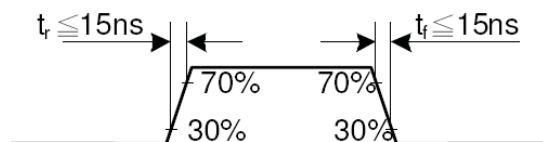
Note: Logic high and low levels are specified as 30% and 70% of VDDI for Input signals.

6.2 Display Parallel 18/16/9/8-bit Interface Timing Characteristics (8080-II system)

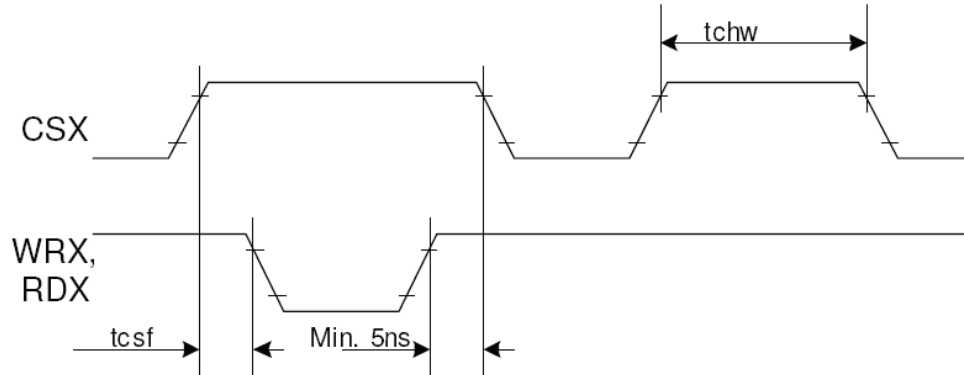


Signal	Symbol	Parameter	min	max	Unit	Description
DCX	t _{ast}	Address setup time	0	-	ns	
	t _{ah}	Address hold time (Write/Read)	0	-	ns	
CSX	t _{chw}	CSX "H" pulse width	0	-	ns	
	t _{cs}	Chip Select setup time (Write)	15	-	ns	
	t _{rcs}	Chip Select setup time (Read ID)	45	-	ns	
	t _{rcsfm}	Chip Select setup time (Read FM)	355	-	ns	
	t _{csf}	Chip Select Wait time (Write/Read)	10	-	ns	
WRX	t _{wc}	Write cycle	66	-	ns	
	t _{wrh}	Write Control pulse H duration	15	-	ns	
RDX (FM)	t _{wrl}	Write Control pulse L duration	15	-	ns	
	t _{rcfm}	Read Cycle (FM)	450	-	ns	
	t _{rdhfm}	Read Control H duration (FM)	90	-	ns	
RDX (ID)	t _{rdlfm}	Read Control L duration (FM)	355	-	ns	
	t _{trc}	Read cycle (ID)	160	-	ns	
	t _{trdh}	Read Control pulse H duration	90	-	ns	
D[17:0], D[17:10]&D[8:1], D[17:10], D[17:9]	t _{trdl}	Read Control pulse L duration	45	-	ns	
	t _{dst}	Write data setup time	10	-	ns	For maximum CL=30pF For minimum CL=8pF
	t _{dht}	Write data hold time	10	-	ns	
	t _{rat}	Read access time	-	40	ns	
	t _{ratfm}	Read access time	-	340	ns	
t _{rodh}	Read output disable time	20	80	ns		

Note: $T_a = -30$ to 70 °C, $V_{DDI}=1.65V$ to $3.3V$, $V_{CI}=2.5V$ to $3.3V$, $V_{SS}=0V$.

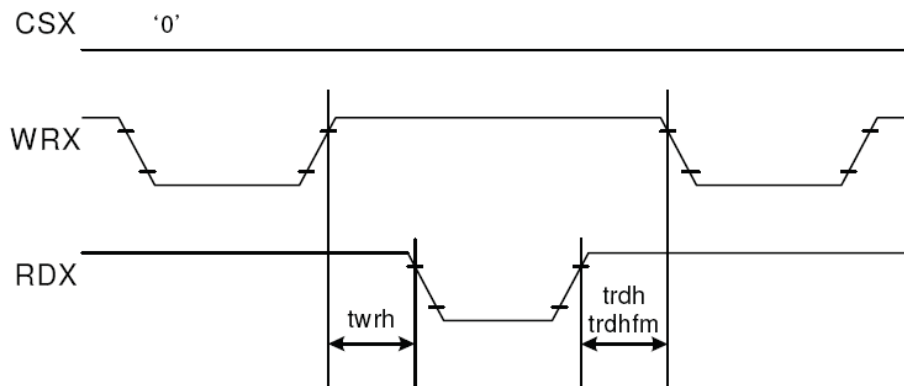


CSX timings :



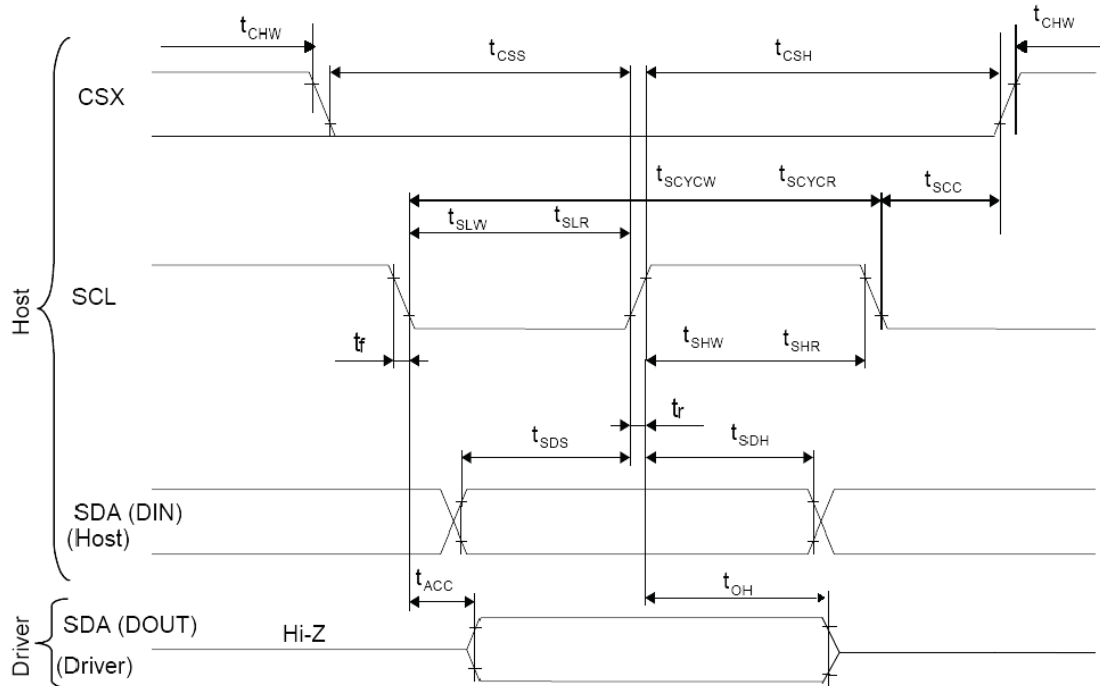
Note: Logic high and low levels are specified as 30% and 70% of VDDI for Input signals.

Write to read or read to write timings:



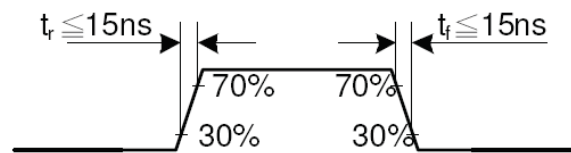
Note: Logic high and low levels are specified as 30% and 70% of VDDI for Input signals.

6.3 Display Serial Interface Timing Characteristics (3-line SPI system)

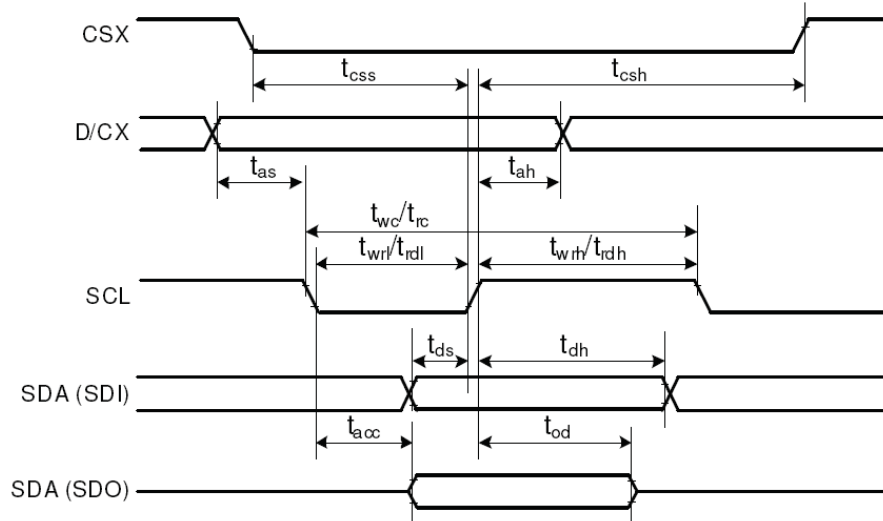


Signal	Symbol	Parameter	min	max	Unit	Description
SCL	tscycw	Serial Clock Cycle (Write)	100	-	ns	
	tshw	SCL "H" Pulse Width (Write)	40	-	ns	
	tslw	SCL "L" Pulse Width (Write)	40	-	ns	
	tscycr	Serial Clock Cycle (Read)	150	-	ns	
	tshr	SCL "H" Pulse Width (Read)	60	-	ns	
	tslr	SCL "L" Pulse Width (Read)	60	-	ns	
SDA / SDI (Input)	tsds	Data setup time (Write)	30	-	ns	
	tsdh	Data hold time (Write)	30	-	ns	
SDA / SDO (Output)	tacc	Access time (Read)	10	-	ns	
	toh	Output disable time (Read)	10	50	ns	
CSX	tsc	SCL-CSX	20	-	ns	
	tchw	CSX "H" Pulse Width	40	-	ns	
	tc	CSX-SCL Time	60	-	ns	
	tcsh	CSX-SCL Time	65	-	ns	

Note: $T_a = 25^\circ\text{C}$, $V_{DDI}=1.65\text{V to }3.3\text{V}$, $V_{CI}=2.5\text{V to }3.3\text{V}$, $AGND=VSS=0\text{V}$

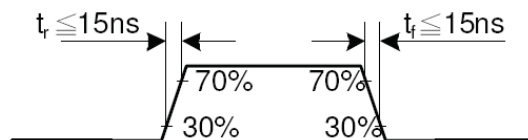


6.4 Display Serial Interface Timing Characteristics (4-line SPI system)

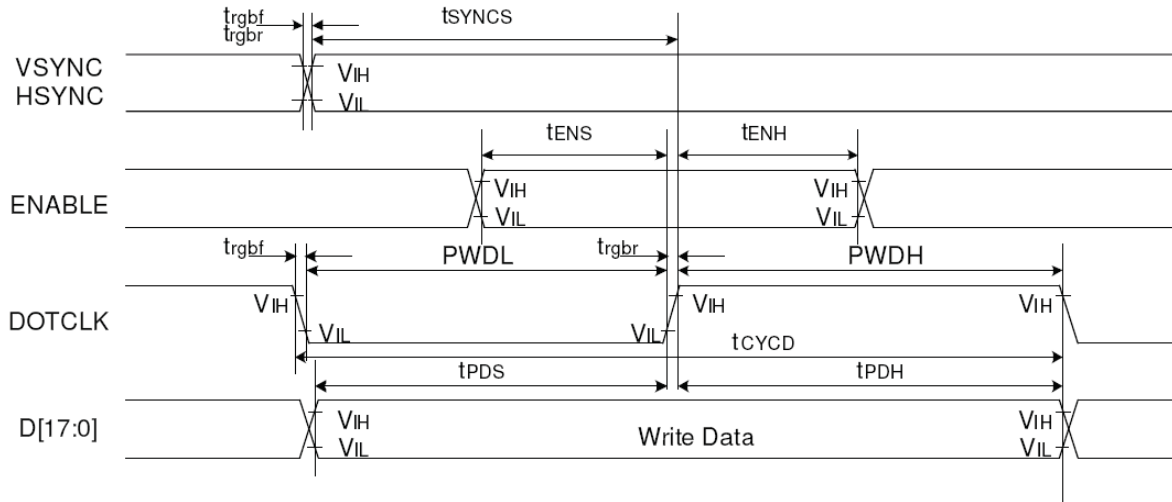


Signal	Symbol	Parameter	min	max	Unit	Description
CSX	t_{css}	Chip select time (Write)	40	-	ns	
	t_{csh}	Chip select hold time (Read)	40	-	ns	
SCL	t_{wc}	Serial clock cycle (Write)	100	-	ns	
	t_{wrh}	SCL "H" pulse width (Write)	40	-	ns	
	t_{wrl}	SCL "L" pulse width (Write)	40	-	ns	
	t_{rc}	Serial clock cycle (Read)	150	-	ns	
	t_{rdh}	SCL "H" pulse width (Read)	60	-	ns	
	t_{rdl}	SCL "L" pulse width (Read)	60	-	ns	
D/CX	t_{as}	D/CX setup time	10	-		
	t_{ah}	D/CX hold time (Write / Read)	10	-		
SDA / SDI (Input)	t_{ds}	Data setup time (Write)	30	-	ns	
	t_{dh}	Data hold time (Write)	30	-	ns	
SDA / SDO (Output)	t_{acc}	Access time (Read)	10	-	ns	For maximum CL=30pF
	t_{od}	Output disable time (Read)	10	50	ns	For minimum CL=8pF

Note: $T_a = 25^\circ\text{C}$, $V_{DDI} = 1.65\text{V to } 3.3\text{V}$, $V_{CI} = 2.5\text{V to } 3.3\text{V}$, $AGND = VSS = 0\text{V}$

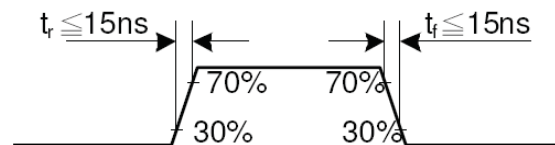


6.5 Parallel 18/16/6-bit RGB Interface Timing Characteristics



Signal	Symbol	Parameter	min	max	Unit	Description
VSYNC / HSYNC	t_{SYNCS}	VSYNC/HSYNC setup time	15	-	ns	18/16-bit bus RGB interface mode
	t_{SYNCH}	VSYNC/HSYNC hold time	15	-	ns	
DE	t_{ENS}	DE setup time	15	-	ns	
	t_{ENH}	DE hold time	15	-	ns	
D[17:0]	t_{POS}	Data setup time	15	-	ns	
	t_{PDH}	Data hold time	15	-	ns	
DOTCLK	PWDH	DOTCLK high-level period	15	-	ns	
	PWDL	DOTCLK low-level period	15	-	ns	
	t_{CYCD}	DOTCLK cycle time	100	-	ns	
	t_{trgbr}, t_{trgbf}	DOTCLK, HSYNC, VSYNC rise/fall time	-	15	ns	
VSYNC / HSYNC	t_{SYNCS}	VSYNC/HSYNC setup time	15	-	ns	6-bit bus RGB interface mode
	t_{SYNCH}	VSYNC/HSYNC hold time	15	-	ns	
DE	t_{ENS}	DE setup time	15	-	ns	
	t_{ENH}	DE hold time	15	-	ns	
D[17:0]	t_{POS}	Data setup time	15	-	ns	
	t_{PDH}	Data hold time	15	-	ns	
DOTCLK	PWDH	DOTCLK high-level pulse period	15	-	ns	
	PWDL	DOTCLK low-level pulse period	15	-	ns	
	t_{CYCD}	DOTCLK cycle time	100	-	ns	
	t_{trgbr}, t_{trgbf}	DOTCLK, HSYNC, VSYNC rise/fall time	-	15	ns	

Note: $T_a = -30$ to 70 °C, $V_{DDI} = 1.65V$ to $3.3V$, $V_{CI} = 2.5V$ to $3.3V$, $AGND = VSS = 0V$



6.6 Controller Information

IC: ILI9341

Please download IC specification at <http://www.orientdisplay.com/pdf/ILI9341.pdf>

7. OPTICAL CHARACTERISTICS

Item	Symbol	Condition	Specification			Unit	Remark
			Min.	Typ.	Max.		
Response time (By Quick)	Tr+Tf	$\theta = 0^\circ$	-	30	-	ms	Note 5
Contrast ratio	CR	$\theta = 0^\circ$	-	250	-		Note 2,6
Viewing angle	Top	$CR \geq 10$	-	60	-	deg.	Note 2,6,7
	Bottom	$CR \geq 10$	-	50	-		
	Left	$CR \geq 10$	-	60	-		
	Right	$CR \geq 10$	-	60	-		
CF Color chromaticity(CIE 1931)	Wx	$\theta = 0^\circ$	0.288	0.308	0.328		Note 3
	Wy		0.305	0.325	0.345		
	Rx		0.592	0.612	0.632		
	Ry		0.309	0.329	0.349		
	Gx		0.279	0.299	0.319		
	Gy		0.547	0.567	0.587		
	Bx		0.124	0.144	0.164		
	By		0.090	0.110	0.130		
NTSC				55%		Note 3	
Cross talk	ct				2%	Note 10	
Transmittance	Trans		4.5%	5.0%	-	Note 4	

Note 1: Ambient temperature = 25°C.

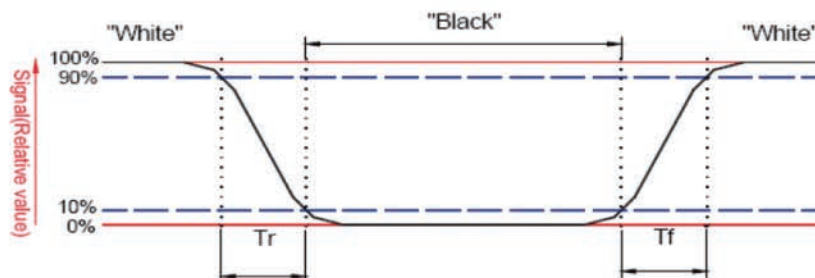
Note 2: To be measured with a viewing cone of 2° by Topcon luminance meter BM-5A.

Note 3: To be measured with Otsuta chromaticity meter LCF-2100M, CF only measure under C light simulation.

Note 4: CTC shipping status is cell without polarizer. Transmittance of Specification is cell with polarizer

Note 5: Definition of response time:

The output signals of TRD-100 are measured when the input signals are changed to "White" (falling time) and from "White" to "Black" (rising time), respectively. The interval is between the 10% and 90% of amplitudes. Refer to figure as below.

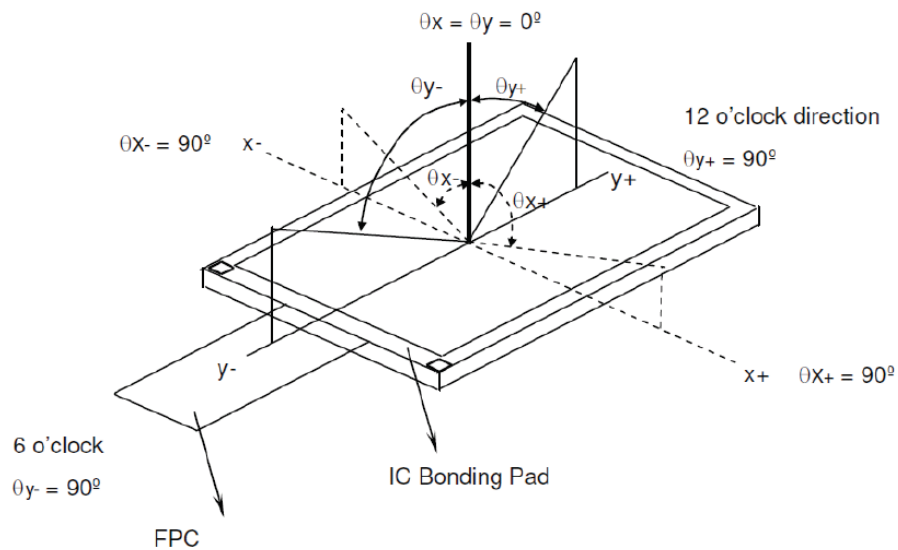


Note 6: Definition of contrast ratio:

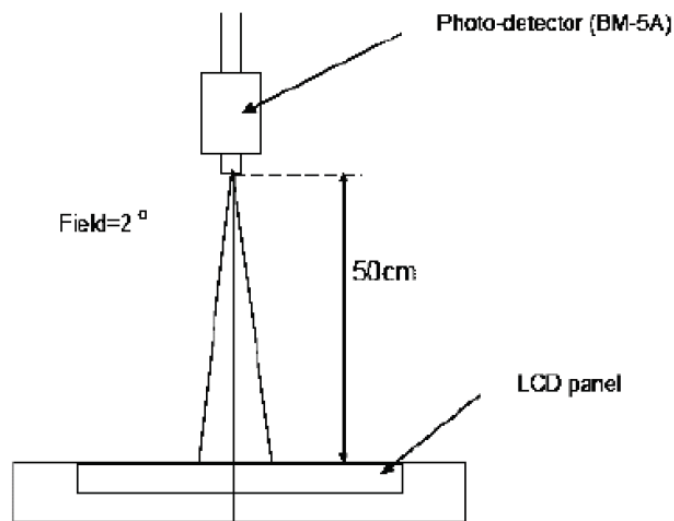
Contrast ratio is calculated by the following formula.

$$\text{Contrast ratio (CR)} = \frac{\text{Brightness on the "white" state}}{\text{Brightness on the "black" state}}$$

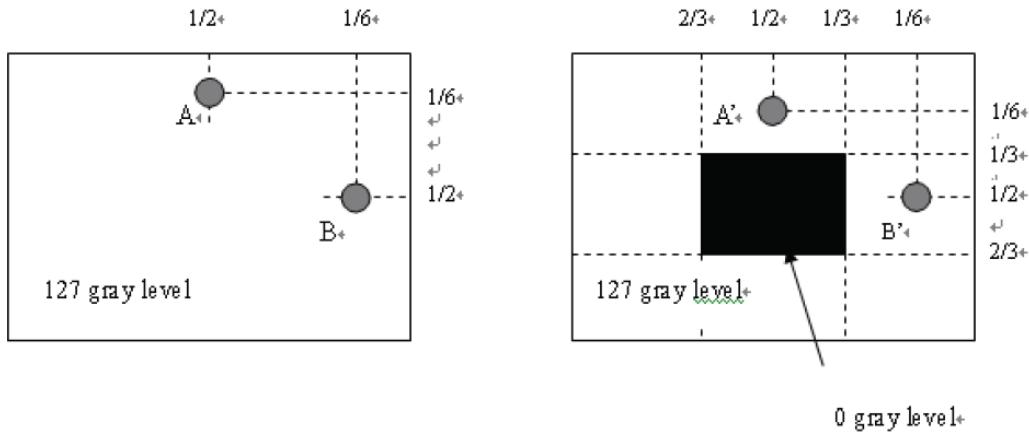
Note 7: Definition of viewing angle



Note 8: Optical characteristic measurement setup.



Note 9: Crosstalk.



$|LA - LA'| / LA \times 100\% = 2\% \text{ max.}$, LA and LA' are brightness at location A and A'

$|LB - LB'| / LB \times 100\% = 2\% \text{ max.}$, LB and LB' are brightness at location B and B'

8. RELIABILITY

Please download details at <http://www.orientdisplay.com/Reliability.html>

9. SPECIFICATION OF QUALITY ASSURANCE

Please download details at <http://www.orientdisplay.com/Delivery-TFT.html>

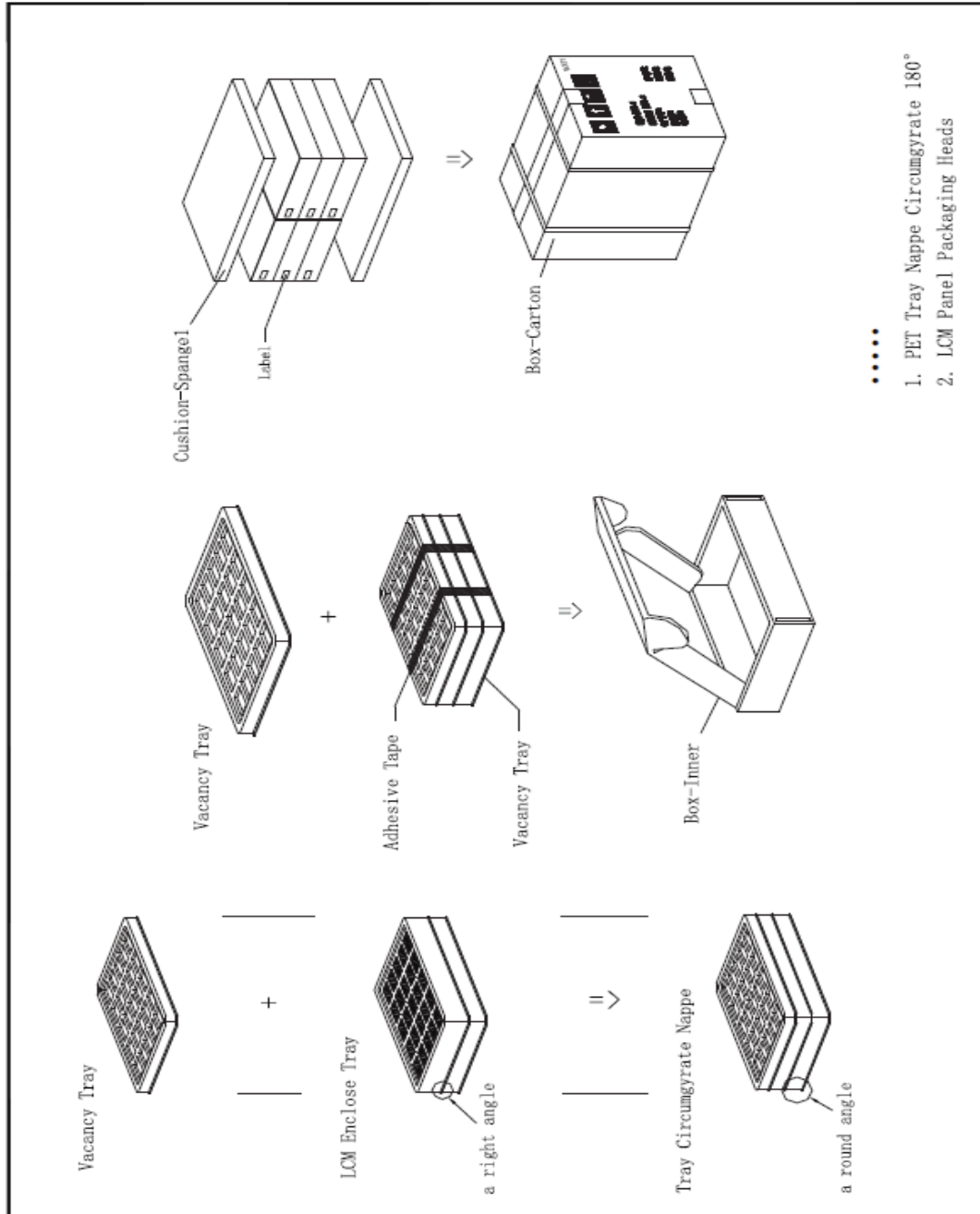
10. GENERAL PRECAUTIONS

Please download details at <http://www.orientdisplay.com/General-Precautions.html>

11. LIMITED WARRANTY

Please download details at <http://www.orientdisplay.com/Warranty.html>

12. PACKAGE



Orient Display Corporation reserves the right to change this specification.