

AG-12864C

•128x64 dots 1/64 Duty

FEATURE

1. Construction : STN/FSTN LCD, Bezel, Zebra and PCB.
2. Optional edge type LED or EL back-light, white edge-light LED available.
3. Controller : KS0108B
4. 5V single power input. Built-in DC/DC converter for LCD driving.
5. Normal / Extended temperature type.
6. Optional 3.3V input.

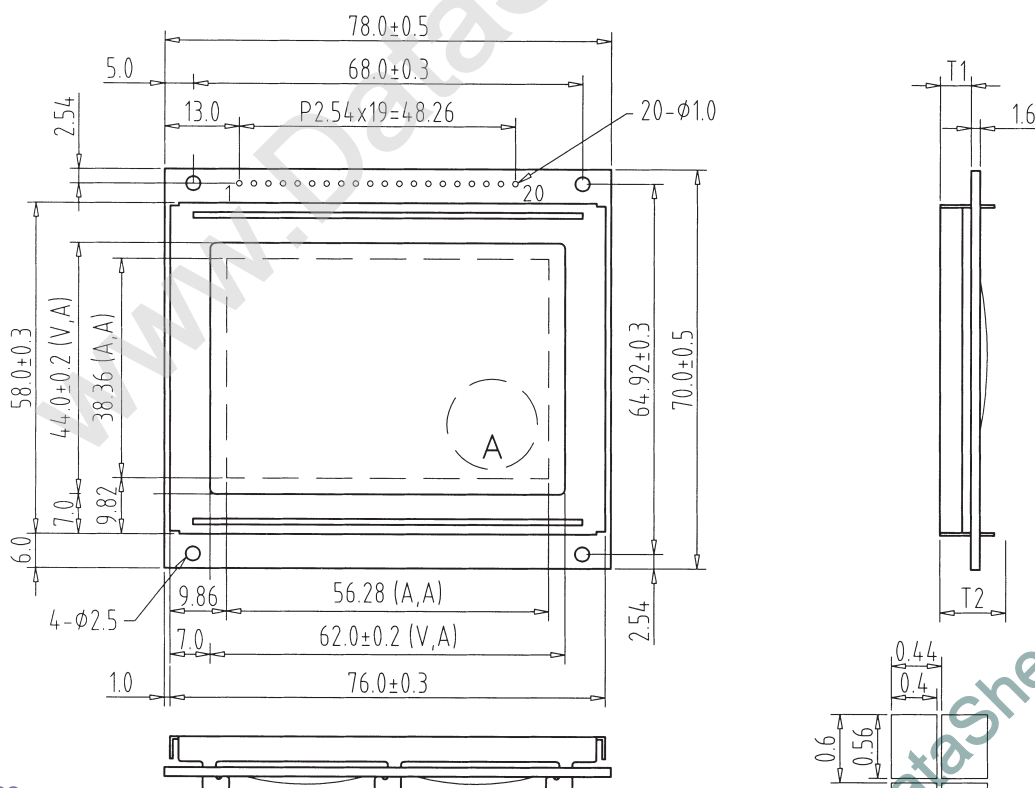
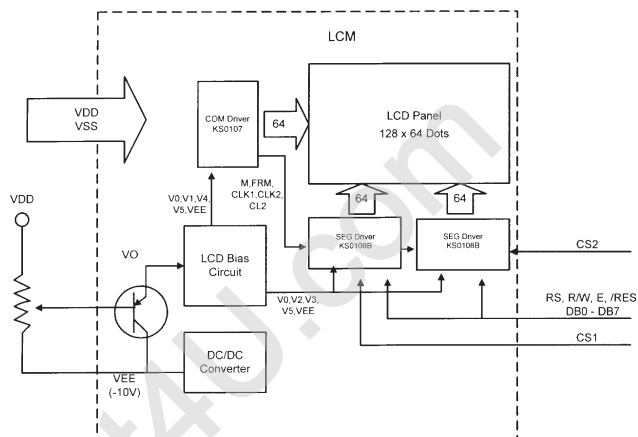
ELECTRICAL CHARACTERISTICS

Item	Symbol	Condition	Typ. Value	Unit.
LCD Driving Voltage	VDD-VO	25°C	9.2	V
Supply Current	IDD	VDD=5.0V	3.0	mA

INTERFACE

1	2	3	4	5	6	7	8	9	10
/CSA	/CSB	VSS	VDD	VO	D/I	R/W	E	DB0	DB1
11	12	13	14	15	16	17	18	19	20
DB2	DB3	DB4	DB5	DB6	DB7	/RST	VEE	A/EL1	K/EL2

BLOCK DIAGRAM & POWER SUPPLY



THICKNESS:

VERSION	T1	T2
EL & NO BACKLIGHT	5.4 ± 0.3	10.5Max
LED BACKLIGHT	7.8 ± 0.3	13.0Max

A BLOCK