

# AG-12864D

•128x64 dots 1/64 Duty

## FEATURE

- 1.Construction : STN/FSTN LCD, Bezel, Zebra and PCB.
- 2.Optional edge type LED or EL back-light, white edge-light LED available.
- 3.Controller : T6963C
- 4.5V single power input. Built-in DC/DC converter for LCD driving.
- 5.Normal / Extended temperature type.

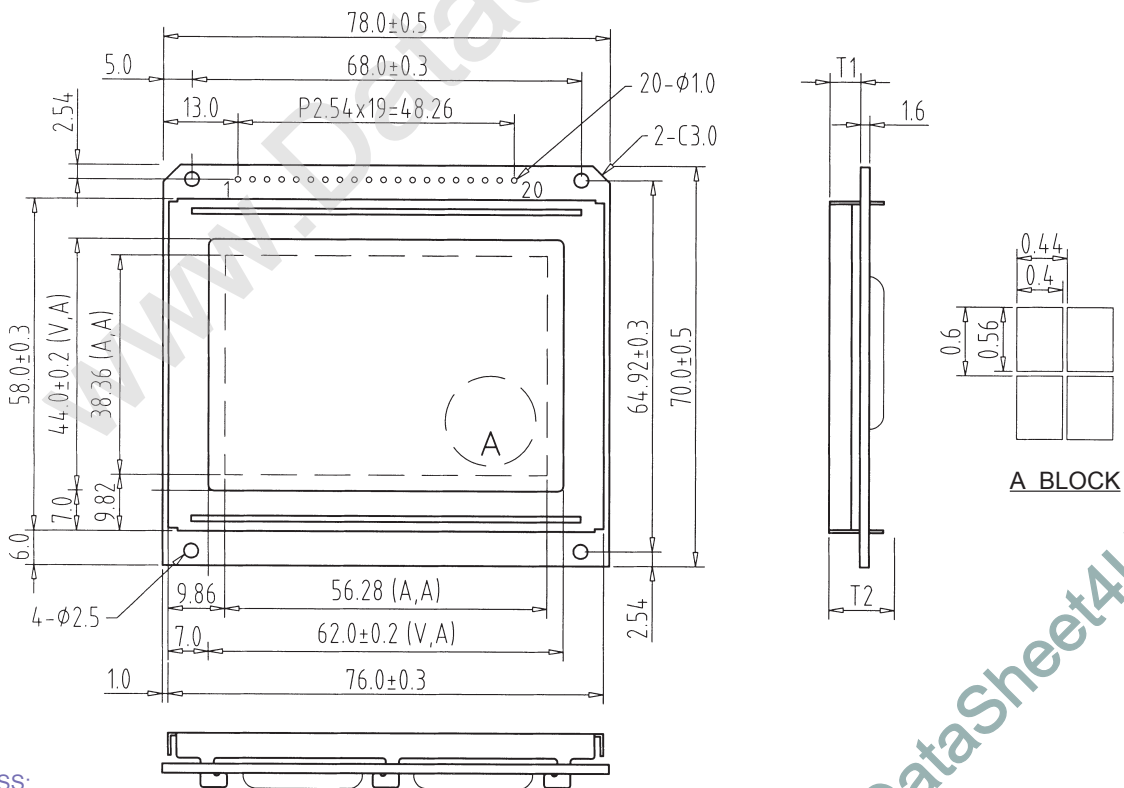
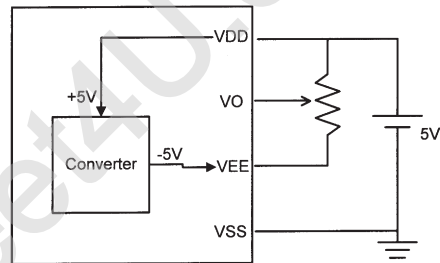
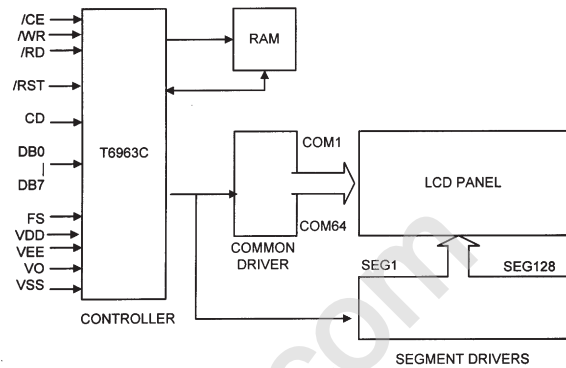
## ELECTRICAL CHARACTERISTICS

| Item                | Symbol | Condition | Typ.Value | Unit. |
|---------------------|--------|-----------|-----------|-------|
| LCD Driving Voltage | VDD-VO | 25°C      | 9.2       | V     |
| Supply Current      | IDD    | VDD=5.0V  | 3.0       | mA    |

## INTERFACE

| 1   | 2   | 3   | 4   | 5   | 6   | 7   | 8   | 9     | 10    |
|-----|-----|-----|-----|-----|-----|-----|-----|-------|-------|
| VEE | VSS | VDD | VO  | /WR | /RD | /CE | C/D | /RST  | DB0   |
| 11  | 12  | 13  | 14  | 15  | 16  | 17  | 18  | 19    | 20    |
| DB1 | DB2 | DB3 | DB4 | DB5 | DB6 | DB7 | FS  | A/EL1 | K/EL2 |

## BLOCK DIAGRAM & POWER SUPPLY



THICKNESS:

| VERSION           | T1        | T2      |
|-------------------|-----------|---------|
| EL & NO BACKLIGHT | 5.4 ± 0.3 | 10.5Max |
| LED BACKLIGHT     | 7.8 ± 0.3 | 13.0Max |