

AG-128128A

•128x128 dots 1/128 Duty

FEATURE

- 1.Construction : STN/FSTN LCD, Bezel, Heat Seal, Zebra and PCB.
- 2.Optional LED or EL back-light.
- 3.Controller : LC7981.
- 4.Besides +5V for logic circuit, -10V is needed for LCD driving.
(Optional DC/DC Converter)
- 5.Normal / Extended temperature type.

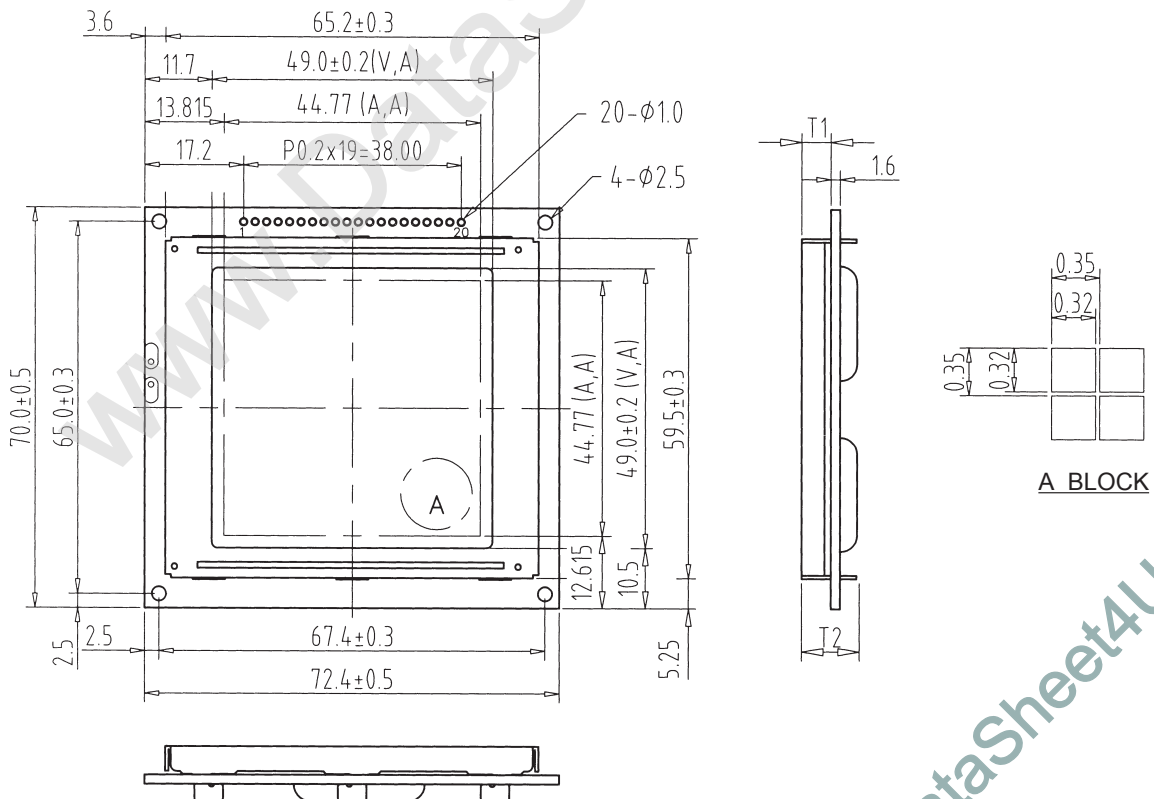
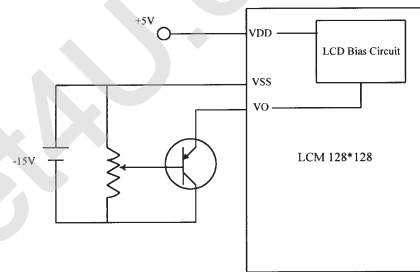
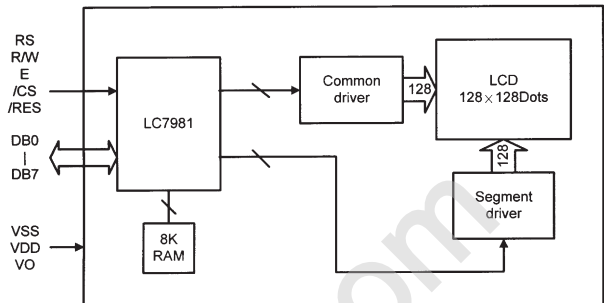
ELECTRICAL CHARACTERISTICS

Item	Symbol	Condition	Typ.Value	Unit.
LCD Driving Voltage	VDD-VO	25°C	17.6	V
Supply Current	IDD	VDD=5.0V	5.0	mA

INTERFACE

1	2	3	4	5	6	7	8	9	10
DB0	DB1	DB2	DB3	DB4	DB5	DB6	DB7	RS	R/W
11	12	13	14	15	16	17	18	19	20
E	/CS	/RES	VO	VDD	VSS	NC	NC	A/EL1	K/EL2

BLOCK DIAGRAM & POWER SUPPLY



THICKNESS:

VERSION	T1	T2
EL & NO BACKLIGHT	5.0 ± 0.3	10.0Max
LED BACKLIGHT	10.0 ± 0.3	15.0Max