

# AG-16080A

•160x80 dots 1/80 Duty

## FEATURE

- 1.Construction : STN/FSTN LCD, Bezel, Heat Seal, Zebra and PCB
- 2.Optional LED or EL back-light.
- 3.Controller : T6963C.
- 4.5V single power input. Built-in DC/DC converter for LCD driving.
- 5.Normal temperature type.

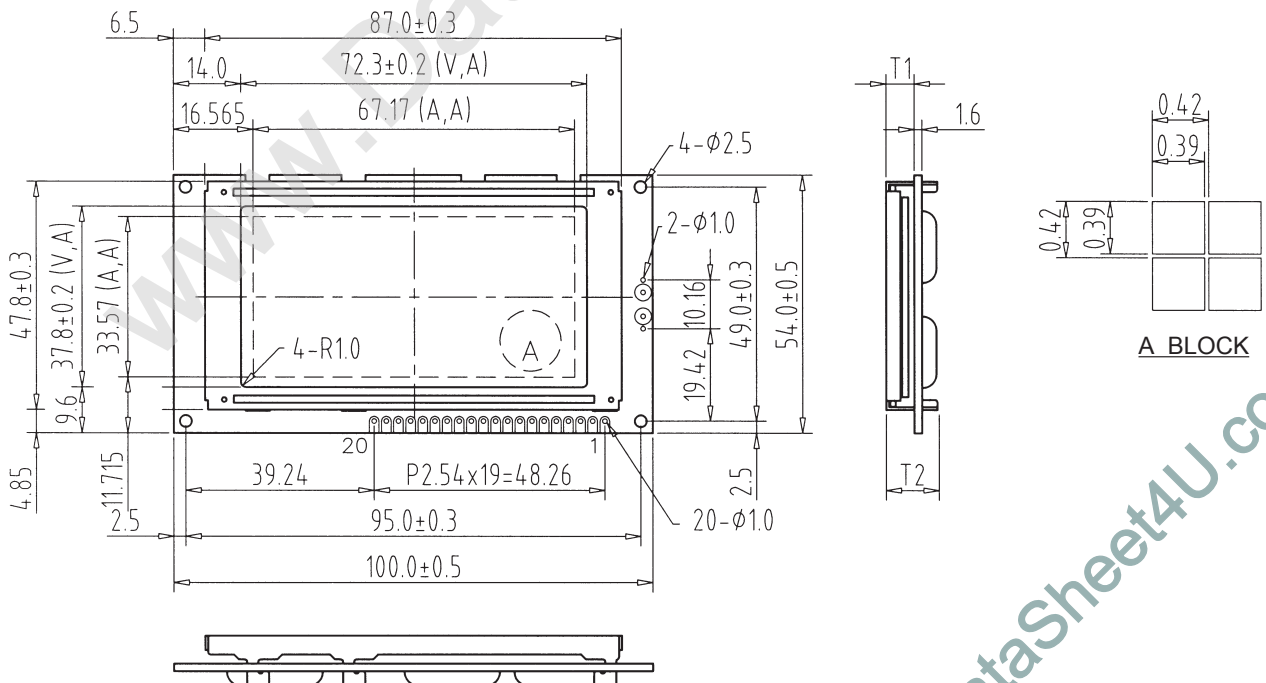
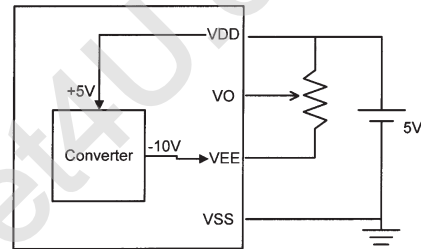
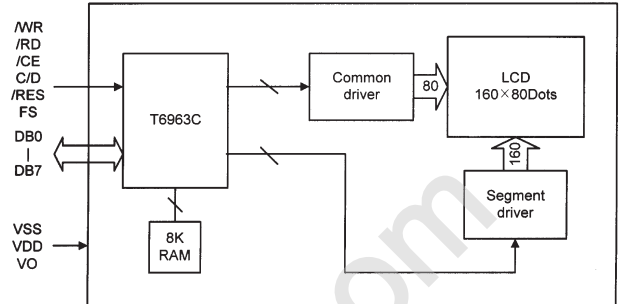
## ELECTRICAL CHARACTERISTICS

Item	Symbol	Condition	Typ.Value	Unit.
LCD Driving Voltage	VDD-VO	25°C	12	V
Supply Current	IDD	VDD=5.0V	15	mA

## INTERFACE

1	2	3	4	5	6	7	8	9	10
VEE	VSS	VDD	VO	/MR	/RD	/CE	C/D	/RST	DB0
11	12	13	14	15	16	17	18	19	20
DB1	DB2	DB3	DB4	DB5	DB6	DB7	FS	A/EL1	K/EL2

## BLOCK DIAGRAM & POWER SUPPLY



THICKNESS:

VERSION	T1	T2
EL & NO BACKLIGHT	5.9 ± 0.3	11.3Max
LED BACKLIGHT	10.0 ± 0.3	15.3Max