

# AG-24064A

•240x64 dots 1/64 Duty

## FEATURE

1. Construction : STN/FSTN LCD, Bezel, Zebra and PCB.
2. Optional LED, EL or CCFL back-light, white edge-light LED available.
3. Controller : LC7981.
4. 5V single power input. Built-in DC/DC converter for LCD driving.
5. Normal / Extended temperature type.

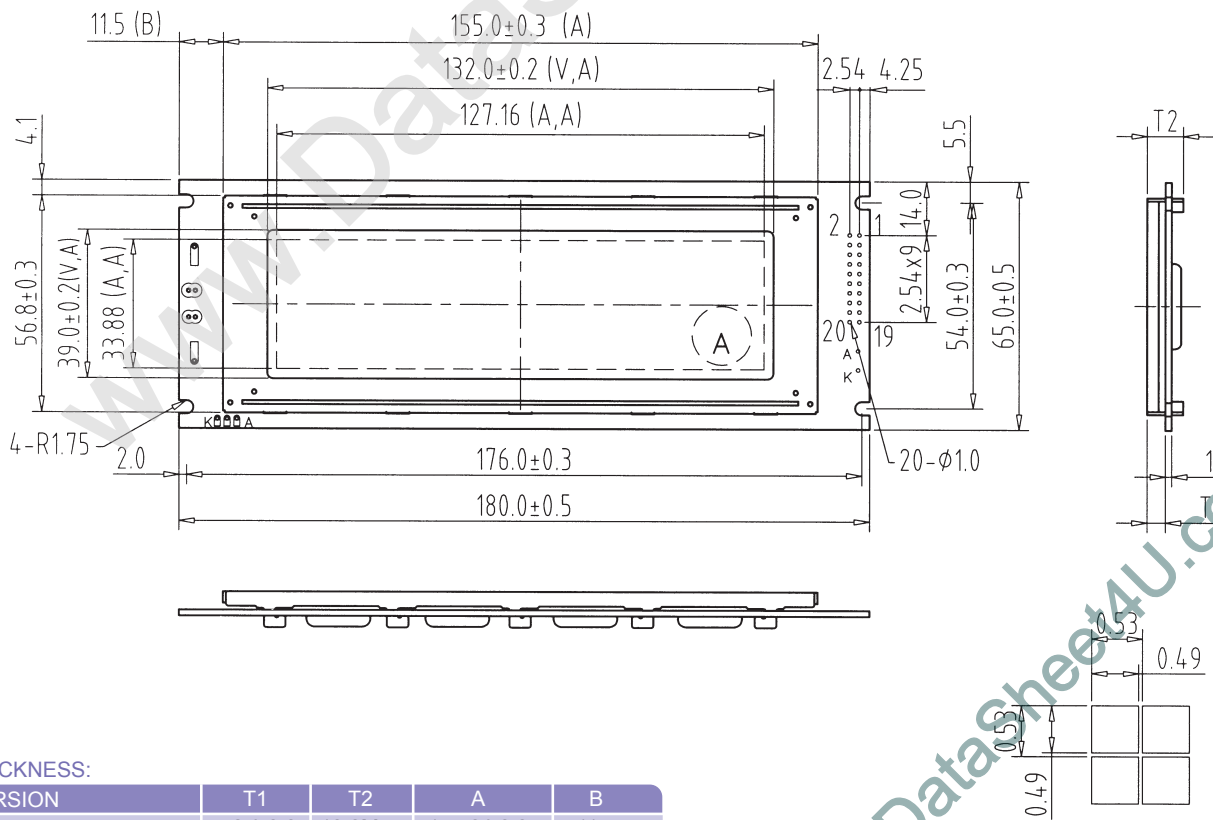
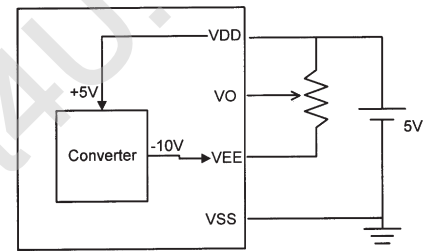
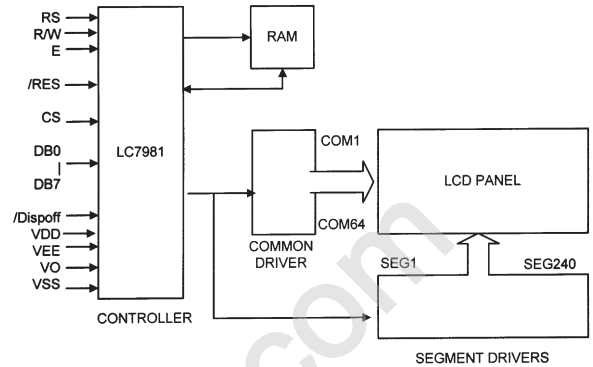
## ELECTRICAL CHARACTERISTICS

Item	Symbol	Condition	Typ. Value	Unit.
LCD Driving Voltage	VDD-VO	25°C	9.2	V
Supply Current	IDD	VDD=5.0V	8.0	mA

## INTERFACE

1	2	3	4	5	6	7	8	9	10
VSS	VDD	VO	RS	R/W	E	DB0	DB1	DB2	DB3
11	12	13	14	15	16	17	18	19	20
DB4	DB5	DB6	DB7	/CS	/RES	VEE	/DISPOFF	A/EL1	K/EL2

## BLOCK DIAGRAM & POWER SUPPLY



THICKNESS:

VERSION	T1	T2	A	B
EL & NO BACKLIGHT	4.8±0.3	10.0Max	155.0±0.3	11.5
LED BACKLIGHT	11.0±0.3	16.0Max	155.0±0.3	11.5
CCFL BACKLIGHT	15.0±0.3	20.0Max	164.0±0.3	7.0

A BLOCK