

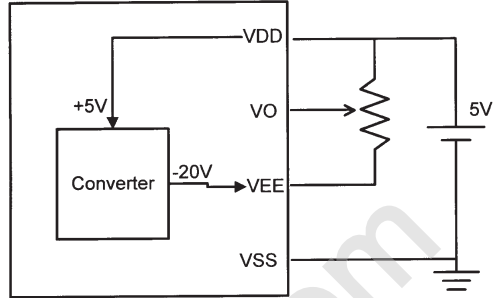
# AG-240128C

•240x128 dots 1/128 Duty

## FEATURE

- 1.Construction : STN/FSTN LCD, Bezel, Heat Seal, Zebra and PCB.
- 2.Optional LED or EL back-light.
- 3.Built-in Controller / Pure Driver.
- 4.5V single power input. Built-in DC/DC converter for LCD driving.
- 5.Normal / Extended temperature type.

## POWER SUPPLY



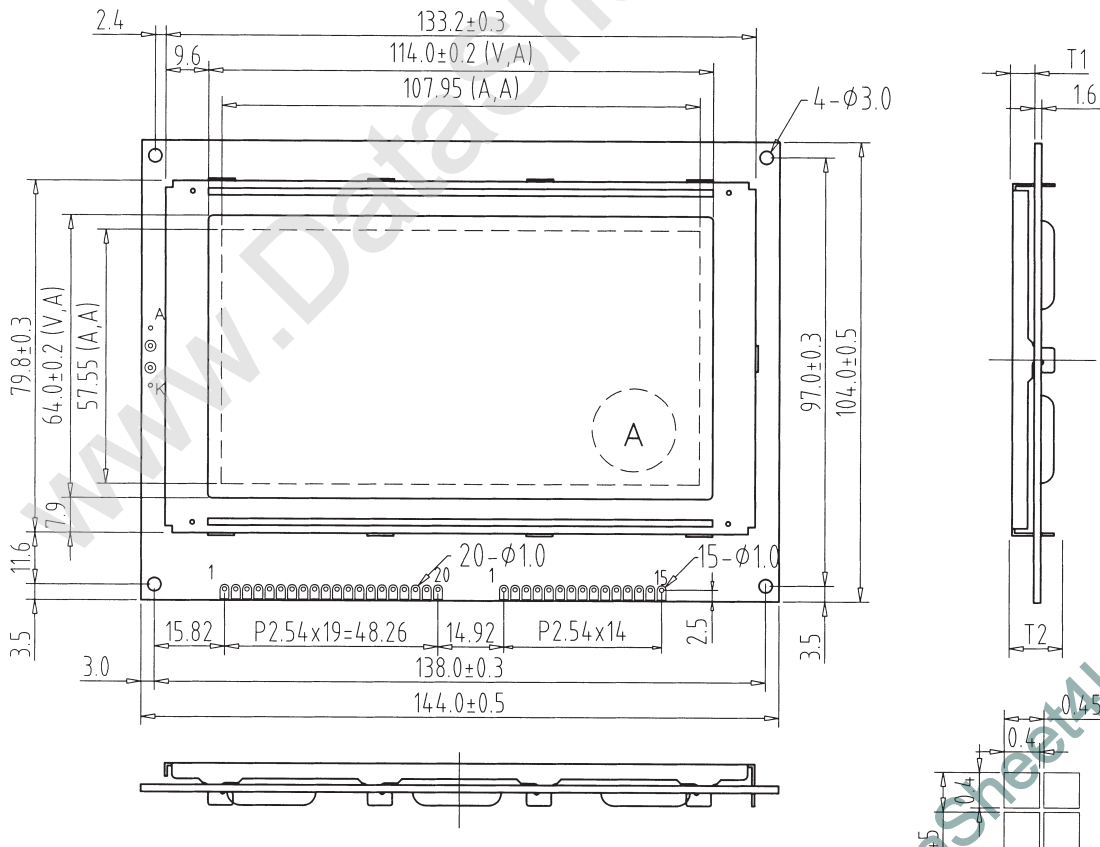
## ELECTRICAL CHARACTERISTICS

Item	Symbol	Condition	Typ.Value	Unit.
LCD Driving Voltage	VDD-VO	25°C	18.9	V
Supply Current (Controller)	IDD	VDD=5.0V	25	mA
Supply Current (Driver)	IDD	VDD=5.0V	15	mA

## BUILT-IN CONTROLLER

## PURE DRIVER

1	2	3	4	5	6	7	8	9	10	1	2	3	4	5	6	7	8	9	10
VEE	VSS	VDD	VO	/WR	/RD	/CE	C/D	/RES	DB0	FLM	CP	LP	M	VDD	VSS	VEE	DO	D1	D2
11	12	13	14	15	16	17	18	19	20	11	12	13	14	15					
DB1	DB2	DB3	DB4	DB5	DB6	DB7	FS	A/EL1	K/EL2	D3	VO	/DISPOFF	A/EL1	K/EL2					



THICKNESS:

VERSION	T1	T2
EL & NO BACKLIGHT	5.5 ± 0.3	12.0Max
LED BACKLIGHT	9.0 ± 0.3	15.0Max

A BLOCK