

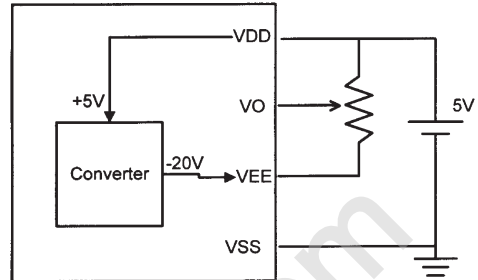
AG-240128G

•240x128 dots 1/128 Duty

FEATURE

1. Construction : STN/FSTN LCD, Bezel, Heat Seal, Zebra and PCB.
2. Optional LED/EL/CCFL back-light, white edge-light LED available.
3. Built-in Controller/Pure Driver.
4. 5V single power input. Built-in DC/DC converter for LCD driving.
5. Normal / Extended temperature type.

POWER SUPPLY



ELECTRICAL CHARACTERISTICS

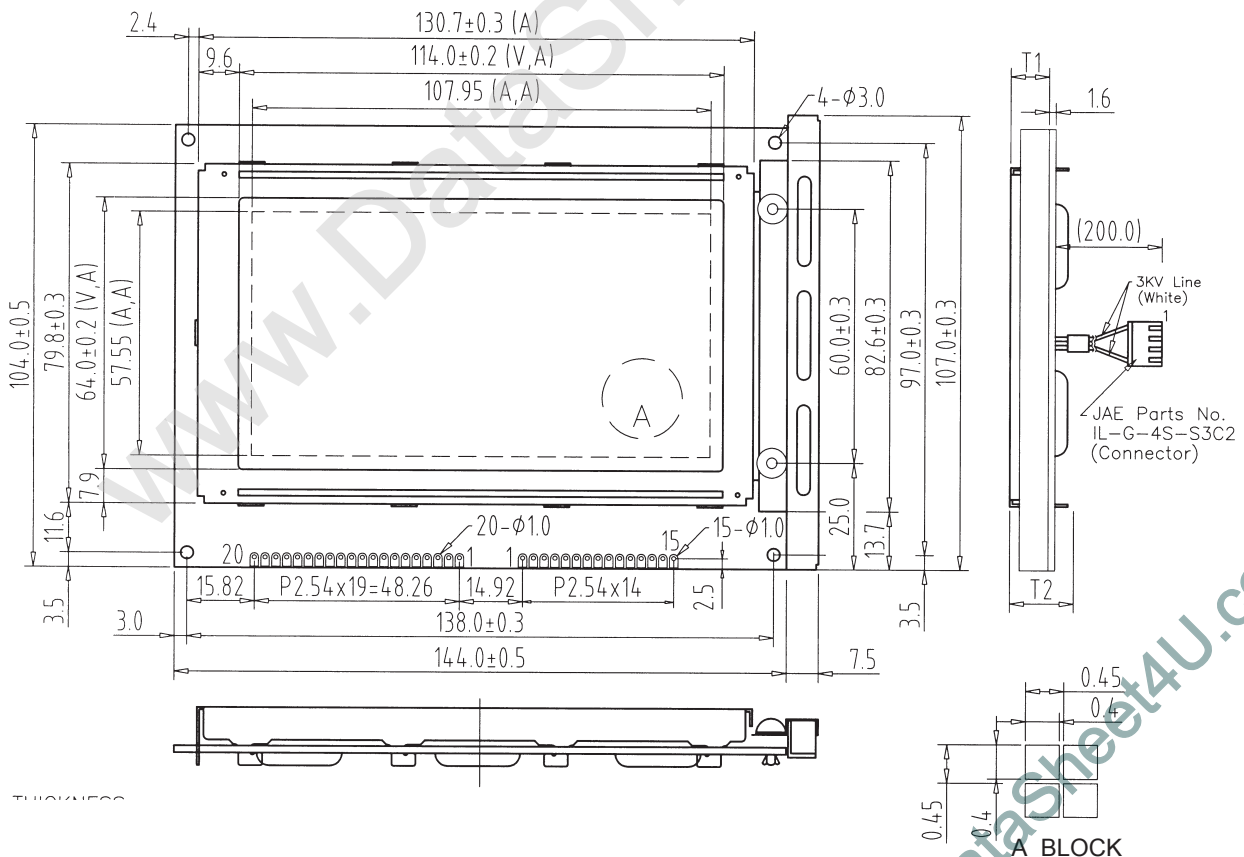
| Item | Symbol | Condition | Typ. Value | Unit. |
|-----------------------------|--------|-----------|------------|-------|
| LCD Driving Voltage | VDD-VO | 25°C | 18.9 | V |
| Supply Current (Controller) | IDD | VDD=5.0V | 25 | mA |
| Supply Current (Driver) | IDD | VDD=5.0V | 15 | mA |

BUILT-IN CONTROLLER

| 1 | 2 | 3 | 4 | 5 | 6 | 7 | 8 | 9 | 10 |
|-----|-----|-----|-----|-----|------|-----|-----|-----|-----|
| VSS | VDD | VO | C/D | /RD | /WR | DB0 | DB1 | DB2 | DB3 |
| 11 | 12 | 13 | 14 | 15 | 16 | 17 | 18 | 19 | 20 |
| DB4 | DB5 | DB6 | DB7 | /CE | /RES | VEE | MD2 | FS | NC |

PURE DRIVER

| 1 | 2 | 3 | 4 | 5 | 6 | 7 | 8 | 9 | 10 |
|-----|----|----------|-------|-------|-----|-----|----|----|----|
| FLM | CP | LP | M | VDD | VSS | VEE | DO | D1 | D2 |
| 11 | 12 | 13 | 14 | 15 | | | | | |
| D3 | VO | /DISPOFF | A/EL1 | K/EL2 | | | | | |



THICKNESS:

| VERSION | T1 | T2 | A |
|--------------------|-----------|---------|-------------|
| EL & NO BACKLIGHT | 5.5 ± 0.3 | 12.0Max | 133.2 ± 0.3 |
| LED,CCFL BACKLIGHT | 9.0 ± 0.3 | 15.0Max | 130.7 ± 0.3 |