

• General Description

The AGM1099S combines advanced trench MOSFET technology with a low resistance package to provide extremely low $R_{DS(ON)}$.

This device is ideal for load switch and battery protection applications.

• Features

- Advance high cell density Trench technology
- Low $R_{DS(ON)}$ to minimize conductive loss
- Low Gate Charge for fast switching
- Low Thermal resistance

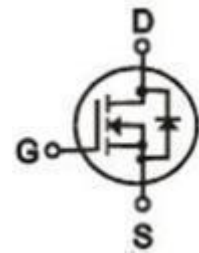
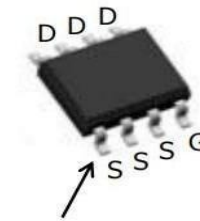
• Application

- MB/VGA Vcore
- SMPS 2nd Synchronous Rectifier
- POL application
- BLDC Motor driver

Product Summary

BVDSS	RDS(ON)	ID
100V	100mΩ	7.0A

SOP8 Pin Configuration



Package Marking and Ordering Information

Device Marking	Device	Device Package	Reel Size	Tape width	Quantity
AGM1099S	AGM1099S	SOP8	----	----	3000

Table 1. Absolute Maximum Ratings (TA=25°C)

Symbol	Parameter	Value	Unit
VDS	Drain-Source Voltage (VGS=0V)	100	V
VGS	Gate-Source Voltage (VDS=0V)	±20	V
ID	Drain Current-Continuous(Ta=25°C) (Note 1)	7.0	A
	Drain Current-Continuous(Ta=100°C)	4.5	A
IDM (pluse)	Drain Current-Continuous@ Current-Pulsed (Note 2)	23	A
PD	Maximum Power Dissipation(Ta=25°C)	3.1	w
	Maximum Power Dissipation(Ta=100°C)	1.25	w
EAS	Avalanche energy (Note 3)	--	mJ
TJ,TSTG	Operating Junction and Storage Temperature Range	-55 To 150	°C

Table 2. Thermal Characteristic

Symbol	Parameter	Typ	Max	Unit
RθJA	Thermal Resistance Junction-ambient (Steady State) ¹	---	40	°C/W
RθJC	Thermal Resistance Junction-Case ¹	---	--	°C/W

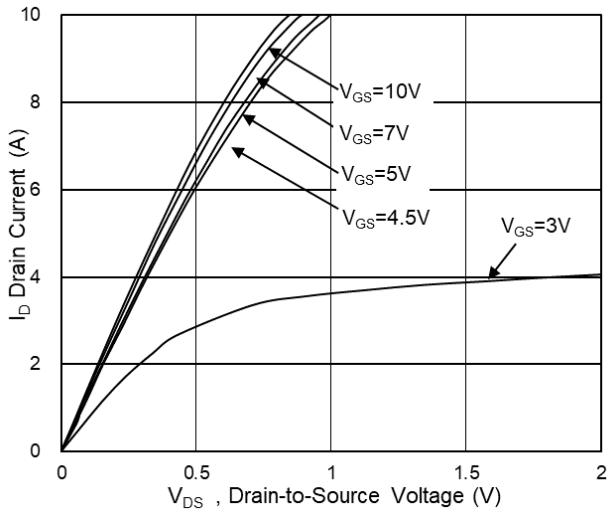
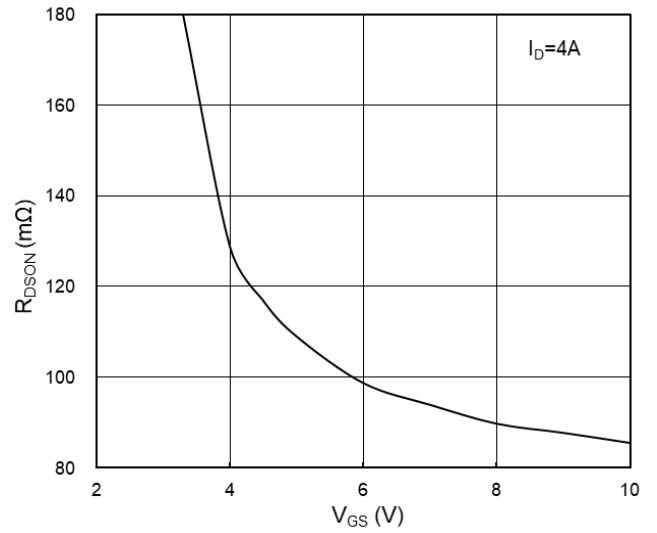
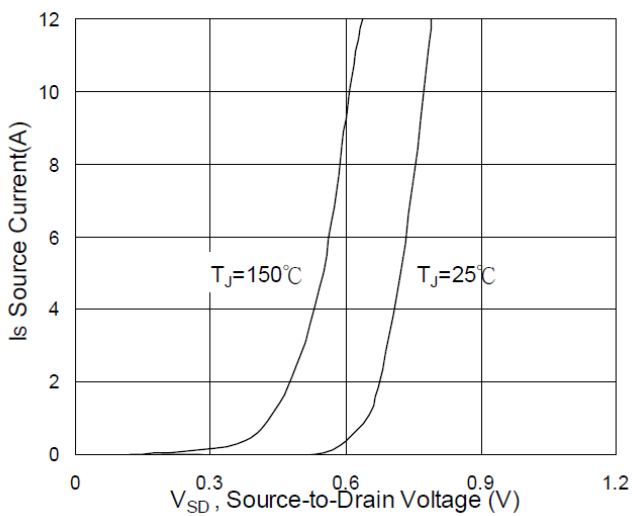
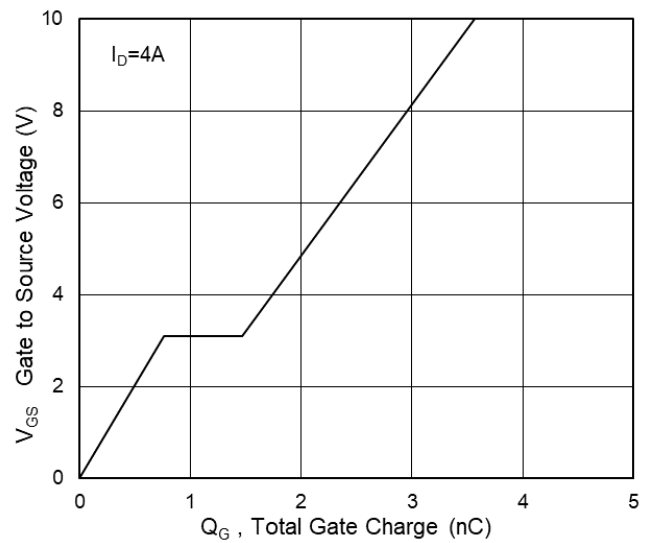
Table 3. Electrical Characteristics (TA=25°C unless otherwise noted)

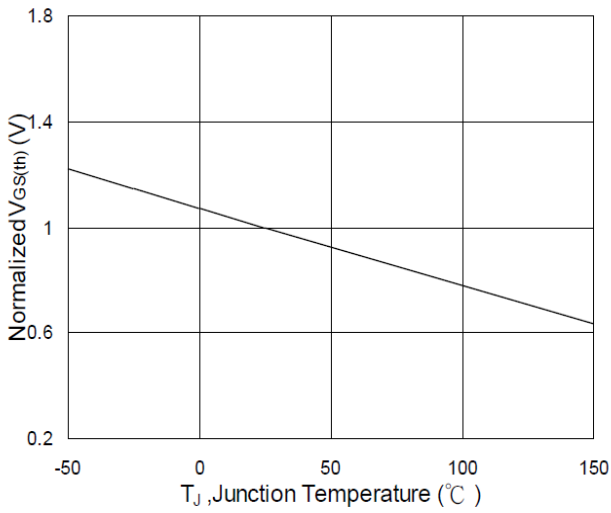
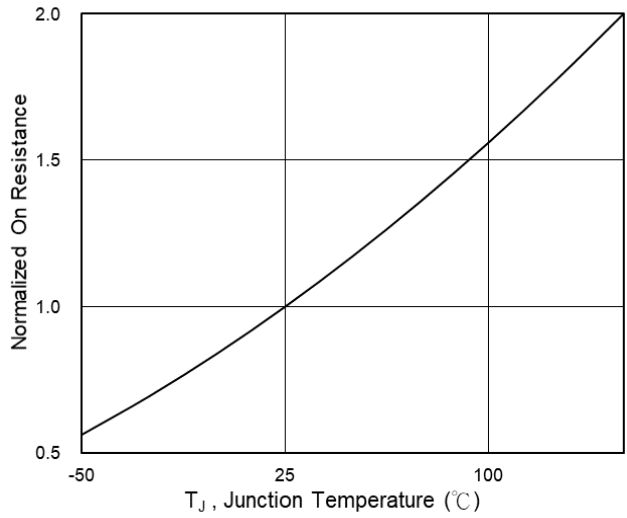
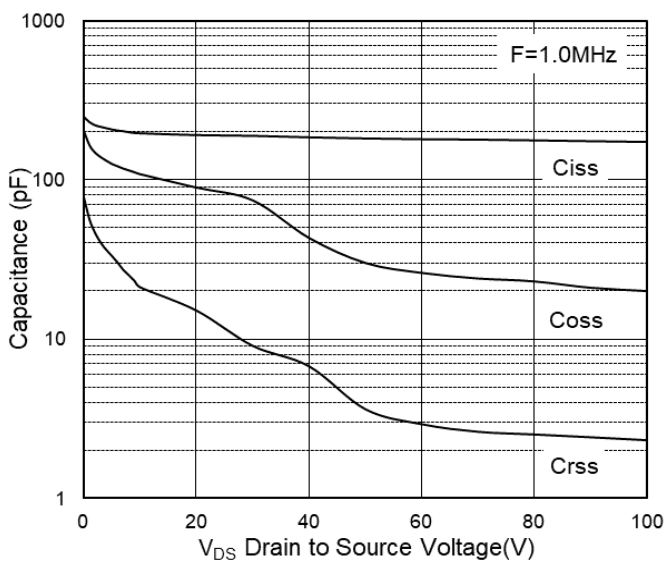
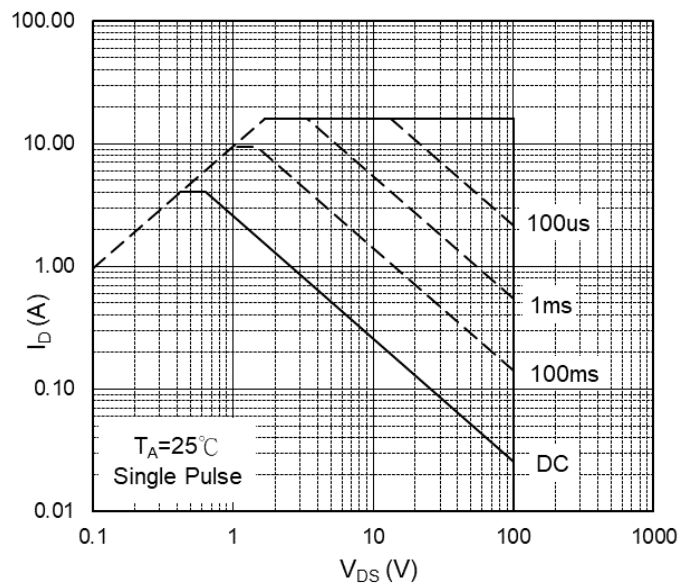
Symbol	Parameter	Conditions	Min	Typ	Max	Unit
On/Off States						
BVDSS	Drain-Source Breakdown Voltage	VGS=0V ID=250μA	100	--	--	V
IDSS	Zero Gate Voltage Drain Current	VDS=100V, VGS=0V	--	--	1	μA
IGSS	Gate-Body Leakage Current	VGS=±20V, VDS=0V	--	--	±100	nA
VGS(th)	Gate Threshold Voltage	VDS=VGS, ID=250μA	1.3	1.8	2.4	V
gFS	Forward Transconductance	VDS=10V, ID=5A	--	--	--	S
RDS(on)	Drain-Source On-State Resistance	VGS=10V, ID=4A	--	100	120	mΩ
		VGS=4.5V, ID=3A	--	120	145	mΩ
Dynamic Characteristics						
Ciss	Input Capacitance	VDS=50V, VGS=0V, F=1MHZ	--	182	--	pF
Coss	Output Capacitance		--	30	--	pF
Crss	Reverse Transfer Capacitance		--	3.6	--	pF
Rg	Gate resistance	VGS=0V, VDS=0V, f=1.0MHz	--	2.5	--	Ω
Switching Times						
td(on)	Turn-on Delay Time	VGS=10V, VDS=50V, ID=5A, RGEN=5Ω	--	11	--	nS
tr	Turn-on Rise Time		--	6.0	--	nS
td(off)	Turn-Off Delay Time		--	30	--	nS
tf	Turn-Off Fall Time		--	4.0	--	nS
Qg	Total Gate Charge	VGS=10V, VDS=50V, ID=5A	--	3.57	--	nC
Qgs	Gate-Source Charge		--	0.76	--	nC
Qgd	Gate-Drain Charge		--	0.71	--	nC
Source-Drain Diode Characteristics						
ISD	Source-Drain Current(Body Diode)		--	--	7.0	A
VSD	Forward on Voltage	VGS=0V, IS=5A	--	--	1.2	V
trr	Reverse Recovery Time	IF=5A , dI/dt=100A/μs , TJ=25°C	--	50	--	ns
Qrr	Reverse Recovery Charge		--	102	--	nc

Notes 1.The maximum current rating is package limited.

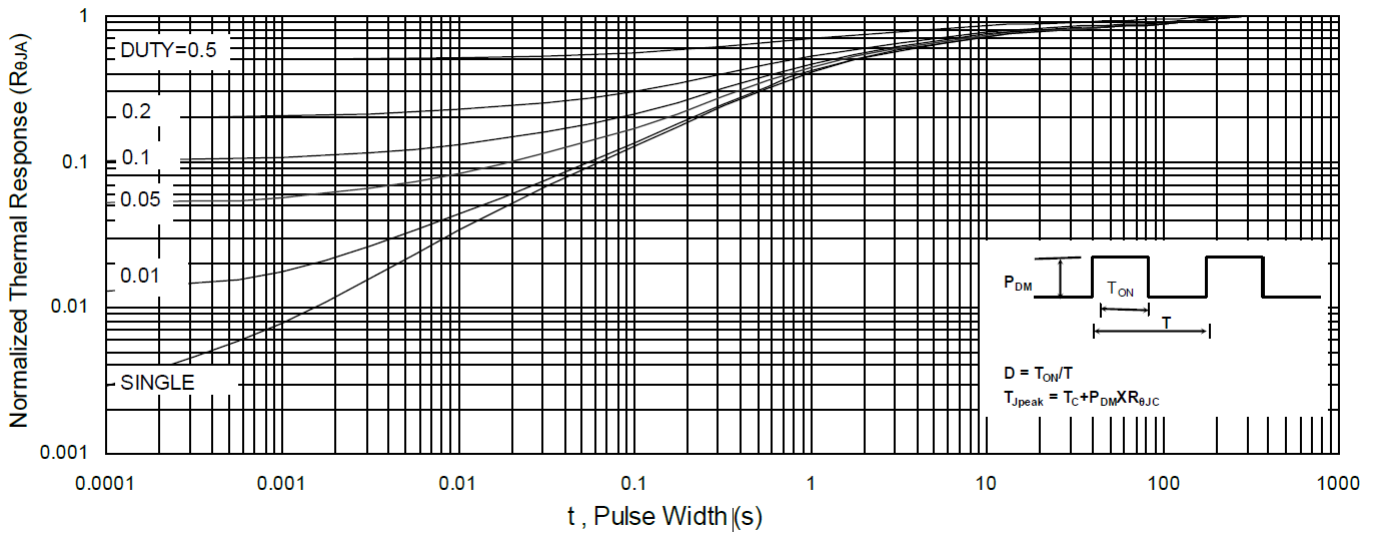
Notes 2.Repetitive Rating: Pulse width limited by maximum junction temperature

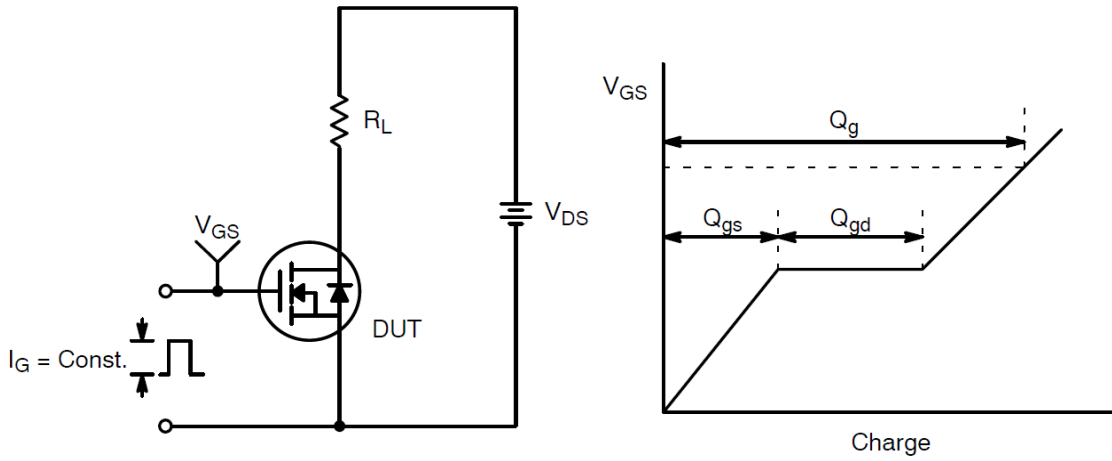
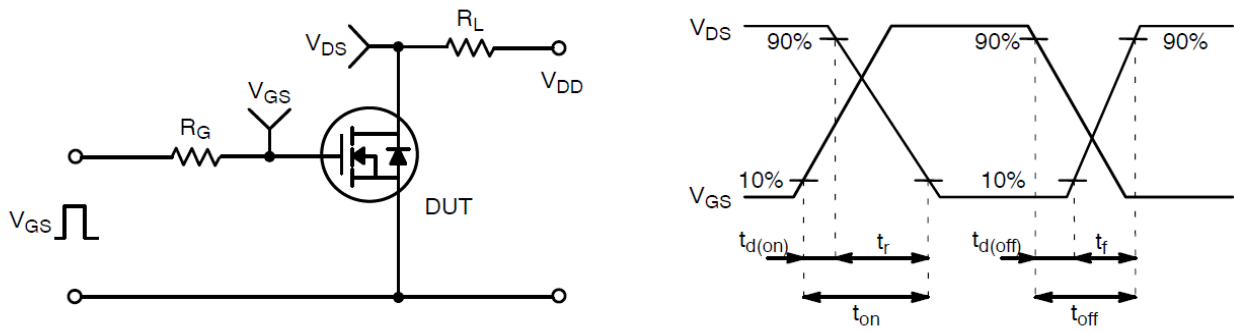
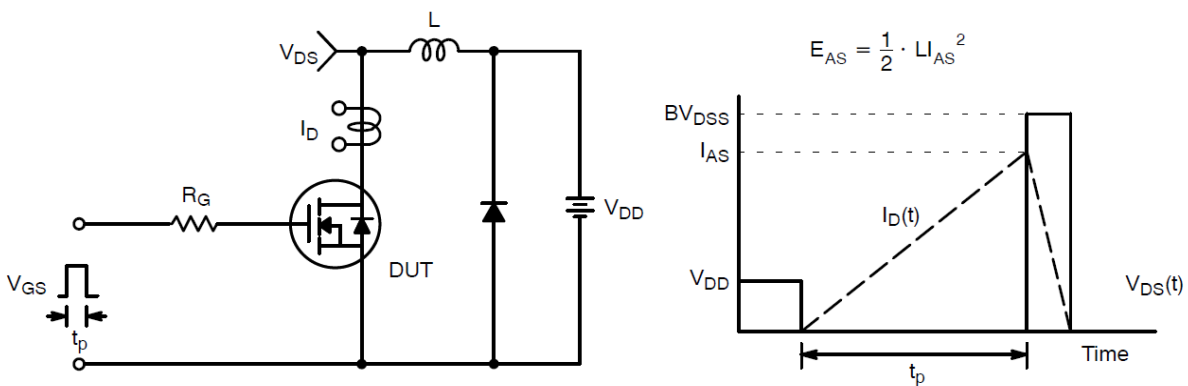
Notes 3.EAS condition: TJ=25°C

Characteristics Curve:
Typ. Output Characteristics

On-Resistance vs G-S Voltage

Source Drain Forward Characteristics

Gate-Charge Characteristics


Normalized $V_{GS(th)}$ vs T_J

Normalized $R_{DS(on)}$ vs T_J

Capacitance

Safe Operating Area


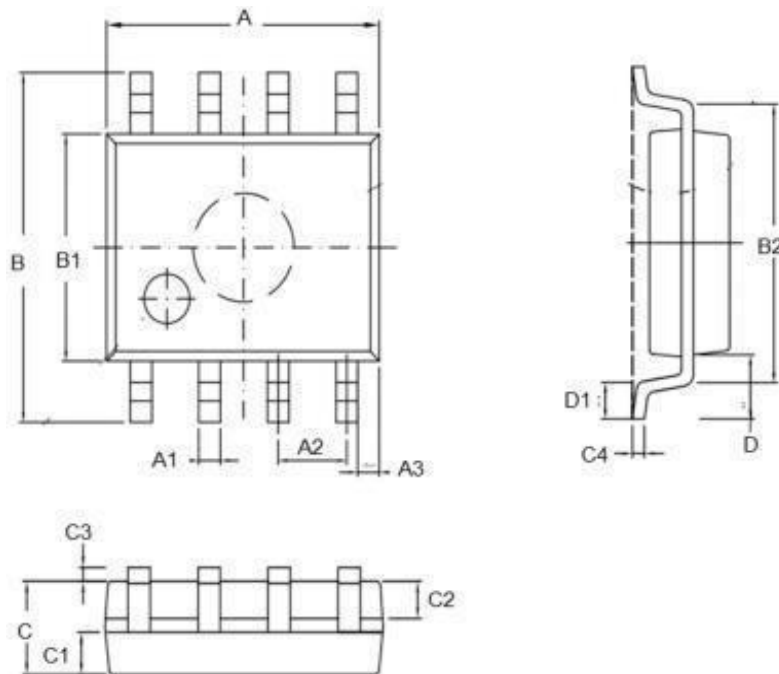
Max. transient thermal impedance



Test Circuit and Waveform:

Gate Charge Test Circuit & Waveform

Resistive Switching Test Circuit & Waveforms

Unclamped Inductive Switching Test Circuit & Waveforms

•Dimensions(SOP8)

SYMBOL	min	TYP	max	SYMBOL	min		max
A	4.80		5.00	C	1.30		1.50
A1	0.37		0.47	C1	0.55		0.75
A2		1.27		C2	0.55		0.65
A3		0.41		C3	0.05		0.20
B	5.80		6.20	C4	0.19	0.20	0.23
B1	3.80		4.00	D		1.05	
B2		5.00		D1	0.40		0.62




Disclaimer:

The information provided in this document is believed to be accurate and reliable. however, Shenzhen Core Control Electronics Technology Co., Ltd. does not assume any responsibility for the following consequences Do not consider the use of such information or use beyond its scope.

The information mentioned in this document may be changed at any time without notice.

The products and information provided in this document do not infringe patents. Shenzhen Core Control Electronics Technology Co., Ltd. assumes no responsibility for any infringement of any other rights of third parties. The result of using such products and information.

This document is the second version issued on August 10, 2022. This document replaces and Replace all previously provided information.

 It is a registered trademark of Shenzhen Core Control Electronics Technology Co., Ltd.

Copyright © 2017 Shenzhen Core Control Electronics Technology Co., Ltd. all rights reserved.