

## Hall-Effect Smart Fan Motor Controller

### ■ Features

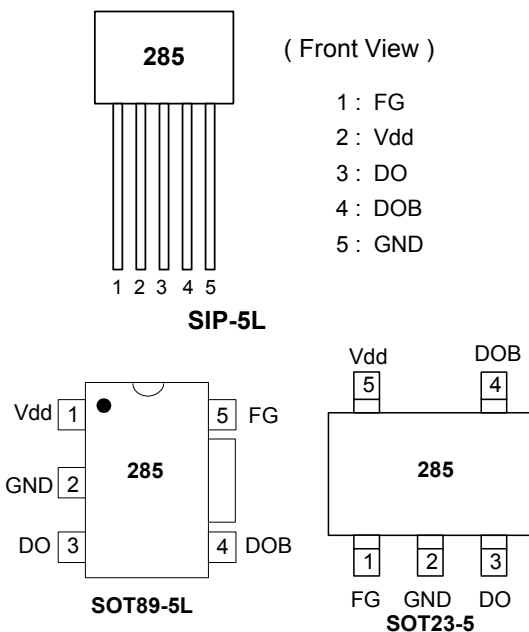
- On chip Hall sensor
- Rotor-locked shutdown
- Automatically restart
- Frequency generator (FG) output
- Built-in Zener protection for output driver
- Operating voltage: 3.8V~20V
- Output current:  $I_{O(AVE)} = 500\text{mA}$  for SIP-5/SOT89-5
- Output current:  $I_{O(AVE)} = 400\text{mA}$  for SOT23-5
- Package: SIP-5L, SOT23-5L, SOT89-5L

### ■ General Description

AH285 is a monolithic fan motor controller with Hall sensor's capability. It contains two complementary open-drain transistors as motor coil drivers, automatic lock current shutdown, and recovery protections. Additional, frequency generator (FG) output is for speed detection relatively.

To avoid coil burning, rotor-lock shutdown detection circuit shut down the output driver if the rotor is blocked and then the automatic recovery circuit will try to restart the motor. This function repeats while the rotor is blocked. Until the blocking is removed, the motor recovers running normally.

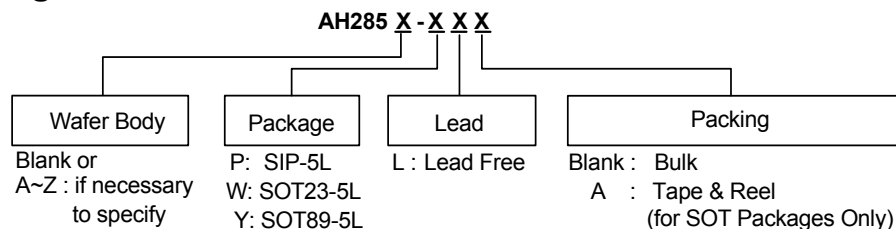
### ■ Pin Configuration



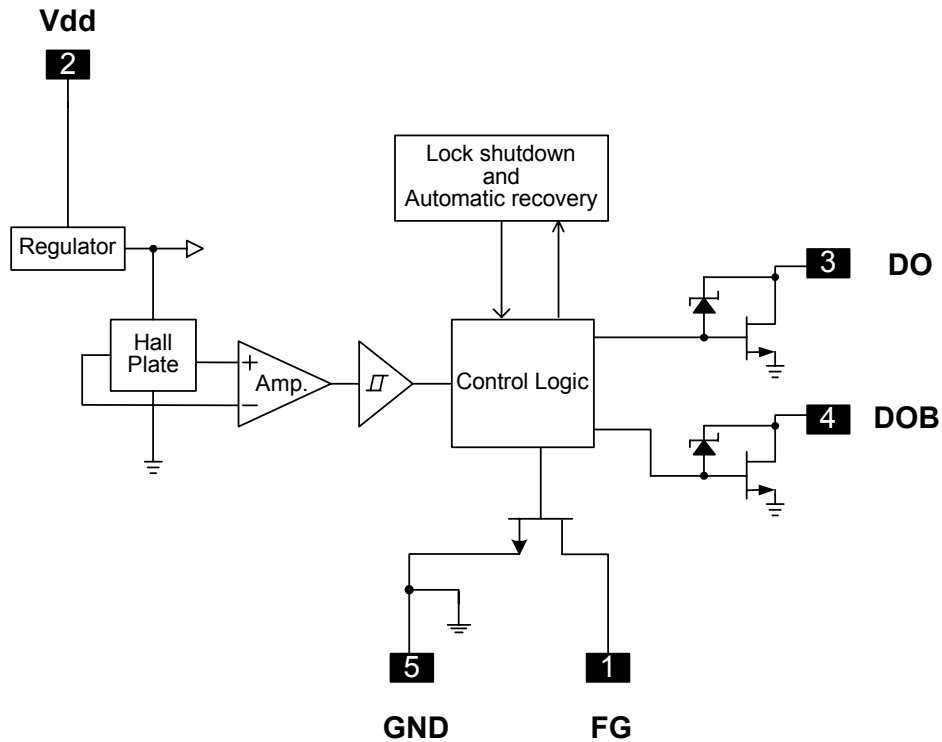
### ■ Pin Descriptions

Symbol	Description
FG	Frequency generation
Vdd	Input power
DO	Output pin
DOB	Output pin
GND	Ground

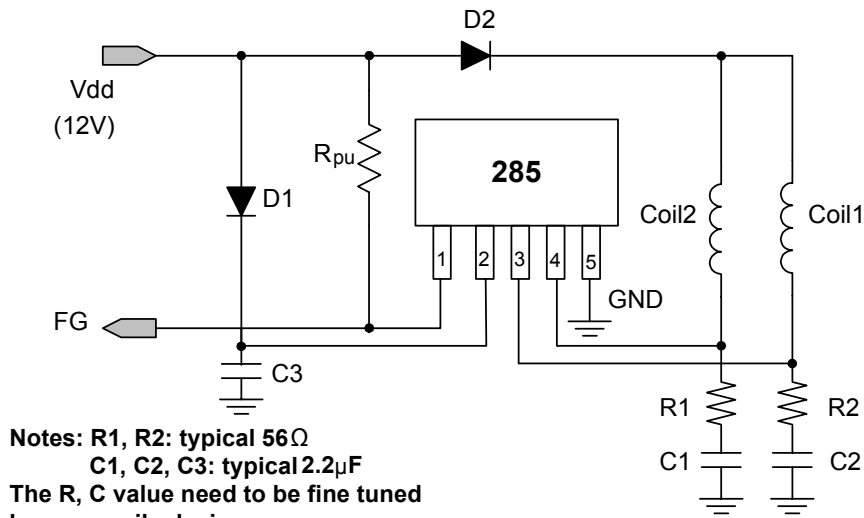
### ■ Ordering Information



### ■ Block Diagram (SIP5)



### ■ Typical Application Circuit (SIP5)



12V DC Brush-less Fan with FG output function

## Hall-Effect Smart Fan Motor Controller

### ■ Absolute Maximum Ratings (Ta = 25°C)

Characteristics	Symbol	Rating	Unit
Supply Voltage	Vdd	24	V
Output Current	I <sub>O(AVE)</sub>	SIP5/SOT89-5	500
		SOT23-5	400
	I <sub>O(PEAK)</sub>	700	
Power Dissipation	P <sub>D</sub>	SIP5	550
		SOT23-5	230
		SOT89-5	800
Operating Temperature	T <sub>opr</sub>	-40 ~ 100	°C
Storage Temperature	T <sub>stg</sub>	-55 ~ 150	°C
Maximum Junction Temp.	T <sub>j</sub>	150	°C
Thermal Resistance	θ <sub>jc</sub>	SIP5	227
		SOT23-5	543
		SOT89-5	156

### ■ Electrical Characteristics (Ta = 25 °C, Vdd = 12V, unless otherwise notice)

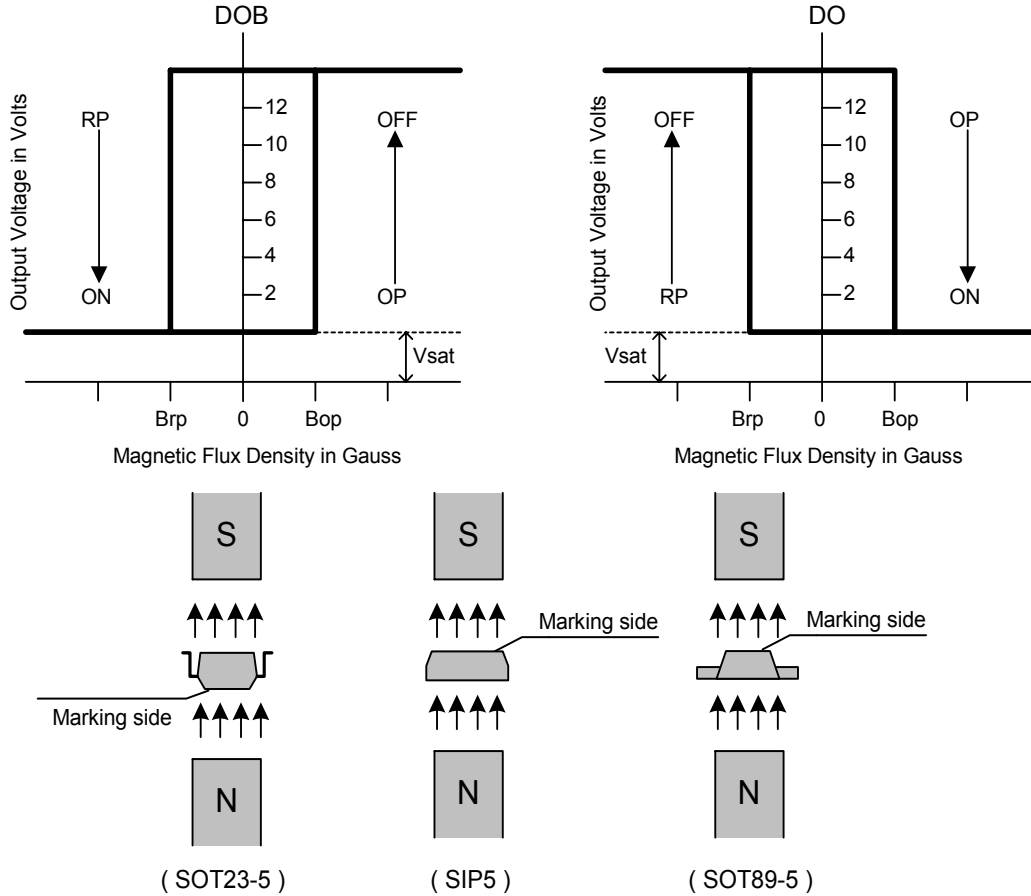
Characteristics	Symbol	Conditions	Min.	Typ.	Max.	Unit
Supply Voltage	Vdd	Operating	3.8	-	20	V
Supply current	I <sub>dd</sub>	Operating	-	2	4	mA
Output Leakage Current	I <sub>off</sub>	V <sub>OUT</sub> =24V	-	< 0.1	10	µA
Locked Protection On	T <sub>lrp-on</sub>		0.4	0.5	0.6	Sec
Locked Protection Off	T <sub>lrp-off</sub>		2.4	3	3.6	Sec
Output saturation voltage	V <sub>OUT(sat)</sub>	I <sub>O</sub> =300mA	-	375	500	mV
		I <sub>O</sub> =500mA	-	625	900	
Output On resistance	R <sub>ds(on)</sub>	I <sub>O</sub> =300mA	-	1.25	1.67	ohm
FG output V <sub>ds</sub>	V <sub>ol</sub>	I <sub>O</sub> =10mA	-	0.5	-	V
Output Zener-breakdown Voltage	V <sub>z</sub>		35	42	60	V

### ■ Magnetic Characteristics (Ta = 25 °C, Vdd = 12V, unless otherwise specified)

(1mT=10 Gauss)

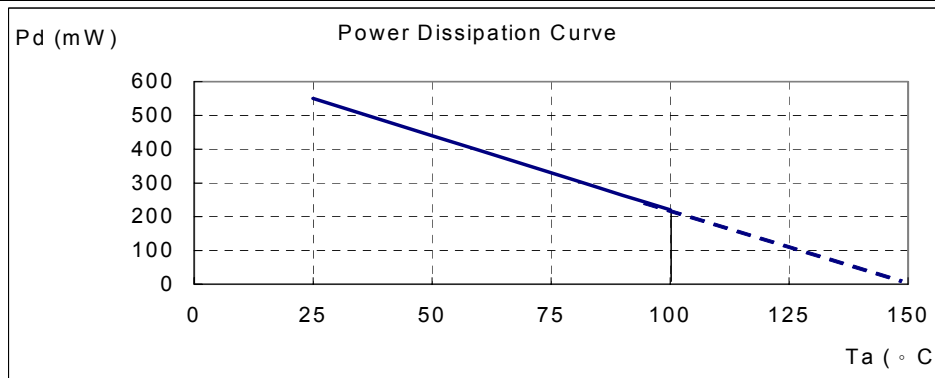
Characteristics	Symbol	Min.	Typ.	Max.	Unit
Operate Point	B <sub>op</sub>	10	30	60	Gauss
Release Point	B <sub>rp</sub>	-60	-30	-10	Gauss
Hysteresis	B <sub>hy</sub>	-	60	-	Gauss

### ■ Operating Characteristics



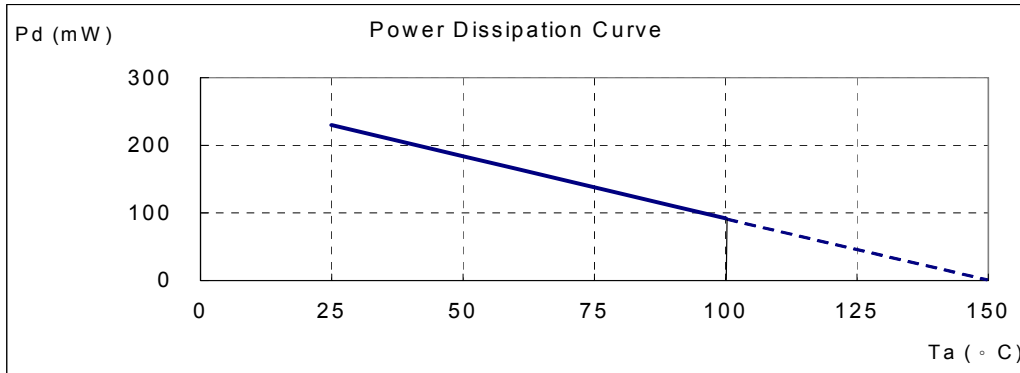
### ■ Performance Characteristics (SIP5)

<b>Ta (°C)</b>	<b>25</b>	<b>50</b>	<b>60</b>	<b>70</b>	<b>80</b>	<b>85</b>	<b>90</b>	<b>95</b>	<b>100</b>
Pd (mW)	550	440	396	352	308	286	264	242	220
<b>Ta (°C)</b>	<b>105</b>	<b>110</b>	<b>115</b>	<b>120</b>	<b>125</b>	<b>130</b>	<b>135</b>	<b>140</b>	<b>150</b>
Pd (mW)	198	176	154	132	110	88	66	44	0



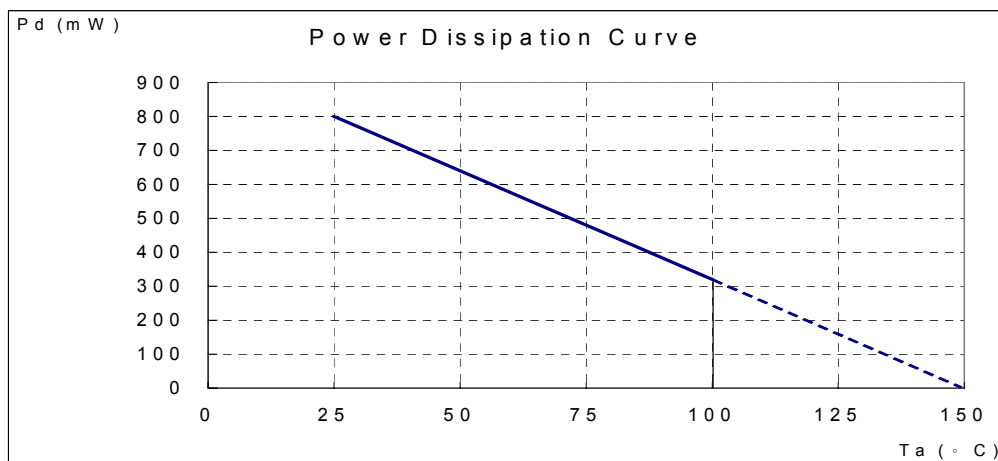
### ■ Performance Characteristics (SOT23-5)

Ta (°C)	25	50	60	70	80	90	100	110	120	130	140	150
Pd (mW)	230	184	166	147	129	110	92	74	55	37	18	0



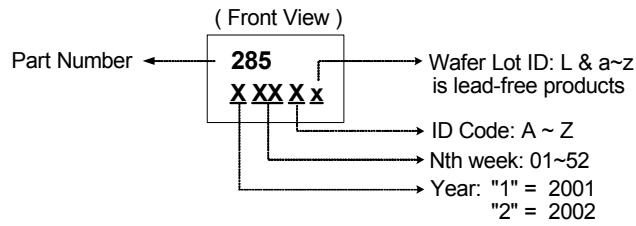
### ■ Performance Characteristics (SOT89-5)

Ta (°C)	25	50	60	70	75	80	85	90	95	100
Pd (mW)	800	640	576	512	480	448	416	384	352	320
Ta (°C)	105	110	115	120	125	130	135	140	145	150
Pd (mW)	288	256	224	192	160	128	96	64	32	0

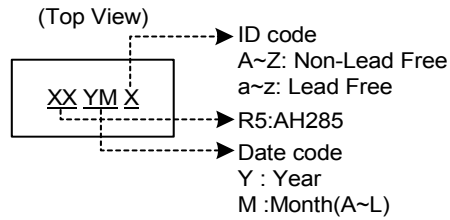


### ■ Marking Information

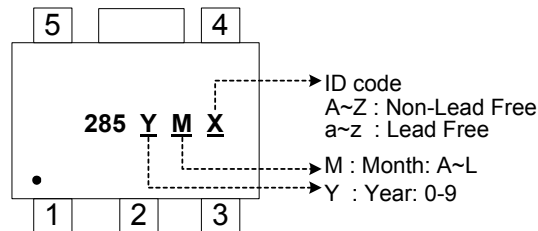
#### (1)SIP-5L



#### (2)SOT23-5L

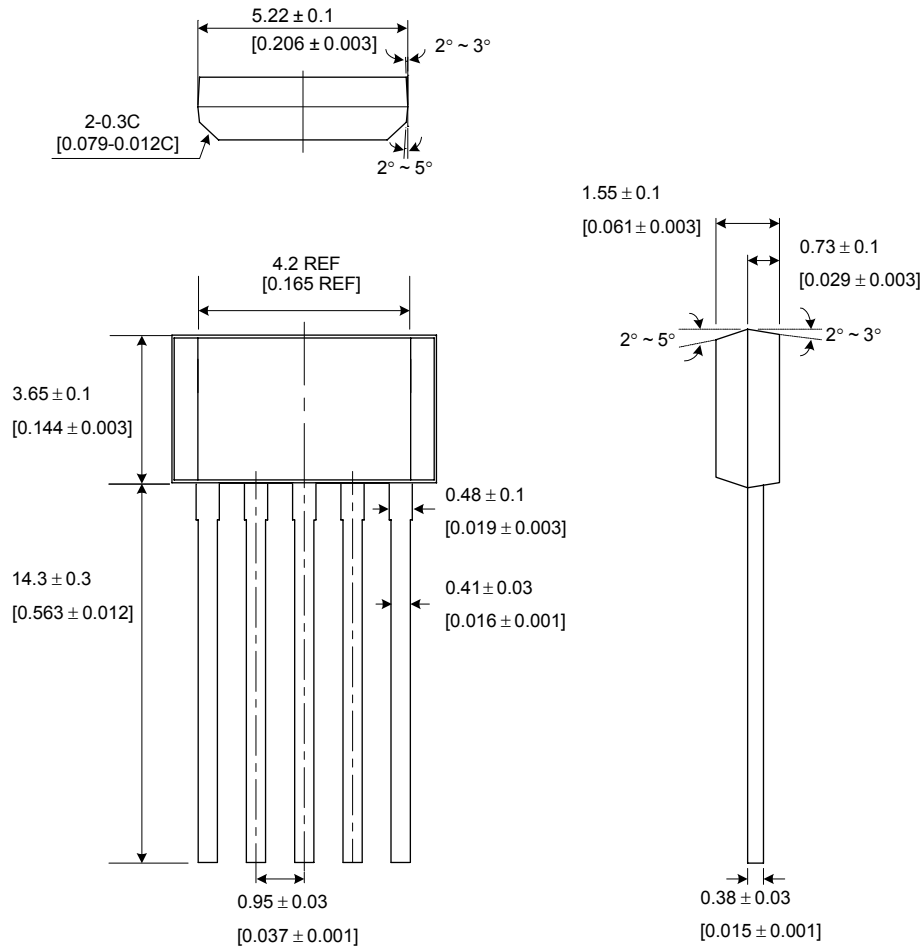


#### (3)SOT89-5L

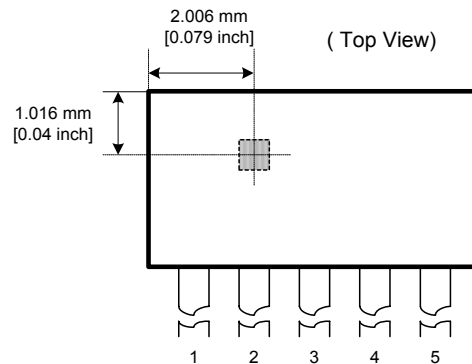


### ■ Package Information

(1) Package type: SIP-5L (unit: mm / [inch])

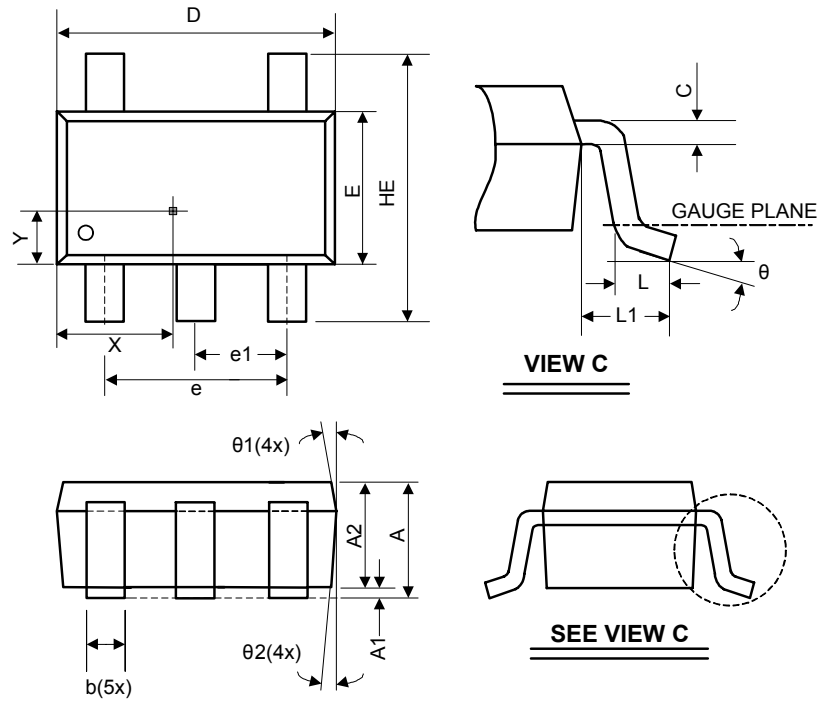


### ■ Location of Sensing Point



## Hall-Effect Smart Fan Motor Controller

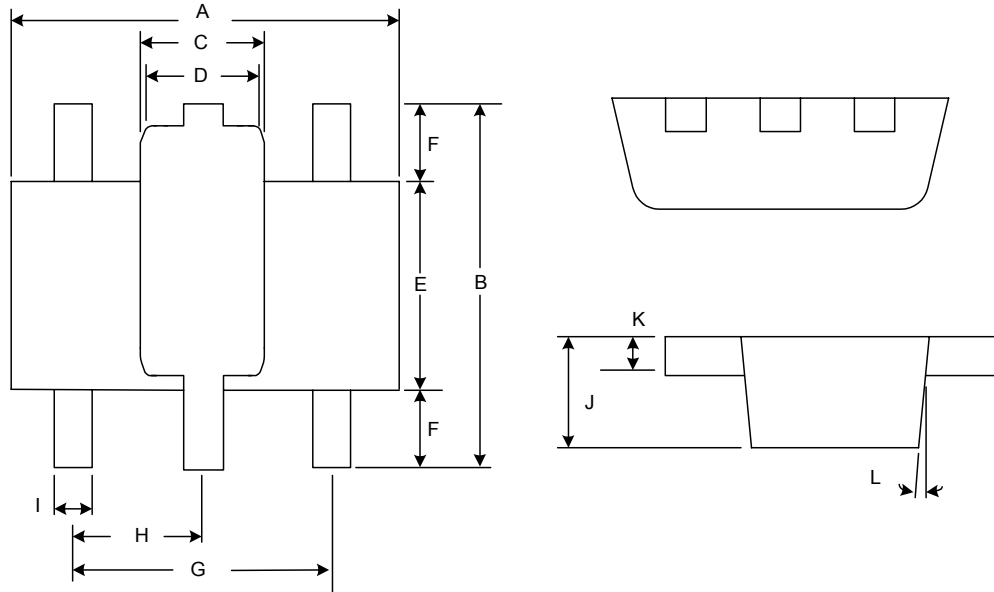
### (2) SOT23-5L



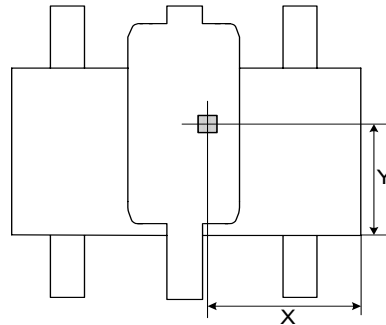
Symbol	Dimensions In Millimeters			Dimensions In Inches		
	Min.	Nom.	Max.	Min.	Nom.	Max.
A	1.05	-	1.35	0.041	-	0.053
A1	0.05	-	0.15	0.002	-	0.006
A2	1.00	1.10	1.20	0.039	0.043	0.047
b	0.25	-	0.50	0.010	-	0.020
C	0.08	-	0.20	0.003	-	0.008
D	2.70	2.90	3.00	0.106	0.114	0.118
E	1.50	1.60	1.70	0.059	0.063	0.067
HE	2.60	2.80	3.00	0.102	0.110	0.118
L	0.30	-	0.60	0.012	-	0.024
L1	0.50	0.60	0.70	0.020	0.024	0.028
e	1.80	1.90	2.00	0.071	0.075	0.079
e1	0.85	0.95	1.05	0.033	0.037	0.041
$\theta$	0°	5°	10°	0°	5°	10°
$\theta_1$	3°	5°	7°	3°	5°	7°
$\theta_2$	6°	8°	10°	6°	8°	10°
X	-	1.067	-	-	0.042	-
Y	-	0.432	-	-	0.017	-



### (3) Package type: SOT89-5L



### Package Sensor Location



Symbol	Dimensions In Millimeters			Dimensions In Inches		
	Min.	Nom.	Max.	Min.	Nom.	Max.
A	4.40	4.50	4.60	0.173	0.177	0.181
B	4.05	4.15	4.25	0.159	0.163	0.167
C	1.50	1.60	1.70	0.059	0.063	0.067
D	1.30	1.40	1.50	0.051	0.055	0.059
E	2.40	2.50	2.60	0.094	0.098	0.102
F	0.80	-	-	0.031	-	-
G	3.00 Ref.			0.118 Ref.		
H	1.50 Ref.			0.059 Ref.		
I	0.40	0.46	0.52	0.016	0.018	0.020
J	1.40	1.50	1.60	0.055	0.059	0.063
K	0.35	0.39	0.43	0.014	0.015	0.017
L	5° Typ.			5° Typ.		
X	-	1.90	-	-	0.075	-
Y	-	1.65	-	-	0.065	-